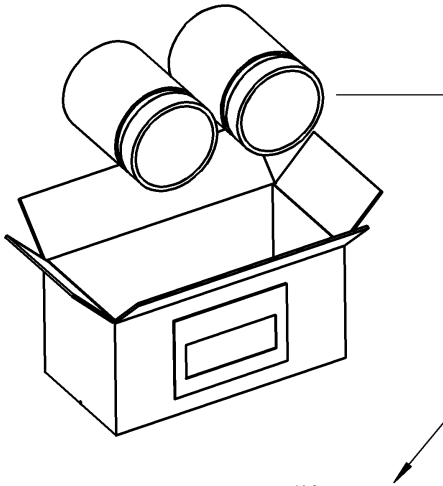
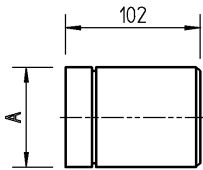


Content :2 counterpipes for welding onto fieldpiping



	Weight
EKGN210	2.0 kg
EKGN260	2.5 kg

Box : 200 x 100 x 100



\* Material : Blank steel  
\* Ps = 10 bar

	Ø	A
EKGN210	3" OD	76.1
EKGN260	3"	88.9

EWA/YQ080DAYN*	3" OD
EWA/YQ100DAYN*	
EWA/YQ130DAYN*	
EWA/YQ150DAYN*	
EWA/YQ180DAYN*	
EWA/YQ210DAYN*	3"
EWAQ240DAYN*	
EWAQ260DAYN*	
EWYQ230DAYN*	
EWYQ250DAYN*	

Mounting instructions :

