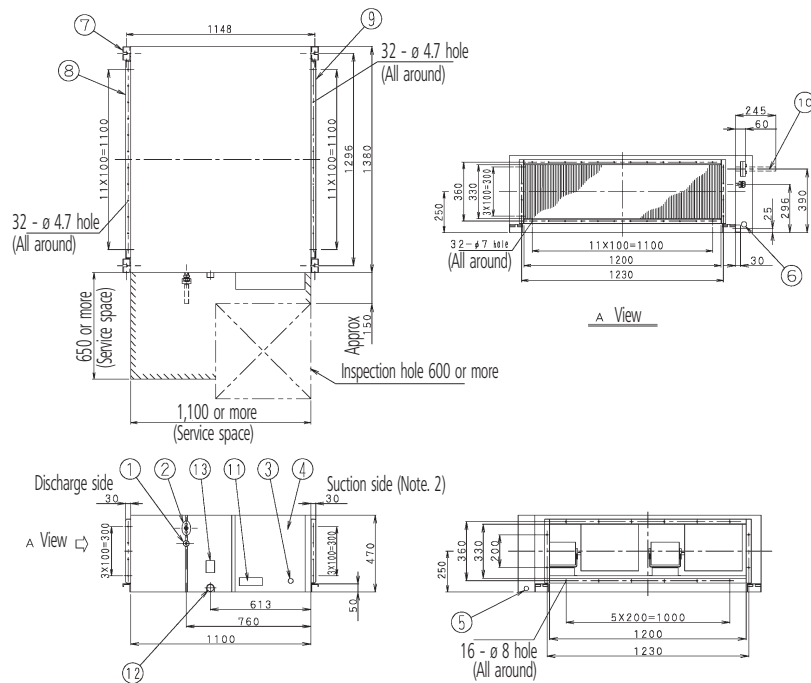


FXMQ200,250MA



Piping size (field supply)

Model	Gas	Liquid
FXMQ200MA	\varnothing 19.1 attached piping	\varnothing 9.5
FXMQ250MA	\varnothing 22.2 attached piping	\varnothing 9.5

Nr	Part name	Description
1	Liquid pipe connection	Flare connection
2	Gas pipe connection	Attendant piping connection
3	Ground terminal	M5 (Inside switch box)
4	Switch box	
5	Power supply wiring connection	
6	Transmission wiring connection	
7	Hook	M10
8	Discharge companion flange	
9	Suction flange	
10	Attached piping	Brazing
11	Name plate	
12	Drain piping connection	PS1B Internal thread VP25 (O.D. \varnothing 33.349, I.D. \varnothing 30.391)
13	Water supply port	

NOTES

- 1 Location of unit's name plate: switch box surface.
- 2 Mount the air filter at the suction side. (Select its color/method (gravity method) 50% or more).

3D038851