



# technical data

Indoor units

FTX-JV1B

air conditioning systems

**R-410A**



# technical data

Indoor units

FTX-JV1B

air conditioning systems

**R-410A**

# TABLE OF CONTENTS

## FTX-JV1B

1	Features .....	2
2	Specifications .....	3
	Technical Specifications .....	3
	Electrical Specifications .....	4
3	Dimensional drawing & centre of gravity .....	5
	Dimensional drawing .....	5
	Centre of gravity .....	6
4	Piping diagram .....	7
5	Wiring diagram .....	8
	Wiring diagram .....	8
6	Sound data .....	9
	Sound pressure spectrum .....	9

# 1 Features

- Energy saving during standby mode: reduction of energy from 10W to 2W
- Energy efficient units: full range A class energy labels
- ECONO mode decreases power consumption so that other appliances that need large power supply can be used
- Night set mode saves energy by preventing overcooling or overheating during night time
- Comfort mode guarantees draught free operation
- Powerful mode can be selected for rapid cooling or heating
- Whisper quiet operation: down to 22 dBA sound pressure level
- Indoor unit silent operation: "Silent" button on the remote control lowers the operation sound of the indoor unit by 3dBA
- Titanium apatite photocatalytic air purification filter absorbs microscopic particles, decomposes odours and even deactivates bacteria and viruses
- Vertical auto-swing function moves the discharge flaps up and down for efficient air distribution throughout the room



## 2 Specifications

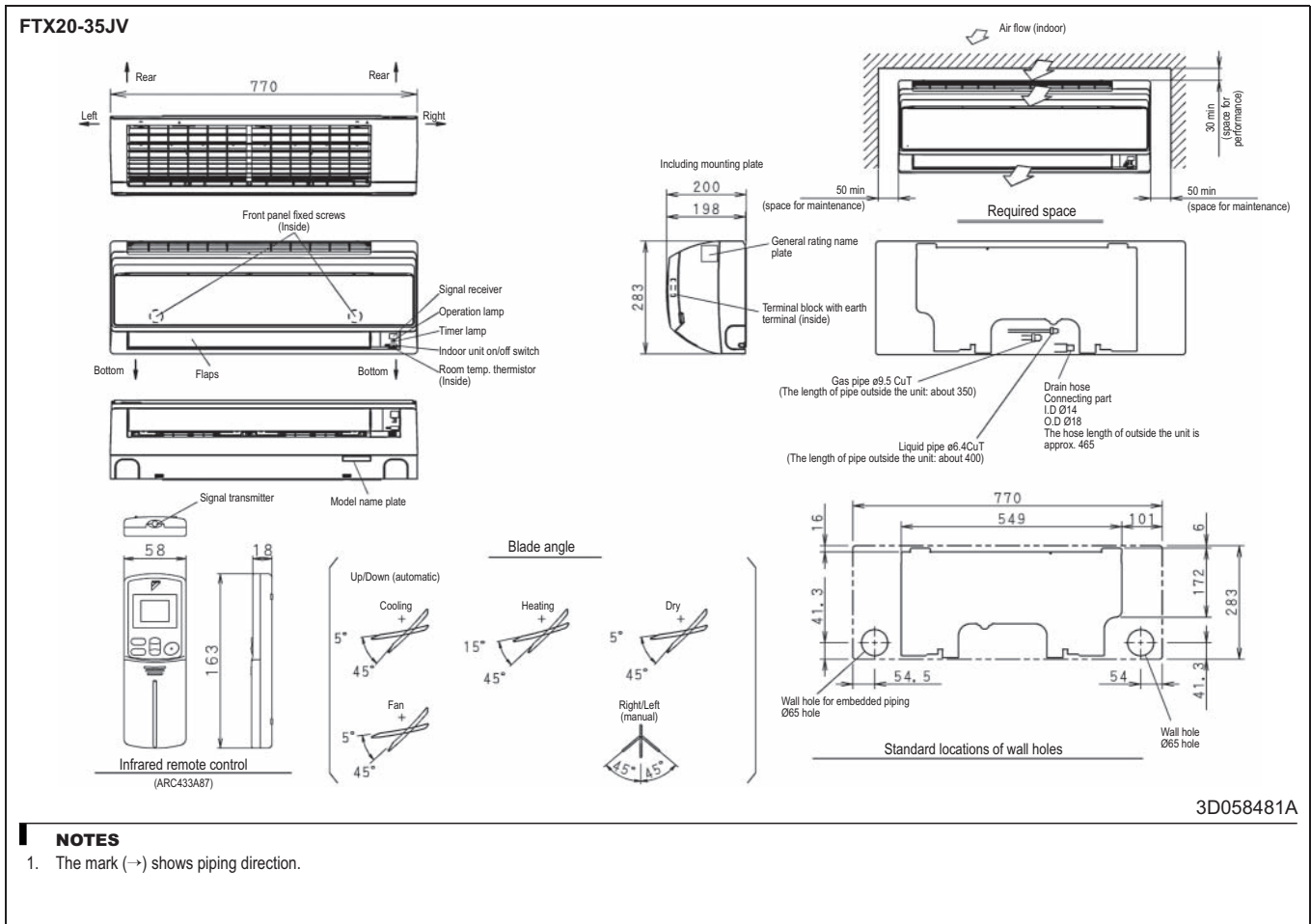
2-1 TECHNICAL SPECIFICATIONS				FTX20JV1B		FTX25JV1B		FTX35JV1B	
Air direction control				Right, Left, Horizontal, Downward					
Air filter				Removable / washable / Mildew proof					
Casing		Colour		White					
Dimensions	Packing	Height	mm	344					
		Width	mm	840					
		Depth	mm	263					
	Unit	Height	mm	283					
		Width	mm	770					
		Depth	mm	198					
Weight	Unit		kg	7					
	Packed Unit		kg	11					
Heat Exchanger	Length		mm	610					
	Nr of Rows			2					
	Fin Pitch		mm	1.4					
	Nr of Stages			14					
	Tube type			Hi-XA (7)					
	Fin	Type		ML fin (Multi louvre)					
Fan		Type		Cross flow fan					
Air Flow Rate	Cooling	High	m <sup>3</sup> /min	9.1	9.2	9.3			
		Nominal	m <sup>3</sup> /min	7.4	7.6	7.7			
		Low	m <sup>3</sup> /min	5.9	6.0	6.1			
		Silent Operation	m <sup>3</sup> /min	4.7	4.8	4.9			
	Heating	High	m <sup>3</sup> /min	9.4	9.7	10.1			
		Nominal	m <sup>3</sup> /min	7.8	8.0	8.4			
		Low	m <sup>3</sup> /min	6.3		6.7			
		Silent Operation	m <sup>3</sup> /min	5.5		5.7			
	Cooling	High	cfm	321	325	328			
		Nominal	cfm	261	268	272			
		Low	cfm	208	212	215			
		Silent Operation	cfm	166	169	173			
	Heating	High	cfm	331	342	356			
		Nominal	cfm	276	283	295			
		Low	cfm	222		235			
		Silent Operation	cfm	194		201			
Fan	Motor	Model		MM6C02J2V					
		Number of steps		5 + silent, + auto					
Motor	Speed (cooling)	High	rpm	1,210	1,250	1,300			
		Medium	rpm	990	1,030	1,070			
		Low	rpm	780	820	850			
		Silent Operation	rpm	630		680			
	Speed (heating)	High	rpm	1,260	1,300	1,340			
		Medium	rpm	1,090	1,110	1,150			
		Low	rpm	920		960			
		Silent Operation	rpm	820		850			
Fan	Motor	Output (high)	W	16					
Cooling	Sound Power	High	dBA	55	56	57			
		Sound Pressure	High	dBA	39	40	41		
	Sound Pressure	Nominal	dBA	33		34			
		Low	dBA	25	26	27			
		Silent Operation	dBA	22		23			
Heating	Sound Power	High	dBA	55	56	57			
		Sound Pressure	High	dBA	39	40	41		
	Sound Pressure	Nominal	dBA	34		35			
		Low	dBA	28		29			
		Silent Operation	dBA	25		26			
Power input	Cooling	Nominal	Kw	0.040					
	Heating	Nominal	Kw	0.040					
Temperature control				Microcomputer control					

## 2 Specifications

2-2 ELECTRICAL SPECIFICATIONS			FTX20JV1B	FTX25JV1B	FTX35JV1B
Power Supply	Name		V1		
	Phase		1~		
	Frequency	Hz	50		
	Voltage	V	220-230-240		
Wiring connections	For Power Supply	Quantity	3	3	3
		Remark	4 for interunit wiring	4 for interunit wiring (Earth wire included)	

### 3 Dimensional drawing & centre of gravity

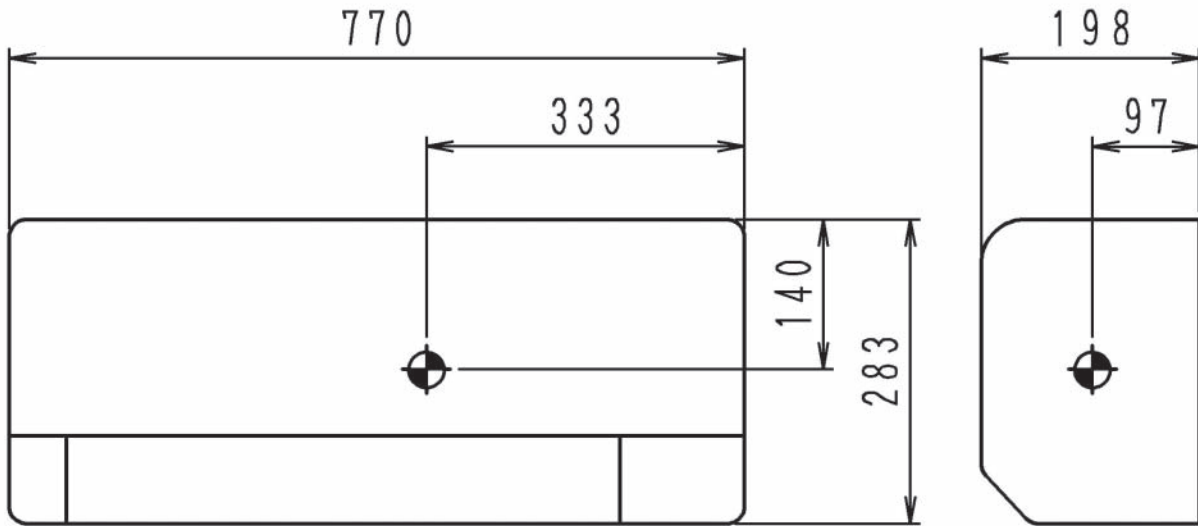
#### 3 - 1 Dimensional drawing



### 3 Dimensional drawing & centre of gravity

#### 3 - 2 Centre of gravity

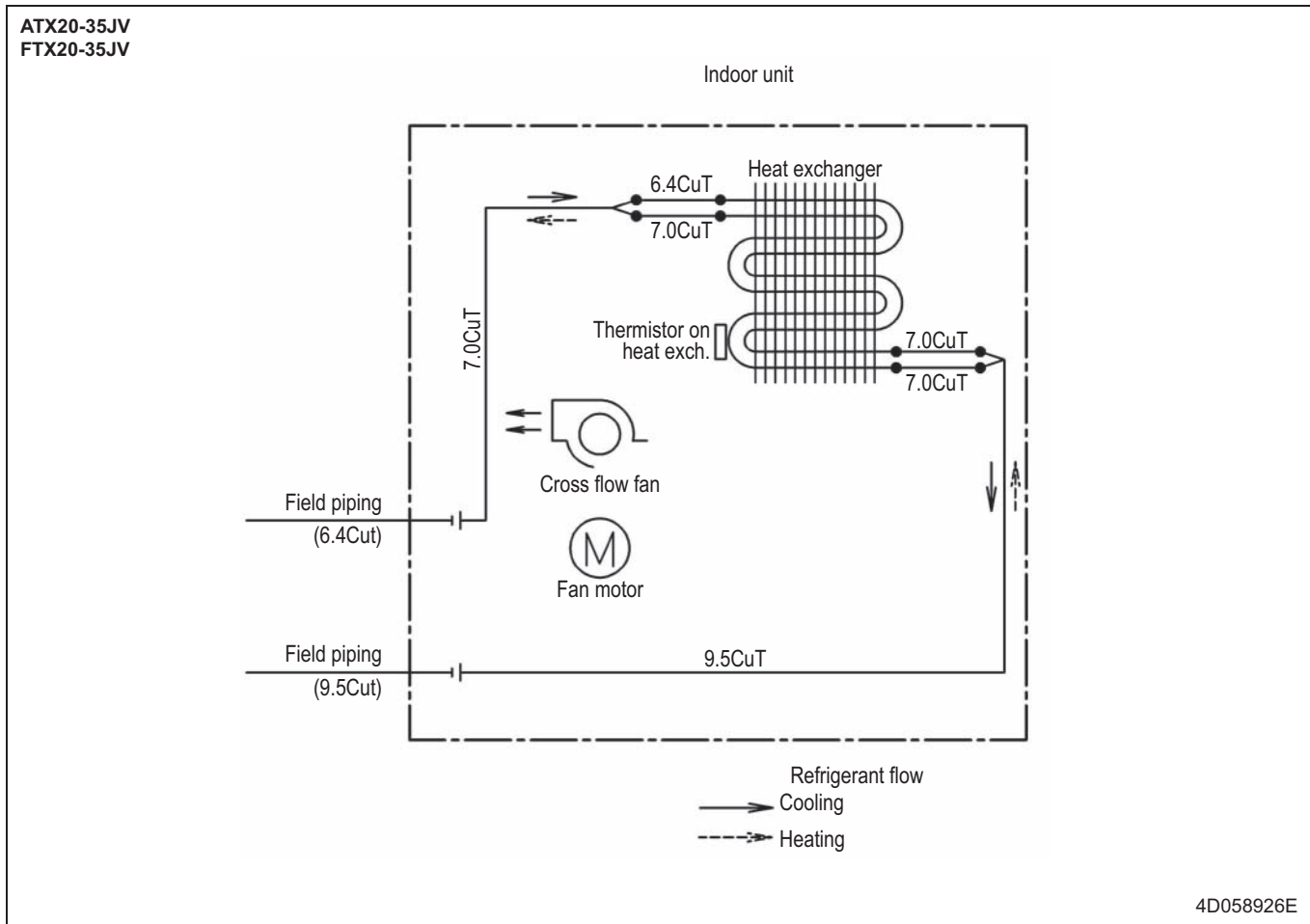
ATX20-35JV  
FTX20-35JV



4D059099C

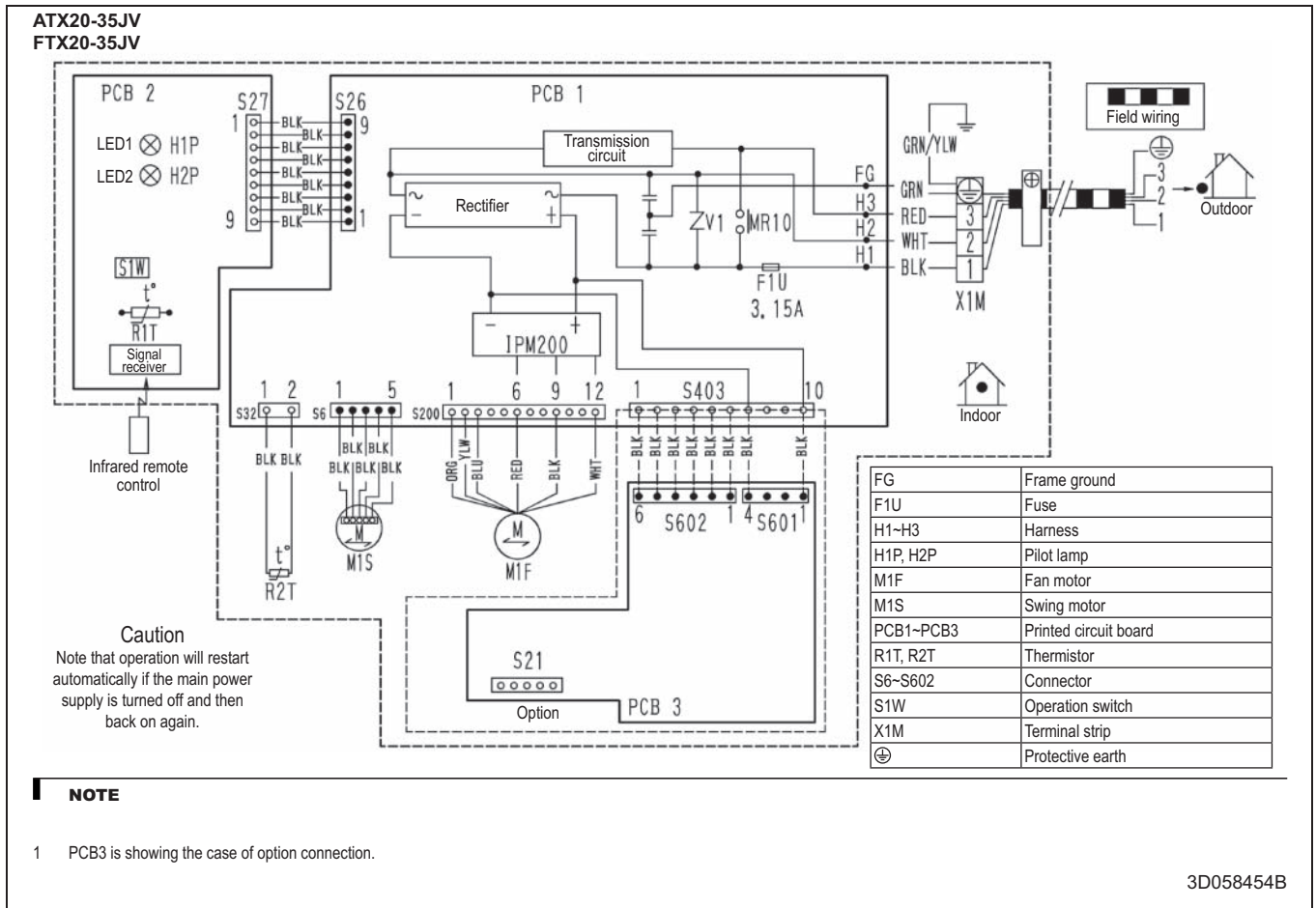


## 4 Piping diagram



# 5 Wiring diagram

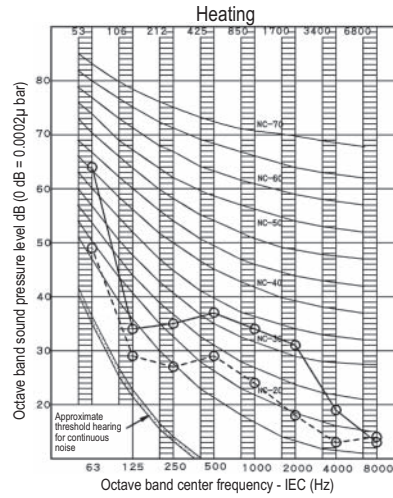
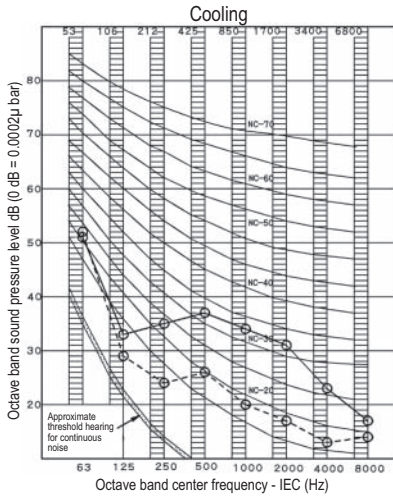
## 5 - 1 Wiring diagram



# 6 Sound data

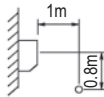
## 6 - 1 Sound pressure spectrum

ATX20JV  
FTX20JV



**NOTES**

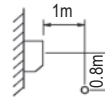
- Over All (dB): (B,G,N is already rectified)
- Measuring place: measure in anechoic room.
- Operation noise differs with operation and ambient conditions.
- Location of microphone. JISC9612  
The operation noise measuring method is in accordance with JISC9612



Scale	50Hz 230V	
	H	L
A	39	25

**NOTES**

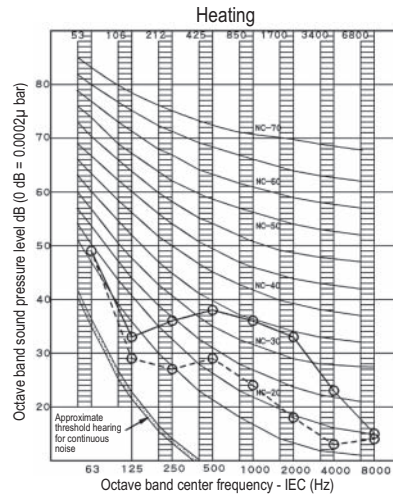
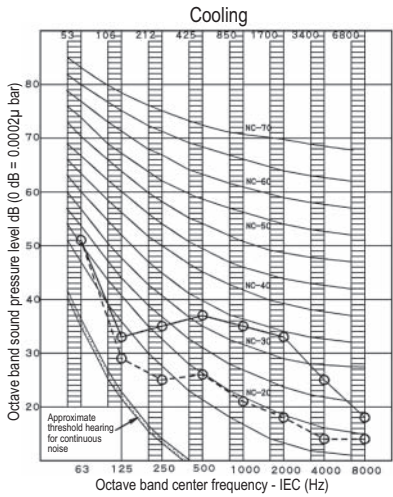
- Over All (dB): (B,G,N is already rectified)
- Measuring place: measure in anechoic room.
- Operation noise differs with operation and ambient conditions.
- Location of microphone. JISC9612  
The operation noise measuring method is in accordance with JISC9612



Scale	50Hz 230V	
	H	L
A	39	28

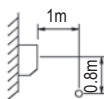
3D058955A

ATX25JV  
FTX25JV



**NOTES**

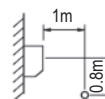
- Over All (dB): (B,G,N is already rectified)
- Measuring place: measure in anechoic room.
- Operation noise differs with operation and ambient conditions.
- Location of microphone. JISC9612  
The operation noise measuring method is in accordance with JISC9612



Scale	50Hz 230V	
	H	L
A	40	26

**NOTES**

- Over All (dB): (B,G,N is already rectified)
- Measuring place: measure in anechoic room.
- Operation noise differs with operation and ambient conditions.
- Location of microphone. JISC9612  
The operation noise measuring method is in accordance with JISC9612



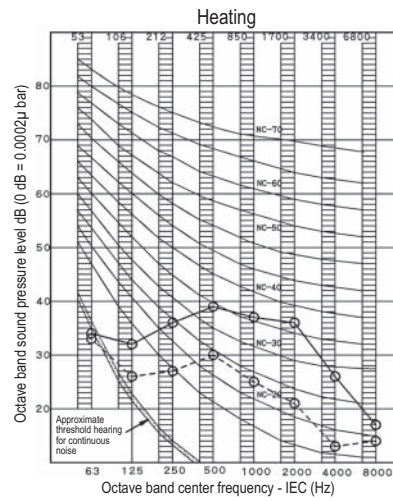
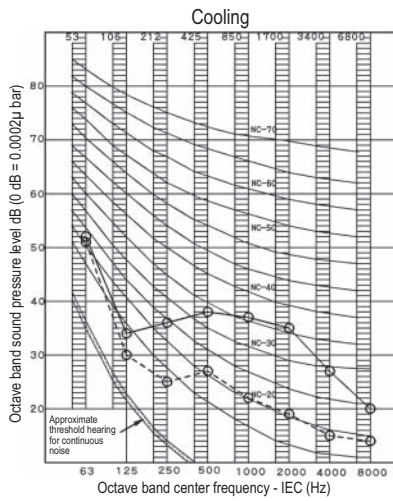
Scale	50Hz 230V	
	H	L
A	40	28

3D058956A

## 6 Sound data

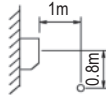
### 6 - 1 Sound pressure spectrum

ATX35JV  
FTX35JV



**NOTES**

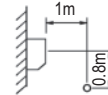
- 1 Over All (dB):  
(B,G,N is already rectified)
- 2 Measuring place: measure in anechoic room.
- 3 Operation noise differs with operation and ambient conditions.
- 4 Location of microphone.  
JISC9612  
The operation noise measuring method is in accordance with JISC9612



Scale	50Hz 230V	
	H	L
A	41	27

**NOTES**

- 1 Over All (dB):  
(B,G,N is already rectified)
- 2 Measuring place: measure in anechoic room.
- 3 Operation noise differs with operation and ambient conditions.
- 4 Location of microphone.  
JISC9612  
The operation noise measuring method is in accordance with JISC9612



Scale	50Hz 230V	
	H	L
A	41	29

3D058957A

In all of us,  
a green heart



Daikin's unique position as a manufacturer of air conditioning equipment, compressors and refrigerants has led to its close involvement in environmental issues. For several years Daikin has had the intention to become a leader in the provision of products that have limited impact on the environment. This challenge demands the eco design and development of a wide range of products and an energy management system, resulting in energy conservation and a reduction of waste.



Daikin Europe N.V. is approved by LRQA for its Quality Management System in accordance with the ISO9001 standard. ISO9001 pertains to quality assurance regarding design, development, manufacturing as well as to services related to the product.



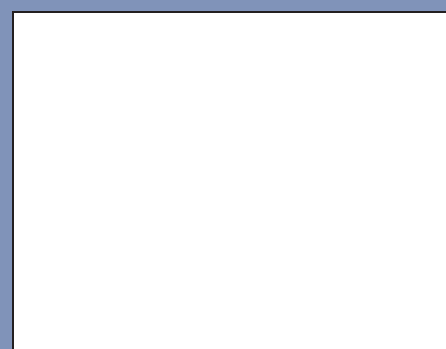
ISO14001 assures an effective environmental management system in order to help protect human health and the environment from the potential impact of our activities, products and services and to assist in maintaining and improving the quality of the environment.



Daikin units comply with the European regulations that guarantee the safety of the product.

VRV® products are not within the scope of the Eurovent certification programme.

The present publication is drawn up by way of information only and does not constitute an offer binding upon Daikin Europe N.V.. Daikin Europe N.V. has compiled the content of this publication to the best of its knowledge. No express or implied warranty is given for the completeness, accuracy, reliability or fitness for particular purpose of its content and the products and services presented therein. Specifications are subject to change without prior notice. Daikin Europe N.V. explicitly rejects any liability for any direct or indirect damage, in the broadest sense, arising from or related to the use and/or interpretation of this publication. All content is copyrighted by Daikin Europe N.V..



## DAIKIN EUROPE N.V.

Naamloze Vennootschap  
Zandvoordestraat 300  
B-8400 Oostende, Belgium  
www.daikin.eu  
BE 0412 120 336  
RPR Oostende