

Installation Manual

Safety Precautions

- Read these Safety Precautions carefully to ensure correct installation. This manual classifies precautions into WARNING and CAUTION.

- WARNING** : Failure to follow WARNING is very likely to result in such grave consequences as death or serious injury.
- CAUTION** : Failure to follow CAUTION may result in serious injury or property damage, and in certain circumstances, may result in a grave consequence.

Be sure to follow all the precautions below ; they are all important for ensuring safety.

WARNING

- Installation should be left to the dealer or another qualified professional.**
Improper installation by yourself may cause malfunction, electrical shock, or fire.
- Install the set according to the instructions given in this manual.**
Incomplete or improper installation may cause malfunction, electrical shock, or fire.
- Be sure to use the standard attachments or the genuine parts.**
Use of other parts may cause malfunction, electrical shock, or fire.
- Disconnect power to the connected equipment before starting installation.**
Failure to do so may cause malfunction, electrical shock, or fire.

CAUTION

- An earth leakage circuit breaker should be installed.**
If the breaker is not installed, electrical shock may occur.
- Do not install the set in a location where there is danger of exposure to inflammable gas.**
Gas accumulated around the unit at the worst may cause fire.
- To prevent damage due to electrostatic discharge, touch your hand to a nearby metal object (doorknob, aluminum sash, etc.) to discharge static electricity from your body before touching this kit.**
Static electricity can damage this kit.
- Lay this cable separately from other power cables to avoid external electrical noises.**
- After installation is complete, test the operation of the PCB set to check for problems, and explain how to use the set to the end-user.**

Outline/Features

This set is an interface that connects a wired remote controller to a room air conditioner.

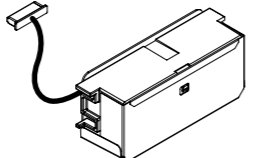
- Starting and stopping the air conditioner and making mode and temperature settings in the air conditioner through the wired remote controller (within a range of 18°C to 32°C while in cooling mode, 14°C to 30°C while in heating mode, but no temperature settings while in ventilation mode).
- Monitoring the operating conditions, occurrence of errors, and contents of errors of the air conditioner through the wired remote controller.
- Restoring the operating condition of the air conditioner to the previous condition at the time of power recovery in case of power failure.

The set does not support the following functions.

- Group control (i.e., the control a number of indoor units through a single remote controller)
- Monitoring of the following items:
Indoor temperature and operating conditions of thermo, compressor, indoor fan, electric heater, and humidifier
- Control of the following items:
Forced thermo OFF, filter sign display and reset, and air-conditioner charge management
- Energy-saving reference, low-noise reference, and demand reference

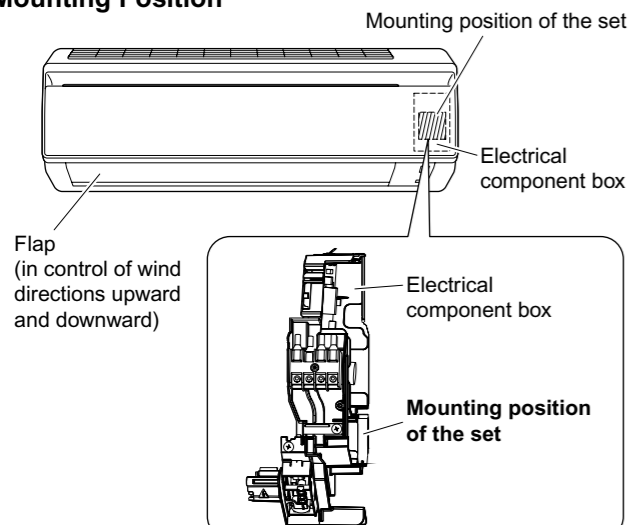
Components

Check that the set is provided with the following components.

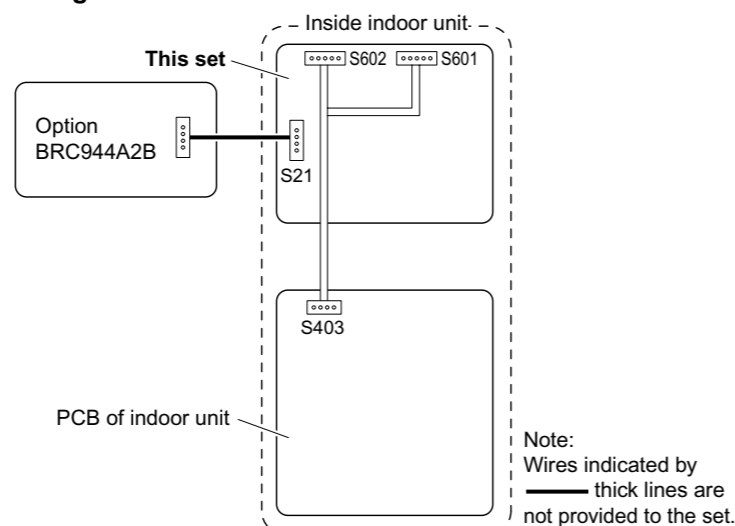
Component	Quantity	Component	Quantity
Main component 	1	Installation Manual	1

Mounting Procedure

Mounting Position



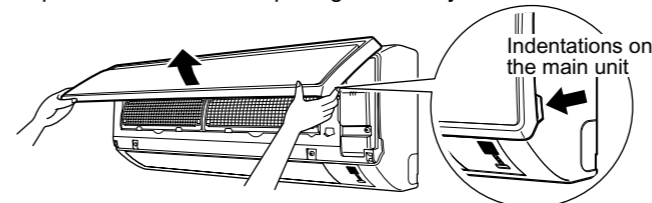
Wiring



Removing and installing front panel

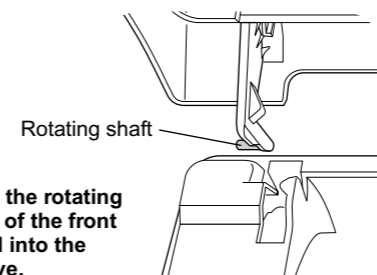
Removal method

- Place your fingers in the indentations on the main unit (one each on the left and right sides), and open the panel until it stops.
- Continue to open the front panel further while sliding the panel to the right and pulling it toward you in order to disengage the rotating shaft on the left side. To disengage the rotating shaft on the right side, slide the panel to the left while pulling it toward you.



Installation method

Align the tabs of the front panel with the grooves, and push all the way in. Then close slowly. Push the center of the lower surface of the panel firmly to engage the tabs.

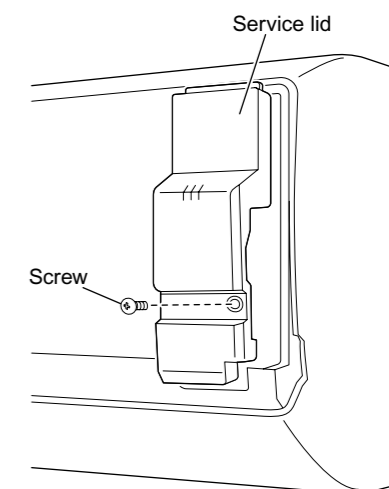


Opening service lid of indoor unit

The service lid is of removable type.

Opening method

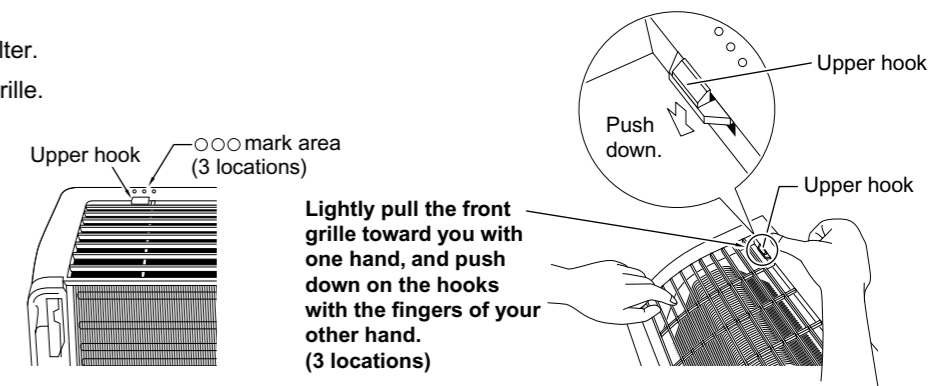
- Remove the single screw of the service lid.
- Pull out the service lid frontward.



Removing and installing front grille

Removal method

- Remove front panel to remove the air filter.
- Remove the screws (2) from the front grille.
- In front of the ○○○ mark of the front grille, there are 3 upper hooks. Lightly pull the front grille toward you with one hand, and push down on the hooks with the fingers of your other hand.

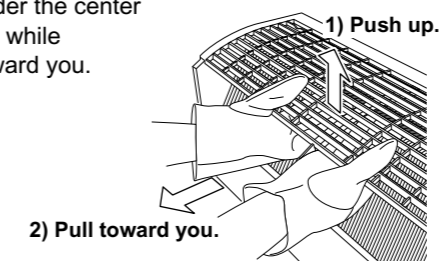


<When there is no work space because the unit is close to ceiling>

CAUTION

Be sure to wear protection gloves.

Place both hands under the center of the front grille, and while pushing up, pull it toward you.



Installation method

- Install the front grille and firmly engage the upper hooks (3 locations).
- Install 2 screws of the front grille.
- Install the air filter and then mount the front panel.

Removing electrical component cover

* Refer to the surface page for the removal of each part in detail.

- *1 Remove the front panel.
- *2 Remove the front grille.
- *3 Remove the service lid of the indoor unit.
- 4 Remove the cover of the electrical component cover.

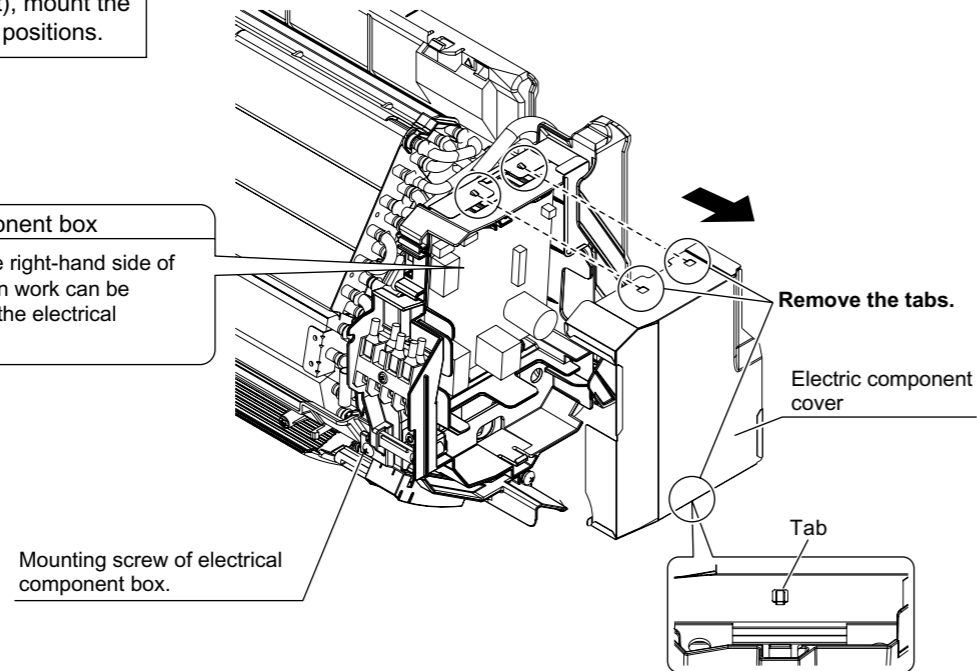
On completion of the connection of the electrical component (this set), mount the removed parts to the original positions.

WARNING

- Be sure to turn OFF the power at the time of installation work. Do not touch any electric parts with the power turned ON. Otherwise, an electric shock may be received.

Electrical component box

If there is a workspace on the right-hand side of the indoor unit, the installation work can be conducted without removing the electrical component box.



Mounting screw of electrical component box.

Removing electrical component box

If there is a workspace on the right-hand side of the indoor unit, the installation work can be conducted without removing the electrical component box.

- 1. Remove the flap (in control of wind directions upward and downward).
- 2. Disconnect the communication wiring (see Fig. 1).
- 3. Disconnect the S200 connector (see Fig. 2).
- 4. Disconnect the heat changer from the thermistor (see Fig. 3).
- 5. Remove the mounting screw of the electrical component box, and remove the electrical component box (see Fig. 1).

On completion of the connection of the electrical component (this set), mount the removed parts to the original positions.

Fig. 1 Positions of communication wiring and mounting screw of electrical component box

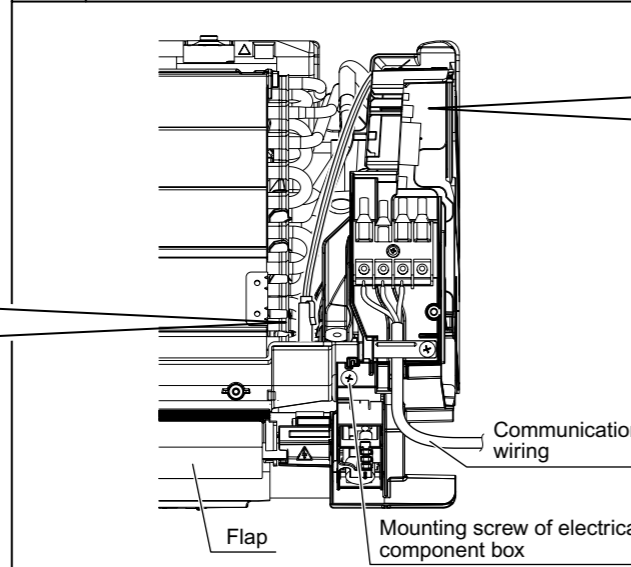


Fig. 2 Position of each connector

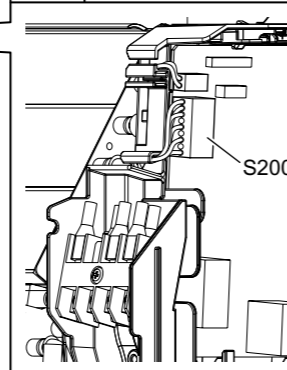
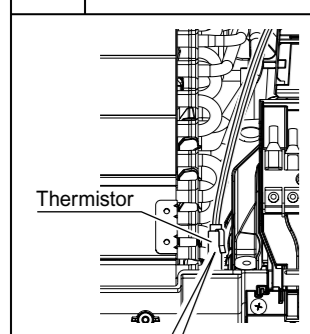


Fig. 3 Position of thermistor



Make sure that the mounting bracket of the thermistor will not fall off.

Connecting electrical component (this set)

- 1. Prepare the electrical component (this set). (See Fig. 1)

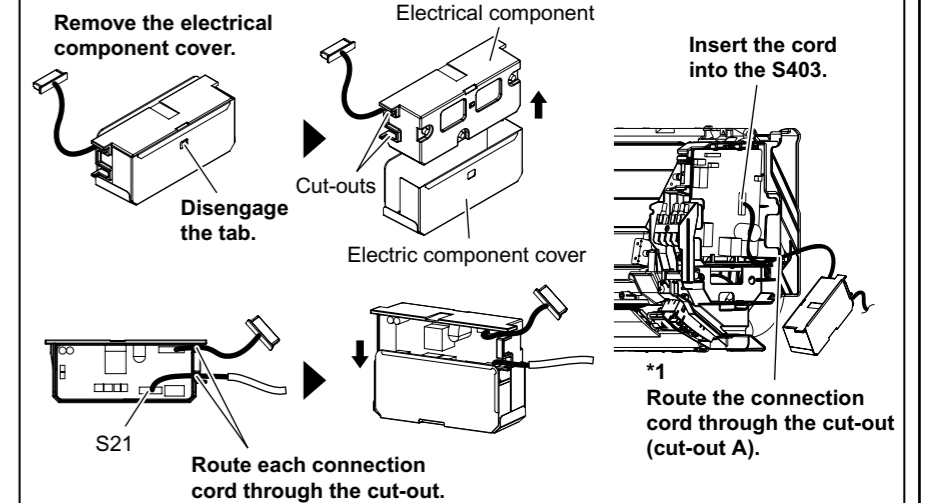
- 1) Remove the electrical component cover of the set.
- 2) Insert the connection cord into the S21 connector (white) of the set.
- 3) Route each connection cord through the cut-out of the set and mount the electrical component cover to the original position.
- 4) Insert the connector of the set into the S403 in the indoor unit electrical component connector. Then route the connection cord to the cut-out (cut-out A) in the indoor unit electrical component.

- 2. Mount the electrical component cover to the original position. (See Fig. 2)

- 3. Mount the set. (See Fig. 2)

- 1) Mount the set to the electrical component box of the indoor unit.
- 2) Route the connection cord as shown in Fig. 2 (Routing connection cord).

Fig. 1 Preparing the electrical component (this set).



*1 Connection cord cut-out

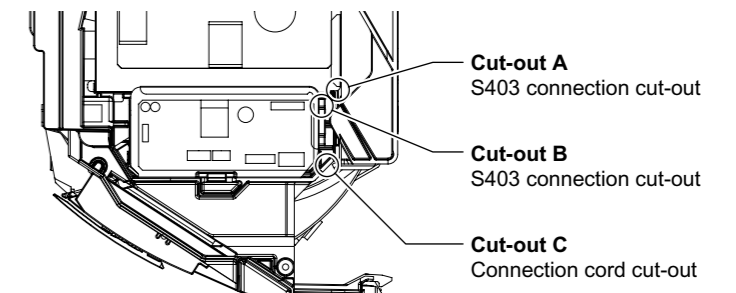
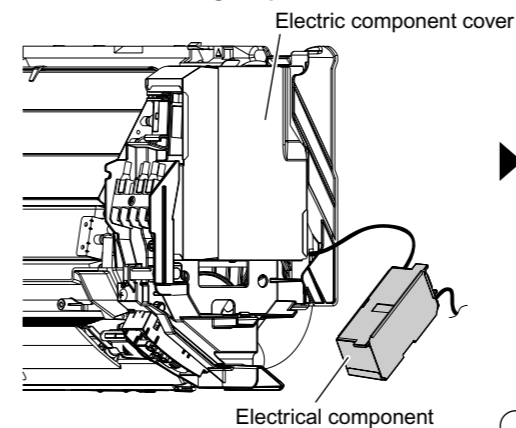
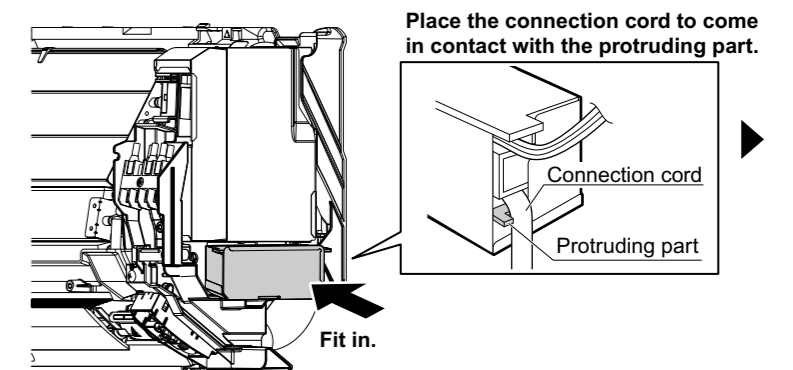


Fig. 2 Installing electrical component

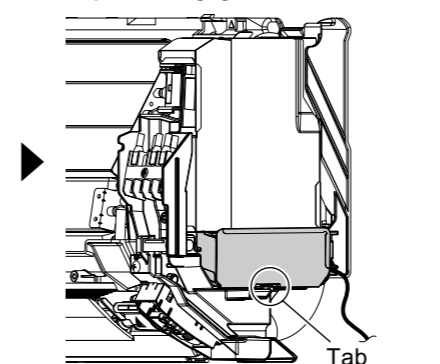
Install the electrical component cover in its original position.



Install the electrical component.



Push the electrical component until it snaps into engagement with the tab.



Routing connection cord

