

DAIKIN

INSTALLATION MANUAL



Installation Manual
Chilled Water Fan Coil Units

English

Installationshandbuch
Kaltwasser-Ventilator Luftkühler

Deutsch

Manuel d'installation
Ventilo-convecteur à eau glacée

Français

Installatiehandboek
Koud Water-Ventilator Luchtkoeler

Nederlands

Manual de instalación
Unidades de serpentín de ventilador de agua fría

Español

Manuale Di Installazione
Unità fan coil ad acqua fredda

Italiano

Εγχειρίδιο εγκατάστασης
Μονάδες πηνίου του ανεμιστήρα για το παγωμένο νερό

Ελληνικά

Manual De Instalação
Unidades de bobina de ventilador de água refrigerante

Português

Руководство По Установке
Вентиляторные доводчики с водяным охлаждением

Русский

Kurulum Kılavuzu
Soğuk su fan bobin üniteleri

Türkçe

MODELS

FWT02CATNMV1

FWT03CATNMV1

FWT04CATNMV1

FWT05CATNMV1

FWT06CATNMV1

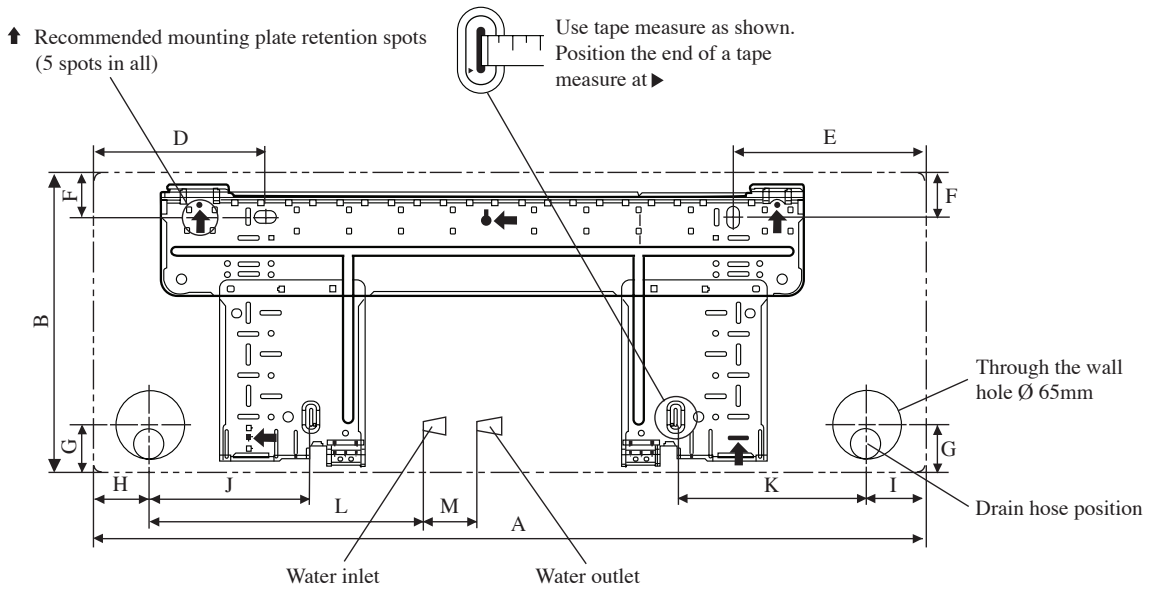
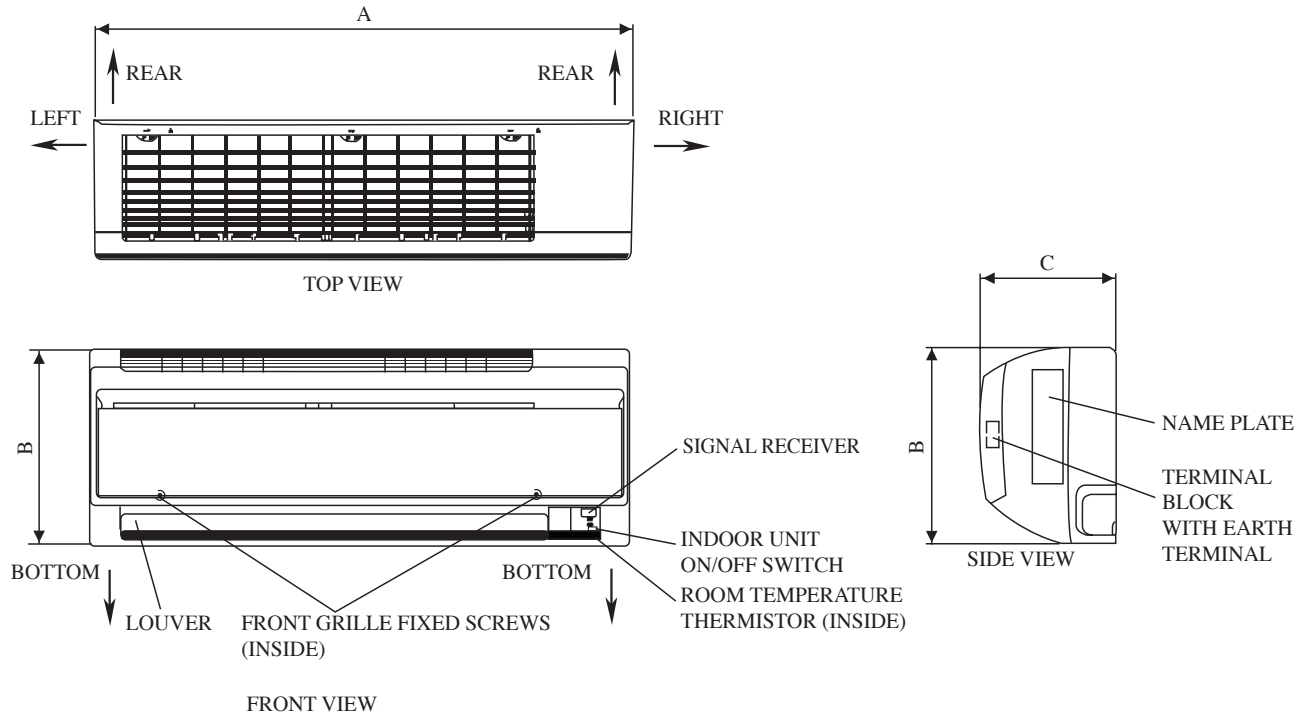


IM-WMJW-0312(0)-DAIKIN (DENV)
Part No.: R08019037507

OUTLINE AND DIMENSIONS

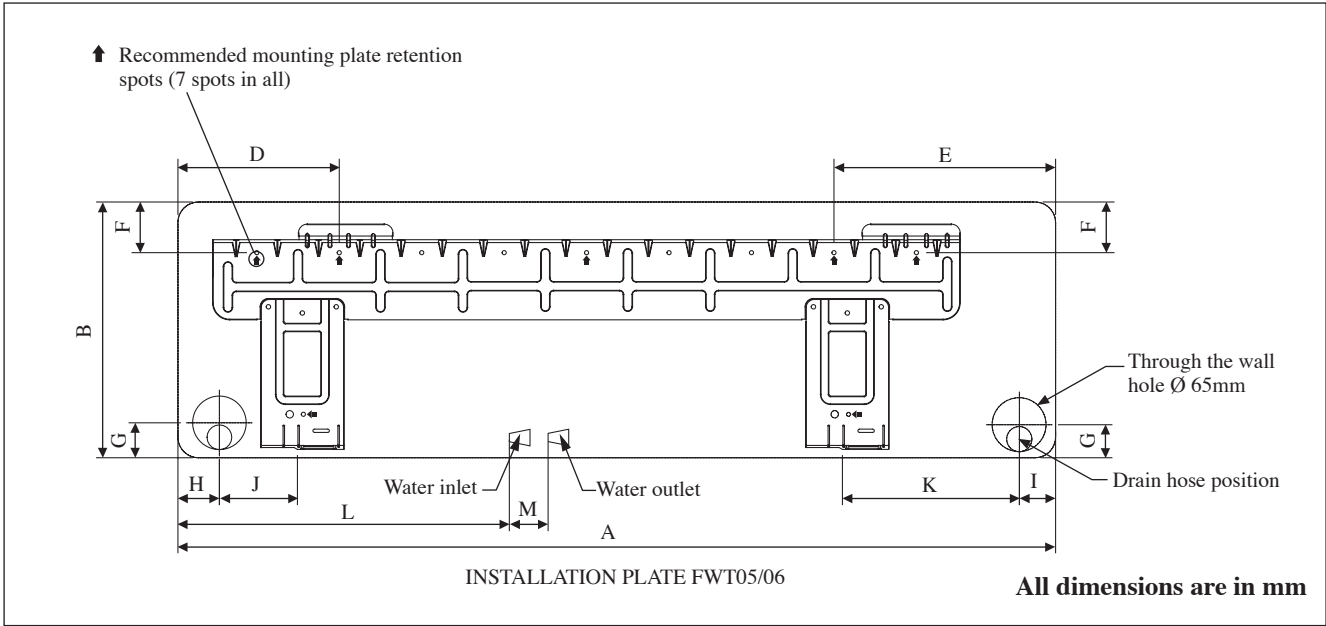
Indoor Unit

THE MARK (→) SHOWS PIPING DIRECTION



INSTALLATION PLATE FWT02/03/04

All dimensions are in mm



Dimension	A	B	C	D	E	F	G	H	I	J	K	L	M
FWT02/03/04	800	288	206	166	184	42	46	55	56	154	182	267	55
FWT05/06	1065	310	224	190	173	61	40	45	48	91	219	593	60

INSTALLATION MANUAL

This manual provides the procedures of installation to ensure a safe and good standard of operation for the air conditioner unit. Special adjustment may be necessary to suit local requirements.

Before using your air conditioner, please read this instruction manual carefully and keep it for future reference. This appliance is intended to be used by expert or trained users in shops, in light industry and on farms, or for commercial use by lay persons.

This appliance is not intended for use by persons, including children, with reduced physical, sensory or mental capabilities, or lack of experience and knowledge, unless they have been given supervision or instruction concerning use of the appliance by a person responsible for their safety.

Children should be supervised to ensure that they do not play with the appliance.



SAFETY PRECAUTIONS

WARNING

- Installation and maintenance should be performed by qualified persons who are familiar with local code and regulation, and experienced with this type of appliance.
- All field wiring must be installed in accordance with the national wiring regulation.
- Ensure that the rated voltage of the unit corresponds to that of the name plate before commencing wiring work according to the wiring diagram.
- The unit must be GROUNDED to prevent possible hazard due to insulation failure.
- All electrical wiring must not touch the refrigerant piping, or any moving parts of the fan motors.
- Confirm that the unit has been switched OFF before installing or servicing the unit.
- Disconnect from the main power supply before servicing the air conditioner unit.
- DO NOT pull out the power cord when the power is ON. This may cause serious electrical shocks which may result in fire hazards.
- Keep the indoor and outdoor units, power cable and transmission wiring, at least 1m from TVs and radios, to prevent distorted pictures and static. {Depending on the type and source of the electrical waves, static may be heard even when more than 1m away}.

CAUTION

Please take note of the following important points when installing.

- **Ensure that the drainage piping is connected properly.**
 -  If the drainage piping is not connected properly, it may cause water leakage which will dampen the furniture.
- **Ensure that the unit's panel is closed after service or installation.**
 -  Unsecured panels will cause the unit to operate noisily.
- **Sharp edges and coil surfaces are potential locations which may cause injury hazards. Avoid from being in contact with these places.**
- **Before turning off the power supply, set the remote controller's ON/OFF switch to the "OFF" position to prevent the nuisance tripping of the unit.** If this is not done, the unit's fans will start turning automatically when power resumes, posing a hazard to service personnel or the user.
- **Do not install the units at or near doorway.**
- **Do not operate any heating apparatus too close to the air conditioner unit or use in room where mineral oil, oil vapour or oil steam exist, this may cause plastic part to melt or deform as a result of excessive heat or chemical reaction.**
- **When the unit is used in kitchen, keep flour away from going into suction of the unit.**
- **This unit is not suitable for factory used where cutting oil mist or iron powder exist or voltage fluctuates greatly.**
- **Do not install the units at area like hot spring or oil refinery plant where sulphide gas exists.**
- **Ensure the color of wires of the outdoor unit and the terminal markings are same to the indoors respectively.**
- **IMPORTANT : DO NOT INSTALL OR USE THE AIR CONDITIONER UNIT IN A LAUNDRY ROOM.**
- **Don't use joined and twisted wires for incoming power supply.**
- **The equipment is not intended for use in a potentially explosive atmosphere.**

NOTICE

Disposal requirement

Your air conditioning product is marked with this symbol. This means that electrical and electronic products shall not be mixed with unsorted household waste.

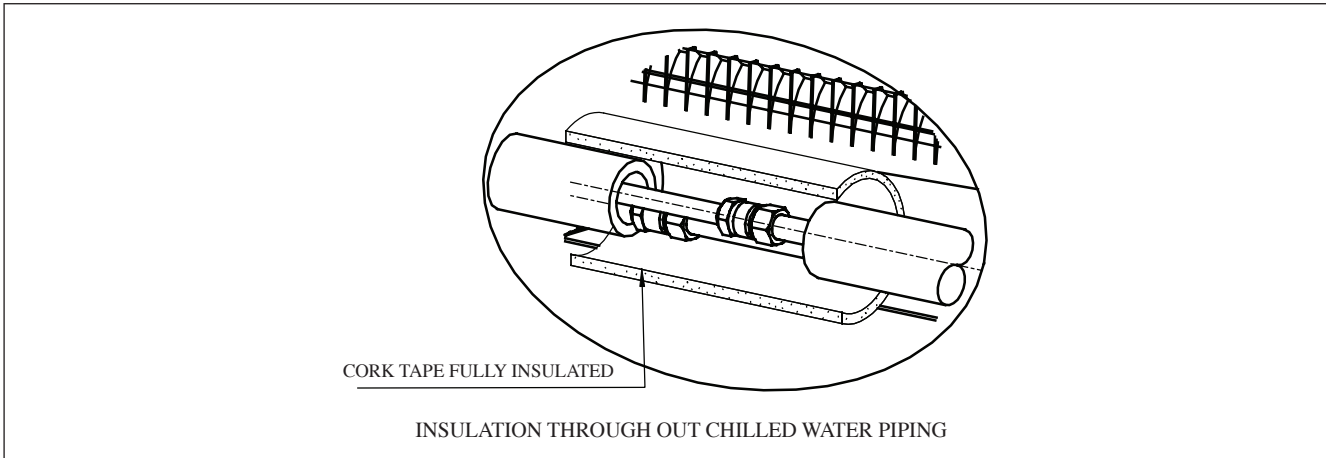
Do not try to dismantle the system yourself: the dismantling of the air conditioning system, treatment of the refrigerant, of oil and of other parts must be done by a qualified installer in accordance with relevant local and national legislation.

Air conditioners must be treated at a specialized treatment facility for re-use, recycling and recovery. By ensuring this product is disposed of correctly, you will help to prevent potential negative consequences for the environment and human health. Please contact the installer or local authority for more information.

Batteries must be removed from the remote controller and disposed of separately in accordance with relevant local and national legislation.

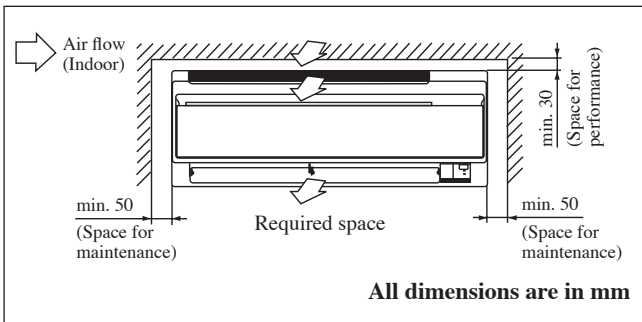


INSTALLATION DIAGRAM



INSTALLATION OF THE INDOOR UNIT

The indoor unit must be installed in such a way so as to prevent short circuit of the cool discharged air with the hot return air. Please follow the installation clearance shown in the figure. Do not place the indoor unit where there could be direct sunlight shining on it. Also, this location must be suitable for piping and drainage, and be away from doors or windows.

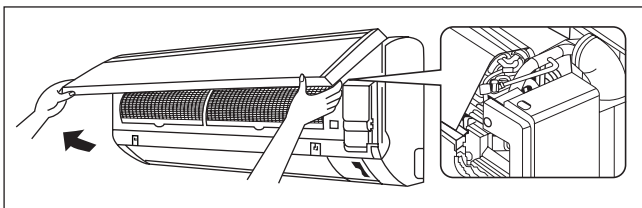


⚠ CAUTION

Do not install the unit at altitude over 2000m.

Air Purging

To prevent pump damage, the fan coil unit should not be energized until the coil and all water lines have been purged of air.



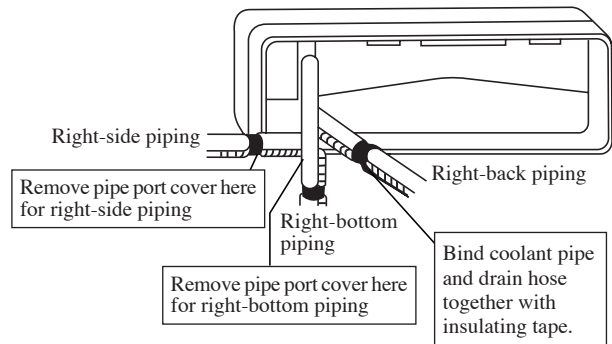
The Air Vent located inside the casing. Removed the casing and connect hose to the air vent while doing purging.

⚠ CAUTION

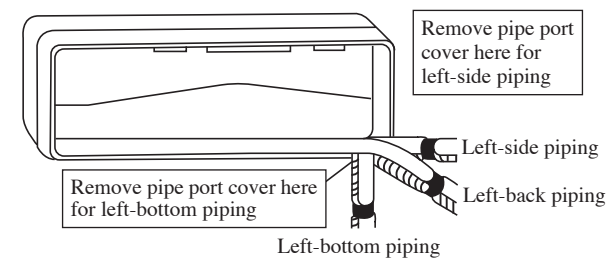
Ensure there is no water droplets go into the control box during purging process.

The water piping can be routed to the unit in a number of ways (left or right from the back of the unit), by using the cut-out holes on the casing of the unit (see figure). Bend the pipes carefully to the required position in order to align it with the holes. For the side and bottom, hold the bottom of the piping and then position it to the required direction (see figure). The condensation drain hose can be taped to the pipes.

Right-side, right-back or right-bottom piping



Left-side, left-back or left-bottom piping

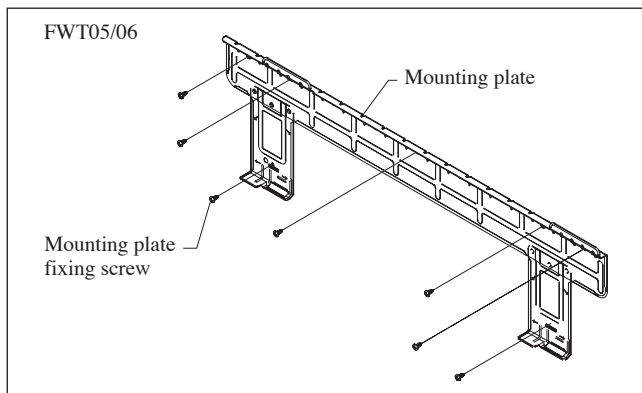
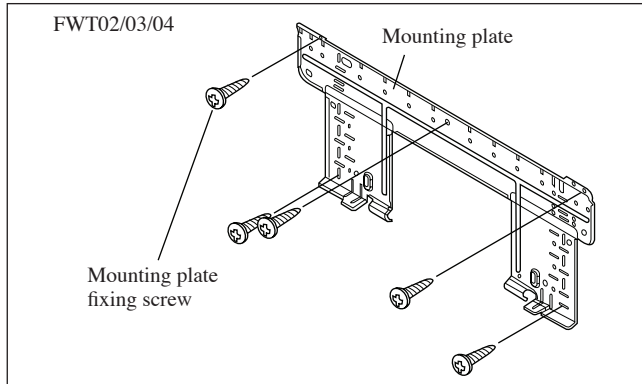
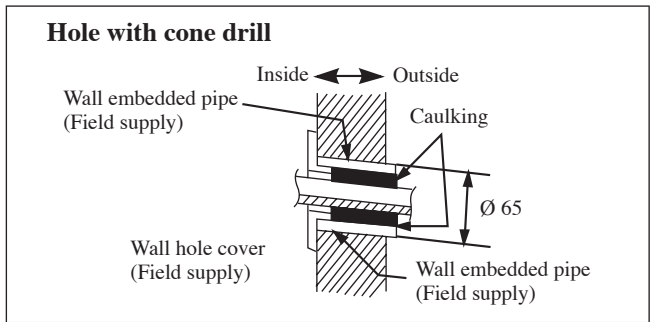


Mounting Installation Plate

Ensure that the wall is strong enough to withstand the weight of the unit. Otherwise, it is necessary to reinforce the wall with plates, beams or pillars.

Use the level gauge for horizontal mounting, and fix it with 5 suitable screws for FWT02/03/04 and 7 suitable screws for FWT05/06.

In case the rear piping draws out, drill a hole 65mm in diameter with a cone drill, slightly lower on the outside wall (see figure).



Mount The Unit Onto The Installation Plate

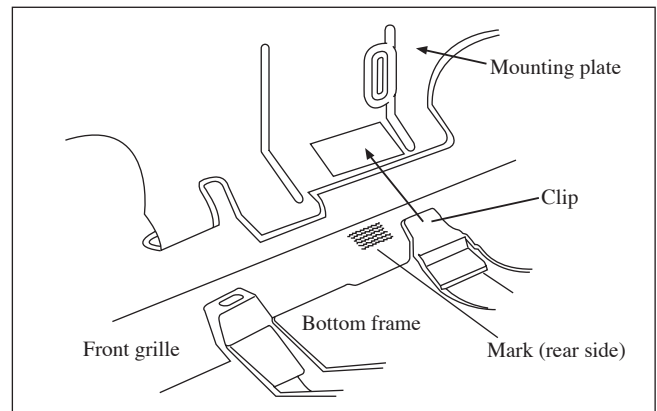
Hook the indoor unit onto the upper portion of the installation plate (Engage the two hooks at the rear top of the indoor unit with the upper edge of the installation plate). Ensure that the hooks are properly seated on the installation plate by moving it to the left and right.

How To Attach The Indoor Unit

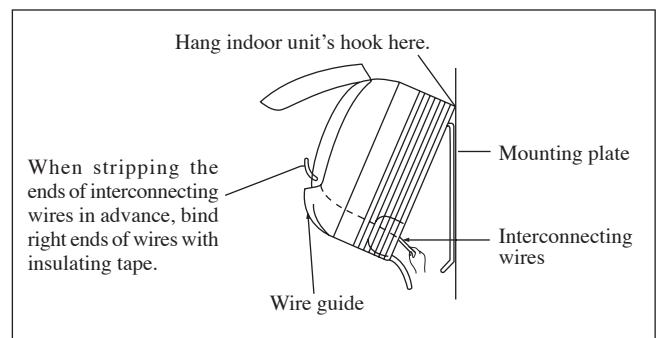
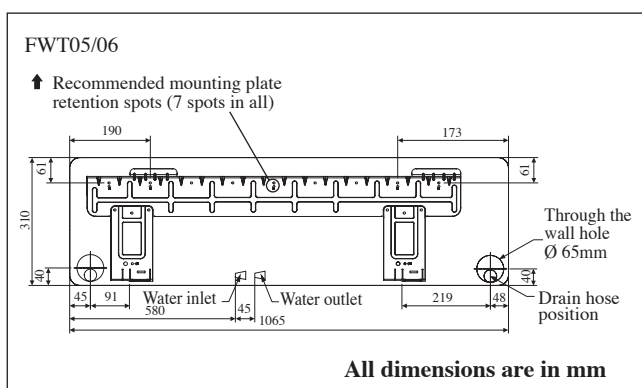
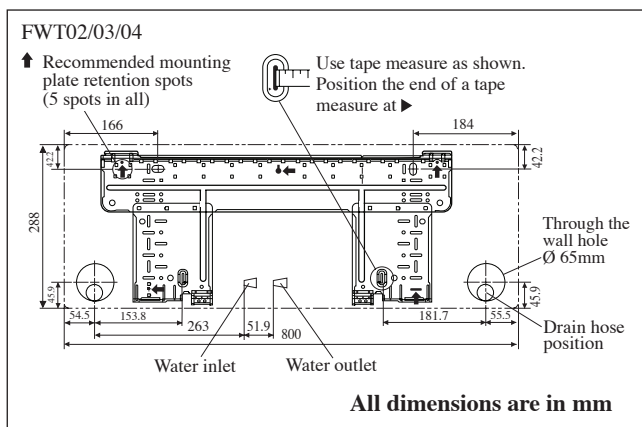
Hook the claws of the bottom frame to the mounting plate.

How To Remove The Indoor Unit

Push up the marked area (at the lower part of the front grille) to release the claws.

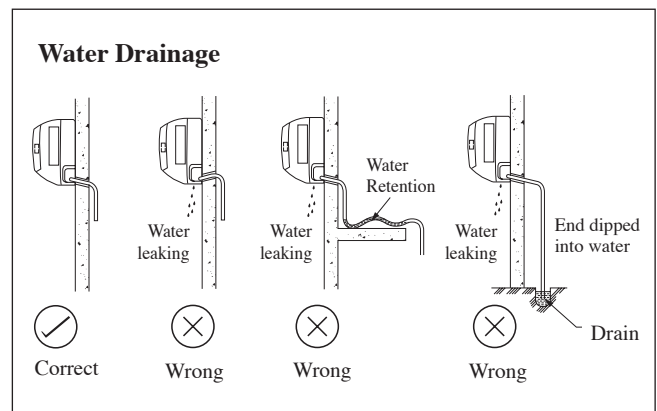


Recommended Mounting Plate Retention Spots And Dimensions



Water Drainage Piping

The indoor drain pipe must be in a downward gradient for smooth drainage. Avoid situations that are likely to cause water to leak.



Water Piping Connection

The indoor unit is equipped with water outlet and inlet threaded connection. There is an air-vent for air purging that is fitted at the outlet water header.

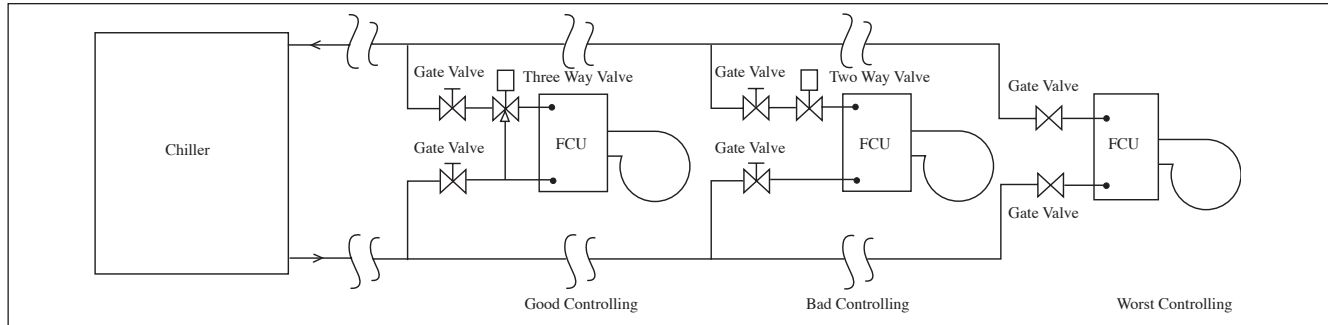
3 ways valve is required for cycling off or bypass the chilled water.

Black steel pipe, polyurethane pipe, PVC pipe and copper tube are recommended in field installation.

All types of piping and connection must be insulated by polyurethane (ARMAFLEX type or equivalent) to avoid condensation.

Do not use contaminated or damaged pipe and fitting for installation.

Some main fitting components are needed in the system to enhance the capacity and ease of service, such as gate valve, balancing valve, 2 ways or 3 ways valve, filter, strainer, etc.



ELECTRICAL WIRING CONNECTION

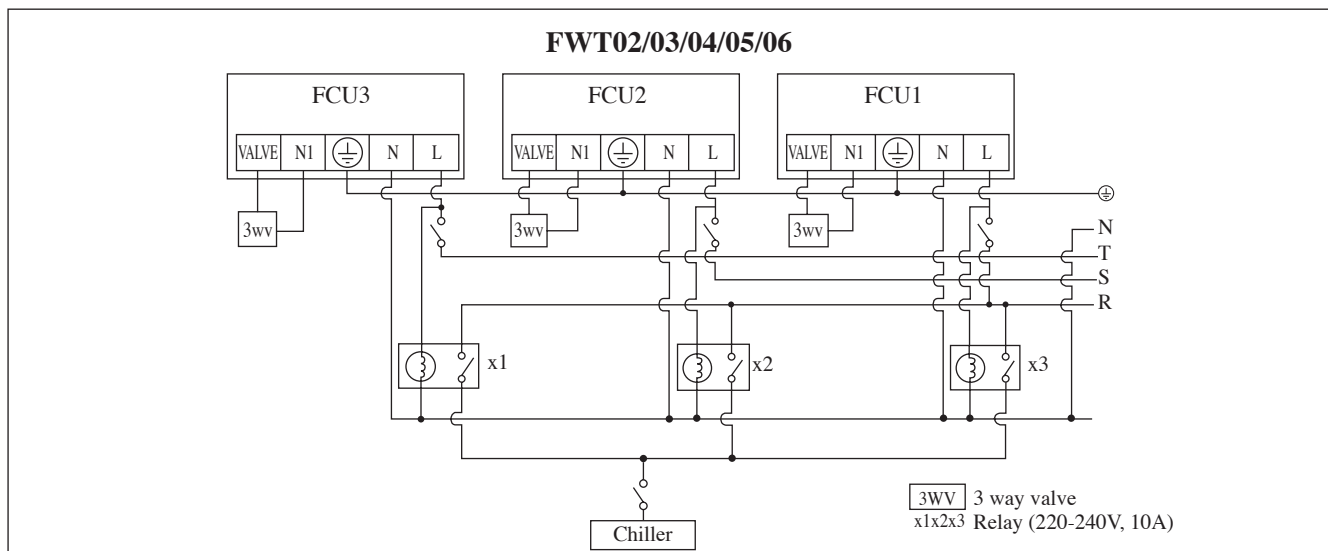
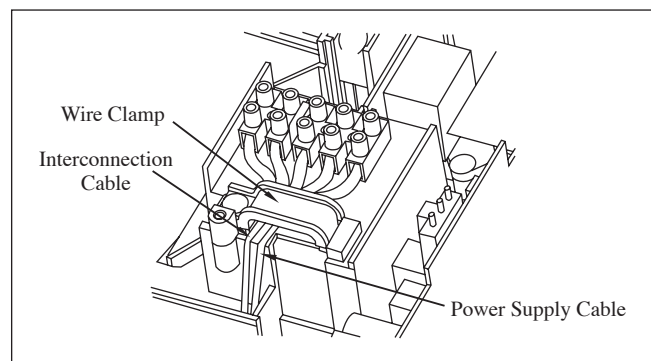
IMPORTANT : * These values are for information only, they should be checked and selected to comply with the local and/or national codes and regulations. They are also subjected to the type of installation and size of conductors.

** The appropriate voltage range should be checked with data label on the unit.

There must be an all pole disconnection in the supply mains with a contact separation of at least 3mm.

Model	FWT02/03/04/05/06	
Voltage range**	220V – 240V/1Ph/50Hz + ⊕	
Power supply cable size*	mm²	1.5
Number of conductors		3
Recommended time delay fuse	A	2

- All wires must be firmly connected.
- All wires must not touch the water piping, or any moving parts of the fan motor.
- The connecting wires to the indoor unit must be clamped on the wire clamps as shown in the figure.
- The power supply cord must be equivalent to H07RN-F which is the minimum requirement, and to be used in protective tube.



AIR CONDITIONER UNIT OPERATION

Dry Mode

- When the air humidity is high, the unit can operate in dry mode. Press <MODE> button and choose <DRY>.
- If the room temperature is 2°C/3.6°F higher than the set temperature, the air conditioner will operate under cooling mode until it reaches within the 2°C/3.6°F range of difference compared to the set temperature before it converts to dry mode.
- If the room temperature is within the 2°C/3.6°F range of difference compared to the set temperature, it will directly operate under dry mode.
- The unit will operate at LOW speed under dry mode.

Heat Mode (for heat pump unit only)

- When the unit at cold draft setting, the indoor fan will start to operate only after the coil reaches the desired temperature.
- For fan mode setting, indoor fan will continuous running once unit ON.
- When the set temperature is achieved, the indoor fan will operate until the coil cannot provide anymore additional heat.

Air Flow Control

- For more effective air circulation, you can manually adjust the air discharge grille to the left or right.
- During cool mode operation and dry mode operation, do not direct the air discharge louver downwards for too long. If operating continues in this way, condensation may occur on the louver, thus resulting in drippings.

Fan Speed And Rated Cooling Capacity

- The rated cooling capacity is provided at the HIGH fan speed.
- The cooling capacity is lower when the unit is operating at MEDIUM and LOW fan speed.

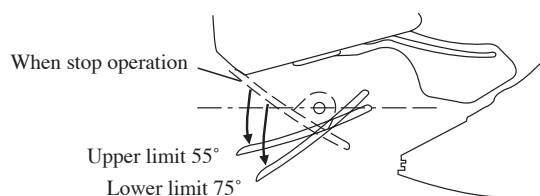
Notes On Flaps And Louvers Angles

- When “SWING button” is selected, the flaps swinging range depends on the operation mode. (See the figure.)

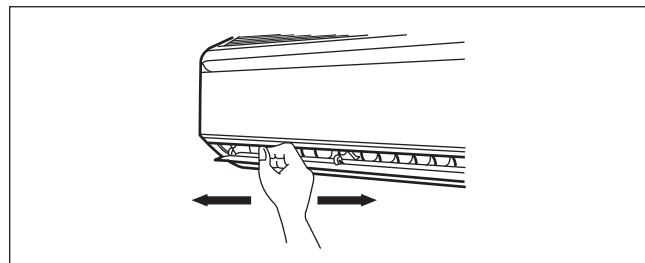
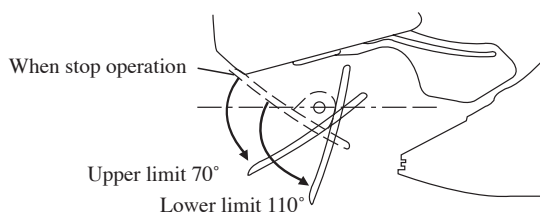
ATTENTION

- Always use a remote controller to adjust the flaps angle. If you attempt to move it forcibly with hand when it is swinging, the mechanism may be broken.
- Be careful when adjusting the louvers. Inside the air outlet, a fan is rotating at a high speed.

In COOL, DRY and FAN mode



In HEAT mode



OPERATING RANGE

Operating Limits:

Thermal carrier : Water

Water temperature : 4-10°C Cooling; 35-50°C Heating

Maximum water pressure : 16 bar

Air temperature : (as below)

Cooling Mode

Temperature	Ts °C/°F	Th °C/°F
Minimum indoor temperature	19.0 / 66.2	14.0 / 57.2
Maximum indoor temperature	32.0 / 89.6	23.0 / 73.4

Heating Mode

Temperature	Ts °C/°F	Th °C/°F
Minimum indoor temperature	15.0 / 59.0	-
Maximum indoor temperature	27.0 / 80.6	-

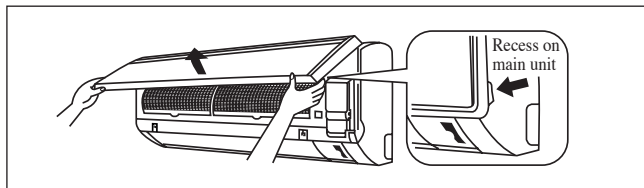
Ts: Dry bulb temperature.

Th: Wet bulb temperature.

AIR FILTER

1. Open the front panel.

- Hold the panel at the recesses on the main unit (2 recesses on right and left sides) and lift it until it stops.



2. Pull out the air filters.

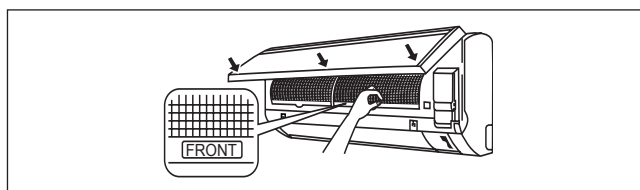
- Push a little upwards the tab at the center of each air filter, then pull it down.

3. Clean or replace each filter.

- When shaking off remaining water, do not wring the filter.

4. Set the air filter as they were and close the front panel.

- Insert claws of the filters into slots of the front panel. Close the front panel slowly and push the panel at the 3 points. (1 on each side and 1 in the middle.)
- The air filter have a symmetrical form in the horizontal direction.



SERVICE AND MAINTENANCE

Service Parts	Maintenance Procedures
Indoor air filter	<ol style="list-style-type: none"> Remove any dust adhering to the filter by using a vacuum cleaner or wash in lukewarm water (below 40°C/104°F) with a neutral cleaning detergent. Rinse the filter well and dry before placing it back onto the unit. Do not use gasoline, volatile substances or chemicals to clean the filter.
Indoor unit	<ol style="list-style-type: none"> Clean any dirt or dust on the grille or panel by wiping it with a soft cloth soaked in lukewarm water (below 40°C/104°F) and a neutral detergent solution. Do not use gasoline, volatile substances or chemicals to clean the indoor unit.

1. Open the front panel.

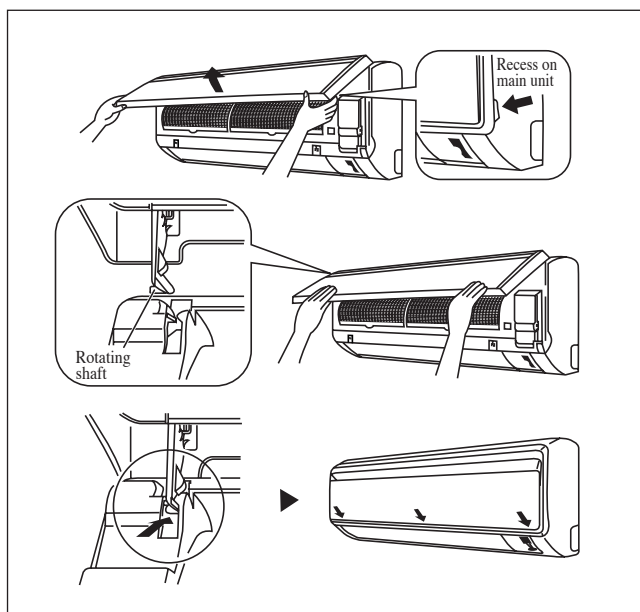
- Hold the panel at the recesses on the main unit (2 recesses on right and left sides) and lift it until it stops.

2. Remove the front panel.

- While lifting the front panel further, slide it to the right and pull it to the front side. The left rotating shaft is detached. Slide the right rotating shaft to the left and pull it to the front side to remove it.

3. Attach the front panel.


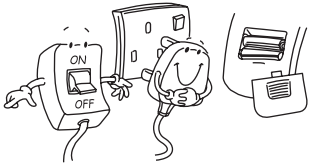
- Align the right and left rotating shafts of the front panel with the grooves and push them all the way in.
- Gently close the front panel. (Push both ends and the center on the front panel.)



⚠ CAUTION

- Don't touch the metal parts of the indoor unit. It may cause an injury.
- When removing or attaching the front panel, support the panel securely with hand to prevent it from falling.
- For cleansing, do not use hot water above 40°C, benzine, gasoline, thinner, nor other volatile oils, polishing compound, scrubbing brushes, nor other hand stuff.
- After cleaning, make sure that the front panel is securely fixed.

When The Unit Is Not To Be Used For An Extended Long Period Of Time

<p>Operate the unit for 2 hours with the following setting.</p> <p>Operating mode : cool Temperature : 30°C/86°F</p>		<p>Remove the power plug. If you are using an independent electric circuit for your unit, cut off the circuit. Remove the batteries in the remote control.</p>	
--	---	--	---

TROUBLESHOOTING

For any enquiries on spare part please contact your authorized dealer. When any malfunction of the air conditioner unit is noted, immediately switch off the power supply to the unit. Check the following fault conditions and causes for some simple troubleshooting tips.

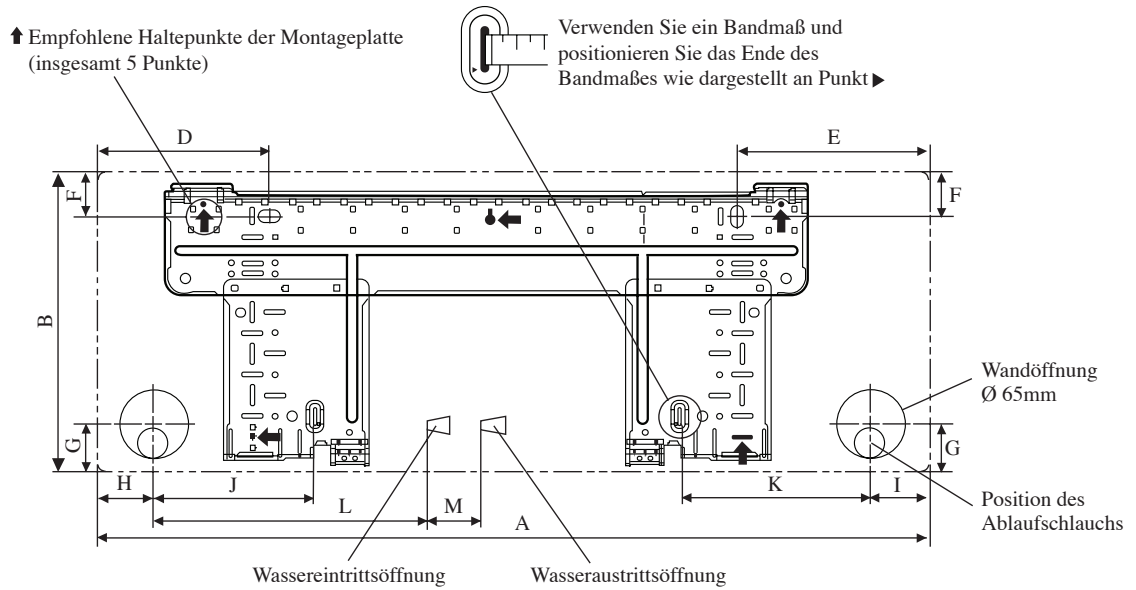
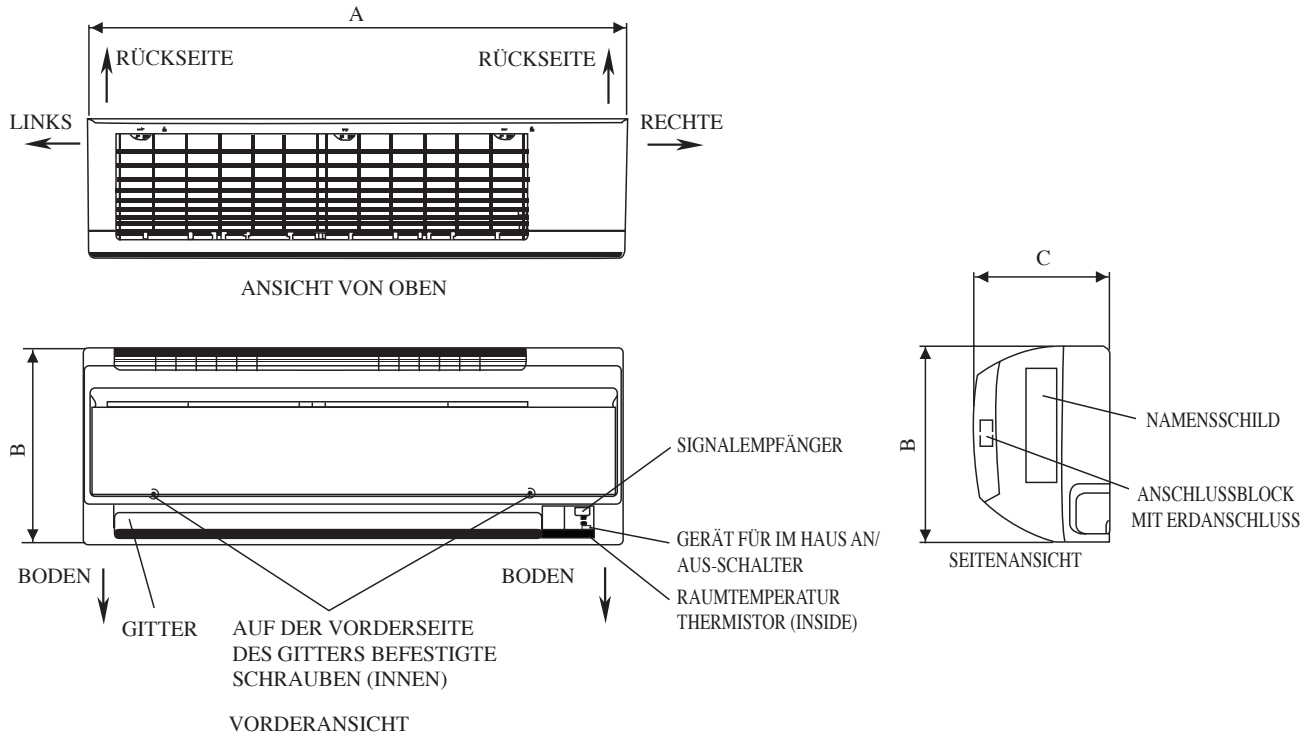
Fault	Causes / Action
1. The air conditioner unit does not operate.	<ul style="list-style-type: none"> – Power failure, or the fuse needs to be replaced. – The power plug is disconnected. – It is possible that your delay timer has been set incorrectly. – If the fault persist after all these verifications, please contact the air conditioner unit installer.
2. The air flow is too low.	<ul style="list-style-type: none"> – The air filter is dirty. – The doors or windows are open. – The air suction and discharge are clogged. – The regulated temperature is not high enough.
3. Discharge air flow has bad odour.	<ul style="list-style-type: none"> – Odours may be caused by cigarettes, smoke particles, perfume etc. which might have adhered onto the coil.
4. Condensation on the front air grille of the indoor unit.	<ul style="list-style-type: none"> – This is caused by air humidity after an extended long period of operation. – The set temperature is too low, increase the temperature setting and operate the unit at high fan speed.
5. Water flowing out from the air conditioner unit.	<ul style="list-style-type: none"> – Switch off unit and call dealer.

If the fault persists, please call your local dealer / serviceman.

AUSLEGUNG UND ABMESSUNGEN

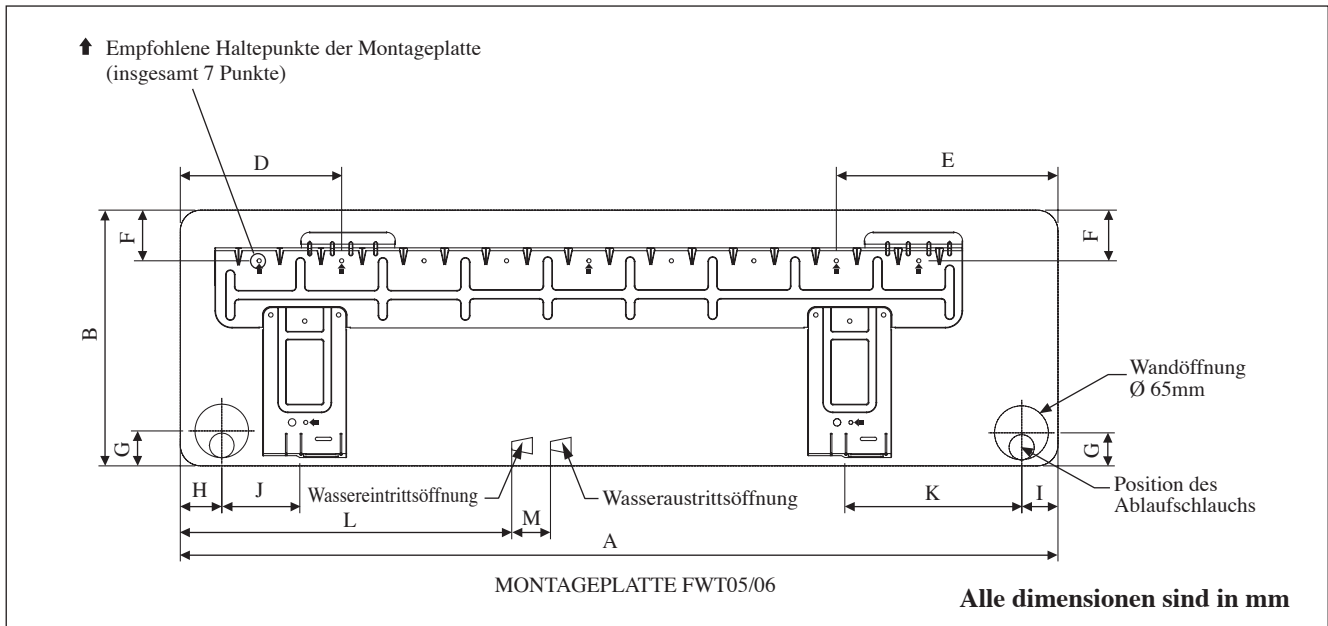
Innen-Gerät

DAS ZEICHEN (→) ZEIGT DIE ANSCHLUSSRICHTUNG



MONTAGEPLATTE FWT02/03/04

Alle dimensionen sind in mm



Abmessung	A	B	C	D	E	F	G	H	I	J	K	L	M
Modell													
FWT02/03/04	800	288	206	166	184	42	46	55	56	154	182	267	55
FWT05/06	1065	310	224	190	173	61	40	45	48	91	219	593	60

INSTALLATIONSHANDBUCH

Das vorliegende Handbuch enthält die Installationsanweisungen für einen sicheren und ordnungsgemäßen Betrieb dieser Anlage.

Je nach den örtlichen Gegebenheiten können spezielle Anpassungen notwendig sein.

Vor der Inbetriebnahme des Klimagerätes dieses Handbuch bitte aufmerksam zur Kenntnis nehmen und für künftigen Bedarf aufbewahren.

Dieses Gerät für den Betrieb durch Fachleute oder geschulte Benutzer in Geschäften, der Leichtindustrie und in landwirtschaftlichen Betrieben sowie für gewerbliche Zwecke durch Laien ausgelegt.

Das Gerät ist nicht konzipiert, um von folgenden Personengruppen einschließlich Kindern benutzt zu werden: Personen mit eingeschränkten körperlichen, sensorischen oder geistigen Fähigkeiten oder Personen mit mangelhafter Erfahrung oder Wissen, es sei denn, sie sind von einer Person, die für ihre Sicherheit verantwortlich ist, darin unterwiesen worden, wie das Gerät ordnungsgemäß zu verwenden und zu bedienen ist. Kinder sollten beaufsichtigt werden, um sicher zu sein, dass sie nicht mit dem Gerät spielen.

VORSICHTMASSNAHMEN

⚠ ACHTUNG

- Die Installation und Wartung muß durch qualifiziertes Personal erfolgen, Welches mit den örtlichen Bestimmungen und diesem Ausrüstungstyp vertraut ist.
- Die gesamte E-Verkabelung hat in Übereinstimmung mit den landesspezifischen Anschlußvorschriften zu erfolgen.
- Vor dem Kabelanschluß gemäß Schaltbild ist sicherzustellen, daß die Betriebsspannung mit der auf dem Datenschild des Gerätes angegebenen Spannung übereinstimmt.
- Das Gerät ist zum Schutz gegen fehlerhafte Isolierungen und entsprechende Risiken zu ERDEN.
- Die Kabel dürfen weder mit der Kühlmittelleitung, noch mit den beweglichen Teilen der Gebläsemotoren in Berührung kommen.
- Vor der Installation oder Wartung der Anlage ist sicherzustellen, daß das Gerät ausgeschaltet ist (OFF).
- Ziehen Sie vor der Wartung der Klimaanlage den Stecker aus der Steckdose.
- NICHT das Stromkabel herausziehen, wenn das Gerät noch eingeschaltet ist. Ein elektrischer Schlag oder ein Wohnungsbrand kann die Folge sein.
- Halten Sie Innen- und Außengerät mindestens 1m entfernt von Fernsehern und Rundfunkgeräten, um verzerrte Bilder und statische Entladungen zu vermeiden. {abhängig von Type und Quelle der elektrischen Wellen, können statische Entladungen auch noch hörbar sein bei Abständen von mehr als 1m}.

⚠ VORSICHT

Vor der Installation sind folgende wichtige Punkte zu prüfen.

- **Die Kondensat-Abflußleitung muß sachgemäß angeschlossen sein.**
! Ist die Abflußleitung nicht richtig angeschlossen, besteht Gefahr, daß durch auslaufendes Wasser das Mobiliar feucht wird.
- **Nach Installation oder Wartung ist sicherzustellen, daß die Geräteabdeckung wieder montiert ist.**
! Eine mangelhafte Befestigung der Abdeckung führt zu Geräusentwicklung während des Betriebs.
- **Scharfe Kanten und Wärmetauscherflächen stellen eine Gefahrenquelle dar.**
Jeglicher Kontakt mit diesen Stellen ist zu vermeiden.
- **Vor Abschalten der Stromzufuhr muss der ON/OFF Schalter der Fernbedienung auf „OFF“ gestellt werden, um eine versehentliche Fehleinstellung zu vermeiden.** Andernfalls schaltet sich bei Wiederherstellung der Stromzufuhr das Kühlgebläse automatisch wieder ein und kann somit für den Benutzer oder Wartungspersonal ein unerwartetes Risiko darstellen.
- **Die Geräte dürfen nicht bei oder in der Nähe von Türen installiert werden.**
- **Betreiben Sie keine Heizgeräte in direkter Nähe des Klimagerätes, und verwenden Sie das Gerät nicht in Räumen, in denen es Mineralölen, Öldämpfen oder -nebel ausgesetzt ist, da dies zu einem Schmelzen oder einer Verformung der Plastikbestandteile aufgrund von Hitze oder chemischer Reaktion führen könnte.**
- **Sollte das Gerät in einer Küche eingesetzt werden, so achten Sie bitte darauf, dass kein Mehlstaub eingesaugt werden kann.**
- **Dieses Gerät ist nicht für den Einsatz in Fabriken geeignet, in denen es zur Entwicklung von Öldämpfen oder Eisenstaub kommt, bzw. In denen es zu starken Stromschwankungen kommen kann.**
- **Das Gerät eignet sich nicht zur Installation in der Nähe von Heißquellen oder Raffinerien, wo Sulfidgase entstehen können.**
- **Sorgen Sie dafür, dass die Farben der Drähte des Außengerätes und der Anschlussmarkierungen dieselbe sind wie die Übereinstimmende des Innengerätes.**
- **WICHTIG: DAS KLIMAGERÄT SOLLTE NICHT IN EINEM WÄSCHERAUM INSTALLIERT ODER BENUTZT WERDEN.**
- **Verwenden Sie zur Stromversorgung keine zusammengefügte und geknickte Kabel.**
- **Das Gerät ist nicht zur Verwendung in einer potentiell explosiven Atmosphäre konzipiert.**

BEMERKUNG

Vorschriften zur Entsorgung

Ihre Klimaanlage ist mit diesem Symbol gekennzeichnet. Das bedeutet, dass elektrische und elektronische Produkte nicht mit unsortiertem Haushaltsabfall entsorgt werden dürfen.

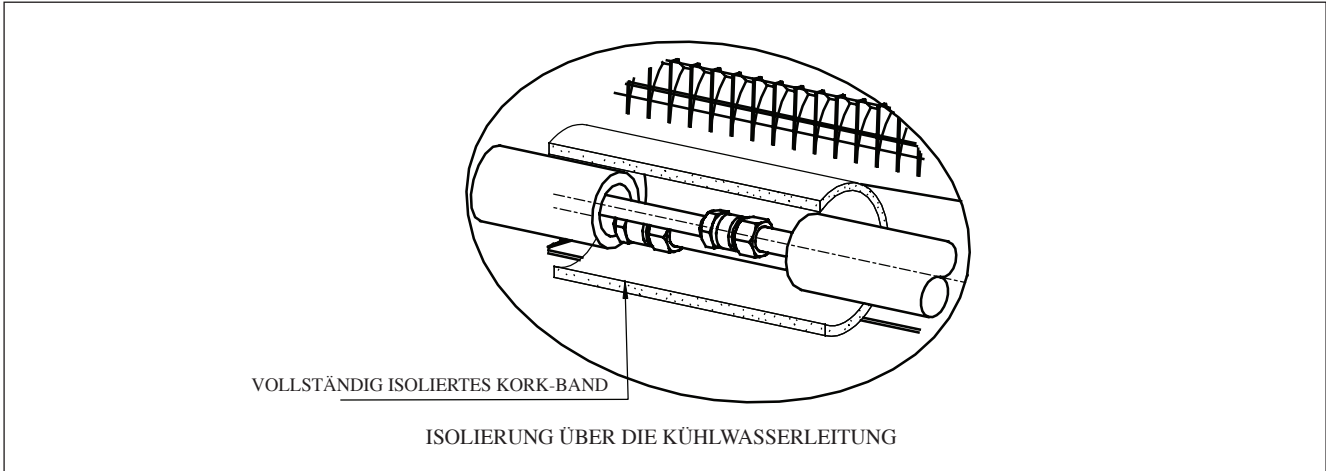
Versuchen Sie auf keinen Fall das System selbst zu demontieren: Die Demontage des Klimaanlage-Systems sowie die Handhabung von Kältemitteln, Öl und möglichen weiteren Teilen muss von einem qualifizierten Monteur gemäß den entsprechenden örtlichen und staatlichen Bestimmungen vorgenommen werden.

Klimaanlagen müssen bei einer fachkundigen Einrichtung für Wiederverwendung, Recycling und Wiedergewinnung aufbereitet werden. Indem Sie dieses Produkt korrekt entsorgen, helfen Sie potenzielle negative Folgen für die Umwelt und die Gesundheit der Menschen zu vermeiden. Nehmen Sie bitte hinsichtlich weiterer Informationen Kontakt auf mit dem Monteur oder den örtlichen Behörden.

Die Batterien müssen aus der Fernbedienung entfernt werden und gemäß den entsprechenden örtlichen und staatlichen Vorschriften separat entsorgt werden.

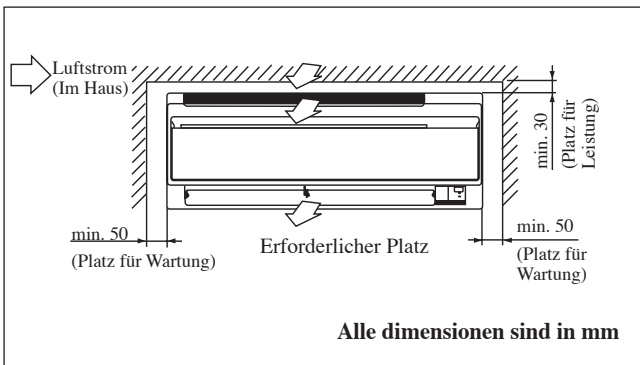


INSTALATIONS DIAGRAMM



INSTALLATION DES INNENGERÄTES

Innengeräte sind so zu installieren, daß keine Interferenz zwischen dem Kühlluftaustritt und der zurückgeführten Luft besteht. Bei der Installation bitte die in der Zeichnung angegebenen Abstände beachten. Ein Innenmontage-Gerät darf nicht unter direkter Sonneneinstrahlung montiert werden. Die Montageposition ist anhand der Rohrleitung und der Drainage im gegebenen Abstand zu Türen oder Fenstern zu gewährleisten.

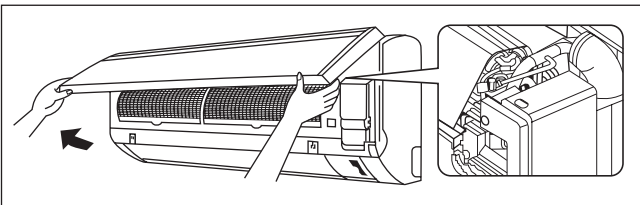


⚠ VORSICHT

Das Gerät nicht in einer Höhe über 2000m installieren.

Luftevakuierung

Um Schäden an der Pumpe zu vermeiden, sollte die Ventilatorspule nicht unter Spannung gesetzt werden, bis die Spule und alle Wasserleitungen von Luft befreit wurden.



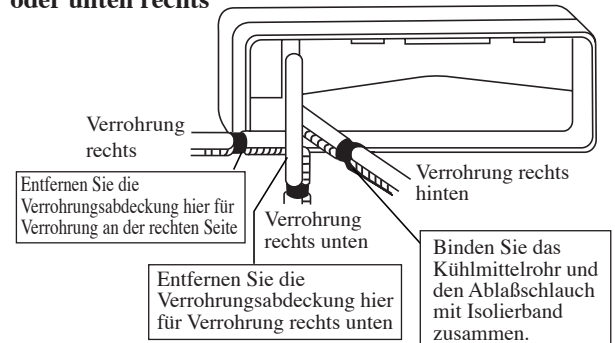
Der Belüftungsschlitz, der sich im Inneren des Gehäuses befindet. Entfernen Sie das Gehäuse, und schließen Sie den Schlauch an den Belüftungsschlitz an, während Sie die Luftevakuierung durchführen.

⚠ VORSICHT

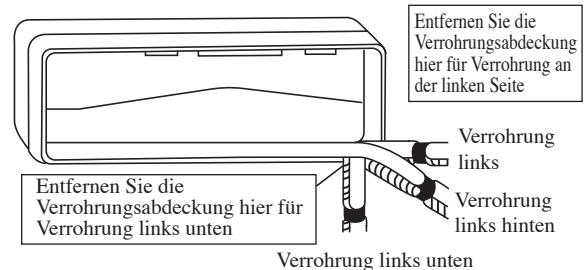
Stellen Sie sicher, dass während des Luftevakuierungsprozesses keine Wassertröpfchen in den Steuerkasten gelangen.

Die Wasserleitung kann auf verschiedene Weise an das Gerät angeschlossen werden. (links oder rechts an der Rückseite des Gerätes). Verwenden Sie hierzu die Aussparungen in der Geräteverkleidung, (siehe Abb), und biegen Sie die Rohre vorsichtig auf die entsprechenden Lochpositionen. Halten Sie bei einem Seiten- oder Bodenausgang den unteren Teil des Rohres fest und bringen Sie ihn in die gewünschte Richtung (siehe Abb). Sie können den Kondensatschlauch mit Klebeband an den Rohren fixieren.

Anschluss der Rohre seitlich rechts, hinten rechts oder unten rechts



Rohranschluss Seitlich links, Rückseite links oder Unten links

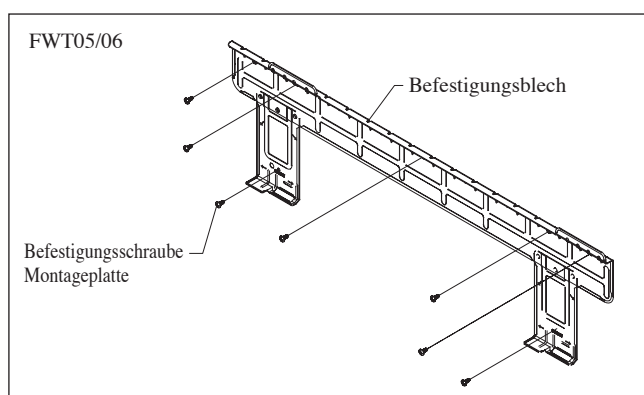
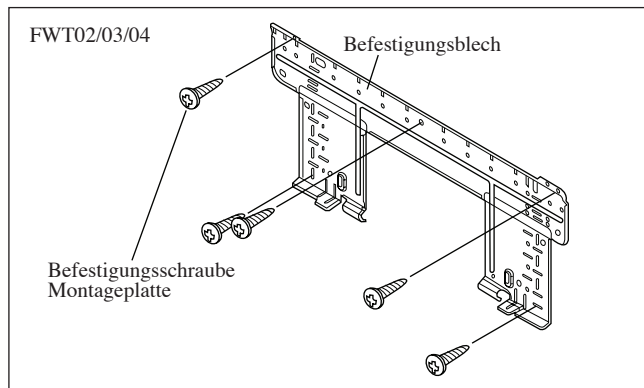


Montage der Installations-halterungsplatte

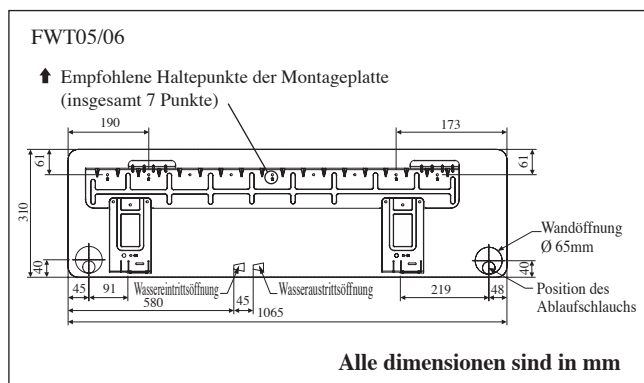
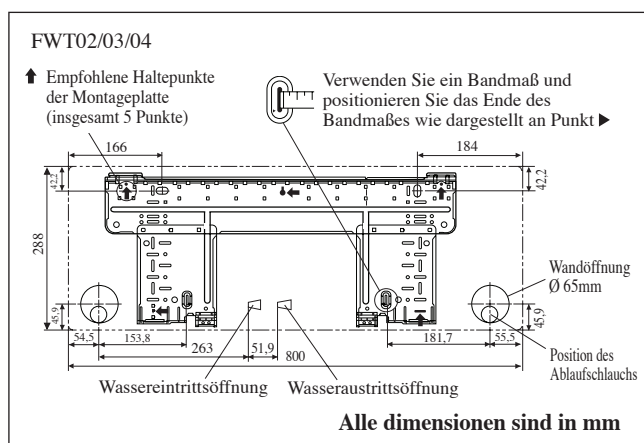
Sicherstellen, daß die Trägerwand ausreichend fest ist, um das Gewicht aufnehmen zu können. Falls nicht, müssen geeignete Verstärkungsplatten, Träger oder Stützen verwendet werden.

Verwenden Sie eine Wasserwaage für eine waagerechte Halterung und befestigen Sie es mit 5 geeigneten Schrauben für FWT02/03/04 und mit 7 geeigneten Schrauben für FWT05/06.

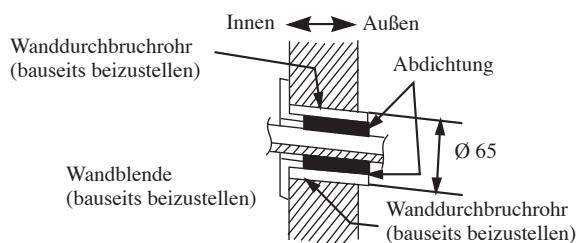
Bei Rohrleitungs-herausführung auf der Rückseite: Eine Bohrung 65mm mit einem Konusbohrer setzen. Hierbei die Bohrung auf der wandungsaußenseite etwas tiefer positionieren (siehe Abb).



Empfohlene Montageplatte, Halterungsstellen und Abmessungen



Bohrung Durch Konusbohrer



Gerätemontage Auf Der Installationsplatte

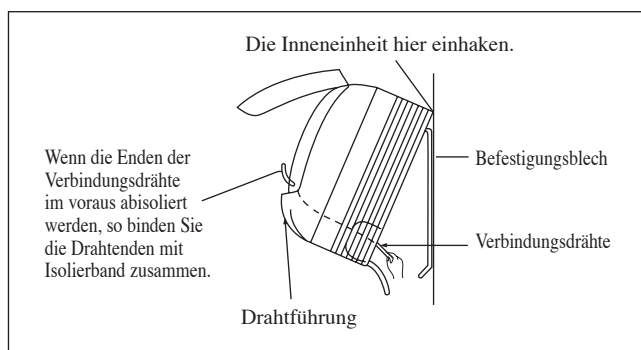
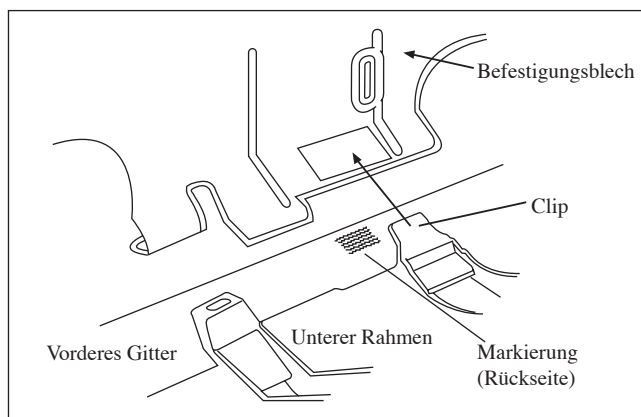
Innenmontage-Gerät in den oberen Bereich der Installationsplatte einhängen (Die beiden hinteren oberen Laschen der Innenmontage-Einheit in die obere Kante der Installationsplatte einhängen). Bewegen Sie die Montageplatte leicht nach links und rechts, um zu prüfen, ob die Haken ordnungsgemäß eingegriffen haben.

Anbringen des Innenaggregats

Haken Sie die Klemmen des Bodenrahmens auf der montageplatte ein.

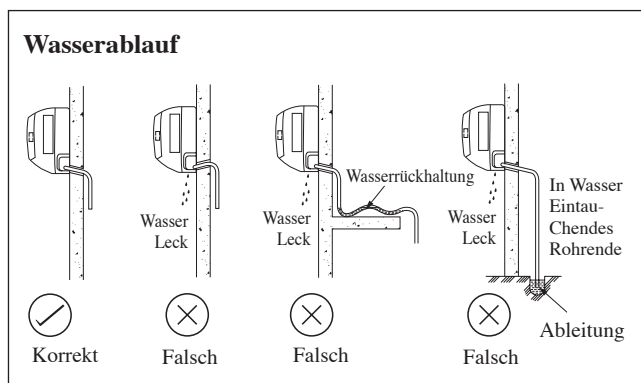
Entfernen des Innenaggregats

Drücken Sie den markierten Bereich (am unteren Teil des Frontgrills) nach oben, um die Klemmen zu lösen.



Wasser-Entleerungsleitung

Zur problemlosen Kondensatabführung muß die innenliegende Wasserentleerungsleitung Gefälle aufweisen. Vermeiden Sie Umstände, die zum Austreten von Wasser führen können.



Wasserleitungsanschluss

Das Gerät für im Haus ist mit einem Anschlussgewinde für Wasserab- und -zufluss ausgestattet. Es besitzt eine Entlüftung für Luftaustausch, die auf dem Wasserzufluss-Kopf montiert ist.

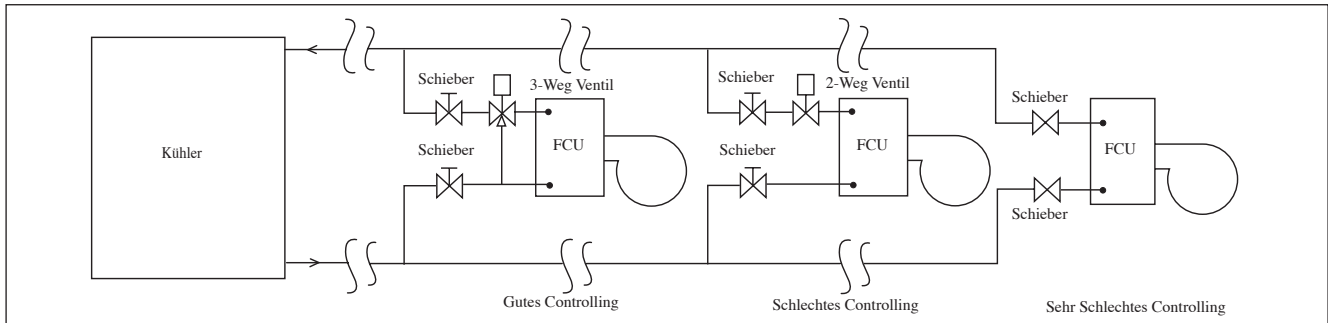
Ein 3-Wege Ventil wird benötigt, um das gekühlte Wasser ab- oder umzuleiten.

Wir empfehlen für im Freien, eine schwarze Stahlleitung, Polyethen-Leitung, PVC-Leitung und Kupferleitung zu verlegen.

Alle Arten von Leitungen und Verbindungen müssen mit Polyurethan (äquivalent zum ARMAFLEX Typ) isoliert werden, um Kondensierungen zu vermeiden.

Verwenden Sie bei der Installation keine verschmutzten oder beschädigten Leitungen.

Einige Hauptanschluss- Komponenten werden innerhalb des Systems benötigt, um die Kapazität und Wartung zu erleichtern, wie etwa bei Absperrhahn, Ausgleichsventil, 2-Wege oder 3-Wege Ventil, Filter, Siebkörper etc.



KABELANSCHLUß

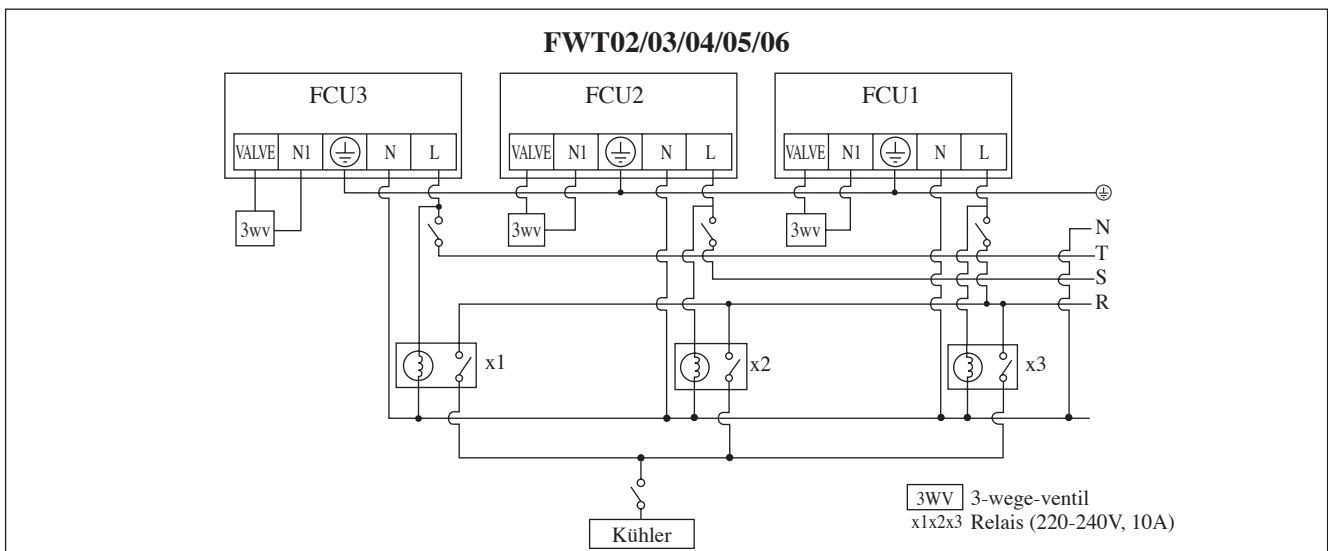
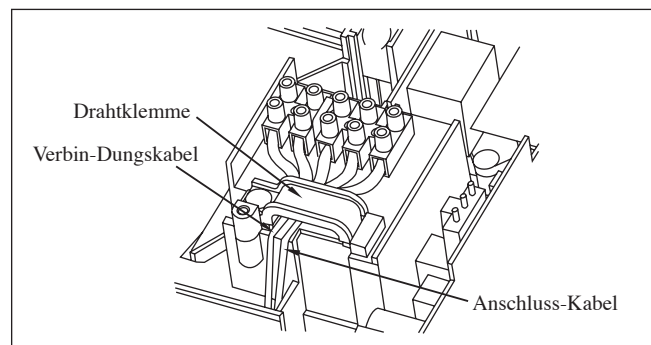
WICHTIG : * Die in der Tabelle aufgeführten Daten sind als reine Information zu verstehen und sollten daher geprüft und so ausgewählt werden, dass sie den örtlichen/nationalen Bestimmungen entsprechen. Außerdem hängt diese von der Art der Installation und der Größe der Leitern ab.

** Der geeignete Spannungsbereich sollte den Etikettendaten auf der Einheit entnommen werden.

In dem Hauptversorgungsnetz muss eine Unterbrechung aller Pole vorhanden sein, mit einem Kontaktunterbrecher von mindestens 3mm.

Modell	FWT02/03/04/05/06	
Spannungsbereich**	220V – 240V/1Ph/50Hz + ⊕	
Zuleitungskabelquerschnitt* Adernanzahl	mm ²	1,5 3
Empfohlene Sicherung	A	2

- Alle Adern sind fest zu verdrahten.
- Jeglicher Kontakt einer Elektrokabelader mit der Kältemittelleitung, dem Kompressor oder anderen beweglichen Teilen des Gebläsemotors ist zu vermeiden.
- Die anschließenden Leitungen zur Innenmaßeinheit müssen auf den Leitung Klemmplatten festgeklemmt werden, wie in der Abbildung gezeigt worden.
- Das Stromkabel muss gleichwertig sein mit H07RN-F was die Mindestforderung ist, und muss in einem Schutzrohr verlegt werden.

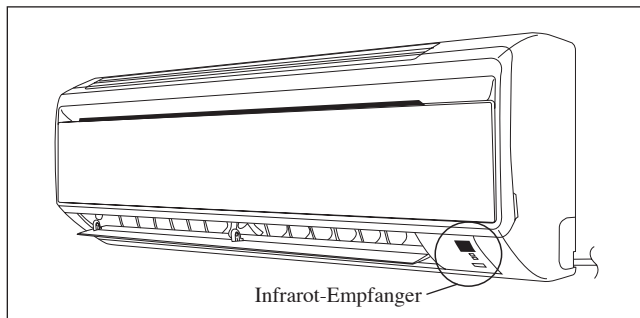


BETRIEBSLEUCHTANZEIGE

Infrarot-Signalempfänger

Wurde über die Fernbedienung ein Infrarot-Signal gesendet, so antwortet der Signalempfänger des Gerätes für im Haus wie unten angegeben und bestätigt den Signalempfang.

AN auf AUS	1 langer Piepston
AUS auf AN Hinunterpumpen/Kühlung eingeschaltet	2 kurze Piepstöne
Andere	1 kurze Piepstöne

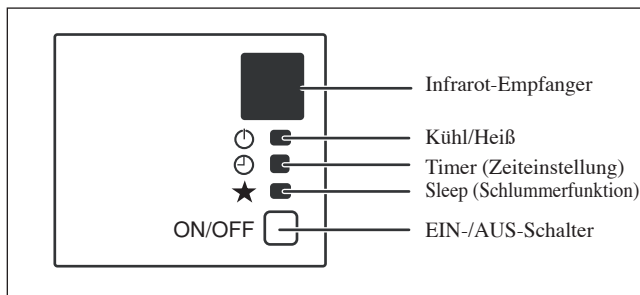


Kühleinheit/Wärmepumpe

Nachstehende Tabelle enthält die einzelnen LED-Funktionsanzeigen für Normalbetrieb und die verschiedenen Störungsmeldungen.

Die LEDs befinden sich rechts unten an der Klimaanlage.

Leuchtdiode für Kühlbetrieb/Wärmepumpe



Leuchtdioden : Normalbetrieb und Störungssituationen des Kühlgeräts / Wärmepumpe

			Normalbetrieb und Störungssituationen	Maßnahme	Fehlermeldung
			Kühlmodus	-	-
			Heiz-Modus	-	-
			Zeitschalter an	-	-
			Schlafmodul an	-	-
			Ventilatormodus eingeschaltet	-	-
			Trocknungsmodus eingeschaltet	-	-
			Raum-Luftsensorkontakt unterbrochen/ kurzgeschlossen	Händler benachrichtigen	E1 blinkt
			Sensor des Innen-Ventilators öffnet /kurzgeschlossen	Händler benachrichtigen	E2 blinkt
			Die Temperatur des Rohrwassers ist niedrig	-	E4 blinkt
			Die Temperatur des Rohrwassers ist schlecht	-	E5 blinkt
			Hardware-Fehler (Nadel des Takt-Schalters schließt kurz)	Händler benachrichtigen	E8 blinkt
			Keine Rückmeldung des Ventilators im Haus	Händler benachrichtigen	E9 blinkt

AUF

EIN oder AUS

Blinkend

Deutsch

BEDIENUNG DES KLIMAGERÖTES

Entfeuchten

- Bei hoher Luftfeuchtigkeit ist das Gerät zum Entfeuchteneinsatzbar. Dazu die <MODE>-Taste betätigen und <DRY> anwählen.
- Liegt die Raumtemperatur um 2°C/3,6°F höher als die eingestellte Temperatur, arbeitet das Gerät im Kühlbetrieb, bis die Raumtemperatur sich innerhalb von 2°C/3,6°F Unterschied gegenüber der eingestellten Temperatur befindet, und schaltet anschließend auf Entfeuchten um.
- Liegt die Raumtemperatur innerhalb von 2°C/3,6°F Unterschied gegenüber der eingestellten Temperatur, schaltet sich das Gerät direkt auf Entfeuchtung.
- Bei Entfeuchtung arbeitet das Gerät mit LANGSAMER Gebläsedrehzahl.

Heizbetrieb (nur für Wärmepumpe)

- Wenn das Gerät auf kalte Luftströmung eingestellt ist, setzt das Gebläse am Innengerät sich erst in Gang, wenn der Wärmetauscher die gewünschte Temperatur erreicht hat.
- Bei Einstellung des Gebläsemodus wird das Gebläse am Innengerät kontinuierlich laufen, sobald das Gerät auf ON gestellt ist.
- Ist die eingestellte Temperatur erreicht, arbeitet das Innengebläse so lange, bis der Wärmetauscher seine maximale Heizkapazität erreicht hat.

Luftstromsteuerung

- Zur verbesserten Luftzirkulation kann das Abluftgitter nach links oder rechts mit der Hand verstellt werden.
- Während der KÜHL- oder ENTFEUCHTUNGS-Funktion (COOLING/DRY) sollte das Strömungsrichtungsgitter nicht über einen längeren Zeitraum hin direkt nach unten gerichtet werden. Bei einer Kondensatbildung kann es dadurch zu einer Tropfenbildung kommen.

Gebläsedrehzahl und vorgesehene Kühlleistung

- Die vorgesehene Kühlleistung wird bei einer HOHEN Gebläsedrehzahl erreicht.
- Bei mittlerer bzw. langsamer Gebläsedrehzahl liegt die Kühlleistung niedriger.

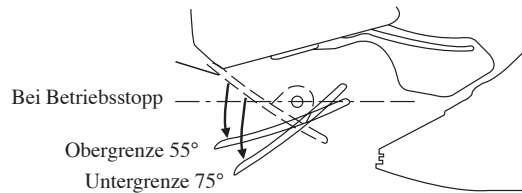
Hinweise zu Winkeln der Schwenklappen und Lüftungsgitter

- Der Schwenkbereich der Klappen bei Drücken der Taste „SCHWENKEN“ ist von der Betriebsart abhängig. (Siehe Abbildung.)

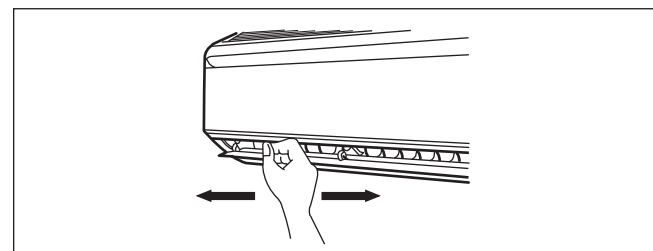
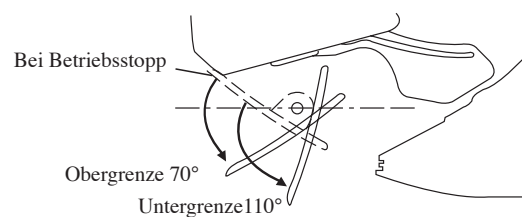
ACHTUNG

- Benutzen Sie immer die Fernbedienung, um den Klappenwinkel einzustellen. Wenn Sie versuchen ihn gewaltsam mit der Hand zu verändern während die Klappe schwingt, können Sie den Mechanismus beschädigen.
- Gehen Sie beim Einstellen der Lüftungsgitter vorsichtig vor. Auf der Innenseite der Luftaustrittsöffnung dreht sich mit hoher Geschwindigkeit ein Ventilator.

Im KÜHL, ENTFEUCHTER, und VENTILATOR



Im HEIZ



BETRIEBBEREICH

Grenzwerte für den Betrieb:

Wärmeträger : Wasser

Wassertemperatur : 4-10°C Kühlen, 35-50°C Heizen

Maximaler Wasserdruck : 16 bar

Lufttemperatur : (siehe hier unten)

Kühlender Modus

Temperatur	Ts °C/°F	Th °C/°F
Mindest-Innentemperatur	19,0 / 66,2	14,0 / 57,2
Maximale-Innentemperatur	32,0 / 89,6	23,0 / 73,4

Heizung Modus

Temperatur	Ts °C/°F	Th °C/°F
Mindest-Innentemperatur	15,0 / 59,0	-
Maximale-Innentemperatur	27,0 / 80,6	-

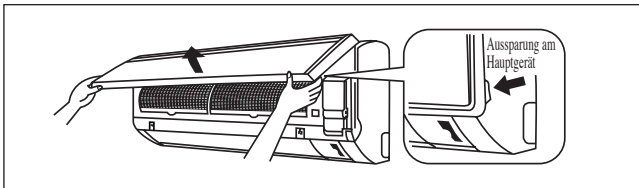
Ts: Trockenkugel-Temperatur.

Th: Feuchtkugeltemperatur.

LUFTFILTER

1. Öffnen der Frontplatte.

- Halten Sie die Platte an den Vertiefungen des Hauptgerätes (2 Vertiefungen auf der rechten und linken Seite), und heben Sie sie bis zum Anschlag an.



2. Ziehen Sie die Luftfilter heraus.

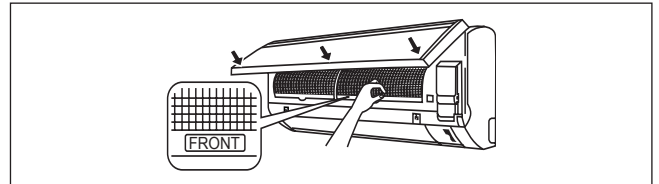
- Drücken Sie den Griff in der Mitte jedes Filters nach oben, ziehen Sie ihn dann nach unten heraus.

3. Reinigen oder ersetzen Sie alle Filter.

- Beim Abschütteln des restlichen Wassers den Filter nicht auswringen.

4. Stellen Sie den Luftfilter in die ursprüngliche Einstellung zurück und schließen Sie den Deckel auf der Vorderseite.

- Setzen Sie die Klemmen der Filter in die Schlitze der Frontplatte ein. Schließen Sie das Frontplatte langsam und drücken Sie das Platte an den 3 Punkten. (1 auf jeder Seite und 1 in der Mitte.)
- Der Luftfilter besitzt in der horizontalen Richtung eine symmetrische Form.



INSTANDHALTUNG UND WARTUNG

Wartungsteile	Wartungsverfahren
Luftfilter Innen-Gerät	<ol style="list-style-type: none"> 1. Luftfilter mit Staubsauger absaugen oder in lauwarmem Wasser (unter 40°C/104°F) mit neutraler Seife auswaschen. 2. Sorgfältig ausspülen und vor dem Wiedereinsetzen trocknen. 3. Kein Benzin, Verdüner oder Chemikalien verwenden, um den Filter zu reinigen.
Innen-Gerät	<ol style="list-style-type: none"> 1. Staub oder Schmutz an Gitter und Abdeckung mit einem weichen Tuch abwischen. Das Tuch vorher in lauwarmem Wasser (unter 40°C/104°F) mit neutraler Seife anfeuchten. 2. Kein Benzin, noch Verdüner oder sonstige Chemikalien zum Reinigen des Innengeräts verwenden.

1. Öffnen der Frontplatte.

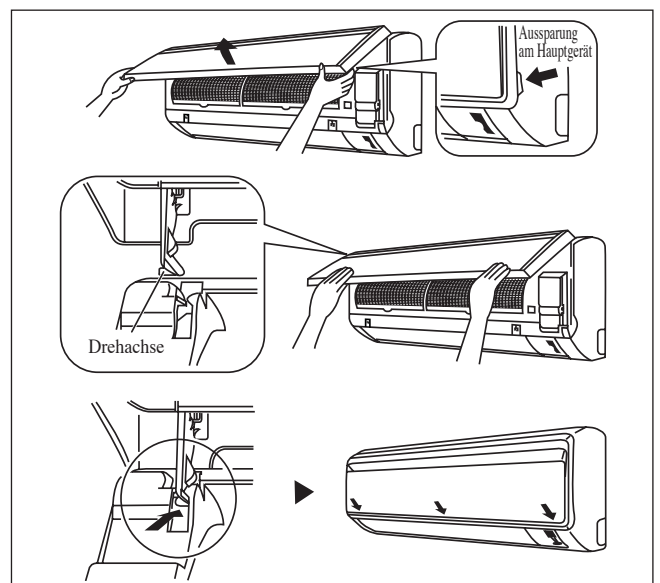
- Halten Sie die Platte an den Vertiefungen des Hauptgerätes (2 Vertiefungen auf der rechten und linken Seite), und heben Sie sie bis zum Anschlag an.

2. Abnehmen der Frontplatte.

- Während Sie die Frontplatte weiter anheben, schieben Sie sie nach rechts, und ziehen Sie sie zur Vorderseite. Die linke Drehachse wird gelöst. Schieben Sie die rechte Drehachse nach links, und ziehen Sie sie zum Abnehmen zur Vorderseite.

3. Anbringen der Frontplatte.

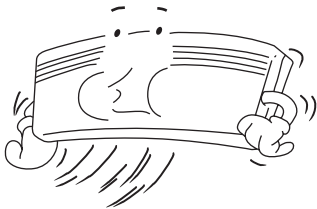
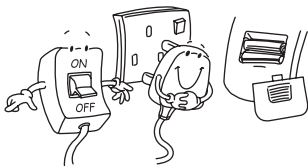
- Richten Sie die rechte und linke Drehachse der Frontplatte auf die Nuten aus, und drücken Sie sie bis zum Anschlag hinein.
- Die Frontplatte sachte schließen. (Beide Seiten und die Mitte der Frontplatte andrücken.)



⚠ VORSICHT

- Berühren Sie nicht die Metallteile des Innengerätes. Sie können sich verletzen.
- Stützen Sie das Frontplatte beim Aus- und Einbau fest mit einer Hand, damit es nicht herunterfällt.
- Verwenden Sie zum Reinigen kein heißes Wasser mit einer Temperatur von mehr als 40°C ist, kein Waschbenzin oder Benzin, keinen Verdüner oder andere verdunstende Öle, Poliermittel, Scheuerbürsten oder andere harte Gegenstände.
- Vergewissern Sie sich nach dem Reinigen, dass das Frontplatte sicher befestigt wurde.

Bei Längerer Nichtbenutzung Des Klima-Gerätes

<p>Betreiben Sie das Gerät 2 stunden lang in folgender.</p> <p>Einstellung Betriebsmodus : kühlen Temperatur : 30°C/86°F</p>		<p>Netzstecker ziehen. Falls das Klimagerät an einen eigenen Stromkreis angeschlossen ist, diesen Stromkreis unterbrechen (Sicherung herausdrehen oder Sicherungsautomat abschalten). Batterien aus der Fernbedienung nehmen.</p>	
--	---	---	---

STÖRUNGS-BEHEBUNG

Bei Fragen zu Ersatzteilen wenden Sie sich bitte an einen autorisierten Händler. Wenn eine Fehlfunktion des Klimagerätes festgestellt wird, dann sofort die Stromversorgung des Gerätes unterbrechen. Nachfolgend einige Hinweise zur Behebung von einfachen Störungen.

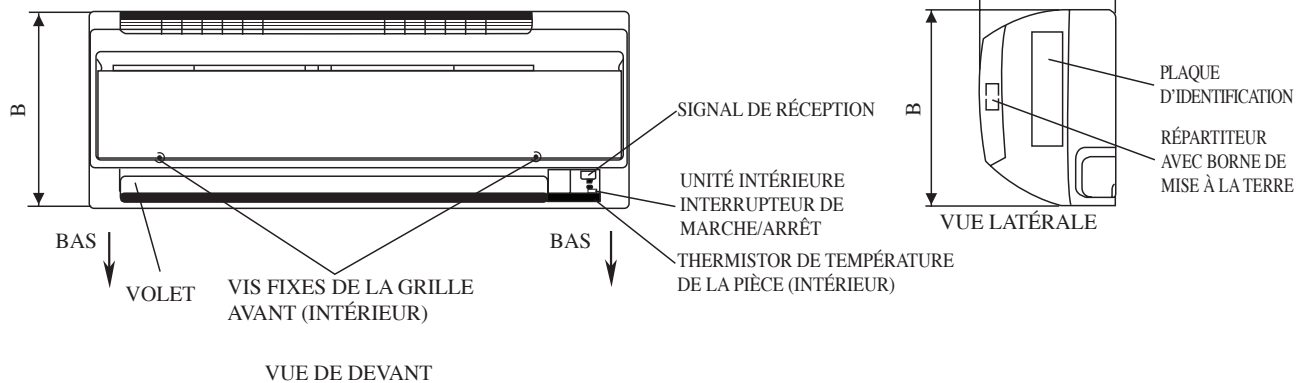
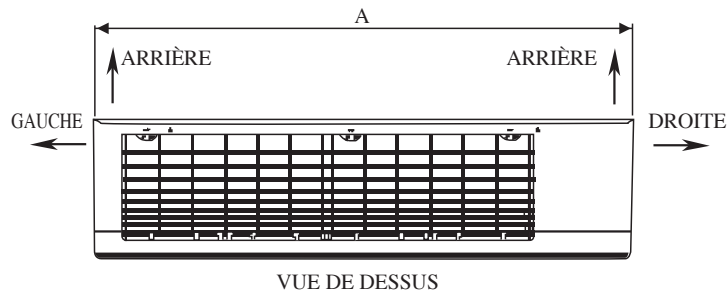
Störung	Ursache / Maßnahme
1. Das Klimagerät funktioniert nicht.	<ul style="list-style-type: none"> - Stromversorgung fehlerhaft/ggf. Sicherung austauschen. - Netzstecker nicht eingesteckt. - Timer möglicherweise falsch programmiert. - Kann die Störung nach all diesen Abklärungen nicht behoben werden, dann den Installateur des Klimagerätes kontaktieren.
2. Der Luftstrom ist zu schwach.	<ul style="list-style-type: none"> - Luftfilter verschmutzt. - Die Türen oder Fenster sind geöffnet. - Lufteinlaß bzw. Luftauslaß verstopft. - Regeltemperatur nicht hoch genug.
3. Die ausgeblasene Luft riecht unangenehm.	<ul style="list-style-type: none"> - Geruchsbildung möglicherweise durch Zigarettenrauch, Parfüm usw. und entsprechenden Ablagerungen am Wärmetauscher.
4. Kondensation am Vordergitter des Innengerätes.	<ul style="list-style-type: none"> - Bedingt durch Luftfeuchtigkeit nach längerem Betrieb des Gerätes. - Eingestellte Temperatur zu niedrig; Temperatureinstellung erhöhen und das Gerät bei hoher Gebläsedrehzahl laufen lassen.
5. Wasser fließt aus dem Klimagerät.	<ul style="list-style-type: none"> - Schalten Sie das Gerät aus und wenden Sie sich an Ihren Händler.

Kann die Störung nicht behoben werden, sollte der örtliche Kundendienst bzw. der Installateur benachrichtigt werden.

CONTOUR ET DIMENSIONS

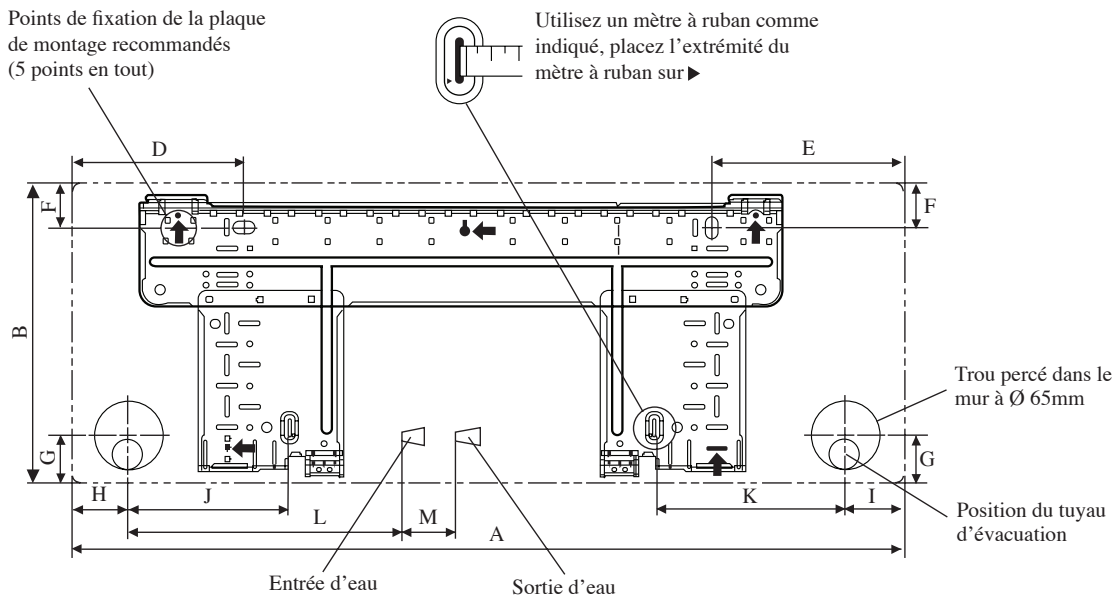
Unité Intérieure

LA MARQUE (→) INDIQUE LA DIRECTION DES TUYAUX



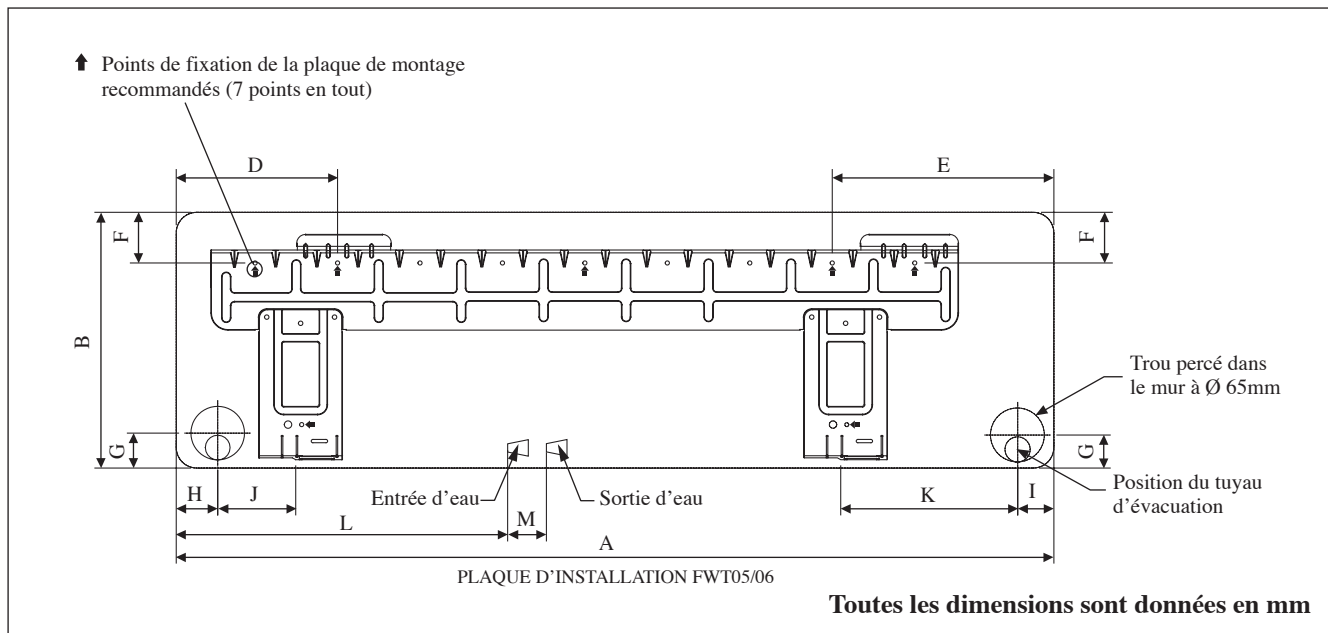
↑ Points de fixation de la plaque de montage recommandés (5 points en tout)

Utilisez un mètre à ruban comme indiqué, placez l'extrémité du mètre à ruban sur ▶



PLAQUE D'INSTALLATION FWT02/03/04

Toutes les dimensions sont données en mm



Dimension	A	B	C	D	E	F	G	H	I	J	K	L	M
FWT02/03/04	800	288	206	166	184	42	46	55	56	154	182	267	55
FWT05/06	1065	310	224	190	173	61	40	45	48	91	219	593	60

MANUEL D'INSTALLATION

Ce manuel fournit les procédures d'installation pour assurer le bon fonctionnement et la sécurité de cet appareil. Des ajustements peuvent être nécessaires pour suivre les réglementations locales.

Avant d'installer et de faire fonctionner le climatiseur, lisez attentivement ce manuel et conservez-le.

Cet appareil est destiné à être utilisé par des utilisateurs experts ou formés dans les magasins, dans l'industrie légère ou dans les fermes, ou pour un usage commercial par des personnes non spécialisées.

Cet appareil n'est pas destiné à être utilisé par des personnes, y compris les enfants, souffrant de capacités physiques, sensorielles ou mentales réduites, ou accusant un manque d'expérience et de connaissances, sauf si elles sont supervisées ou ont reçu des instructions concernant l'emploi de cet appareil d'une personne responsable de leur sécurité.

Les enfants doivent être supervisés pour s'assurer qu'ils ne jouent pas avec l'appareil.

PRÉCAUTIONS DE SÉCURITÉ

⚠ ATTENTION

- L'installation et la maintenance doivent être exécutées par une personne qualifiée qui est familiarisée avec les lois et réglementations en vigueur, et aussi expérimentée dans ce type d'équipements.
- Tous les câblages doivent répondre aux réglementations électriques nationales.
- Avant de commencer le raccordement suivant le schéma électrique, s'assurer que la tension nominale de l'appareil corresponde bien à celle indiquée sur la plaque signalétique.
- L'unité doit être raccordée à la TERRE pour prévenir tous les risques possibles dus à un défaut d'isolation.
- Aucun câble électrique ne doit toucher la tuyauterie du réfrigérant, le compresseur ou les pièces mobiles des moteurs de ventilation.
- Avant l'installation ou l'entretien du climatiseur, s'assurer que l'appareil est éteint (OFF).
- Débrancher l'appareil du circuit d'alimentation secteur avant de procéder à l'entretien du climatiseur.
- NE PAS retirer le câble d'alimentation électrique de la prise quand l'appareil est sous branché. Il peut en résulter des décharges électriques importantes susceptibles de provoquer un incendie.
- Les unités intérieures et extérieures, le cordon d'alimentation et le câblage de transmission doivent rester à une distance d'au moins 1m des téléviseurs et des radios, ce afin d'éviter les images déformées et les parasites. {En fonction du type et de la source des ondes électriques, des parasites peuvent être entendus même avec une distance supérieure à 1m}.

⚠ AVERTISSEMENT

Vérifier les points suivants au cours de l'installation.

- S'assurer que le tuyau d'évacuation du condensat est correctement branché.
 - ⚠ Si le tuyau d'évacuation n'est pas correctement branché, les éventuelles fuites d'eau risquent de mouiller le mobilier.
- S'assurer que le panneau supérieur de l'appareil est remis en place après l'installation ou l'entretien.
 - ⚠ Avec un panneau mal fixé l'appareil va fonctionner bruyamment.
- Les bords coupants et les surfaces du refroidisseur tuulaire présentent un risque de blessure. Mieux vaut éviter le contact avec ces endroits.
- Avant de couper l'alimentation électrique, veiller à ce que l'interrupteur ON/OFF de la télécommande soit en position « OFF » afin d'éviter une mise en marche intempestive de l'appareil. Si l'interrupteur de la télécommande n'est pas en position « OFF », les ventilateurs de l'appareil se mettront en marche dès que l'alimentation électrique est rétablie. Il peut en résulter un danger pour le personnel d'entretien ou l'utilisateur.
- Ne pas installer les appareils à proximité ou près d'un passage de porte.
- Ne pas utiliser un appareil de chauffage trop près d'une unité de climatisation ou l'utiliser dans une pièce où, de l'huile minérale ou de la vapeur d'huile existent, cela peut faire fondre ou se déformer les pièces en plastique en raison de la chaleur excessive ou de réaction chimique.
- Lorsque l'appareil est utilisé dans la cuisine, le garder loin de la farine qui peut aller dans d'aspiration de l'appareil.
- Cet appareil n'est pas approprié pour une utilisation en usine lorsqu'un brouillard d'huile de coupe ou de la poudre de fer existe ou bien quand la tension fluctue grandement.
- Ne pas installer les unités à des endroits comme une source d'eau chaude ou une raffinerie de pétrole où des gaz sulfureux existent.
- S'assurer que la couleur des câbles de l'unité extérieure et les marquages de bornes sont identiques à ceux de l'unité intérieure.
- **IMPORTANT : NE PAS INSTALLER OU UTILISER LE CLIMATISEUR DANS UNE BUANDERIE.**
- N'utilisez pas de câbles joints et torsadés pour l'alimentation électrique entrante.
- L'équipement n'est pas destiné à être utilisé dans une atmosphère potentiellement explosive.

AVIS

Exigences relatives à la mise au rebut

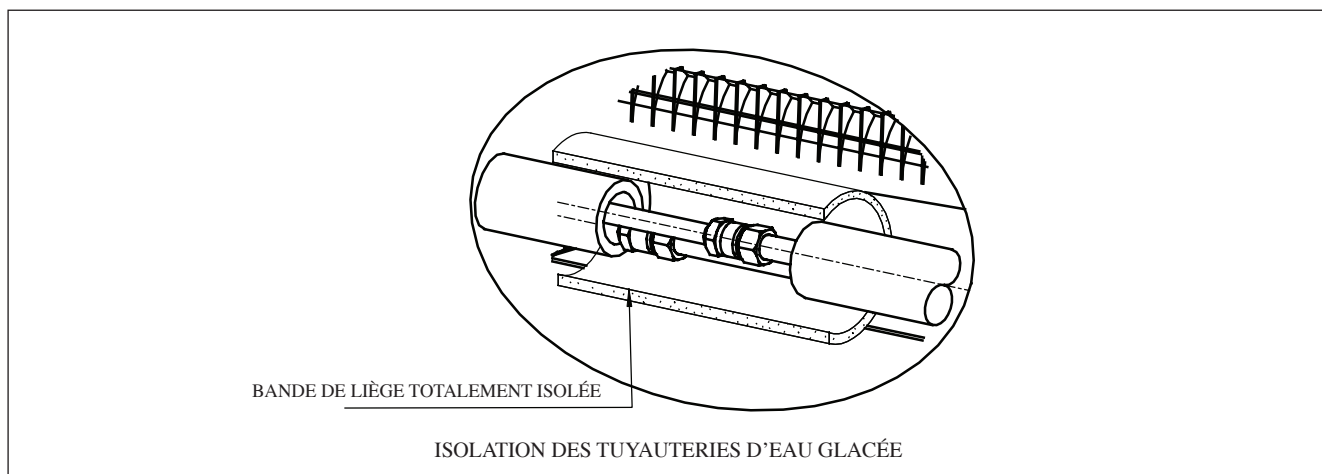
Cet appareil de conditionnement d'air porte le symbole ci-joint. Ce symbole signifie que les appareils électriques et électroniques doivent être éliminés séparément des ordures ménagères non triées.

N'essayez pas de démonter vous-même l'appareil : le démontage de l'appareil de conditionnement d'air ainsi que le traitement du réfrigérant, de l'huile et d'autres composants doivent être effectués par un installateur qualifié, en accord avec les réglementations locales et nationales en vigueur.

Les appareils de conditionnement d'air doivent être traités dans des installations spécialisées de dépannage, réutilisation ou recyclage. En vous assurant que cet appareil est éliminé correctement, vous contribuez à éviter les conséquences potentiellement néfastes sur l'environnement et la santé. Veuillez contacter votre installateur ou les autorités locales pour plus d'information. Les piles de la télécommande doivent être enlevées et éliminées séparément, conformément aux réglementations locales et nationales en vigueur.



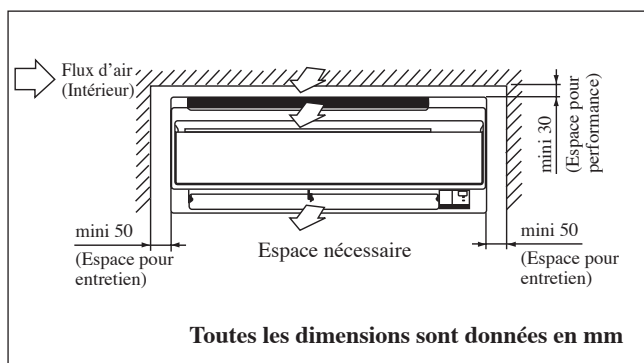
DIAGRAMME D'INSTALLATION



INSTALLATION DE L'UNITÉ INTÉRIEURE

Installer l'unité intérieure de traitement d'air de façon à ce qu'il n'y ait aucun obstacle sur la circulation de l'air (risque de recyclage de l'air refroidi au refoulement de l'unité et l'air à l'entrée). Veuillez respecter l'écartement d'installation illustré sur le diagramme. Ne pas exposer l'unité intérieure à l'influence directe de l'éclairage. L'emplacement de l'unité, doit permettre une évacuation aisée des condensats, et permettre une évacuation aisée des condensats, et doit être suffisamment loin des portes.

La tuyauterie d'eau peut être dirigée vers l'unité de plusieurs manières (sur la gauche ou la droite, depuis l'arrière de l'appareil), par le biais des orifices défonçables situés sur l'enveloppe de l'appareil (voir figure). Cintrer les tuyaux avec précaution afin de les aligner avec les orifices. Pour les sorties latérale et inférieure, maintenir le bas de la tuyauterie et la positionner dans la bonne direction (voir figure). Le flexible d'évacuation des condensats peut être fixé aux tuyaux.

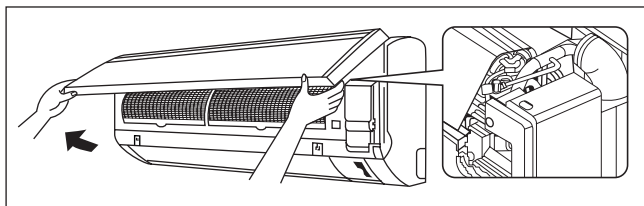


⚠ AVERTISSEMENT

Ne pas installer l'appareil à une altitude de plus de 2000m.

Purge d'air

Pour éviter d'endommager la pompe, la bobine du ventilateur ne doit pas être alimentée et toutes les conduites d'eau doivent avoir été purgées de leur air.

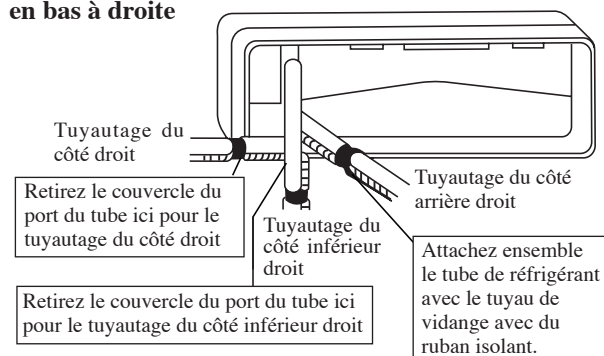


L'évent situé à l'intérieur de l'enveloppe. Retirez l'enveloppe et raccordez le flexible à l'évent pendant la purge.

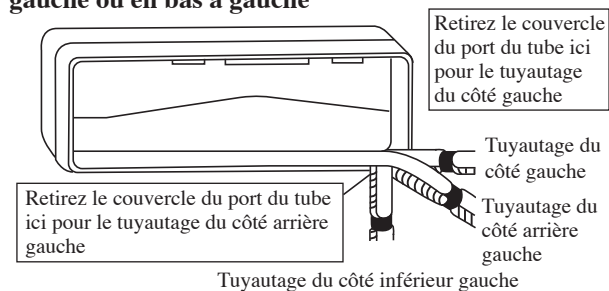
⚠ AVERTISSEMENT

Assurez-vous qu'aucune goutte d'eau ne tombe dans le boîtier de commande pendant la purge.

Tuyauterie sur le côté droit, à l'arrière droite ou en bas à droite



Tuyauterie sur le côté gauche, à l'arrière gauche ou en bas à gauche

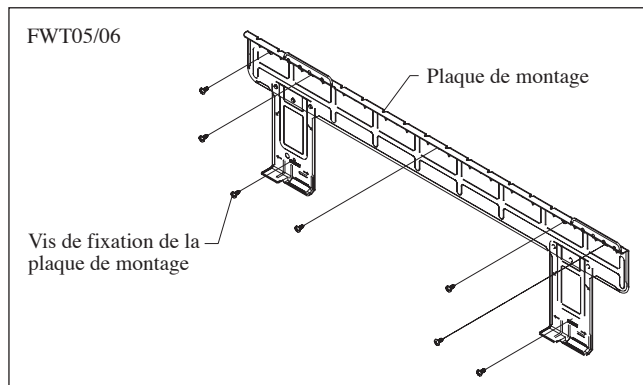
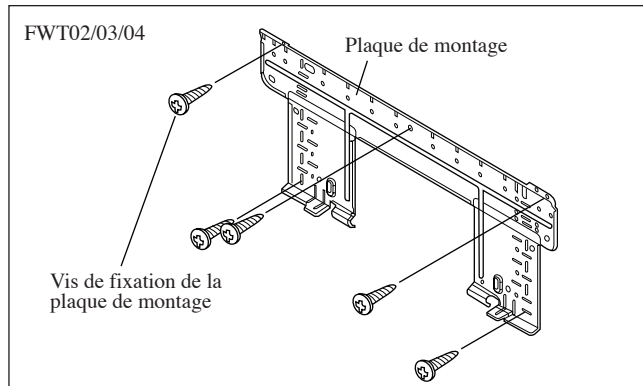


Montage De La Platine Support

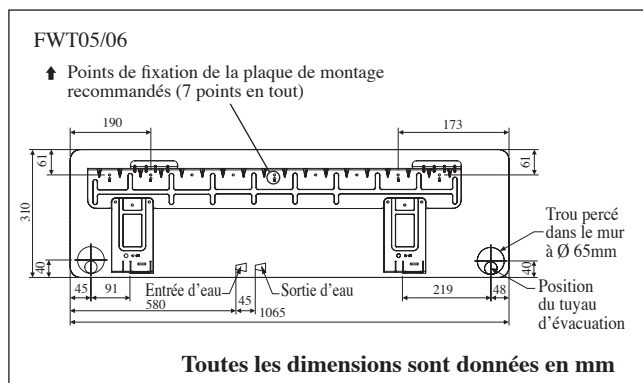
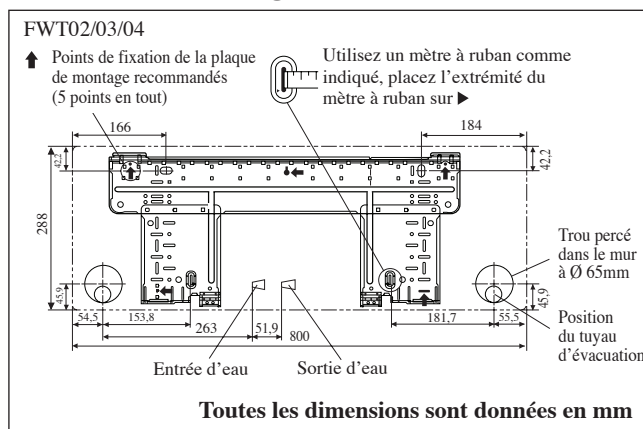
S'assurer que le mur de support soit suffisamment résistant, pour supporter le poids de l'unité et éviter toutes vibrations. Selon la composition du mur, utiliser des vis chevilles appropriées pour la fixation de la platine support.

Utilisez l'indicateur de niveau pour le montage horizontal, et fixez-le avec 5 vis adaptées pour FWT02/03/04 et 7 vis adaptées pour FWT05/06.

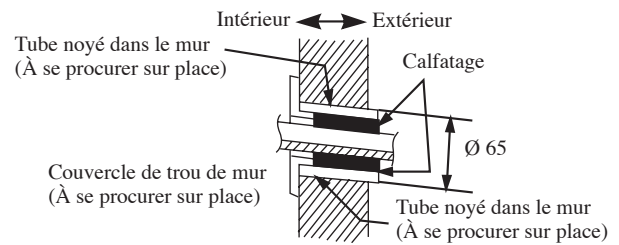
Dans le cas de sortie arrière des tuyauteries, percer le trou 65mm pour les canalisations à l'aide d'une scie cloche. Le trou aura une légère pente vers l'unité extérieure (voir la figure).



Point De Retenue Et Dimensions Recommandés Pour La Platine De Montage



Trou Avec Perceuse En Cône



Mise En Place De L'unité De La Platine Support

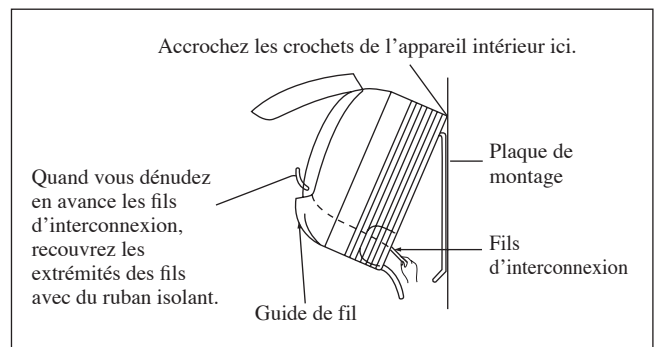
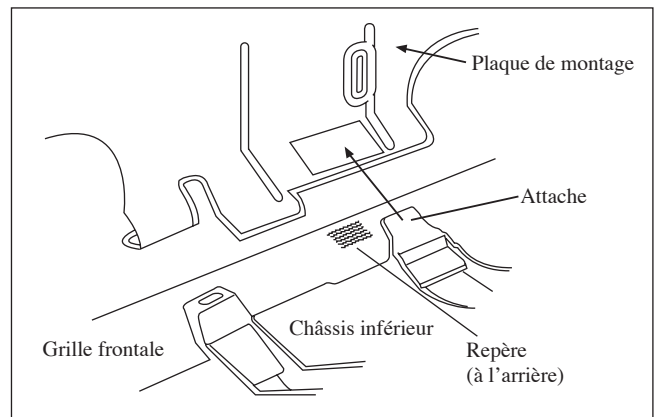
Positionner dans un premier temps l'unité intérieure sur la languette d'accrochage supérieure de support. Pour vous assurer que les crochets sont correctement installés sur la plaque d'installation, essayez de les faire légèrement bouger de gauche à droite.

Comment Fixer L'unité Interne

Accrochez les griffes de la structure inférieure à la plaque de montage.

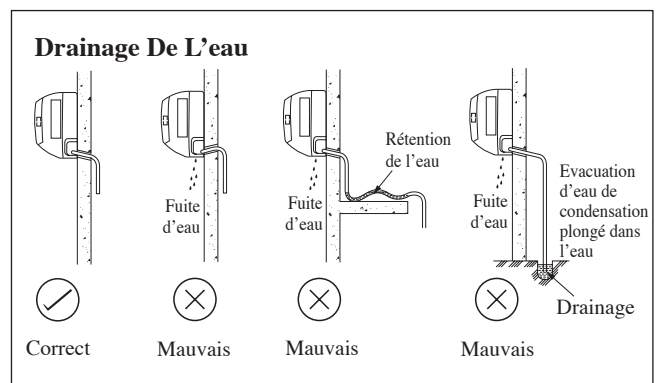
Comment Démonter L'unité Interne

Soulevez la zone marquée d'un repère (au bas de la grille avant) pour libérer les griffes.



Évacuation Des Condensats

Le tube d'évacuation des condensats de l'unité devra être, dans la mesure du possible, dirigé vers la sortie arrière des tuyauteries a travers le mur de support. Evitez les situations susceptibles de causer une fuite d'eau.



Français

Raccordement des tuyauteries

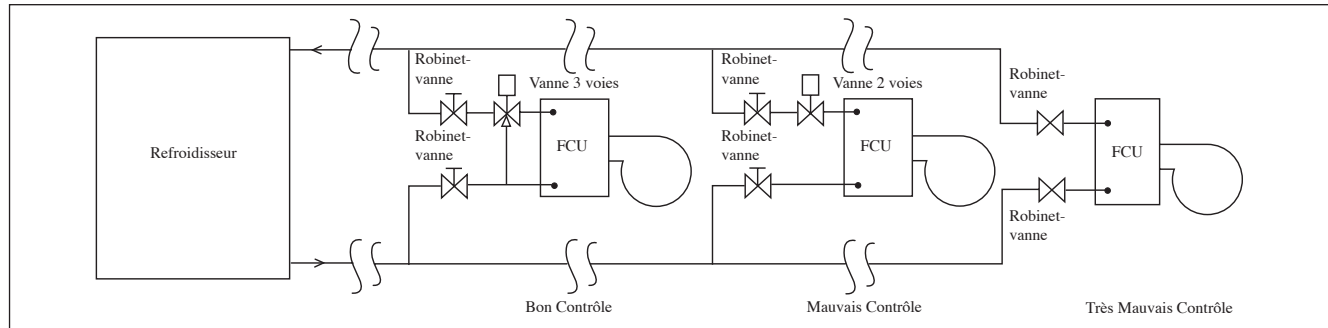
L'unité intérieure est pourvue d'un raccordement fileté pour l'entrée et la sortie d'eau. Un évent de purge d'air est fixé au collecteur de sortie. Une 3 voies est nécessaire pour l'arrêt du cycle ou la dérivation de l'eau glacée.

Des tuyaux en acier noir, en polyuréthane, en PVC et en cuivre sont recommandés pour l'installation chez le client.

Tous les types de tuyauterie et de raccords doivent être isolés au moyen de polyuréthane (de type ARMAFLEX ou équivalent) pour éviter la condensation.

N'utilisez pas de tuyaux et raccords contaminés ou endommagés pour l'installation.

Certains composants de raccordement principaux sont nécessaires pour optimiser le système et faciliter le service : robinet-vanne, vanne d'équilibrage, 2 voies ou 3 voies, filtre, crépine.



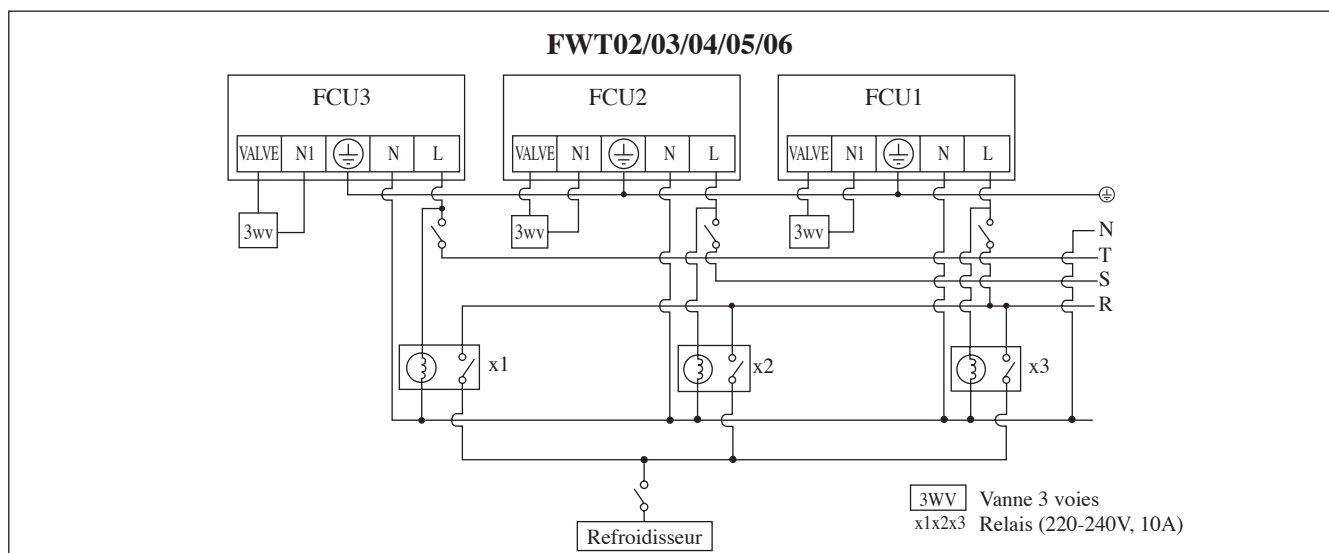
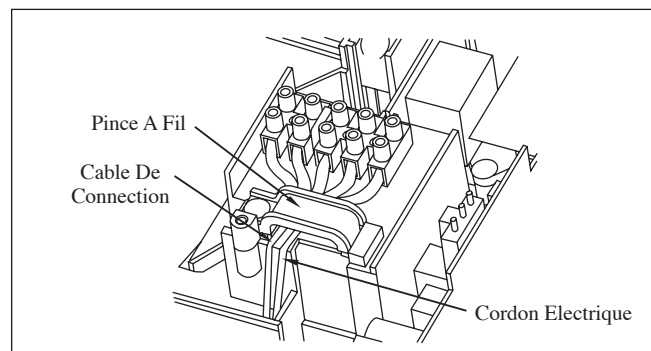
RACCORDEMENT ÉLECTRIQUE

IMPORTANT : * Ces valeurs sont données à titre indicatif seulement; elles doivent être vérifiées et ajustées en fonction des normes et de la réglementation en vigueur. Elles dépendent aussi du type d'installation et des conducteurs utilisés.

** Le voltage adéquat doit être vérifié avec les données de l'étiquette sur l'appareil. Il doit y avoir une déconnexion de tous les pôles de l'alimentation secteur avec une séparation des contacts d'au moins 3mm.

Modèle	FWT02/03/04/05/06	
Tension d'alimentation**	220V – 240V/1Ph/50Hz + ⊕	
Section du câble d'alim*	mm²	1,5
Nombre de conducteurs		3
Fusible temporisé recommandé	A	2

- Tous les fils doivent être fermement connectés.
- Aucun fils ne doivent toucher les tubes frigorifiques, le compresseur ou une autre partie mobile du moteur de ventilateur.
- Les fils se reliant à l'unité d'intérieur doivent être maintenus sur les brides de fil comme représenté sur la figure.
- Le cordon d'alimentation doit être équivalent à la norme H07RN-F qui constitue la condition minimale, et doit être utilisé dans un tube de protection.

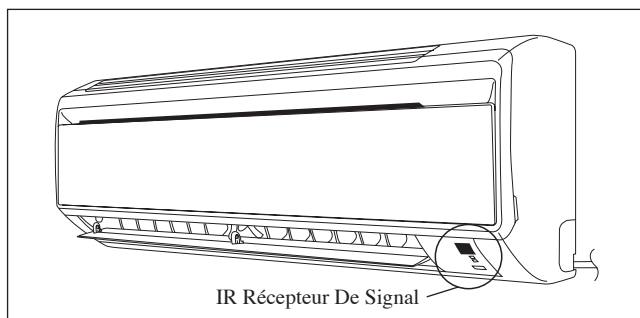


L'INDICATEUR S'ALLUME

IR Récepteur De Signal

Lorsqu'un signal de fonctionnement est transmis par une télécommande à infrarouges, le récepteur de signal de l'unité intérieure répond comme ci-dessous pour confirmer l'acceptation de la transmission du signal.

MARCHE vers ARRÊT	1 bip long
ARRÊT vers MARCHE Pompe bas/Force de refroidissement activée	2 bips courts
Autres	1 bips courts

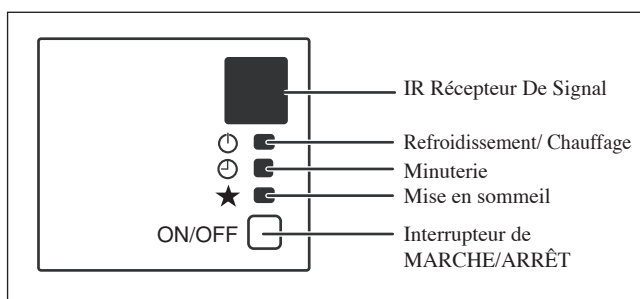


L'indicateur LED S'allume Pour L'Unité De Refroidissement/Module Pompe À Chaleur

Module Refroidisseur/Module Pompe À Chaleur

Le tableau ci-dessous reprend en détail la visualisation par led, des conditions normales de fonctionnement, et conditions de défaut du climatiseur.

Les voyants de signalisation de LED sont situés en bas à droite du climatiseur.



L'indicateur LED S'allume: Conditions De Fonctionnement Normales Et Par Défaut Pour L'Unité De Refroidissement/Module Pompe À Chaleur

	 REFROIDISSEZ/ CHALEUR (VERT/ROUGE)		Opération/Indication de panne	Action	Code de l'erreur
	 Vert		Mode refroidissement	-	-
	 Rouge		Mode chauffage	-	-
			Minuterie en marche	-	-
			Mode de sommeil	-	-
			Mode ventilateur activé	-	-
			Mode sec activé	-	-
	 1 fois		Défaut de la sonde de reprise d'air lachement/court	Contactez votre revendeur	L'indicateur E1 clignote
	 2 fois		Capteur à bobine intérieur ouvert/court	Contactez votre revendeur	L'indicateur E2 clignote
		 3 fois	Faible température du tuyau d'eau	-	L'indicateur E4 clignote
		 1 fois	Mauvaise température du tuyau d'eau	-	L'indicateur E5 clignote
		 6 fois	Erreur matérielle (broche de commutation discrète faible)	Contactez votre revendeur	L'indicateur E8 clignote
	 4 fois		Aucune réaction du ventilateur intérieur	Contactez votre revendeur	L'indicateur E9 clignote

○ SUR

○/● Led Allumée Ou Éteinte

● Led clignotante

OPERATION DU CLIMATISEUR

Déshumidification

- Lorsque le taux d'humidité de l'air est élevé, le climatiseur peut fonctionner en mode de déshumidification. Appuyer sur la touche <MODE> et sélectionner <DRY>.
- Au cas où la température de la pièce est de 2°C/3,6°F supérieure à la température affichée, le climatiseur - avant de passer en mode de déshumidification - fonctionnera en mode de refroidissement jusqu'à ce que la température soit retombée dans la limite des 2°C/3,6°F de différence par rapport à la température affichée.
- Si la température de la pièce se trouve dans la limite des 2°C/3,6°F de différence par rapport à la température affichée, l'appareil fonctionnera directement en mode de déshumidification.
- En mode de déshumidification, l'appareil fonctionne à FAIBLE vitesse de ventilatio.

Chauffage (concerne seulement la pompe à chaleur)

- Lorsque l'appareil est réglé en mode courant d'air froid ou après un cycle de dégivrage, le ventilateur intérieur se mettra à tourner seulement une fois que le serpentin aura atteint la température souhaitée.
- Pour le réglage en mode ventilateur, le ventilateur intérieur fonctionnera en continu une fois l'unité en position ON.
- Lorsque la température souhaitée est atteinte, le ventilateur intérieur tournera jusqu'à ce que le serpentin ne puisse plus fournir de chaleur supplémentaire.

Contrôle Du Débit D'air

- Pour obtenir une meilleure circulation d'air, vous pouvez ajuster la grille de refoulement d'air froid vers la gauche ou vers la droite à la main.
- Pendant le fonctionnement en mode froid ou déshumidification, il n'y a pas un refoulement d'air froid pendant un long moment vers le bas. Car il pourrait se produire de la condensation sur les volets d'air suivi d'un écoulement d'eau.

Vitesse De Ventilation Et Capacité Nominale De Refroidissement

- La capacité nominale de refroidissement peut être atteinte en vitesse de ventilation ÉLEVÉE.
- La capacité de refroidissement est plus faible lorsque l'appareil fonctionne en vitesse de ventilation MOYENNE ou FAIBLE.

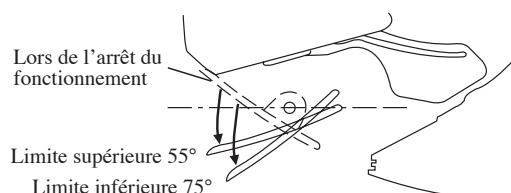
Remarques Sur les Angles Des Volets Et Déflecteurs

- Lorsque vous sélectionnez la touche « OSCILLATION », la plage d'oscillation des volets dépend du mode de fonctionnement. (Voir la figure.)

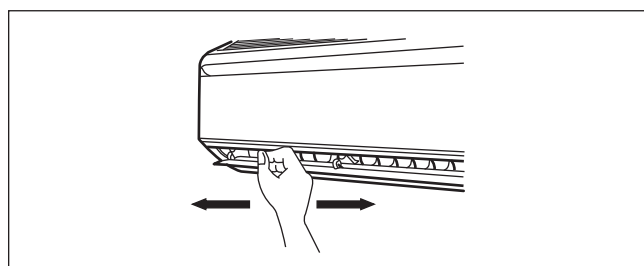
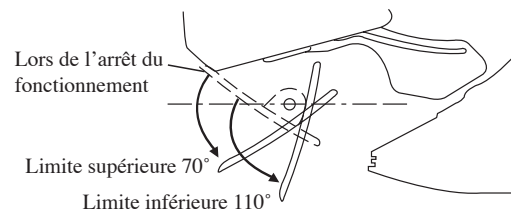
ATTENTION

- Réglez toujours l'angle du volet avec la télécommande. Si vous tentez de forcer le volet à la main alors qu'il pivote, le mécanisme pourrait se casser.
- Faites attention lorsque vous réglez les déflecteurs. Un ventilateur tourne à grande vitesse à l'intérieur de la sortie d'air.

En mode REFROIDISSEMENT, SECHAGE, et VENTILATEUR



En mode CHAUFFAGE



PLAGE D'EXPLOITATION

Limites de fonctionnement:

Porteur thermique : Eau

Température de l'eau : 4-10°C Refroidissement, 35-50°C Chauffage

Pression d'eau maximale : 16 bars

Température de l'air : (comme ci-dessous)

Refroidissement Mode

Température	Ts °C/°F	Th °C/°F
Température intérieure minimum	19,0 / 66,2	14,0 / 57,2
Température intérieure maximum	32,0 / 89,6	23,0 / 73,4

Mode chauffage

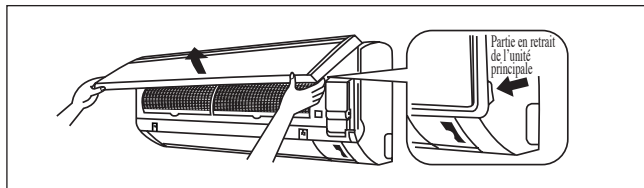
Température	Ts °C/°F	Th °C/°F
Température intérieure minimum	15,0 / 59,0	-
Température intérieure maximum	27,0 / 80,6	-

Ts: Température au thermomètre sec. Th: Température au thermomètre mouillé.

FILTRE À AIR

1. Ouvrez le panneau avant.

- Tenez le panneau par les parties en retrait de l'unité principale (2 parties en retrait à droite et à gauche) et soulevez-le jusqu'à ce qu'il s'arrête.



2. Retirez les filtres à air.

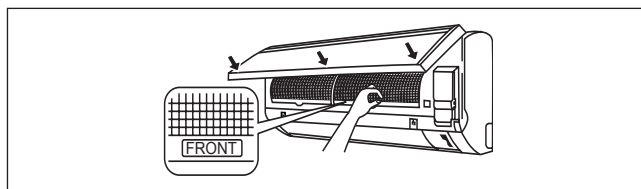
- Soulevez un peu la languette située au centre de chaque filtre à air, puis abaissez-la.

3. Nettoyez ou remplacez chaque filtre.

- Lorsque vous égouttez l'eau restante, ne tordez pas le filtre pour l'essorer.

4. Réinstallez le filtre à air et refermez le panneau avant.

- Insérez les griffes des filtres dans les logements du panneau avant. Fermez doucement le panneau avant et poussez le panneau sur les 3 points. (1 de chaque côté et 1 au milieu)
- Le filtre à air a une forme symétrique dans la direction horizontale.



ENTRETIEN ET MAINTENANCE

Pieces A Entretien	Procédure D'Entretien
Filtre à air intérieur	<ol style="list-style-type: none"> 1. Enlever la poussière du filtre à l'aide d'un aspirateur ou en lavant le filtre à l'eau tiède (moins de 40°C/104°F) avec un détergent neutre. 2. Bien rincer et sécher le filtre avant de le remettre en place. 3. Ne pas utiliser de gasoil, de substances volatiles ou autres produits chimiques pour nettoyer le filtre.
Unité intérieure	<ol style="list-style-type: none"> 1. Nettoyer la grille et le panneau en les essuyant avec un chiffon doux mouillé à l'eau tiède (moins de 40°C/104°F) et un détergent neutre. 2. Ne pas utiliser de gasoil, de substances volatiles ou autres produits chimiques pour nettoyer l'unité intérieure.

1. Ouvrez le panneau avant.

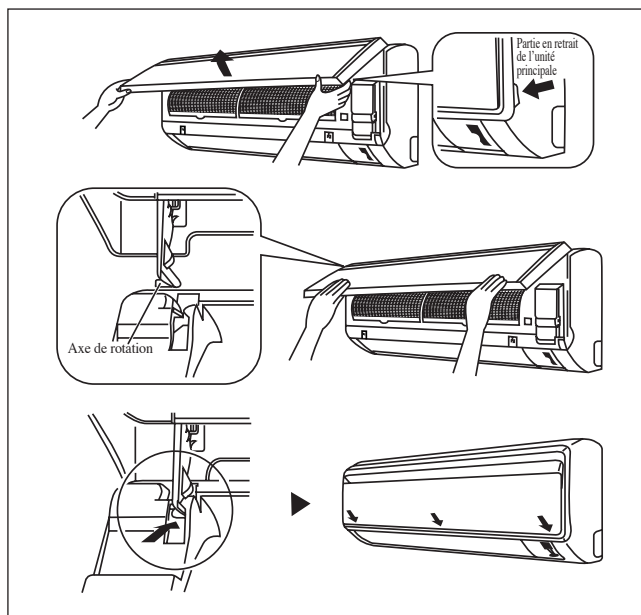
- Tenez le panneau par les parties en retrait de l'unité principale (2 parties en retrait à droite et à gauche) et soulevez-le jusqu'à ce qu'il s'arrête.

2. Retirez le panneau avant.

- Tout en soulevant plus le panneau avant, faites-le glisser vers la droite et tirez-le vers l'avant pour détacher l'axe de rotation à gauche. Faites glisser l'axe de rotation à droite vers la gauche et tirez-le vers l'avant pour le retirer.

3. Fixez le panneau avant.

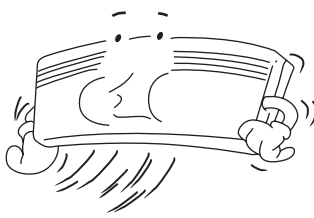
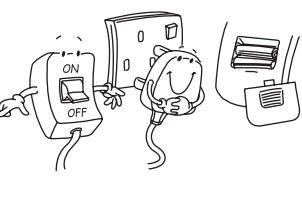
- Alignez les axes de rotation à droite et à gauche du panneau avant avec les rainures et repoussez-les à fond à l'intérieur.
- Refermez doucement le panneau avant. (Faites pression au deux extrémités et au centre du panneau avant.)



⚠ AVERTISSEMENT

- Ne touchez pas les parties métalliques de l'unité intérieure. Vous pourriez vous blesser.
- Lorsque vous démontez ou montez le panneau avant, empoignez-le fermement pour éviter qu'il ne tombe.
- Pour le nettoyage, n'utilisez pas d'eau chaude de plus de 40°C, ni benzine, ni essence, ni diluant, ni huiles volatiles, ni cirages, ni brosses à récurer, ni objets durs.
- Après le nettoyage, assurez-vous que le panneau avant est bien fixé.

Mise A L'Arrêt Prolongue Du Climatiseur

<p>Faites fonctionner l'unité pendant 2 heures sur les réglages suivants.</p> <p>Mode de fonctionnement : froid Température : 30°C/86°F</p>		<p>Retirer la prise du secteur. Si vous utilisez un circuit électrique unique pour le climatiseur, coupez le circuit. Enlever les piles de la télécommande.</p>	
---	---	---	---

DÉPANNAGE

Pour tout renseignement concernant les pièces détachées, contacter votre revendeur agréé. En cas de dysfonctionnement du climatiseur, éteindre immédiatement l'alimentation électrique de l'unité. Vérifier ensuite les points suivants pour détecter la nature et les causes de la panne.

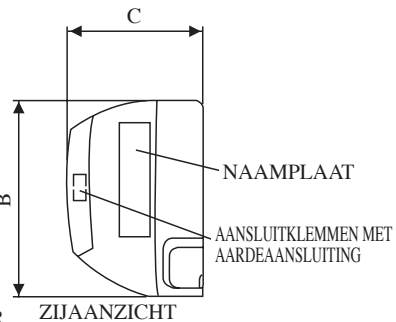
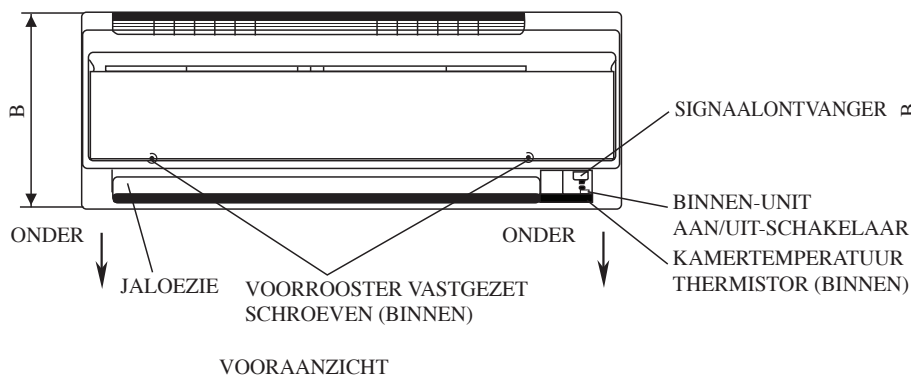
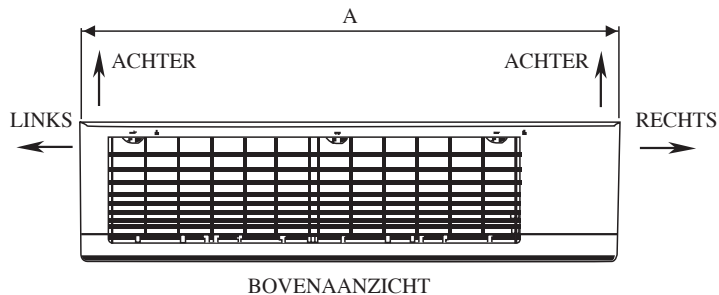
Defauts	Causes / Action
1. Le climatiseur ne fonctionne pas.	<ul style="list-style-type: none"> - Panne d'alimentation ou le fusible est à changer. - La prise de courant est peut être débranchée. - La programmation de mise en marche/arrêt est peut-être mal réglée. - Si le problème persiste après toutes ces vérifications, veuillez contacter l'installateur du climatiseur.
2. Le flux d'air est trop faible.	<ul style="list-style-type: none"> - Le filtre à air est sale. - Les portes ou les fenêtres sont ouvertes. - Les entrées et sorties d'air sont bouchées. - La température réglée n'est pas assez élevée.
3. L'air dégagé a une mauvaise odeur.	<ul style="list-style-type: none"> - Les odeurs peuvent provenir de fumées de cigarettes, parfums ou autres particules adhérents au refroidisseur.
4. Condensation sur la grille frontale de l'unité intérieure.	<ul style="list-style-type: none"> - La condensation est due à l'humidité de l'air après une période de fonctionnement prolongée. - La température affichée est trop basse; augmenter la température et faire tourner l'appareil à vitesse de ventilation élevée.
5. Ecoulement d'eau du climatiseur.	<ul style="list-style-type: none"> - Mettez l'unité hors tension et appelez le revendeur.

Si les pannes persistent, appeler votre revendeur ou le service après-vente.

SCHETSMATIGE WEERGAVE EN AFMETINGEN

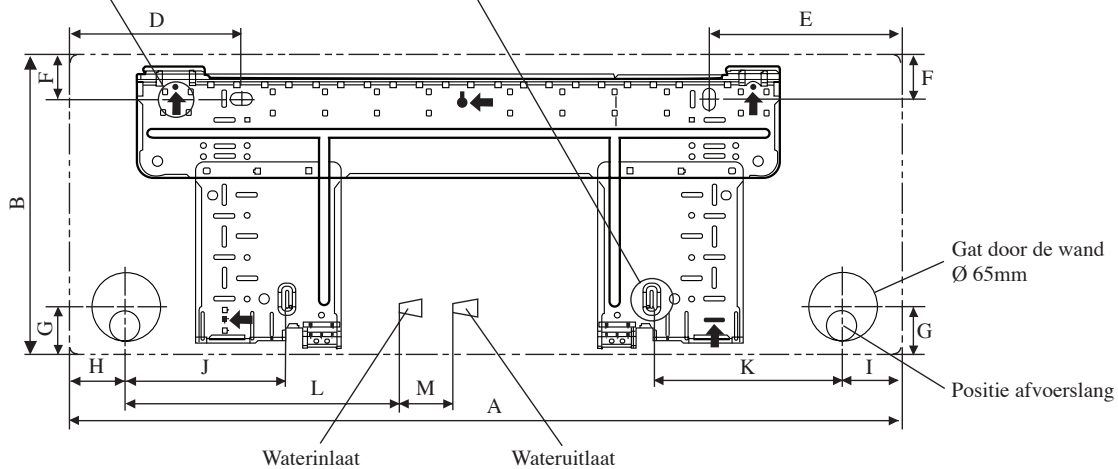
Binnenunit

HET MERKTEKEN (→) TOONT LEIDINGRICHTING

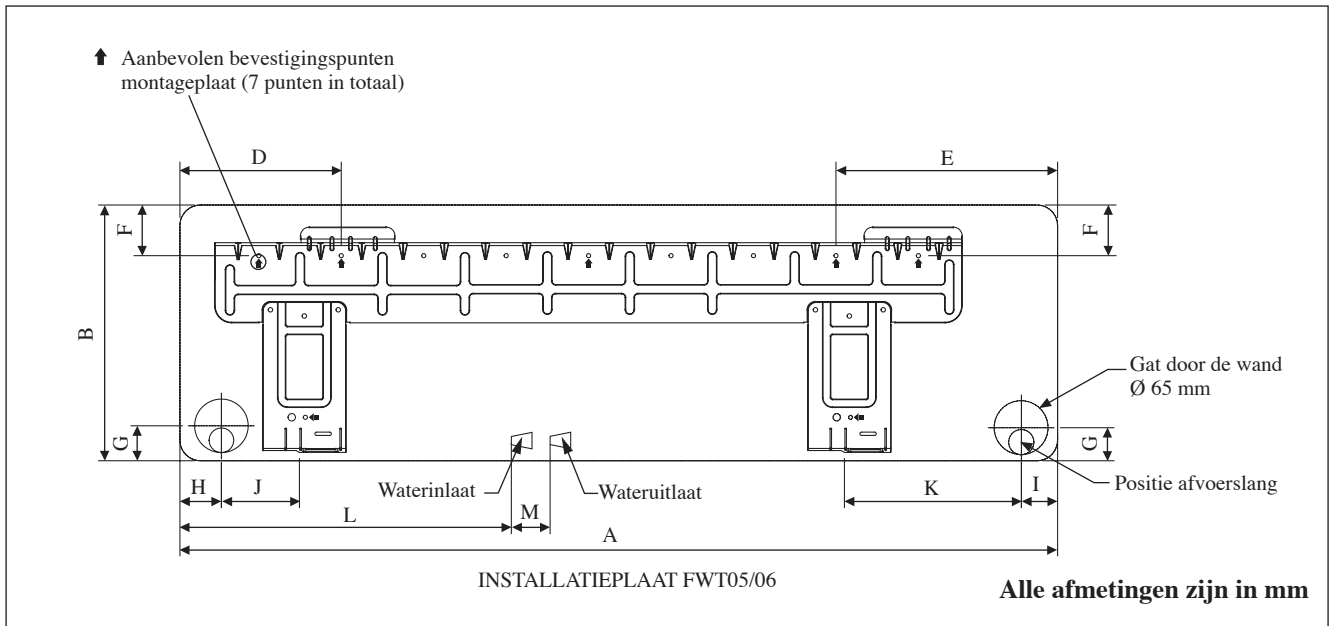


↑ Aanbevolen bevestigingspunten montageplaat (5 punten in totaal)

Gebruik meelint zoals wordt getoond. Plaats het uiteinde van een meelint op →



Alle afmetingen zijn in mm



Afmeting	A	B	C	D	E	F	G	H	I	J	K	L	M
Model													
FWT02/03/04	800	288	206	166	184	42	46	55	56	154	182	267	55
FWT05/06	1065	310	224	190	173	61	40	45	48	91	219	593	60

INSTALLATIEHANDLEIDING

In deze handleiding worden de procedures voor de installatie gegeven voor een veilige en goede werking van de airconditionings-unit. Lokale omstandigheden kunnen speciale aanpassingen nodig maken.

Lees, voordat u de airconditioning gebruikt, deze instructiehandleiding aandachtig door en bewaar de handleiding zodat u deze ook later nog kunt raadplegen. Dit apparaat is bedoeld voor gebruik door deskundige of getrainde gebruikers, in lichte industrieën en op boerderijen of voor commercieel gebruik door leken.

Dit apparaat is niet bedoeld voor gebruik door personen, inclusief kinderen, met verminderde fysieke, zintuiglijke of mentale mogelijkheden, of met een gebrek aan ervaring en kennis, tenzij zij onder toezicht staan of onderricht zijn in het gebruik van het apparaat door een persoon die verantwoordelijk is voor hun veiligheid.

Zie erop toe dat kinderen niet met het apparaat spelen.

VOORZORGSMAATREGELEN VOOR EEN VEILIG GEBRUIK

WAARSCHUWING

- Installatie en onderhoud moeten worden uitgevoerd door gekwalificeerde personen die bekend zijn met de plaatselijke wetten en voorschriften en die ervaring hebben met dit type apparatuur.
- Alle veldbedrading moet worden geïnstalleerd in overeenstemming met de landelijk geldende bedravingsvoorschriften.
- Controleer, voordat u begint met bedravingswerkzaamheden volgens het bedradingsschema, dat de nominale spanning van de unit overeenkomt met die van het naamplaatje.
- De unit moet worden GEAARD zodat gevaren die kunnen ontstaan door isolatiefouten, zich niet kunnen voordoen.
- De elektrische bedrading mag nergens de leidingen van het koelmiddel of welke bewegende delen van de ventilatormotoren dan ook raken.
- Controleer dat de unit is uitgeschakeld (OFF) voordat u installatie- of servicewerkzaamheden aan de unit verricht.
- Verbreek de aansluiting op de hoofdstroomvoorziening voordat u servicewerkzaamheden aan de airconditioning-unit verricht.
- Trek NIET de stekker van het netsnoer uit het stopcontact wanneer de unit is ingeschakeld (ON). Dit kan ernstige elektrische schokken tot gevolg hebben die kunnen leiden tot brandgevaar.
- Houd de binnen- en buiten-units, netsnoeren en transmissiebedrading ten minste 1m verwijderd van TV- en radiotoestellen, zodat geen vervormd beeld en statische lading kan ontstaan. {Afhankelijk van het type en de bron van de elektrische golven kan een ontlading van statische elektriciteit hoorbaar zijn, ook als u een afstand van meer dan 1m aanhoudt}.

LET OP

Let bij het installeren vooral goed op de volgende belangrijke punten.

- **Controleer dat de afvoerleiding goed is aangesloten.**
 Als de afvoerleiding niet goed is aangesloten, kan hierdoor lekkage van water ontstaan en kan het meubilair vochtig worden.
- **Controleer dat het paneel van de unit wordt gesloten na service- of installatiewerkzaamheden.**
 Wanneer panelen niet goed zijn vastgezet, zal de unit lawaai maken tijdens de werking.
- **Scherpe randen en oppervlakken van spoelen zijn plaatsen waar u het risico loopt u te bezeren.**
Ga voorzichtig te werk zodat u niet in contact komt met deze plaatsen.
- **Zet, voordat u de stroomvoorziening uitschakelt, de Aan/Uit-schakelaar (ON/OFF) van de afstandsbediening in de stand "OFF" zodat de unit niet per ongeluk kan worden uitgeschakeld.** Als u dit niet doet, zullen de ventilatoren van de unit automatisch beginnen te draaien wanneer de stroomvoorziening wordt ingeschakeld, wat een risico voor servicepersoneel of de gebruiker tot gevolg kan hebben.
- **Installeer de eenheid niet in of bij een deuropening.**
- **Werk niet met een verhitingsapparaat te dicht bij de airconditioner-eenheid of gebruik in ruimte, waar minerale olie, oliedamp of oliestoom aanwezig is.** Dit kan tot gevolg hebben dat het plastic deel smelt of vervormd wordt als gevolg van de excessieve hitte of een chemische reactie.
- **Wanneer men de eenheid in de keuken gebruikt, laat dan geen bloem door de zuigkracht de eenheid binnenkomen.**
- **Deze eenheid is niet geschikt voor gebruik in de fabriek, als er oliedamp aanwezig is of het voltage sterk fluctueert.**
- **Installeer de eenheid niet in een gebied, waar een hete bron is of ook bij een olieraffinaderij, waar er sulfide-gas aanwezig is.**
- **Het is belangrijk dat de kleur van de draden van de buiten-unit en de markeringen op de aansluitingen dezelfde zijn als die van de binnen-units.**
- **BELANGRIJ : INSTALLEER OF GEBRUIK DE AIRCONDITIONER NIET IN EEN WASSERIJ.**
- **Gebruik geen doorverbonden of gedraaide draden voor de inkomende stroomvoorziening.**
- **De apparatuur is niet bedoeld om gebruikt te worden in een mogelijk explosieve atmosfeer.**

MEDEDELING

Eisen die men stelt aan wegdoen

Uw airconditioner is gemarkeerd met dit symbool. Dit betekent dat elektrische en elektronische producten niet met ongesorteerd huishoudelijk afval mogen worden gemengd.

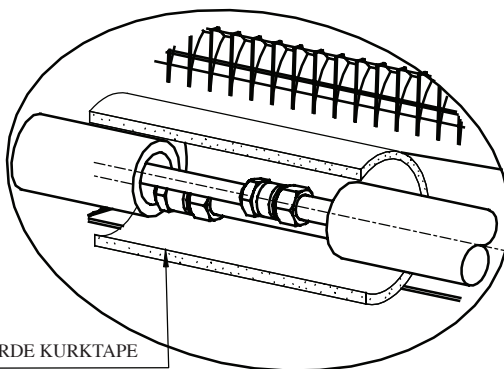
Probeer niet zelf het systeem uit elkaar te halen: het airconditioningssysteem uit elkaar halen, het behandelen van het koelmiddel, olie en andere onderdelen moet worden uitgevoerd door een vakbekwame installateur in overeenstemming met de relevante lokale en nationale wetgeving.

Airconditioners moeten worden verwerkt in een bedrijf dat is gespecialiseerd in hergebruik, recycling en terugwinning. Door ervoor te zorgen dat dit product op juiste wijze wordt verwerkt helpt u mogelijke negatieve gevolgen voor het milieu en de menselijke gezondheid te voorkomen. Neem voor informatie contact op met de installateur of de lokale overheid.

Batterijen moeten uit de afstandsbediening worden gehaald en apart worden verwerkt in overeenstemming met de relevante lokale en nationale wetgeving.



INSTALLATIESCHEMA

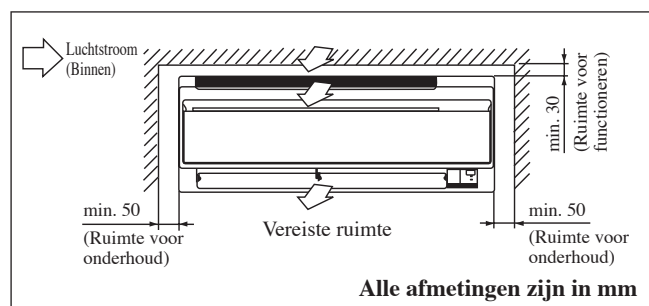


VOLLEDIG GEÏSOLEERDE KURKTAPE

ISOLATIE OVER DE GEHELE KOUDWATERLEIDING

INSTALLATIE VAN DE BINNEN-UNIT

De binnen-unit moet zo worden geïnstalleerd dat de koude uitgestoten lucht en de warme retourlucht elkaar niet kunnen tegenkomen. Houd u aan de installatieruimte die in de afbeelding wordt getoond. Plaats de binnenunit niet op een plaats waar er direct zonlicht op kan vallen. Ook moet deze locatie geschikt zijn voor het aanleggen van leidingen en afvoeren en verwijderd zijn van deuren en ramen.

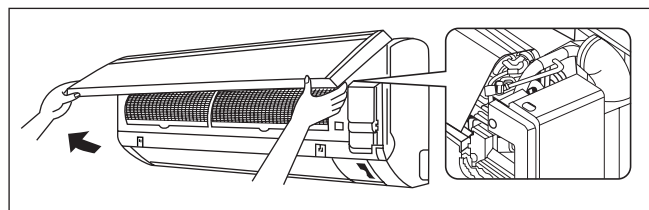


! LET OP

Installeer de eenheid niet op een hoogte van 2000 meter.

Lucht laten ontsnappen

Voorkomen moet worden dat de pomp wordt beschadigd en daarom mag er pas stroom op de ventilatorspoel-unit worden gezet als de spoel en alle waterleidingen zijn ontdaan van lucht.



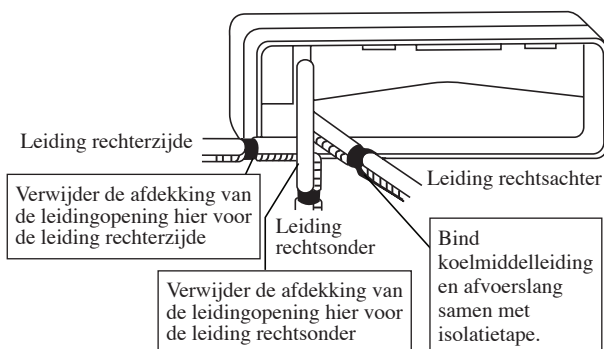
Het luchtrooster dat zich binnen in de behuizing bevindt. Verwijder de behuizing en sluit de slang aan op het luchtrooster wanneer u de lucht laat ontsnappen.

! LET OP

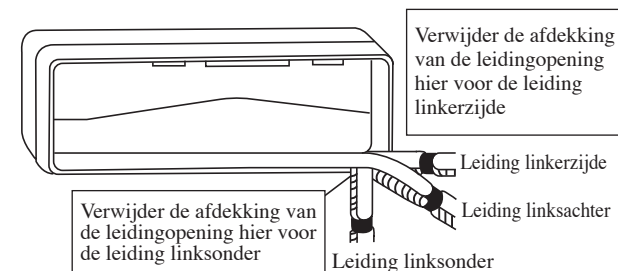
Let erop dat er wanneer de lucht ontsnapt, geen waterdruppeltjes in de regelkast terechtkomen.

De waterleidingen kunnen op een aantal manieren naar de unit worden geleid (links of rechts vanaf de achterzijde van de unit), u kunt daartoe gaten maken in de behuizing van de unit (zie afbeelding). Buig de leidingen voorzichtig naar de vereiste positie zodat ze uitkomen bij de gaten. Houd voor zijkant en onderzijde de onderzijde van de leidingen vast en plaats deze dan in de vereiste richting (zie afbeelding). De condensafvoerslang kan met tape aan de leidingen worden bevestigd.

Leiding rechterzijde, rechtsachter of rechtsonder



Leiding linkerzijde, linksachter of linksonder

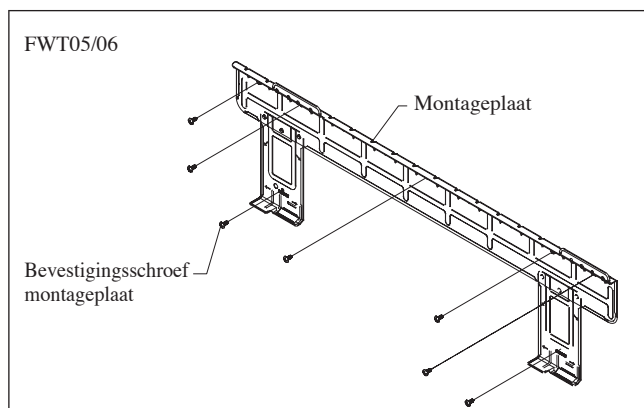
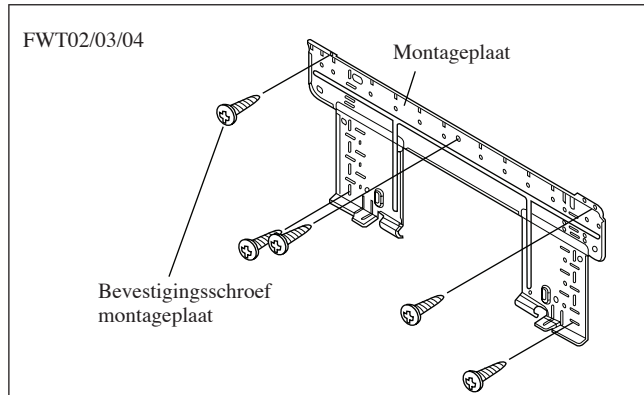


Installatieplaat monteren

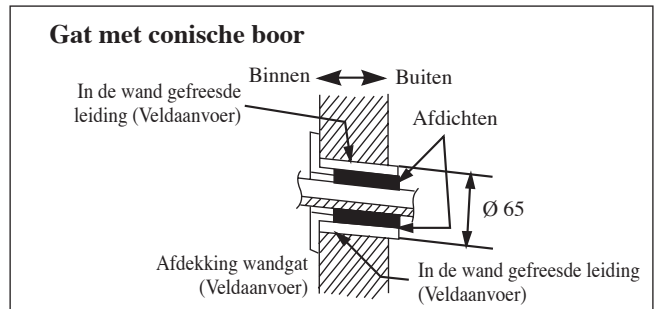
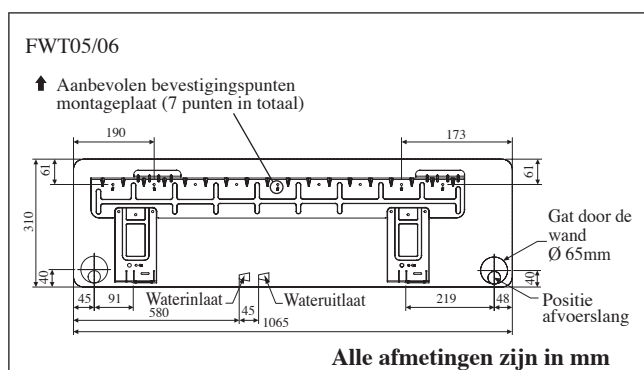
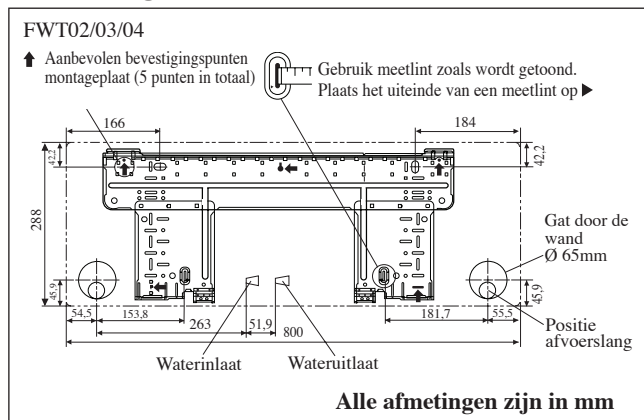
Controleer dat de wand sterk genoeg is om het gewicht van de unit te dragen. Anders moet de wand worden verstevigd met platen, balken en pilaren.

Monteer de unit horizontaal met behulp van de waterpas en bevestig met 5 geschikte schroeven voor FWT02/03/04 en 7 geschikte schroeven voor FWT05/06.

Als de achterste leiding uitsteekt, boor dan een gat van 65 mm in diameter met een conische boor, wat lager op de buitenwand (zie afbeelding)



Aanbevolen bevestigingspunten van de montageplaat en afmetingen



Monteer de Unit op de Installatieplaat

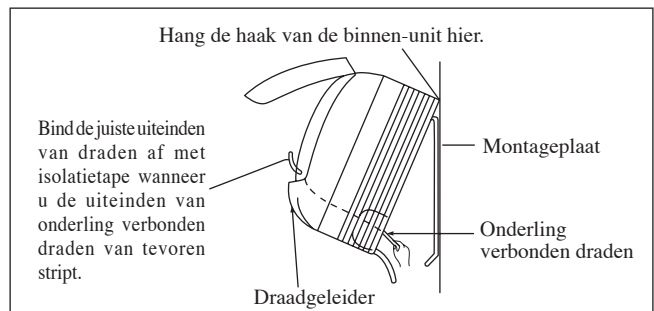
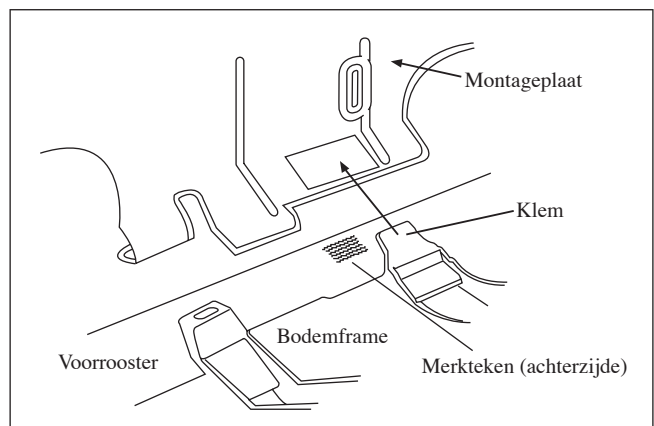
Haak de binnen-unit vast aan het bovenste deel van de installatieplaat (Bevestig de twee haken aan bovenzijde achter van de binnenunit aan de bovenste rand van de installatieplaat). Controleer dat de haken goed vastzitten op de installatieplaat door naar links en rechts te duwen.

Zo bevestigd u de binnen-unit

Haak de klauwen van het bodemframe aan de montageplaat.

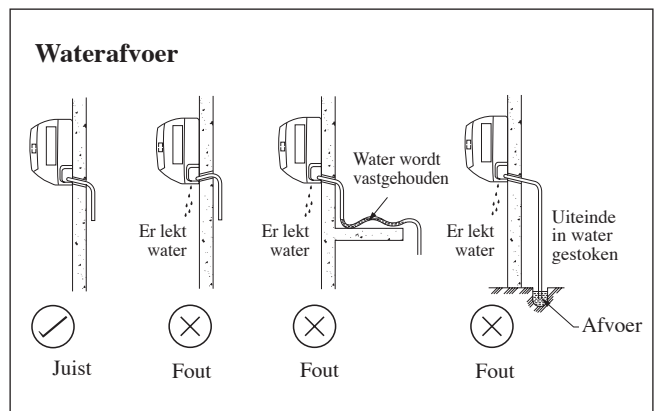
Zo verwijdert u de binnen-unit

Duw het gemarkeerde gebied (aan het lagere deel van het voorrooster) omhoog zodat de klauwen loskomen.



Leidingen voor waterafvoer

Voor een goede afvoer moet de afvoerleiding binnen naar beneden aflopen. Vermijd situaties waarin waarschijnlijk water zal lekken.



Aansluiting van waterleidingen

De binnen-unit is voorzien van een inlaat- en uitlaataansluiting voor water, die voorzien is van schroefdraad. Er is aan de kop van de wateruitlaat een luchtrooster voor het laten ontsnappen van lucht.

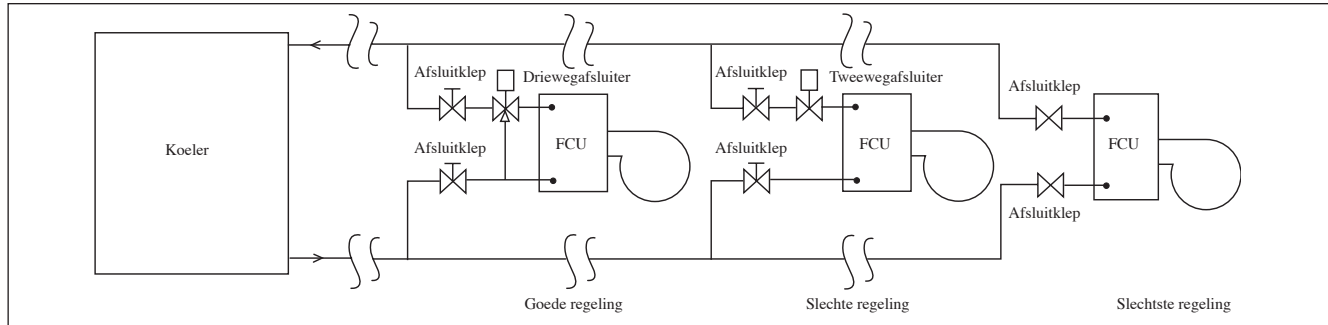
Er is een 3-wegafsluiter nodig voor het afsluiten of omleiden van gekoeld water.

Stalen buis, polyethen buis, PVC-buis en koperen buis worden geadviseerd voor de installatie ter plaatse.

Alle typen leidingen en aansluitingen moeten met polyurethaan (type ARMAFLEX of gelijkwaardig) worden geïsoleerd zodat condensatie wordt vermeden.

Gebruik geen vervuilde of beschadigde leidingen en fittingen voor de installatie.

Sommigen hoofdfittingcomponenten zijn in het systeem nodig om de capaciteit te verhogen en servicewerkzaamheden te vergemakkelijken, dit zijn bijvoorbeeld een afsluitklep, een balanceerklep, 2-weg- en 3-wegafsluiter, zeef, enz.



AANSLUITING ELEKTRISCHE BEDRADING

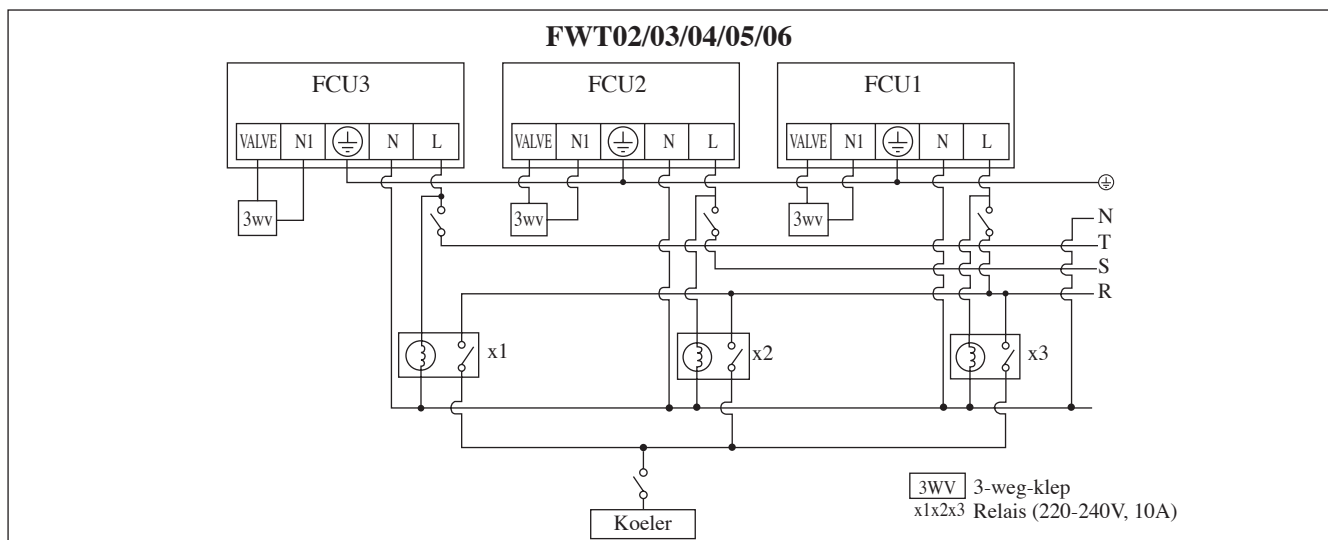
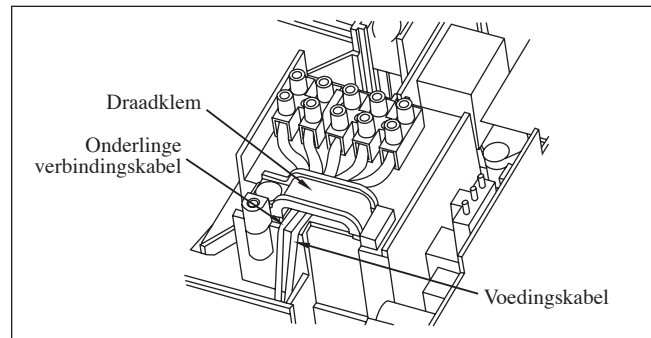
BELANGRIJ : * Deze waarden zijn alleen ter informatie, ze moeten gecontroleerd worden en geselecteerd om te voldoen aan de plaatselijke en/of nationale codes en regels. Het hangt ook af van het soort installatie en de grootte van de geleiders.

** Het juiste voltage-bereik dient gecontroleerd te worden ten opzichte van het gegevenslabel op de eenheid.

De verbinding van alle polen in het stopcontact moet verbroken zijn met een contactscheiding van op zijn minst 3mm.

Model		FWT02/03/04/05/06
Voltage-Bereik**		220V – 240V/1Ph/50Hz + ⊕
Afmeting voedingskabel* Aantal geleiders	mm²	1,5 3
Aanbevolen zekering voor tijdsvertraging	A	2

- Alle draden moet stevig worden aangesloten.
- De bedrading mag nergens de waterleidingen of welke bewegende delen van de ventilatormotor dan ook raken.
- De aansluitdraden naar de binnen-unit moeten op de draadklemmen worden geklemd zoals in de afbeelding wordt getoond.
- De draad voor de stroomvoorziening moet gelijk zijn aan H07RN-F, het minimumvereiste en moet worden gebruikt in een beschermende buis.

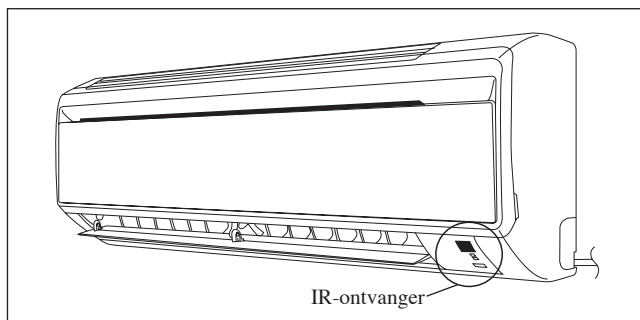


INDICATIELAMPJES

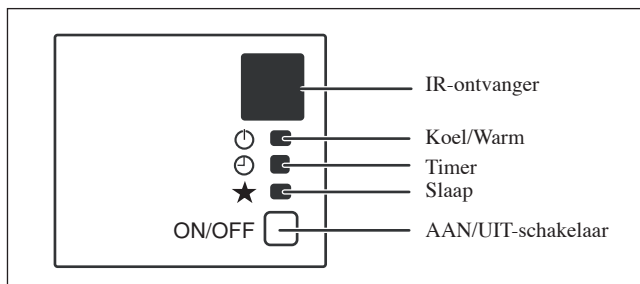
IR-signaalontvanger

Wanneer een infrarood signaal door de afstandsbediening is uitgestuurd, zal de signaalontvanger op de binnen-unit reageren als hieronder wordt getoond, ter bevestiging van de transmissie van het signaal.

AAN naar UIT	1 Lang piepsignaal
UIT naar AAN Afpompen/Koelkracht aan	2 korte piepsignaal
Anders	1 korte piepsignaal



LED-indicatielampjes voor Koel-/Warmtepomp-unit









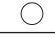

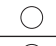
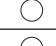











Koelunit/Warmtepompunit

De tabel toont de LED-indicatielampjes voor de airconditioner-unit bij normale werking en onder storingscondities.

De LED-indicatielampjes bevinden zich aan de rechteronderzijde van de airconditioner-unit.

LED-indicatielampjes: Normale werking en Storingscondities voor Koel-/Warmtepomp-unit

	 KOEL/WARM (GROEN/ROOD)		Normale Werking/Storingsaanduiding	Handeling	Foutcode
	 Groen		Stand Koelen	-	-
	 Rood		Stand Verwarmen	-	-
			Timer aan	-	-
			Slaapstand aan	-	-
			Stand Ventilator aan	-	-
			Stand Drogen aan	-	-
	 1 keer		Kamer luchtsensorcontact Los/Kortgesloten	Bel uw dealer	E1 knippert
	 2 keer		Binnen spoelsensor open/kortgesloten	Bel uw dealer	E2 knippert
		 3 keer	Leiding watertemperatuur matig	-	E4 knippert
		 1 keer	Leiding watertemperatuur slecht	-	E5 knippert
		 6 keer	Hardwarefout (kortsluiting pen aanraakschakelaar)	Bel uw dealer	E8 knippert
	 4 keer		Geen terugkoppeling van binn ventilator	Bel uw dealer	E9 knippert

 AAN

  AAN of UIT

 Knippert

BEDIENING AIRCONDITIONER-UNIT

Stand Drogen

- Wanneer de luchtvochtigheid hoog is, kan de unit werken in de stand Drogen. Druk op de knop <MODE> en kies <DRY>.
- Als de kamertemperatuur 2°C/3,6°F hoger is dan de ingestelde temperatuur, werkt de airconditioner in de stand Koelen tot minder dan 2°C/3,6°F verschil vergeleken bij de ingestelde temperatuur wordt bereikt en daarna wordt overgeschakeld naar de stand Drogen.
- Als de kamertemperatuur op minder dan 2°C/3,6°F verschil vergeleken met de ingestelde temperatuur ligt, werkt het toestel direct in de stand Drogen.
- De unit werkt bij LOW snelheid in de stand Drogen.

Stand Verwarmen (alleen voor warmtepomp-unit)

- Wanneer de unit op de instelling koude lucht staat, begint de binnenventilator alleen te werken wanneer de spoel de gewenste temperatuur bereikt.
- Voor de instelling stand Ventilator werkt de binnenventilator ononderbroken wanneer de unit eenmaal is ingeschakeld (ON).
- Wanneer de ingestelde temperatuur wordt bereikt, werkt de binnenventilator tot de spoel geen extra warmte meer kan leveren.

Luchtstroomregeling

- U kunt voor een effectievere luchtcirculatie met de hand het luchtuitstootrooster naar links of naar rechts verstellen.
- Tijdens werking in de stand Koelen en in de stand Drogen moet u de jaloezie van de luchtuitstoot niet te lang naar beneden richten. Als het toestel op deze manier blijft werken, kan condens ontstaan op de jaloezie en dan kunnen er druppels afvallen.

Ventilatorsnelheid en Nominale Koelcapaciteit

- De nominale koelcapaciteit wordt geleverd bij de ventilatorsnelheid HIGH.
- De koelcapaciteit is lager wanneer de unit op de ventilatorsnelheid MEDIUM en LOW werkt.

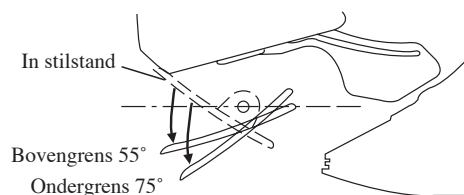
Opmerkingen over flappen en hoeken van de Jaloeziën

- Wanneer de "toets SWING" wordt geselecteerd, is het bereik van het zwaaien van de flappen afhankelijk van de ingeschakelde stand. (Zie de afbeelding.)

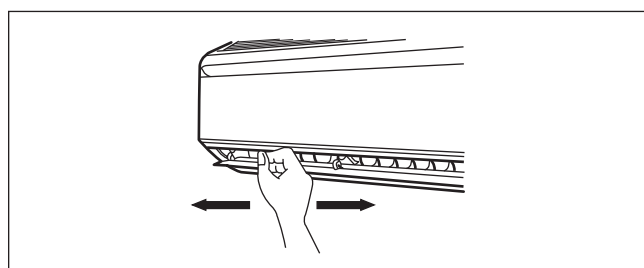
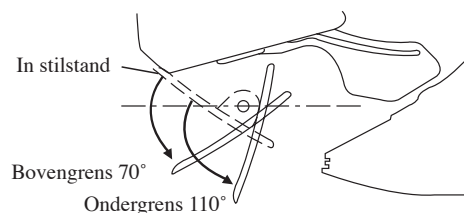
ATTENTIE

- Stel de hoek van de flappen altijd af met een afstandsbediening. Als u probeert de stand met de hand in een bepaalde stand te forceren, wanneer de flappen zwaaien, kan het mechanisme afbreken.
- Ga voorzichtig te werk bij het afstellen van de jaloeziën. Binnen de luchtuitlaat draait een ventilator op hoge snelheid.

In stand KOELEN, DROGEN en VENTILEREN



In stand VERWARMEN



WERKINGSBEREIK

Bedrijfsgrenswaarden:

Thermische drager: Water

Watertemperatuur: 4-10°C Koeling; 35-50°C Verwarming

Maximale waterdruk: 16 bar

Luchttemperatuur: (zoals hieronder)

Stand Koelen

Temperatuur	Ts °C/°F	Th °C/°F
Minimum-binnen-temperatuur	19,0 / 66,2	14,0 / 57,2
Maximum-binnen-temperatuur	32,0 / 89,6	23,0 / 73,4

Stand Verwarmen

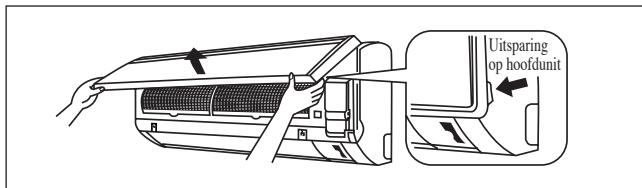
Temperatuur	Ts °C/°F	Th °C/°F
Minimum-binnen-temperatuur	15,0 / 59,0	-
Maximum-binnen-temperatuur	27,0 / 80,6	-

Ts: Droge luchttemperatuur. Th: Natte luchttemperatuur.

LUCHTFILTER

1. Open het voorpaneel.

- Houd het paneel bij de uitsparingen op de hoofdunit (2 uitsparingen aan de rechter en aan de linker zijde) en til het paneel op tot het stopt.



2. Trek de luchtfilters naar buiten.

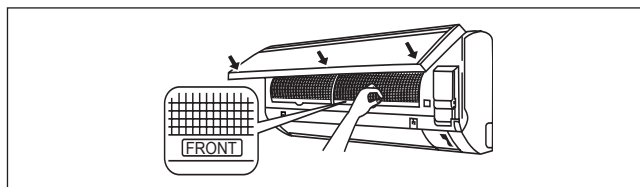
- Duw de tab in het midden van elk luchtfilter wat omhoog en trek het vervolgens omlaag.

3. Reinig het filter of vervang het.

- Verbuig het filter niet wanneer u het overblijvende water afschudt.

4. Plaats het luchtfilter terug en sluit het voorpaneel.

- Steek klauwen van de filters in de sleuven op het voorpaneel. Sluit het voorpaneel langzaam en duw het paneel op 3 punten aan. (1 aan iedere zijde en 1 in het midden.)
- Het luchtfilter heeft een symmetrische vorm in horizontale richting.



SERVICE EN ONDERHOUD

Serviceonderdelen	Onderhoudsprocedures
Binnen-luchtfilter	<ol style="list-style-type: none"> Verwijder stof dat eventueel op het filter zit met een stofzuiger of was het filter in lauwwarm water (minder dan 40°C/104°F) met een neutraal schoonmaakmiddel. Spoel het filter goed uit en droog het voordat u het weer in de unit zet. Reinig het filter niet met benzine, vluchtige stoffen of chemicaliën.
Binnenunit	<ol style="list-style-type: none"> Verwijder alle vuil en stof van het rooster of het paneel met een zachte doek natgemaakt met lauwwarm water (onder de 40°C/104°F) en een oplossing van een neutraal schoonmaakmiddel. Gebruik geen benzine, vluchtige stoffen of chemicaliën voor het schoonmaken van de binnen-unit.

1. Open het voorpaneel.

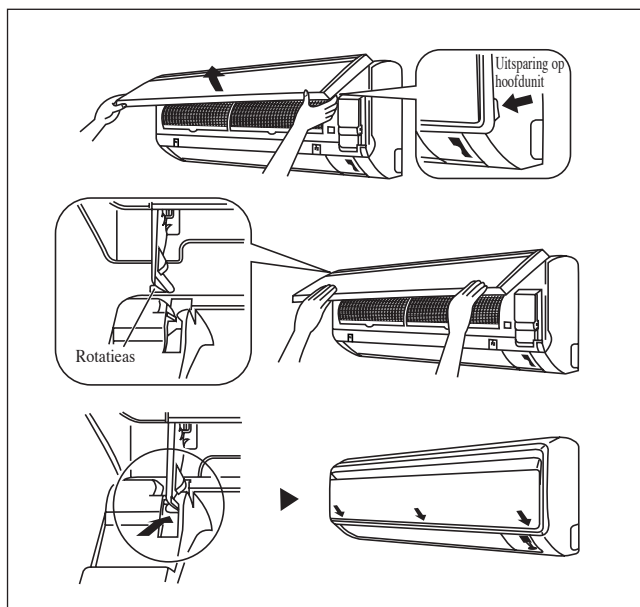
- Houd het paneel bij de uitsparingen op de hoofdunit (2 uitsparingen aan de rechter en aan de linker zijde) en til het paneel op tot het stopt.

2. Verwijder het voorpaneel.

- Licht het voorpaneel verder op, schuif het naar rechts en trek het naar voren. De linker rotatieas is los. Schuif de rechter rotatieas naar links en verwijder de as door deze naar voren te trekken.

3. Bevestig het voorpaneel.

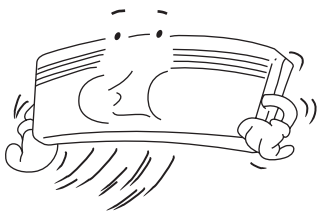
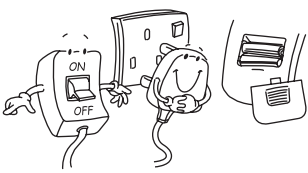
- Houd de rechter en linker rotatieassen van het voorpaneel tegenover de groeven en duw ze helemaal naar binnen.
- Sluit het voorpaneel voorzichtig. (Duw op beide uiteinden en in het midden van het voorpaneel.)



⚠ LET OP

- Raak de metalen delen van de binnenunit niet aan. U kunt zich dan bezeren.
- Wanneer u het voorpaneel verwijdert of bevestigt, ondersteun het dan goed met de hand zodat het niet kan vallen.
- Gebruik voor het reinigen niet water warmer dan 40 °C, wasbenzine, benzine, verfverdunder of vluchtige olie, schuurmiddel, borstel en ook niet andere hulpmiddelen.
- Controleer dat na het schoonmaken het voorpaneel weer stevig is vastgezet.

Wanneer de unit lange tijd niet gebruikt gaat worden

<p>Laat de unit 2 uur werken in de volgende instelling.</p> <p>Bedrijfsstand: koel Temperatuur: 30°C/86°F</p>		<p>Trek de stekker uit het stopcontact. Gebruikt u een aparte groep van de stroomvoorziening voor uw unit, schakel de groep dan uit. Haal de batterijen uit de afstandsbediening.</p>	
---	---	---	---

HET OPLOSSEN VAN PROBLEMEN

Neem voor inlichtingen over reserveonderdelen contact op met uw geautoriseerde leverancier. Wanneer u merkt dat de airconditioner niet goed werkt, schakel dan onmiddellijk de stroomvoorziening van de unit uit. Controleer de volgende omstandigheden en oorzaken voor een paar eenvoudige oplossingstips.

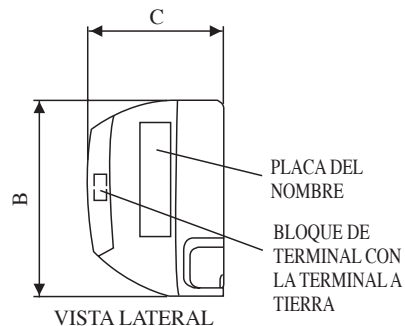
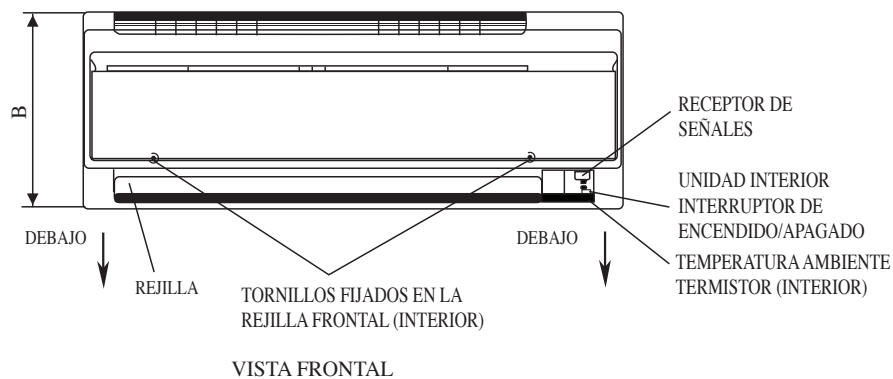
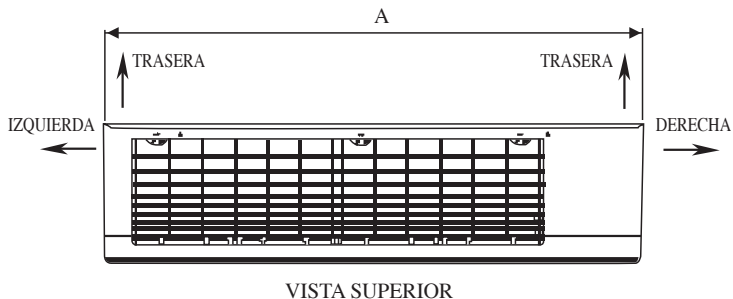
Fout	Oorzaken/Handeling
1. De airconditioner werkt niet.	<ul style="list-style-type: none"> - Stroomstoring of de zekering moet worden vervangen. - De stekker zit niet in het stopcontact - Mogelijk is uw vertragingstimer niet goed ingesteld. - Als de fout aanhoudt nadat u dit allemaal hebt gecontroleerd, neem dan contact op met de installateur van de airconditioner.
2. De luchtstroom is te gering.	<ul style="list-style-type: none"> - Het luchtfilter is vuil. - De deuren of ramen staan open. - De aanzuig- en uitstroomopeningen zijn verstopt. - De geregelde temperatuur is niet hoog genoeg.
3. De uitstromende lucht ruikt onprettig.	<ul style="list-style-type: none"> - Geuren kunnen worden veroorzaakt door sigaretten, rookdeeltjes, parfums, enz. die zich misschien aan de spoel hebben gehecht.
4. Condensatie op het voorste lichtrooster van de binnen-unit.	<ul style="list-style-type: none"> - Dit wordt veroorzaakt door luchtvochtigheid die ontstaat na langdurige periode van werking. - De ingestelde temperatuur is te laag, verhoog de temperatuurinstelling en laat de unit bij een hogere ventilatorsnelheid werken.
5. Water stromend uit de airconditioner-eenheid.	<ul style="list-style-type: none"> - Schakel de unit uit en neemt contact op met de dealer.

Als de storing niet kan worden verholpen, bel dan uw leverancier/servicemonteur ter plaatse.

ESQUEMA Y DIMENSIONES

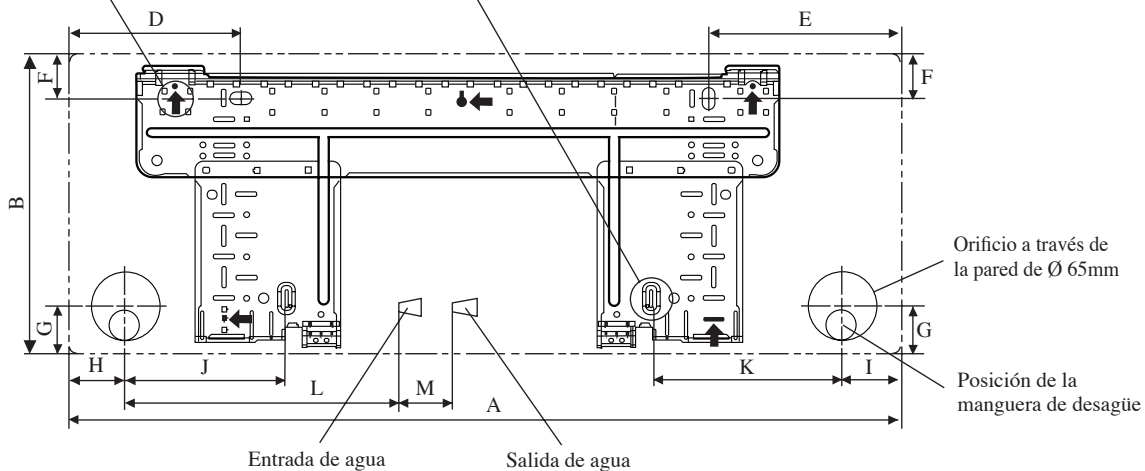
Unidad Interior

LA MARCA (→) MUESTRA LA DIRECCIÓN DE LA TUBERÍA

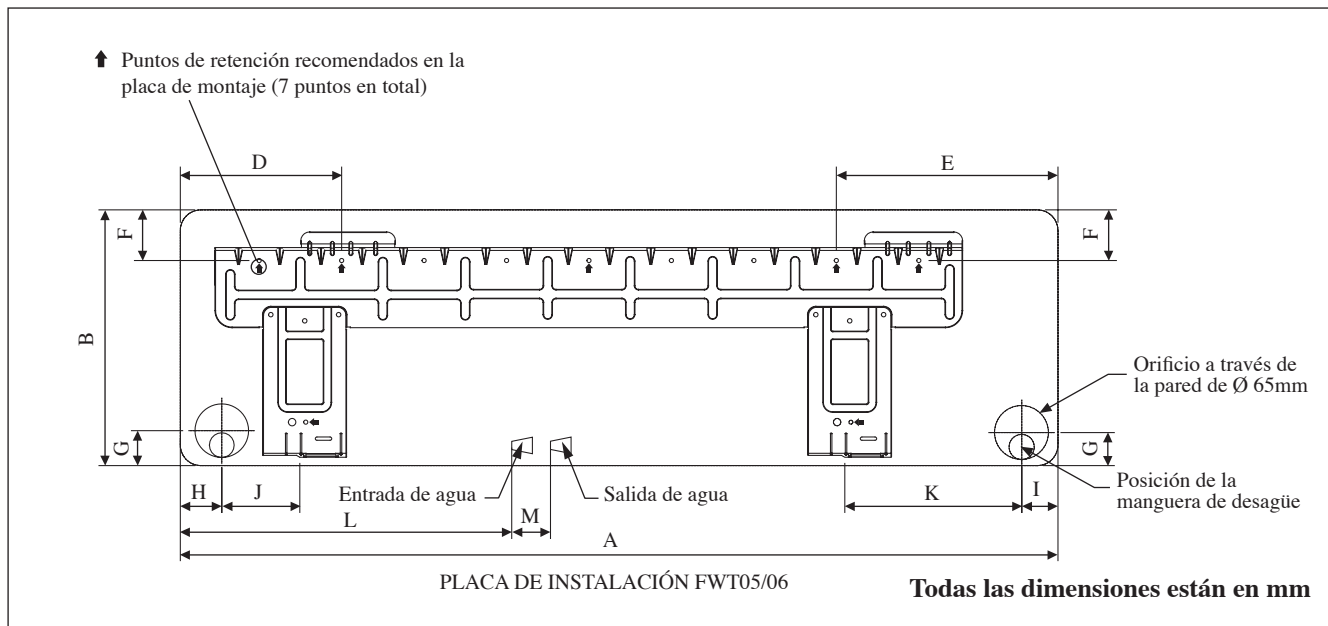


↑ Puntos de retención recomendados en la placa de montaje (5 puntos en total)

Utilice una cinta métrica según se muestra. Coloque el extremo de la cinta métrica en ▶



Todas las dimensiones están en mm



Modelo \ Dimensión	A	B	C	D	E	F	G	H	I	J	K	L	M
FWT02/03/04	800	288	206	166	184	42	46	55	56	154	182	267	55
FWT05/06	1065	310	224	190	173	61	40	45	48	91	219	593	60

MANUAL DE INSTALACIÓN

Este manual facilita instrucciones de instalación que garantizan un seguro y buen funcionamiento de la unidad de aire acondicionado. Es posible que sea necesario realizar un ajuste especial para adecuarse a los requisitos locales.

Por favor, antes de usar su equipo de aire acondicionado, lea cuidadosamente este manual de instrucciones, y consérvelo para futuras consultas. Este aparato está diseñado para ser utilizado por especialistas o usuarios formados, en tiendas, industria ligera y en granjas, o para uso comercial por personas no expertas.

Este equipo no está previsto para ser utilizado por personas con discapacidades físicas, sensoriales o psicológicas, incluyendo a los niños, al igual que personas sin experiencia o conocimientos necesarios para ello, a menos que dispongan de una supervisión o instrucciones sobre el uso del equipo proporcionadas por una persona responsable de su seguridad.

Deberá vigilarse a los niños para evitar que jueguen con el aparato.

PRECAUCIONES DE SEGURIDAD

⚠️ ADVERTENCIA

- La instalación y el mantenimiento deben ser realizados por personas calificadas que estén familiarizadas con el código y los reglamentos locales y que tengan experiencia en este tipo de equipo.
- Todo el cableado de campo debe instalarse de acuerdo al reglamento de cableado nacional.
- Antes de comenzar la instalación eléctrica de acuerdo con el diagrama de cableado, asegúrese de que el voltaje nominal de la unidad se corresponde con el de la placa de identificación.
- La unidad debe estar PUESTA A TIERRA para evitar posibles peligros debidos a fallas del aislamiento.
- Ningún cable eléctrico debe tocar el conducto de refrigeración ni ninguna parte móvil de los motores de ventilación.
- Antes de iniciar la instalación o reparación de la unidad, asegúrese de que ha sido apagada (OFF).
- Desconéctela de la fuente de energía principal antes de una revisión de la unidad de acondicionador de aire.
- NO tire del cable de energía cuando esté en funcionamiento. Esto puede causar serias descargas eléctricas que pueden resultar en riesgo de incendio.
- Mantenga las unidades interiores y exteriores, el cable de corriente y el cableado de transmisión, como mínimo a 1m de las TVs y radios, para evitar imágenes distorsionadas y estáticas. {Según el tipo y fuente de las ondas eléctricas, puede que oiga ruidos incluso a más de 1m}.

⚠️ PRECAUCIÓN

Asegúrese de seguir durante la instalación los siguientes puntos importantes.

- **Asegúrese de que la tubería de desagüe está conectada correctamente.**
 - ⚠️ Si la tubería de desagüe no está conectada correctamente se puede producir una fuga de agua que mojaría los muebles.
- **Asegúrese de que el panel de la unidad vuelve a cubrirla bien colocado o de cualquier reparación.**
 - ⚠️ Un panel mal sujetado hará que la unidad haga ruido al funcionar.
- **Los extremos afilados y superficies de la bobina son lugares potenciales que podrían provocar peligro de lesiones. Evite todo contacto con estas partes.**
- **Antes de desenchufar la fuente de energía, coloque el interruptor de control remoto ON/OFF en posición "OFF" para impedir la molesta activación de la unidad.** Si no es así, los ventiladores de la unidad empezarán a girar automáticamente cuando se restablezca la corriente, significando un peligro para el personal técnico o para el usuario.
- **No instale las unidades en o cerca de la puerta.**
- **No opere aparatos de calor cerca de la unidad de aire acondicionado ni los utilice en una habitación donde haya aceite mineral, vapor de aceite ya que eso puede provocar que una pieza de plástico se derrita o deforme como resultado del calor excesivo o de una reacción química.**
- **Cuando la unidad se utilice en la cocina, evite que entre harina en la zona de aspiración de la unidad.**
- **Esta unidad no es adecuada para su uso en fábricas donde haya niebla de aceite cortante o haya polvo de acero o en zonas donde el voltaje fluctúe mucho.**
- **No instale las unidades en un lugar como un muelle caliente o una planta refinadora de petróleo donde haya gases sulfúricos.**
- **Asegúrese de que el color de los cables de la unidad exterior y de las marcas de la terminal son iguales a los de la unidad interior respectivamente.**
- **¡IMPORTANTE: NO INSTALE O UTILICE LA UNIDAD DE AIRE ACONDICIONADO EN UNA HABITACIÓN DE LAVANDERÍA.**
- **No utilice cables con lós o juntas para la alimentación entrante.**
- **El equipamiento no es aplicable para un ambiente potencialmente explosivo.**

AVISO

Requisitos para la eliminación

Su acondicionador de aire está marcado con este símbolo. Esto significa que los productos eléctricos y electrónicos no deben mezclarse con el resto de residuos domésticos no clasificados.

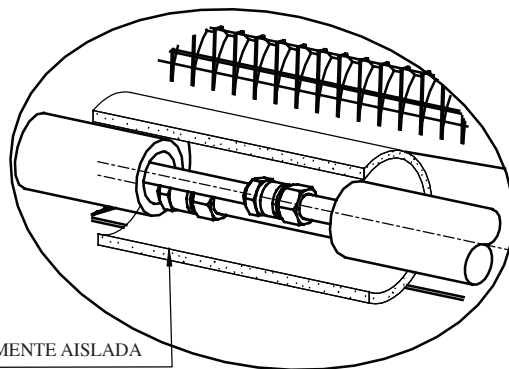
No intente desmontar el sistema usted mismo: El desmantelamiento del acondicionador de aire, así como el tratamiento del refrigerante, aceite y otros componentes, debe ser efectuado por un instalador competente de acuerdo con las normas locales y nacionales aplicables.

Los acondicionadores de aire deben ser tratados en instalaciones especializadas para su reutilización, reciclaje y recuperación. Al asegurarse de desechar este producto de la forma correcta, está contribuyendo a evitar posibles consecuencias negativas para el entorno y para la salud de las personas. Contacte, por favor, con el instalador o con las autoridades locales para obtener más información.

Las pilas del control remoto deben extraerse y eliminarse por separado y de acuerdo con la normativa local y nacional aplicable.



DIAGRAMMA DE LA INSTALACIÓN



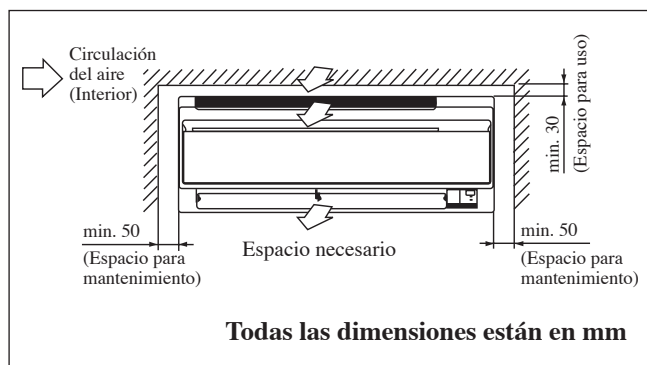
CINTA DE CORCHO TOTALMENTE AISLADA

AISLAMIENTO A TRAVÉS DE TUBERÍAS DE AGUA ENFRIADA

INSTALACIÓN DE LA UNIDAD INTERIOR

La unidad de interior debe estar instalada de modo que el aire de descarga frío no entre en contacto con el aire de retorno caliente. Por favor, siga el espacio proporcionado para la instalación tal y como se indica en el gráfico. No colocar la unidad de interior donde le caiga la luz del sol directamente. El emplazamiento debe ser adecuado para las tuberías y la evacuación y debe estar lejos de la puerta o ventana.

La tubería de agua se puede dirigir a la unidad de varias formas (izquierda o derecha detrás de la unidad), usando los agujeros recortados en la caja de la unidad (véase la figura). Doblar cuidadosamente las tuberías hasta la posición requerida para alinearlas con el agujero. Para la extracción inferior y lateral, sujetar la parte inferior de la tubería y fijar la dirección (véase la figura). La manguera de desagüe de condensación debe ser fijada con cinta a las tuberías.

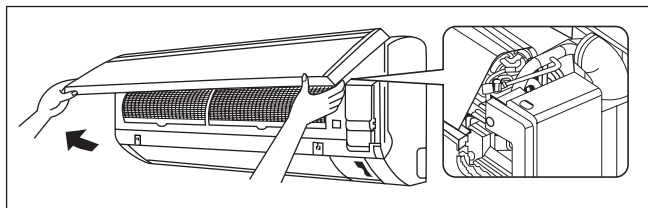


⚠ CUIDADO

No instale la unidad a una altitud superior a 2000m.

Limpeza del aire

Para evitar daños a la bomba, la unidad de bobina de ventilador no debería ser una unidad energizada, la bobina y todas las líneas de agua han sido purgadas de aire.

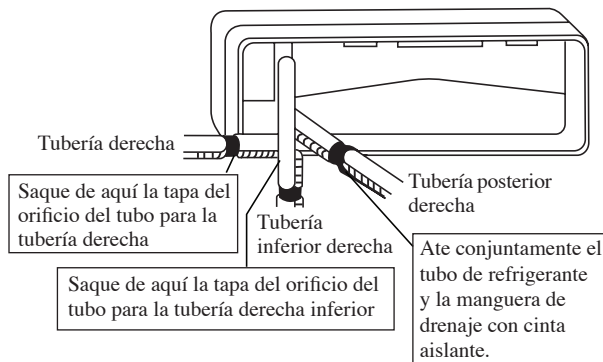


El purgador de aire ubicado dentro de la cubierta. Extraída la cubierta y conectada la manguera al purgador de aire mientras se realice la purificación del aire.

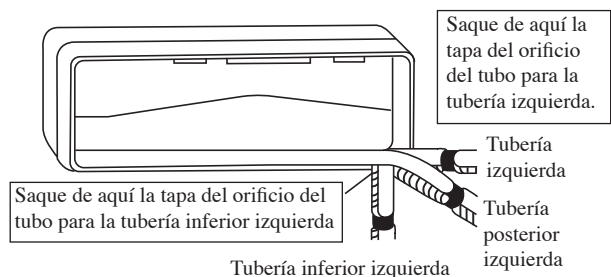
⚠ CUIDADO

Asegúrese de que no hay gotas de agua dentro de la caja de control durante el proceso de limpieza.

Tubería lateral derecha, trasera derecha o inferior derecha



Tubería lateral izquierda, trasera izquierda o inferior izquierda

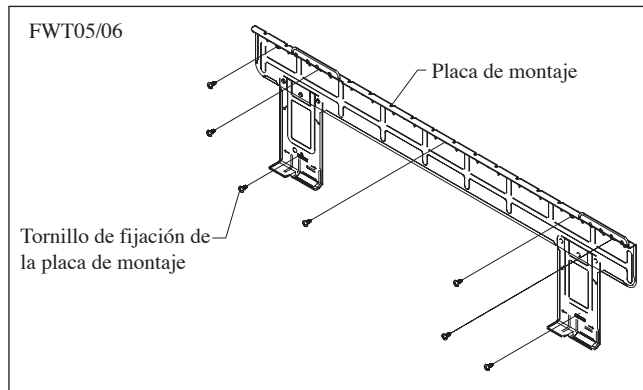
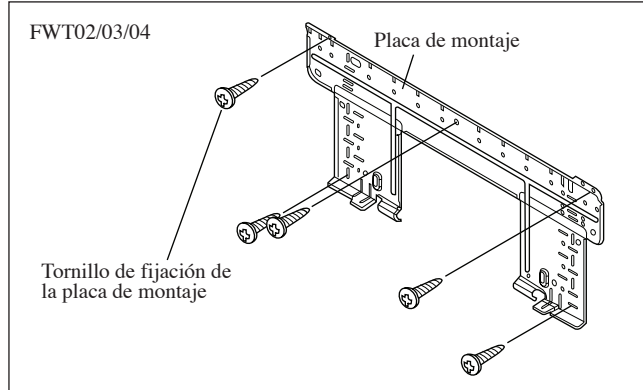


Montaje De La Placa De Instalación

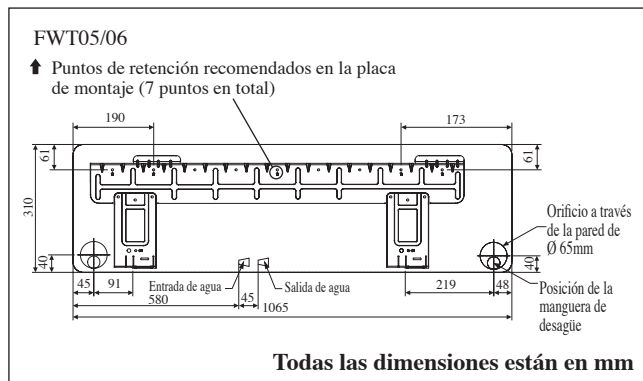
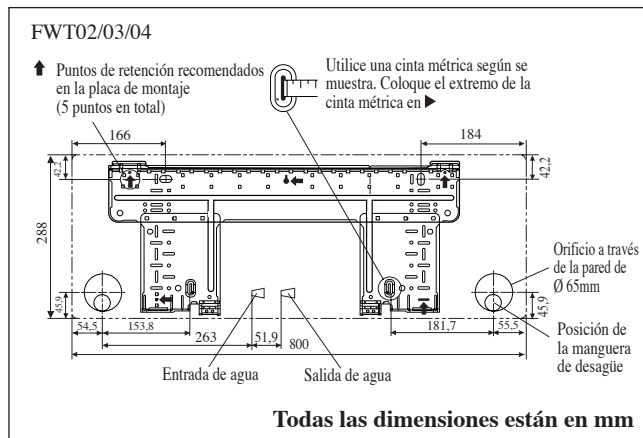
Verificar que la pared es lo suficientemente sólida como para soportar el peso de la unidad. Si no es así, se debe reforzar la pared con placas, vigas o pilares.

Utilice el calibrador de nivel para el montaje horizontal y fije con 5 tornillos adecuados para FWT02/03/04 y 7 tornillos adecuados para FWT05/06.

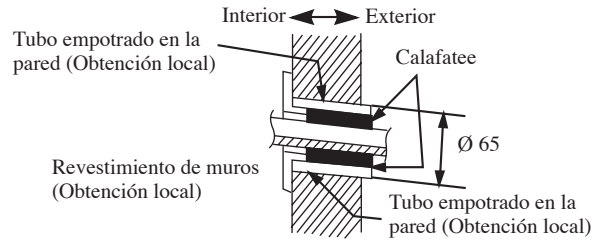
En caso de retracción de la tubería trasera, perforar un agujero de 65mm de diámetro con una broca cónica, ligeramente más bajo en la pared externa (véase la figura).



Medidas Y Espacios De Retención De Placa De Montaje Recomendados



Agujero Con Broca De Cono



Montar La Unidad En La Placa De Instalación

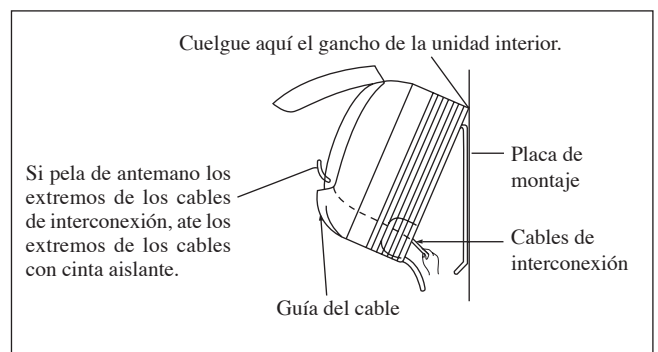
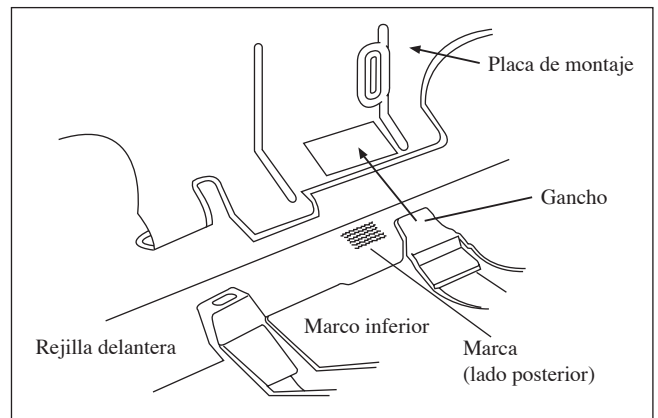
Enganchar la unidad de interior en la porción superior de la placa de instalación (Enganchar los 2 ganchos de la parte trasera superior en el borde superior de la placa de instalación). Para asegurar que los ganchos se encuentren adecuadamente instalados en la bandeja de instalación, intente moverlos ligeramente hacia la izquierda o la derecha.

Cómo Colocar La Unidad Interior

Enganche las abrazaderas del cuadro inferior en la placa de instalación.

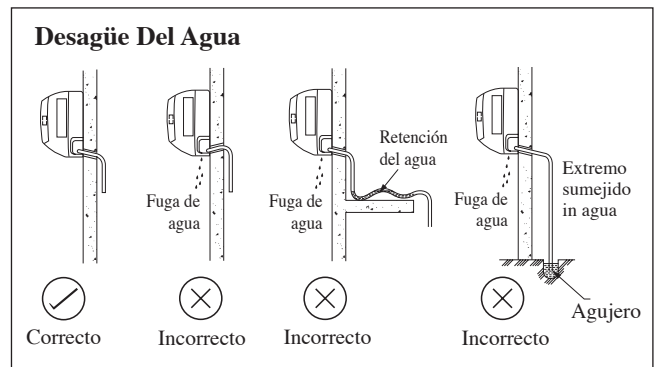
Cómo Retirar La Unidad Interior

Empuje la zona marcada (en la parte inferior de la rejilla frontal) para soltar los ganchos.



Tubería De Desagüe De Agua

La tubería de desagüe de interior debe tener una pendiente descendente para lograr un vaciado uniforme. Evite situaciones que puedan causar escapes de agua.



Español

Conexión de tubería de agua

La unidad de interior está equipada con conexión en rosca para salida y entrada de agua. Hay una rejilla de ventilación para el purgador de aire que se encuentra en la salida de agua principal.

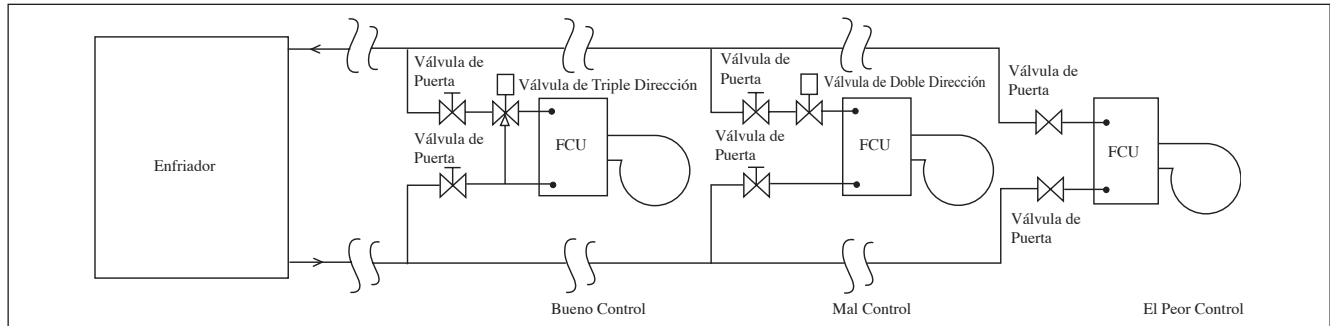
Se necesita una válvula de tres vías para el corte del ciclo o el acople del agua fría.

Se recomiendan tuberías de acero negro, de polietileno y PVC, y tubos de cobre en la instalación.

Todos los tipos de tubería y conexiones deben ser aislados con poliuretano (del tipo ARMAFLEX o similar) para evitar la condensación.

No use tubos contaminados o dañados y para la instalación.

Algunos componentes de prueba principales son necesarios en el sistema para realizar la capacidad y la facilidad del servicio, como la válvula de puerta, la válvula de balanceo, las de doble y triple dirección, el filtro, el tamiz etc.

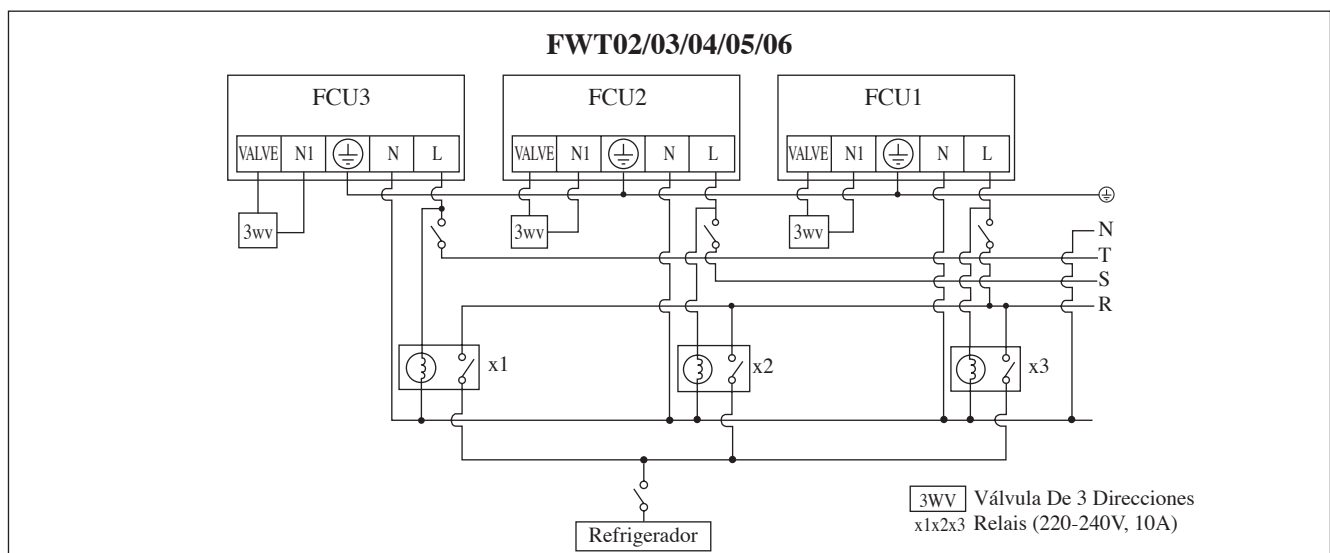
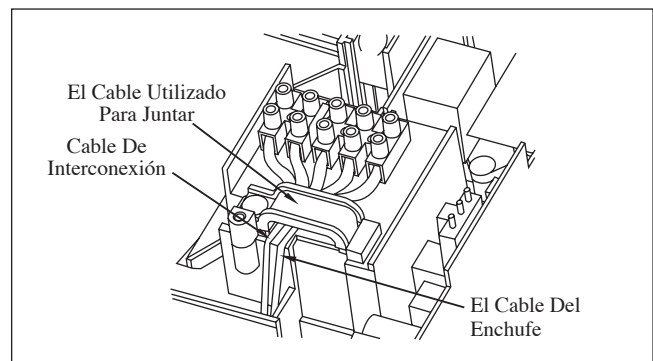


CONEXIÓN DEL CABLEADO ELÉCTRICO

IMPORTANTE: * Los valores mostrados arriba se dan a título informativo únicamente. Estos deben ser verificados y seleccionados a fin de que cumplan con los códigos y reglamentos locales y/o nacionales. También están sujetos al tipo de instalación y al tamaño de los conductores.
 ** Compruebe el voltaje adecuado en la etiqueta de características del aparato.
 Tiene que haber una desconexión en todos los polos en el suministro de corriente con una separación de contacto de al menos 3 mm.

Modelo	FWT02/03/04/05/06
Margen de la tensión**	220V – 240V/1Ph/50Hz + ⊕
Tamaño del cable de alimentación*	1,5
Número de conductores	3
Fusible de retardo recomendado	2

- Todos los alambres deben estar conectados firmemente.
- Ningún alambre debe tocar ninguna de las tuberías de refrigerante, el compresor ni las piezas móviles del motor del ventilador.
- Los alambres que conectan a la unidad de interior se deben afianzar con abrazadera en las abrazaderas de alambre según lo demostrado en la figura.
- El cable proveedor de energía deberá ser equivalente a H07RN-F siendo el requisito mínimo, para ser utilizado en el tubo protector.

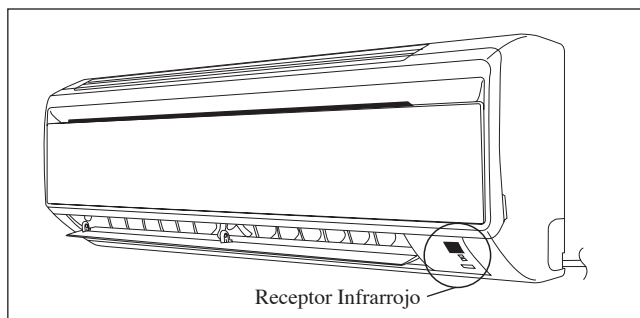


LUZ INDICADORA

Receptor De Señal IR (infrarroja)

Cuando se transmite una señal de uso a través del control remoto por infrarrojos, el receptor de señales de la unidad interior responderá como abajo para confirmar la aceptación de la transmisión de la señal.

ACTIVADO o DESACTIVADO	1 pitido largo
DESACTIVADO O ACTIVADO Vaciado por bombeo/ Fuerza de refrigeración activada	2 pitido corto
Otros	1 pitido corto

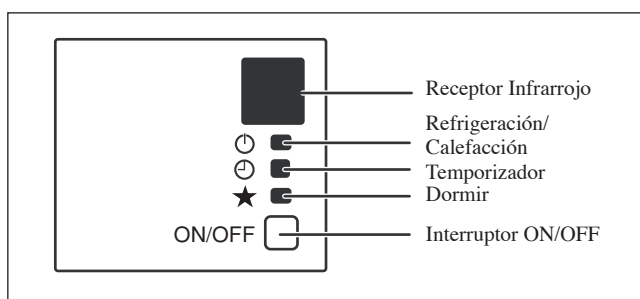


Luces Indicadoras LED De funcionamiento Para La Unidad De Enfriamiento/Unidad De Calentamiento

Unidad De Enfriamiento/Unidad De Calentamiento

La tabla que se muestra a continuación contiene las luces indicadoras LED para el funcionamiento normal y la condición de falla de la unidad de aire acondicionado.

Las luces de indicador del LED están situadas en la parte inferior derecha de la unidad del acondicionador de aire.



Luces Indicadoras LED: Condiciones De Operación Normales Y Condiciones De Operación Defectuosas De La Unidad De Enfriamiento/Unidad De Calentamiento

	 REFRESQUESE/ CALOR (VERDE/ROJO)		Operación/Indicador de Falla	Acción	Código de Error
			Modo de enfriamiento	-	-
			Modo de calentamiento	-	-
			Programador de tiempo prendido on	-	-
			El modo programador para dormir prendido on	-	-
			Modo ventilador on	-	-
			Modo deshumidificador on	-	-
			Contacto del sensor de aire ambiente suelto/corto	Llamar a su representante	Titila E1
			Sensor de bobina de interior abierto/corto	Llamar a su representante	Titila E2
			Temperatura de agua del tubo pobre	-	Titila E4
			Temperatura de agua del tubo pobre	-	Titila E5
			Error de hardware (interruptor de clavija de tacto corto)	Llamar a su representante	Titila E8
			Sin respuesta del ventilador interior	Llamar a su representante	Titila E9

ON

ON (ENCENDIDO) o OFF (APAGADO)

Parpadeante

OPERACIÓN DE LA UNIDAD DE AIRE ACONDICIONADO

Modo Seco

- Cuando la humedad del aire es alta, la unidad puede operar en modo seco. Pulse el botón de modo de funcionamiento < MODE > y elija el seco < DRY >.
- Si la temperatura de la habitación está $2^{\circ}\text{C}/3,6^{\circ}\text{F}$ por encima de la temperatura elegida en el ajuste, entonces la unidad de aire acondicionado funcionará en modo de enfriamiento hasta que se quede a $2^{\circ}\text{C}/3,6^{\circ}\text{F}$ de diferencia, comparada con la temperatura elegida antes de pasar a modo seco.
- Si la temperatura de la habitación está dentro de un margen de $2^{\circ}\text{C}/3,6^{\circ}\text{F}$ de diferencia, comparada con la temperatura elegida en el ajuste, funcionará directamente en modo seco.
- En el modo de funcionamiento seco, la unidad funcionará a BAJA velocidad.

Modo De Calefacción (únicamente para unidad de calentamiento)

- Cuando la unidad esté en ajuste de corriente fría, el ventilador de interior sólo empezará a funcionar después de que el serpentín alcance la temperatura deseada.
- Para el ajuste de modo de ventilador, el ventilador de interior estará en funcionamiento continuo una vez que la unidad esté en ON.
- Cuando se alcanza la temperatura elegida en el ajuste, el ventilador de adentro funcionará hasta que el serpentín no pueda proveer más calor adicional.

Control Del Flujo De Aire

- Para lograr una circulación de aire más eficaz, se puede ajustar la rejilla de descarga de aire hacia la izquierda o la derecha manualmente.
- Durante el funcionamiento en modo enfriamiento y seco, no dirigir la rejilla directriz de descarga de aire hacia abajo mucho tiempo. Si el funcionamiento continúa de esta manera, puede haber condensación en la rejilla directriz. Puede haber goteo como resultado de la condensación.

Velocidad Del Ventilador Y Capacidad De Enfriamiento Especificada

- La capacidad de enfriamiento especificada se provee con el ventilador a velocidad HIGH.
- La capacidad de enfriamiento es más baja cuando la unidad funciona con el ventilador a velocidades MEDIA y BAJA.

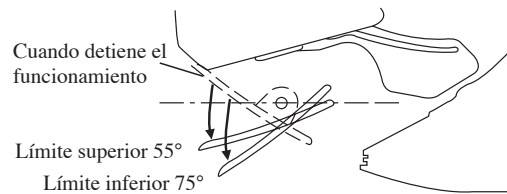
Notas Sobre Ángulos De Aletas Y Rejillas

- Al seleccionar le “botón GIRO” el rango de giro de las aletas depende del modo de funcionamiento. (Consulte la figura.)

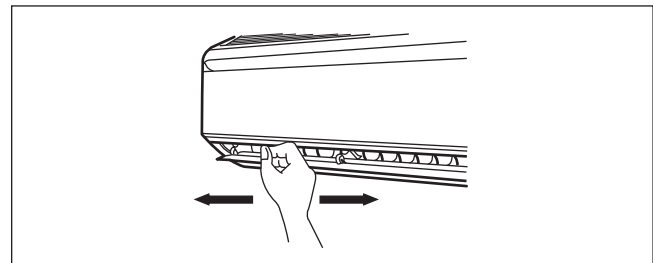
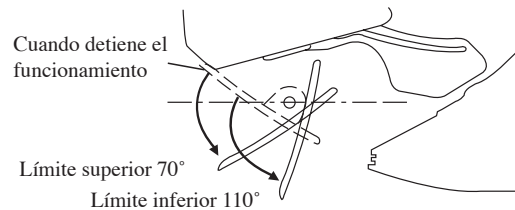
ATENCIÓN

- Utilice siempre un control remoto para regular el ángulo de la aleta. Si intenta moverlo forzándolo con la mano mientras oscila, puede romper el mecanismo.
- Tenga cuidado al regular las rejillas. Dentro de la salida de aire, gire un ventilador a alta velocidad.

En modo FRESCO, SECO y VENTILADOR



En modo de CALOR



CONDICIONES DE FUNCIONAMIENTO

Límites de Funcionamiento:

Transportador de agua: Agua

Temperatura del agua : $4\text{-}10^{\circ}\text{C}$ Enfriamiento, $35\text{-}50^{\circ}\text{C}$ Calefacción

Presión máxima del agua : 16 bar

Temperatura del aire: (como abajo)

De Enfriamiento Mode

Temperatura	Ts $^{\circ}\text{C}/^{\circ}\text{F}$	Th $^{\circ}\text{C}/^{\circ}\text{F}$
Temperatura interior mín.	19,0 / 66,2	14,0 / 57,2
Temperatura interior máx.	32,0 / 89,6	23,0 / 73,4

Modo de calefacción

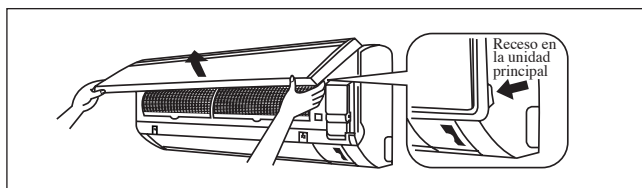
Temperatura	Ts $^{\circ}\text{C}/^{\circ}\text{F}$	Th $^{\circ}\text{C}/^{\circ}\text{F}$
Temperatura interior mín.	15,0 / 59,0	-
Temperatura interior máx.	27,0 / 80,6	-

Ts: Temperatura de ampolla seca. Th: Temperatura de ampolla húmeda.

FILTROS DEL AIRE

1. Abra el panel frontal.

- Sostenga el panel en los recesos de la unidad principal (2 recesos a los lados derecho e izquierdo) y levántelo hasta que se detenga.



2. Extraiga los filtros de aire.

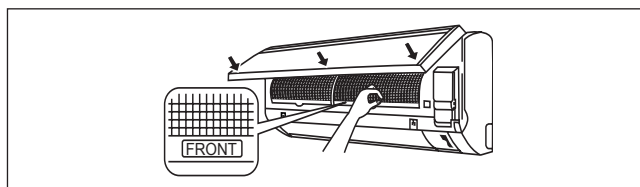
- Empuje un poco hacia arriba la pestaña del centro de cada filtro de aire, luego hacia abajo.

3. Limpie o cambie los filtros.

- Al sacudir el agua restante, no exprima el filtro.

4. Configure el filtro de aire como estaban y cierre el panel frontal.

- Inserte los ganchos de los filtros en las ranuras del panel frontal. Cierre lentamente el panel frontal y presiónelo por los 3 puntos. (uno en cada extremo y otro en el centro)
- El filtro de aire tiene forma simétrica en dirección horizontal.



REPARACIONES Y MANTENIMIENTO

Componentes	Procedimientos Para Su Mantenimiento
Filtro de aire (unidad de interior)	<ol style="list-style-type: none"> Elimine el polvo adherido al filtro mediante una aspiradora o lavándolo en agua templada (a menos de 40°C/104°F) con un jabón neutro. Enjuague y seque bien el filtro antes de volverlo a colocar en la unidad. No use gasolina, sustancias volátiles ni productos químicos para limpiar el filtro.
Unidad interior	<ol style="list-style-type: none"> Limpie cualquier suciedad o polvo de la rejilla o el panel con un trapo suave empapado de agua tibia (a menos de 40°C/104°F) con una solución detergente neutra. No use gasolina, sustancias volátiles ni productos químicos para limpiar la unidad de interior.

1. Abra el panel frontal.

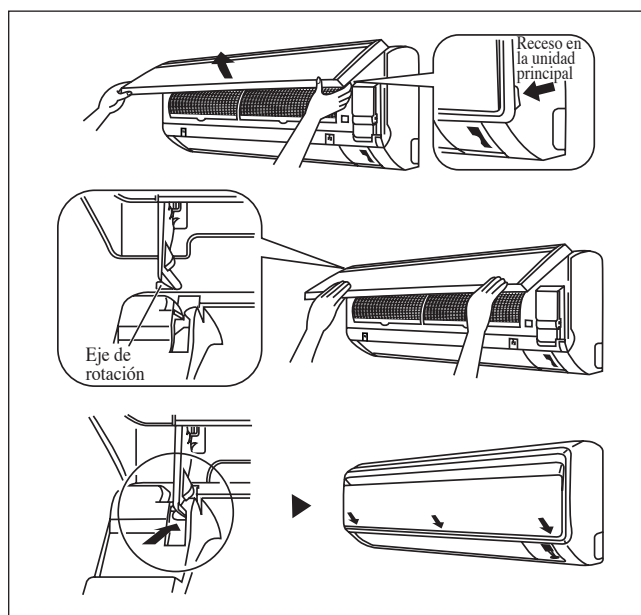
- Sostenga el panel en los recesos de la unidad principal (2 recesos a los lados derecho e izquierdo) y levántelo hasta que se detenga.

2. Remueva el panel frontal.

- Mientras levanta el panel frontal más, deslícelo a la derecha y tírelo al lado frontal. Se desprende el eje de rotación izquierdo. Deslice el eje de rotación derecho a la izquierda y tírelo al lado frontal para removerlo.

3. Instale el panel frontal.

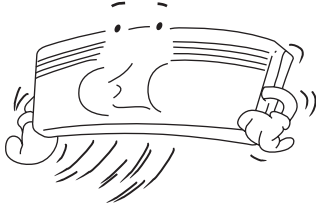
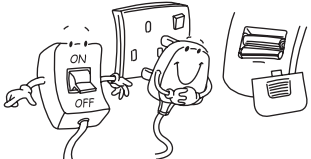
- Alinee los ejes de rotación derecho e izquierdo del panel frontal con las ranuras y empújelos completamente hacia adentro.
- Cierre gentilmente el panel frontal. (Pulse ambos extremos y el centro del panel frontal.)



⚠ PRECAUCIÓN

- No toque las partes de metal de la unidad interior. Podría causarle lesiones.
- Cuando extraiga o coloque el panel frontal, sujételo firmemente con la mano para evitar que se caiga.
- Para la limpieza, no utilice agua caliente con temperatura superior a los 40°C, bencina, nafta, diluyente u otros aceites volátiles, compuesto para pulir, cepillos, ni material duro.
- Después limpiarlo, asegúrese de que el panel frontal esté bien fijado.

Cuando No Se Va A Usar La Unidad Por Un Tiempo Prolongado

<p>Opera la unidad durante 2 horas con el siguiente programa.</p> <p>Modo de funcionamiento : frío Temperatura : 30°C/86°F</p>		<p>Retirar al clavija de alimentación. Si se usa un circuito eléctrico independiente para su unidad, cortar el circuito. Retirar las baterías del control remoto.</p>	
--	---	---	---

LOCALIZACIÓN DE AVERIAS

Para consultas sobre piezas de recambio, póngase en contacto con un distribuidor autorizado. Cuando detecte alguna anomalía en el funcionamiento de la unidad de aire acondicionado, desconéctela inmediatamente de la fuente de alimentación eléctrica. Como unas simples pistas para el mantenimiento y las reparaciones, compruebe los siguientes fallos y sus causas.

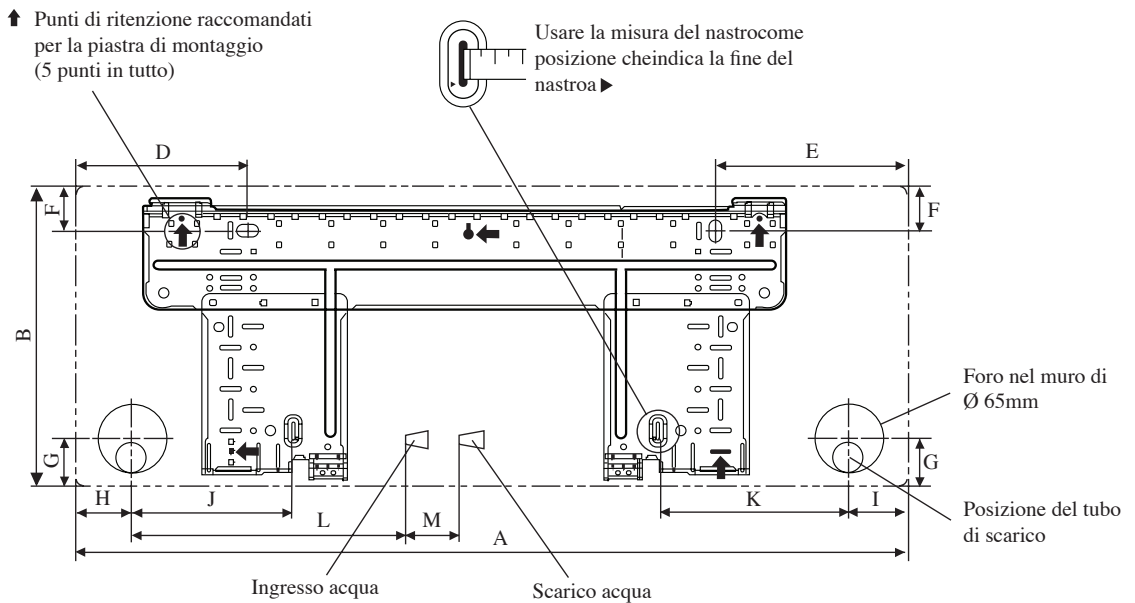
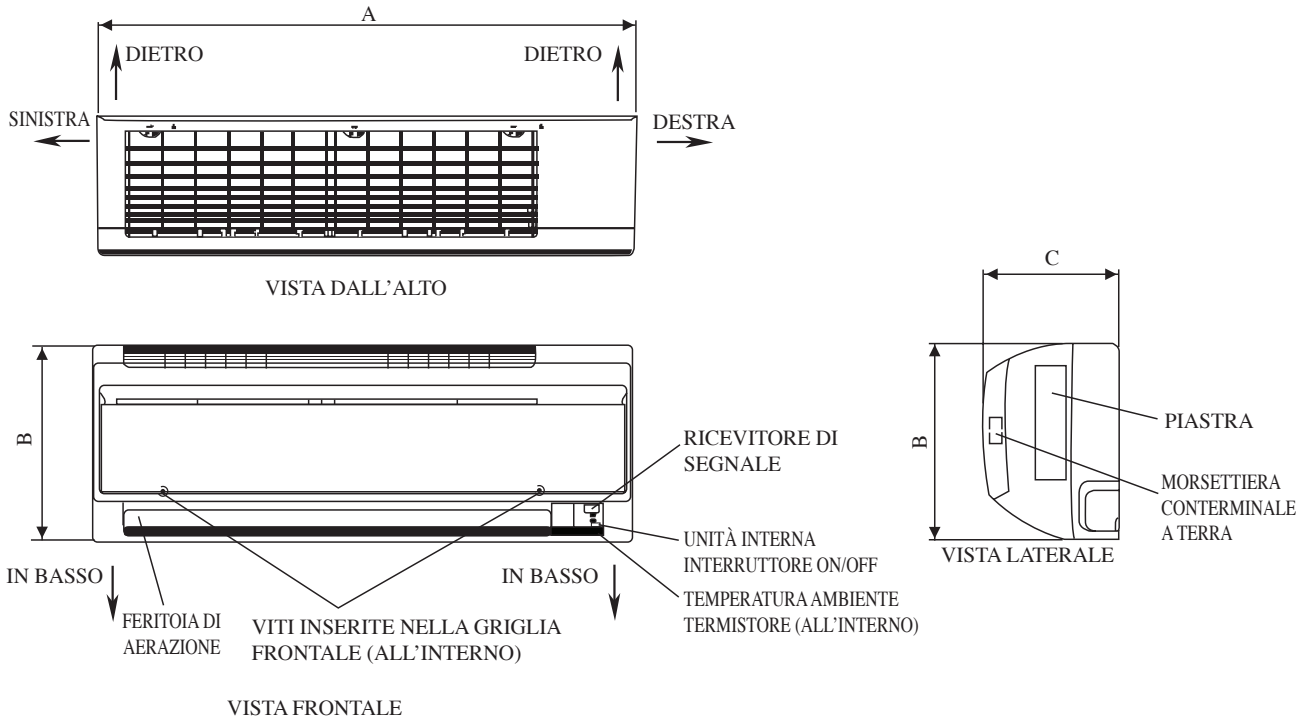
Falla	Causa/Acción
1. La unidad de aire acondicionado no funciona.	<ul style="list-style-type: none"> – Falta de alimentación o se debe reemplazar el fusible. – La clavija de alimentación está desconectada. – Es posible que no haya ajustado correctamente el temporizador de retardo. – Si el fallo sigue después de estas verificaciones, contacte con el instalador de la unidad de aire acondicionado.
2. El flujo de aire es demasiado bajo.	<ul style="list-style-type: none"> – El filtro de aire está sucio. – Las puertas y las ventanas están abiertas. – La entrada y salida del aire están obstruidas. – La temperatura elegida en el ajuste no es lo suficientemente alta.
3. El flujo de aire de descarga huele mal.	<ul style="list-style-type: none"> – Estos olores se pueden deber a particularas de humo de cigarrillo, perfume, sudor, etc. que se hayan adherido al serpentín.
4. Condensación en la rejilla de aire frontal-unidad de interior.	<ul style="list-style-type: none"> – Esto se debe a la humedad del aire, después de un tiempo de funcionamiento prolongado. – La temperatura elegida en el ajuste es demasiado baja. Aumente la temperatura elegida y empiece la unidad con el ventilador a alta velocidad.
5. Sale agua de la unidad de aire acondicionado.	<ul style="list-style-type: none"> – Apague la unidad y llame al vendedor local.

Si la averia persiste, póngase en contacto con el técnico o vendedor local.

DISEGNI E DIMENSIONI

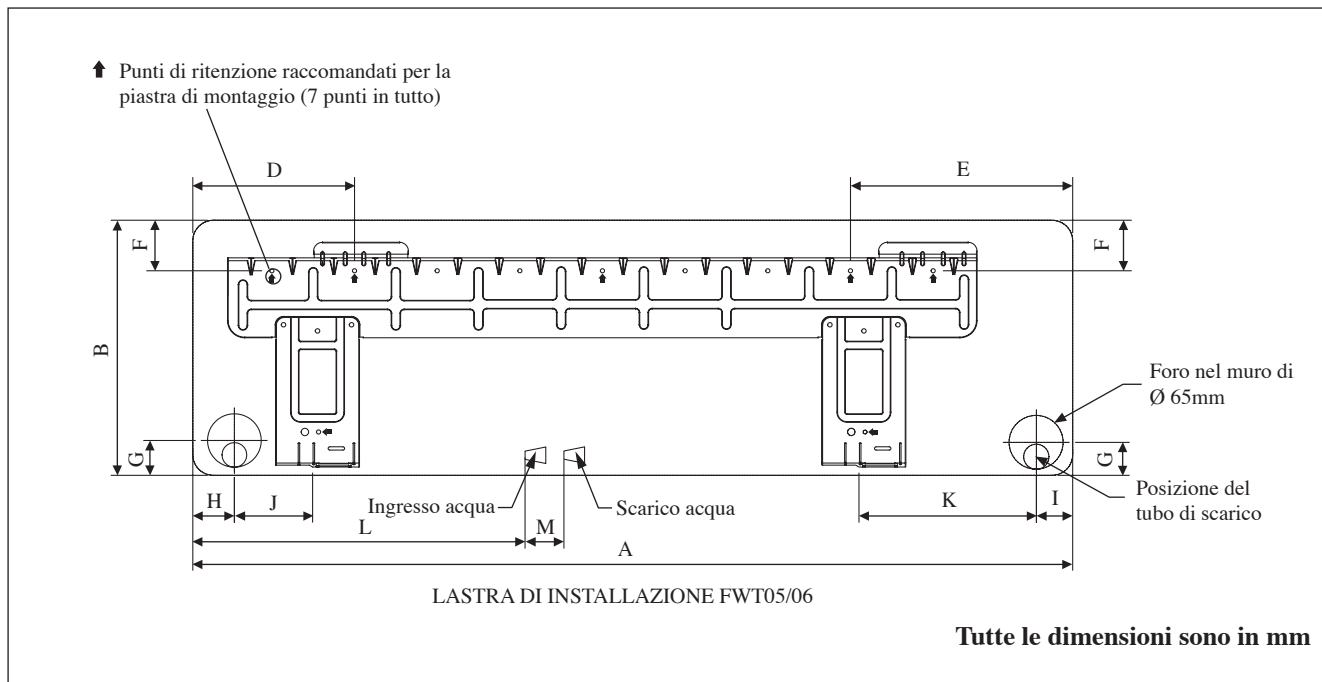
Unità Interna

IL SEGNO (→) MOSTRA LA DIREZIONE DEI TUBI



LA STRA DI INSTALLAZIONE FWT02/03/04

Tutte le dimensioni sono in mm



Dimensioni	A	B	C	D	E	F	G	H	I	J	K	L	M
Modello													
FWT02/03/04	800	288	206	166	184	42	46	55	56	154	182	267	55
FWT05/06	1065	310	224	190	173	61	40	45	48	91	219	593	60

MANUALE D'INSTALLAZIONE

Il presente manuale descrive come procedere all'installazione del condizionatore per assicurarne il corretto funzionamento in condizioni di sicurezza.

Degli adattamenti possono rivelarsi necessari per rispondere a particolari esigenze locali.

Prima di utilizzare il condizionatore, leggere attentamente le presenti istruzioni. Conservarle per ogni evenienza futura.

Questo apparecchio è destinato all'uso da parte di persone esperte o formate in negozi, nell'industria leggera o in aziende agricole o all'uso commerciale da parte di persone non addette.

Il presente apparecchio non è destinato all'uso da parte di persone, inclusi bambini, con ridotte capacità fisiche, sensoriali o mentali, o senza la dovuta esperienza e conoscenza, a meno che non vengano poste sotto la supervisione di una persona responsabile della loro sicurezza o che tale persona fornisca loro le istruzioni per l'uso dell'apparecchio.

Tenere i bambini sotto la supervisione di un adulto per evitare che giochino con l'apparecchio.

NORME DI SICUREZZA

AVVERTENZA

- L'installazione e la manutenzione devono essere eseguite da personale qualificato, competente in questo genere di apparecchi e al corrente delle leggi e regolamenti in vigore.
- Tutti gli allacciamenti elettrici devono essere eseguiti conformemente alla regolamentazione elettrica in vigore.
- Prima di procedere agli allacciamenti secondo lo schema elettrico presentato più avanti, accertarsi che il voltaggio dell'apparecchio corrisponda a quello della rete.
- Dotare il condizionatore di una presa di TERRA al fine di prevenire i rischi originati da eventuali deficienze del sistema di isolamento.
- Evitare che i fili elettrici tocchino le tubazioni frigorifere o un qualsiasi organo rotante dei motori del ventilatore.
- Prima di installare il condizionatore o di procedere ad interventi di manutenzione, accertarsi che sia spento (OFF).
- Togliete sempre la corrente prima di effettuare la manutenzione del condizionatore.
- NON rimuovere il cavo di alimentazione quando il condizionatore è acceso. Questo può causare seri shock elettrici e pericolo d'incendio.
- Mantenere l'unità interna e quella esterna, il cavo di alimentazione e il cablaggio di trasmissione ad almeno 1m di distanza da TV e radio, per evitare immagini distorte e scariche statiche. {A seconda del tipo e sorgente di onde elettriche, si possono sentire scariche statiche anche a più di 1m di distanza}.

CAUTELE

Durante l'installazione, verificare accuratamente i punti seguenti.

- **Verificare che i condotti di drenaggio siano stati correttamente installati.**
 - ! Un'installazione incorretta può causare delle perdite d'acqua e danneggiare il mobilio.
- **Dopo l'installazione o gli interventi di manutenzione accertarsi di rimettere a posto il pannello di chiusura.**
 - ! Una difettosa chiusura del pannello è causa di rumori durante il funzionamento.
- **I bordi affilati e le superfici della serpentina sono possibili aree che possono causare pericolo di lesioni. Evitare di entrare in contatto con tali aree.**
- **Prima di spegnere l'apparecchio, impostare l'interruttore ON/OFF del telecomando sulla posizione "OFF" in modo da evitare l'apertura nociva dell'unità.** In caso contrario, le ventole dell'unità iniziano a ruotare automaticamente quando si riaccende l'apparecchio, causando pericoli di lesioni al personale di servizio ed agli utenti.
- **Non installare le unità sul vano della porta o nelle sue vicinanze.**
- **Non mettere in funzione apparecchi per il riscaldamento troppo vicini al condizionatore d'aria o non utilizzare l'unità in un ambiente in cui sono presenti olio minerale o vapori da olio, ciò potrebbe provocare la fusione o la deformazione della plastica a seguito del calore eccessivo o di una reazione chimica.**
- **Quando l'unità è utilizzata in cucina, tenere la farina lontana in modo da evitare che l'unità la aspiri.**
- **Questa unità non è idonea all'utilizzo in stabilimenti dove sono presenti nebbie di olio da taglio o polveri metalliche o dove c'è una forte oscillazione di tensione.**
- **Non installare le unità in aree quali le sorgenti calde o le raffinerie petrolifere in cui è presente gas solforoso.**
- **Accertarsi che i colori dei fili dell'unità esterna corrispondano ai contrassegni dei morsetti dell'unità interna.**
- **IMPORTANTE: NON INSTALLARE O UTILIZZARE IL CONDIZIONATORE D'ARIA IN UNA ZONA LAVANDERIA.**
- **Non usare fili congiunti e intrecciati per l'alimentazione in ingresso.**
- **L'apparecchio non è destinato all'uso in un ambiente potenzialmente esplosivo.**

AVVISO

Specifiche di smaltimento

Il climatizzatore è contrassegnato con questo simbolo, ciò significa che i prodotti elettrici ed elettronici non possono essere smaltiti insieme ai rifiuti domestici non differenziati.

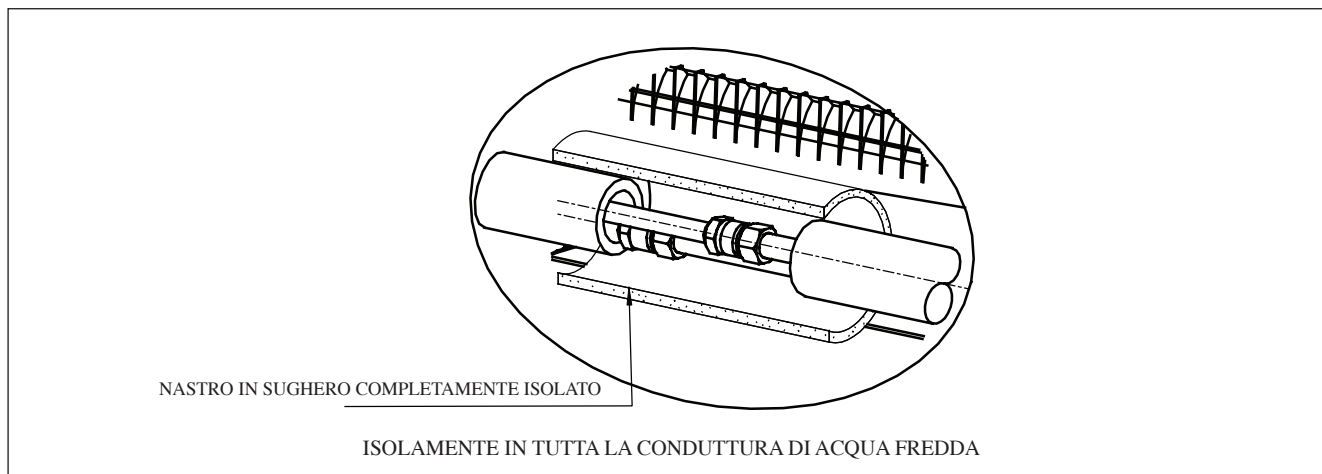
Non cercare di demolire il sistema da soli: la demolizione del sistema di condizionamento, nonché il recupero del refrigerante, dell'olio e di qualsiasi altra parte devono essere eseguiti da un installatore qualificato in conformità alla legislazione locale e nazionale vigente in materia.

I climatizzatori devono essere trattati presso una struttura specializzata nel riutilizzo, riciclaggio e recupero dei materiali. Il corretto smaltimento del prodotto eviterà le possibili conseguenze negative all'ambiente e alla salute dell'uomo. Per maggiori informazioni contattare l'installatore o le autorità locali.

Le batterie devono essere tolte dal telecomando e smaltite separatamente conformemente alla legislazione locale e nazionale vigente in materia.

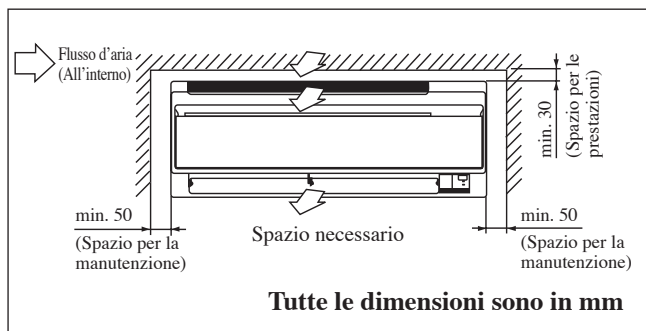


DIAGRAMMA PER L'INSTALLAZIONE



INSTALLAZIONE DELL'UNITÀ INTERNA

L'unità interna deve essere installata in modo da evitare lacortocircuitazione tra il flusso d'arua fredda in uscita e l'arua di ritorno Assicurarsi di mantenere le distanze di rispetto/sicurezza illustrate nella figura. Installare l'unità interna in modo che non si trovi ad essere direttamente esposta ai raggi del sole o in prossimità di porte e finestre. Questa disposizione è la migliore anche per le tubazioni e il sistema di drenaggio.

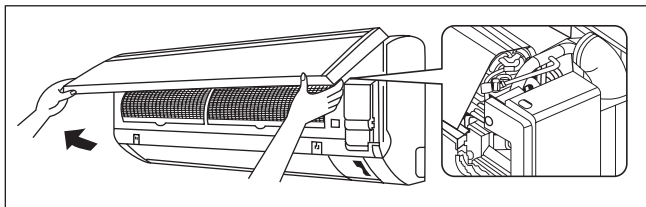


CAUTELA

Non installare l'unità ad un'altitudine superior a 2000m.

Spurgo dell'aria

Per evitare danni alla pompa, la bobina del ventilatore non deve essere alimentata finché la bobina e tutte le linee dell'acqua non hanno effettuato lo spurgo dell'aria.



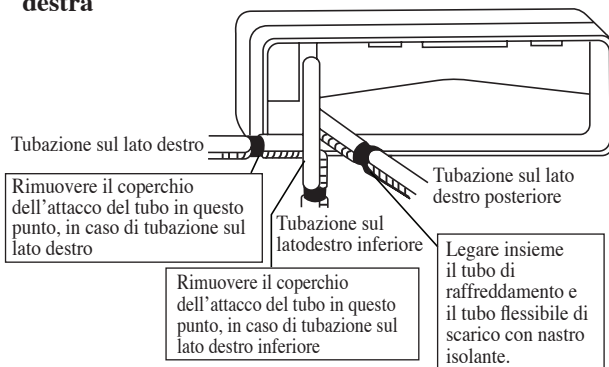
Lo sfiato è situato all'interno dell'alloggiamento. Rimuovere l'alloggiamento e collegare il flessibile allo sfiato mentre si esegue il pompaggio.

CAUTELA

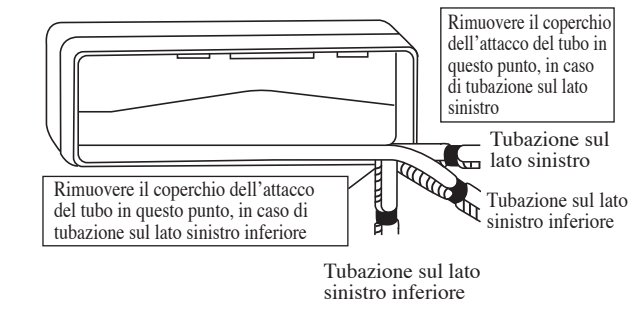
Assicurarsi che non vi siano gocce d'acqua nella scatola di controllo durante lo spurgo.

I tubi dell'acqua possono essere collegati al condizionatore in vari modi (lato posteriore destro o sinistro) utilizzando i fori predisposti sul rivestimento esterno (vedere figura).Piegarne accuratamente i tubi nel verso richiesto per condurli al foro appropriato. Per far fuoriuscire il lato e la parte posteriore, tenere il fondo del tubo e posizionarlo nella direzione richiesta (vedere figura). Utilizzando del nastro adesivo, fissarve quindi insieme il tubo di drenaggio.

Tubo laterale destro, posteriore destro o in basso a destra



Tubo laterale sinistro, posteriore sinistro o in basso a sinistra

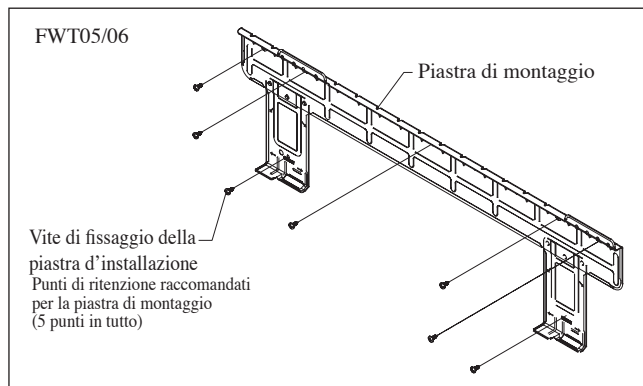
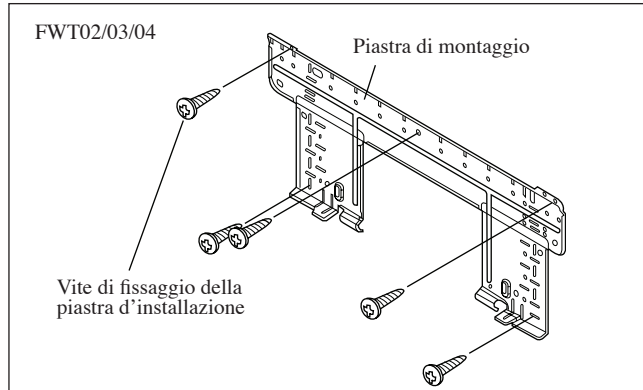


Montaggio Della Staffa Di Supporto

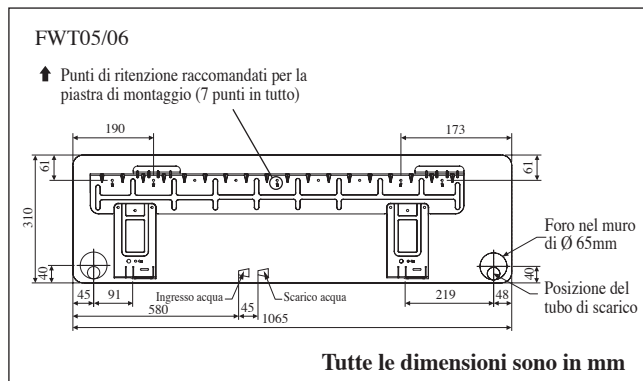
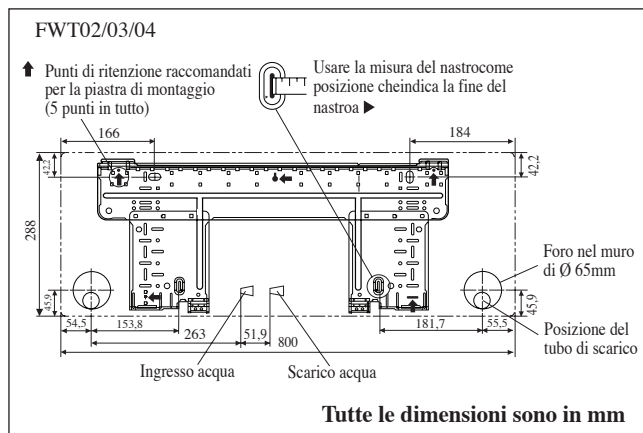
Accertarsi della capacità di tenuta della parete. Se il muro non è in grado di sopportare il peso dell'apparecchio, rinforzarlo con delle piastre o dei pilastri di sostegno.

Usare un indicatore di livello per il montaggio orizzontale e eseguire l'installazione con 5 viti adatte al modello FWT02/03/04 e 7 viti adatte al modello FWT05/06.

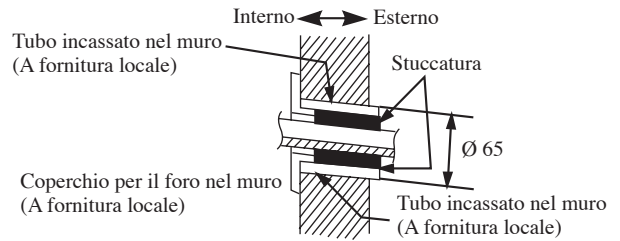
Nel caso in cui le tubazioni posteriori fuoriescano, praticare sul muro un foro di 65mm di diametro servendosi di una perforatrice a cono. Il foro deve presentare all'esterno una leggera inclinatura verso il basso (veder figura).



Punti Di Fissaggio Della Piastra Di Montaggio E Dimensioni Raccomandate



Foro Con Perforatrice A Cono



Montaggio Dell'unità

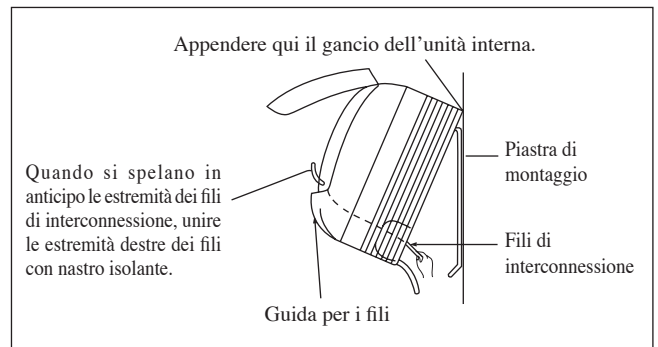
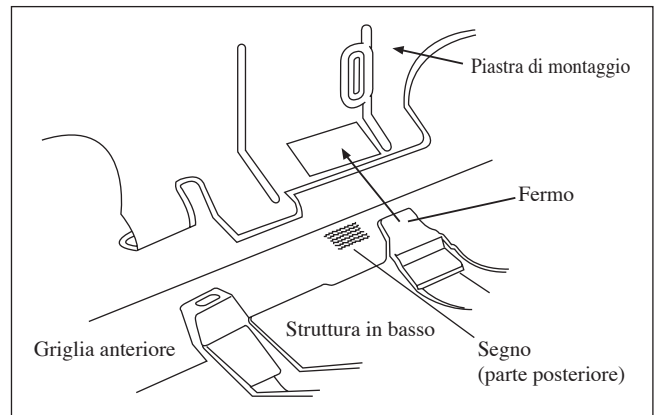
Agganciare l'unità alla parte superiore della staffa (inserire i due ganci posteriori dell'unità negli appositi fori della staffa). Per controllare se gli agganci sono correttamente inseriti nella piastra d'installazione, spostare l'unità leggermente verso destra e sinistra.

Come Fissare L'unità Interna

Agganciare le griffe del telaio inferiore alla piastra di montaggio.

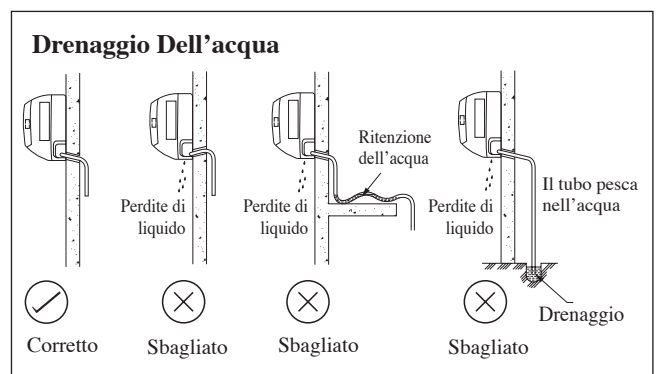
Come Rimuovere L'unità Interna

Spingere in alto fino all'parea contrassegnata (nella parte inferiore della griglia frontale) per rilasciare gli artigli.



Tubo Di Scarico Condensa

Il tubo di drenaggio interno deve essere posizionato in leggera pendenza per garantirne un buon funzionamento. Evitare condizioni che possono causare perdite d'acqua.



Italiano

Collegamento Dei Condotti D'acqua

L'unità interna dispone di raccordi filettati per lo scarico e l'ingresso dell'acqua. Vi è uno sfiatoio, montato sul collettore dello scarico dell'acqua, per lo spurgo dell'aria.

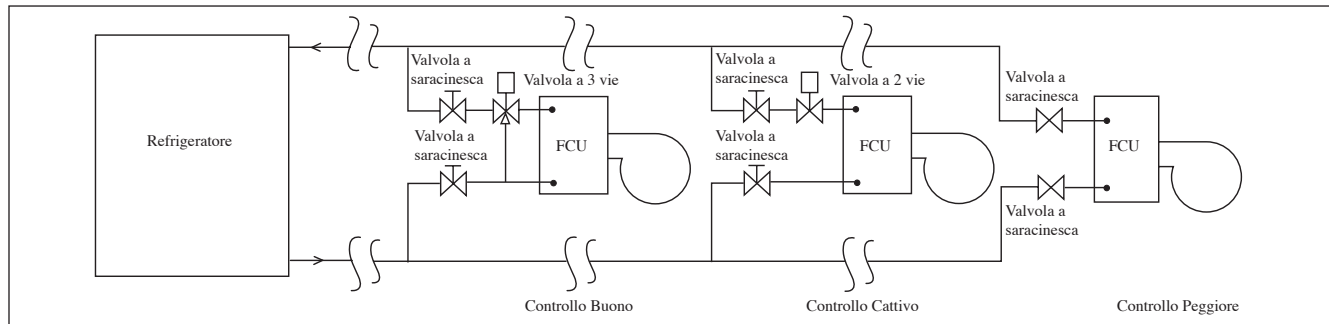
Per disattivare o bypassare il ciclo d'acqua refrigerata è necessaria a 3 vie.

Per l'installazione, si consiglia di utilizzare tubi neri in acciaio, in politrene, in PVC e in rame.

Tutti i tipi di tubi e raccordi devono essere isolati da poliuretano (ARMAFLEX o equivalente) per evitare condensa.

Non utilizzare condotti e accessori contaminati o danneggiati.

È necessario utilizzare dei componenti accessori per migliorare la capacità e la semplicità di servizio, come valvole a saracinesca, valvole di compensazione, a 2 o 3 vie, filtri, ecc.

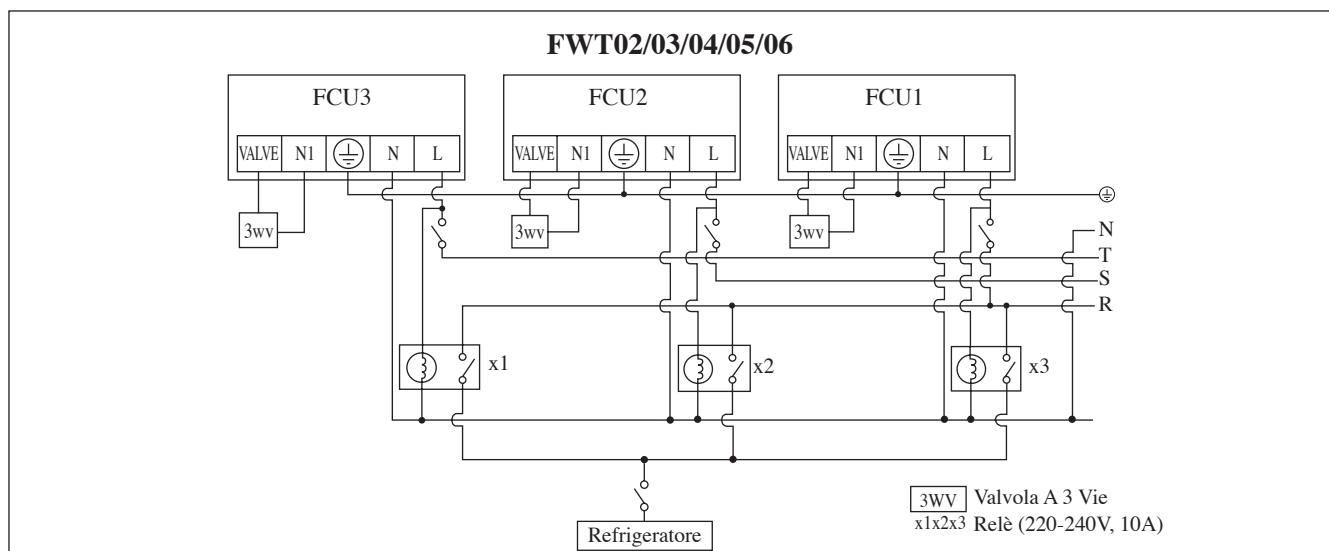
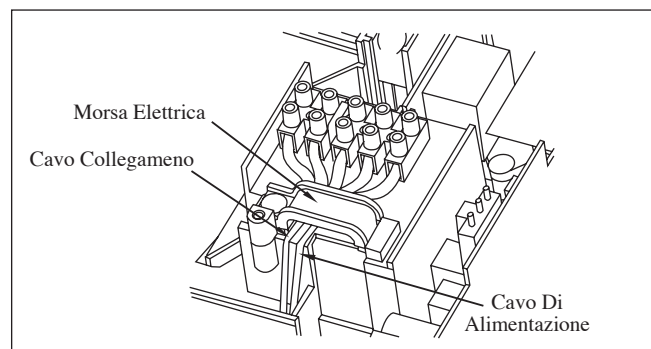


ALLACCIAMENTI ELETTRICI

IMPORTANTE : * I valori sopra indicati hanno solo un carattere indicativo. Devono quindi essere verificati e scelti in modo da rispondere alle leggi vigenti e ai regolamenti locali. Essi variano anche a seconda del tipo di installazione e alle dimensioni dei conduttori.
 ** L'appropriato intervallo di tensione deve essere confrontato con i dati della targa dell'apparecchio. Tutti i poli devono essere scollegati nella rete di alimentazione, con una separazione di contatto di almeno 3mm.

Modello	FWT02/03/04/05/06	
Voltaggi ammessi**	220V – 240V/1Ph/50Hz + ⊕	
Dimensioni del cavetto di alimentazione* Numero di conduttori	mm ²	1,5 3
Tempo consigliato ritardo fusibile	A	2

- Tutti i fili devono essere collegati saldamente.
- I fili non devono toccare né i condotti del refrigerante, né il compressore né gli organi rotanti del motore della ventola.
- I legare di collegamento all'unità dell'interno devono essere premuti sui morsetti di legare come appare la figura.
- Il cavo di alimentazione deve essere equivalente a H07RN-F il quale rappresenta il requisito minimo, e deve essere inserito in un tubo di protezione.

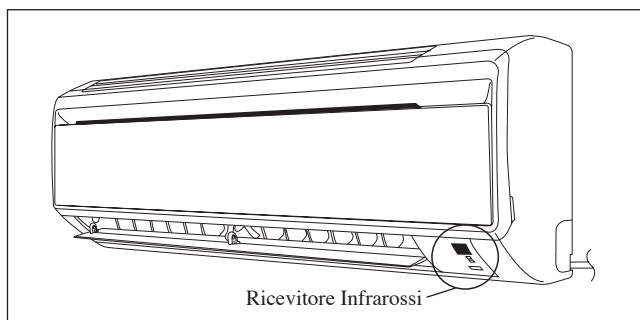


L'INDICATORE ACCENDE

Ricevitore A Infrarossi

Quando si trasmette un segnale operativo dal telecomando ad infrarossi, il ricevitore di segnali sull'unità interna risponderà nel modo di cui sotto per confermare l'accettazione della trasmissione del segnale.

da ON a OFF	1 Segnale bip lungo
da ON a OFF Pompa non attiva/Potenza di raffreddamento attiva	2 Segnale bip breve
Altri	1 Segnale bip breve



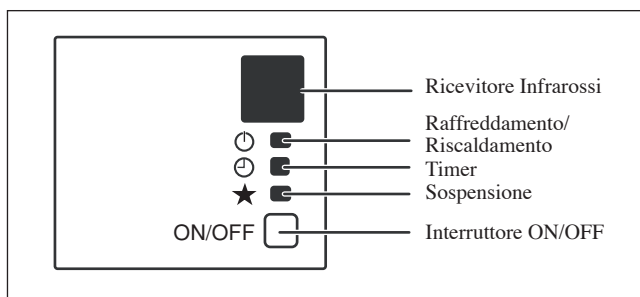
Ricevitore Infrarossi

Spie Luminose "LED" Dell'unità Di Raffreddamento/Riscaldamento

Raffreddamento/Riscaldamento

La tabella che segue indica la funzione della diverse spie di controllo del condizionatore come pure gli interventi da effettuare in caso di guasto.

Le luci di indicatore del LED sono situate in basso a destra dell'unità del condizionatore dell'aria.



Spie Luminose "LED": Normale Funzionamento E Guasti Dell'unità Di Raffreddamento/Riscaldamento

	 RAFFREDDISI/ CALORE (VERDE/ROSSO)		Indicatore operazione/difficoltà	Intervento	Codice errore
			Raffreddamento	-	-
			Riscaldamento	-	-
			Accensione temporizzatore	-	-
			Accensione modalità riposo	-	-
			Modo "Fan" inserito	-	-
			Modo "Dry" inserito	-	-
			Sensore aria ambiente incorto o falso contatto	Rivolgersi al servizio di assistenza	Lampeggia E1
			Sensore serpentina interna interrotto/ in corto	Rivolgersi al servizio di assistenza	Lampeggia E2
			Temperatura dell'acqua nelle tubazioni insufficiente	-	Lampeggia E4
			Temperatura dell'acqua nelle tubazioni insufficiente	-	Lampeggia E5
			Errore hardware (pedino interruttore a sfioramento in corto)	Rivolgersi al servizio di assistenza	Lampeggia E8
			Nessun ritorno dal ventilatore interno	Rivolgersi al servizio di assistenza	Lampeggia E9

SU

/● ACCESO o SPENTO

Lampeggiante

FUNZIONAMENTO DEL CONDIZIONATORE D'ARIA

Modalità Deumidifica

- Quando c'è molta umidità si può attivare la modalità deumidifica. Premere il pulsante <MODE> e scegliere <DRY>.
- Se la temperatura ambiente è più di 2°C/3,6°F superiore alla temperatura impostata, il condizionatore funzionerà in modalità raffreddamento fino a che la differenza tra le due temperature sarà minore di 2°C/3,6°F e poi funzionerà in modalità deumidifica.
- Se la differenza tra la temperatura ambiente e la temperatura impostata è minore di 2°C/3,6°F, il condizionatore funzionerà direttamente in modalità deumidifica.
- In funzione DEUMIDIFICA il condizionatore funzionerà a BASSA velocità.

Funzione Riscaldamento (solo per i condizionatori provvisti di pompa di calore)

- Quando il condizionatore è impostato sulla corrente d'aria fredda, il ventilatore interno si metterà in funzione solo dopo che la batteria ha raggiunto la temperatura desiderata.
- Per la modalità di ventilazione, la ventola interna continuerà a funzionare una volta impostato il condizionatore su ON.
- Una volta raggiunta la temperatura desiderata, il ventilatore interno continuerà a funzionare fino a che la batteria è nelle condizioni di fornire calore.

Controllo Flusso Aria

- Per una più efficace circolazione dell'aria, è possibile aggiustare a mano verso destra o sinistra la griglia di ventilazione.
- Durante il funzionamento in modalità freddo e deumidifica, evitare di dirigere, per un lungo periodo di tempo, l'aletta di ventilazione verso il basso. In caso contrario, è possibile che sulla feritoia si formi della condensa che gocciolerà sul pavimento.

Velocità Del Ventilatore E Capacità Di Raffreddamento Nominale

- La capacità di raffreddamento nominale è raggiungibile a velocità ALTA del ventilatore.
- La capacità di raffreddamento è minore quando il condizionatore funziona a velocità MEDIA o BASSA.

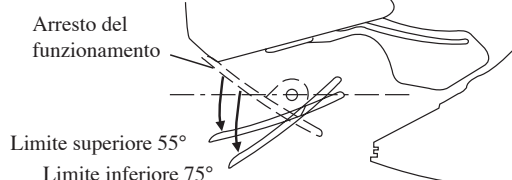
Note Sull'angolazione Dei Deflettori E Delle Feritoie Di Ventilazione

- Quando si preme il "tasto OSCILLAZIONE", l'ampiezza dell'oscillazione delle alette dipende dalla modalità di funzionamento. (Si veda la figura.)

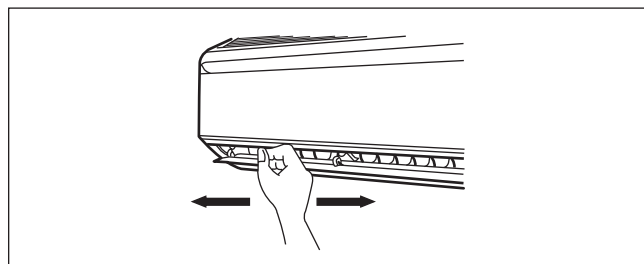
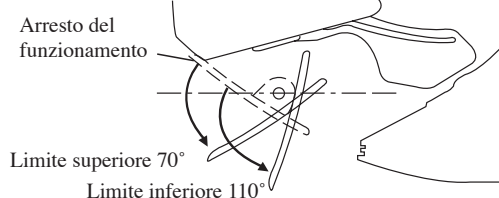
ATTENZIONE

- Per regolare l'angolazione del deflettore usare sempre un telecomando. Se durante l'oscillazione si cerca di spostarlo forzatamente a mano il meccanismo potrebbe rompersi.
- Prestare attenzione durante la regolazione delle feritoie di ventilazione. All'interno dell'uscita dell'aria è presente un ventilatore che ruota a velocità elevata.

Nella modalità RAFFREDDAMENTO e nella modalità VENTILAZIONE, DEUMIDIFICAZIONE



In modalità RISCALDAMENTO



RANGE DI FUNZIONAMENTO

Limiti di utilizzo:

Portante termico : Acqua

Temperatura dell'acqua : 4-10°C Raffreddamento, 35-50°C Riscaldamento

Pressione massima dell'acqua : 16 bar

Temperatura dell'aria : (vedi sotto)

Modo Raffreddamento

Temperatura	Ts °C/°F	Th °C/°F
Temp. interna min.	19,0 / 66,2	14,0 / 57,2
Temp. interna max.	32,0 / 89,6	23,0 / 73,4

Modo Riscaldamento

Temperatura	Ts °C/°F	Th °C/°F
Temp. interna min.	15,0 / 59,0	-
Temp. interna max.	27,0 / 80,6	-

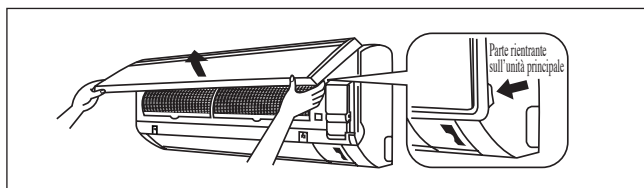
Ts: Temperatura a bulbo secco.

Th: Temperatura bulbo umido.

FILTRI DELL'ARIA

1. Aprire il pannello anteriore.

- Tenere il pannello sulle parti rientranti dell'unità principale (2 parti rientranti sui lati destro e sinistro) e sollevarlo finché si blocca.



2. Estrarre i filtri dell'aria.

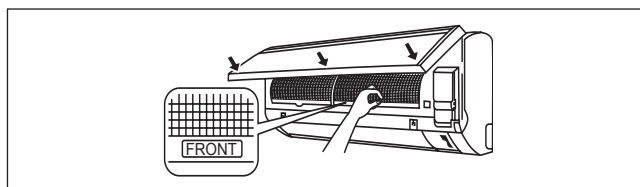
- Spingere leggermente le linguette al centro di ciascun filtro dell'aria verso l'alto, quindi abbassarle.

3. Pulire o sostituire ciascun filtro.

- Quando si rimuove l'acqua rimanente, non strizzare il filtro.

4. Impostare il filtro dell'aria come si trova e chiudere il pannello frontale.

- Inserire i ganci dei filtri nelle asole del pannello anteriore. Chiudere il pannello anteriore lentamente e spingerlo nei 3 punti. (1 su ciascun lato e 1 al centro.)
- Il filtro dell'aria ha una forma simmetrica in direzione orizzontale.



PULIZIA E MANUTENZIONE

Componenti	Procedure Di Manutenzione
Filtro dell'aria interno	<ol style="list-style-type: none"> 1. Togliere la polvere dal filtro usando un'aspirapolvere o lavarlo in acqua tiepida (sotto ai 40°C/104°F) con detersivo neutro. 2. Sciacquare bene e asciugare il filtro prima di rimetterlo nell'unità. 3. Non usare mai benzina o prodotti chimici per pulire il filtro.
Unità interna	<ol style="list-style-type: none"> 1. Togliere la polvere e la sporcizia dalla griglia e dal pannello, strofinando con un panno soffice imbevuto di acqua tiepida (sotto ai 40°C/104°F) e detersivo neutro. 2. Non usare mai benzina o prodotti chimici per pulire l'unità interna.

1. Aprire il pannello anteriore.

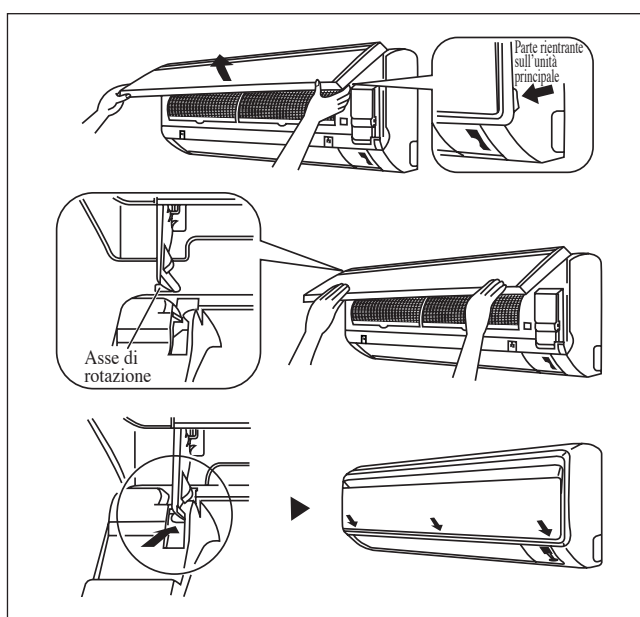
- Tenere il pannello sulle parti rientranti dell'unità principale (2 parti rientranti sui lati destro e sinistro) e sollevarlo finché si blocca.

2. Rimuovere il pannello anteriore.

- Sollevando ulteriormente il pannello anteriore, farlo scorrere verso destra e tirarlo in avanti. L'asse di rotazione sinistro viene staccato. Far scorrere l'asse di rotazione destro verso sinistra e tirarlo in avanti per rimuoverlo.

3. Attaccare il pannello anteriore.

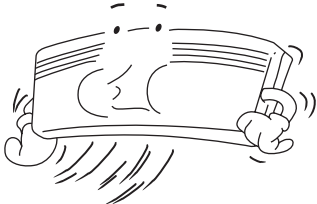
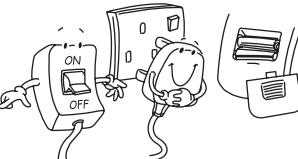
- Allineare gli assi di rotazione destro e sinistro del pannello anteriore con le scanalature e spingerli fino in fondo.
- Chiudere delicatamente il pannello anteriore. (Spingere entrambe le estremità e il centro sul pannello anteriore.)



⚠ CAUTELA

- Non toccare le parti metalliche dell'unità interna. Ciò può causare una lesione.
- Durante la rimozione o il fissaggio del pannello anteriore, sostenerlo saldamente con una mano per evitare che cada.
- Per la pulizia non utilizzare acqua a temperatura superiore a 40°C, benzina, solvente, o altri olii essenziali, composti lucidanti, bruschini o altri materiali duri.
- Dopo la pulizia, accertarsi che il pannello anteriore sia fissato saldamente.

Quando Non Si Prevede Di Utilizzare Il Condizionatore Per Un Lungo Periodo Di Tempo

<p>Far funzionare il condizionatore per 2 ore nella modalità che segue.</p> <p>Funzione : freddo Temperatura : 30°C/86°F</p>		<p>Disinserire la spina. Se per il condizionatore si utilizza un circuito indipendente, interrompere la corrente di tale circuito. Togliere le pile dal telecomando.</p>	
--	---	--	---

GUASTI E RIPARAZIONI

Per richieste di pezzi di ricambio contattare il rivenditore autorizzato. Non appena si nota che il condizionatore funziona male, spegnerlo immediatamente. Qui di seguito, sono elencati alcuni guasti minori con le relative cause.

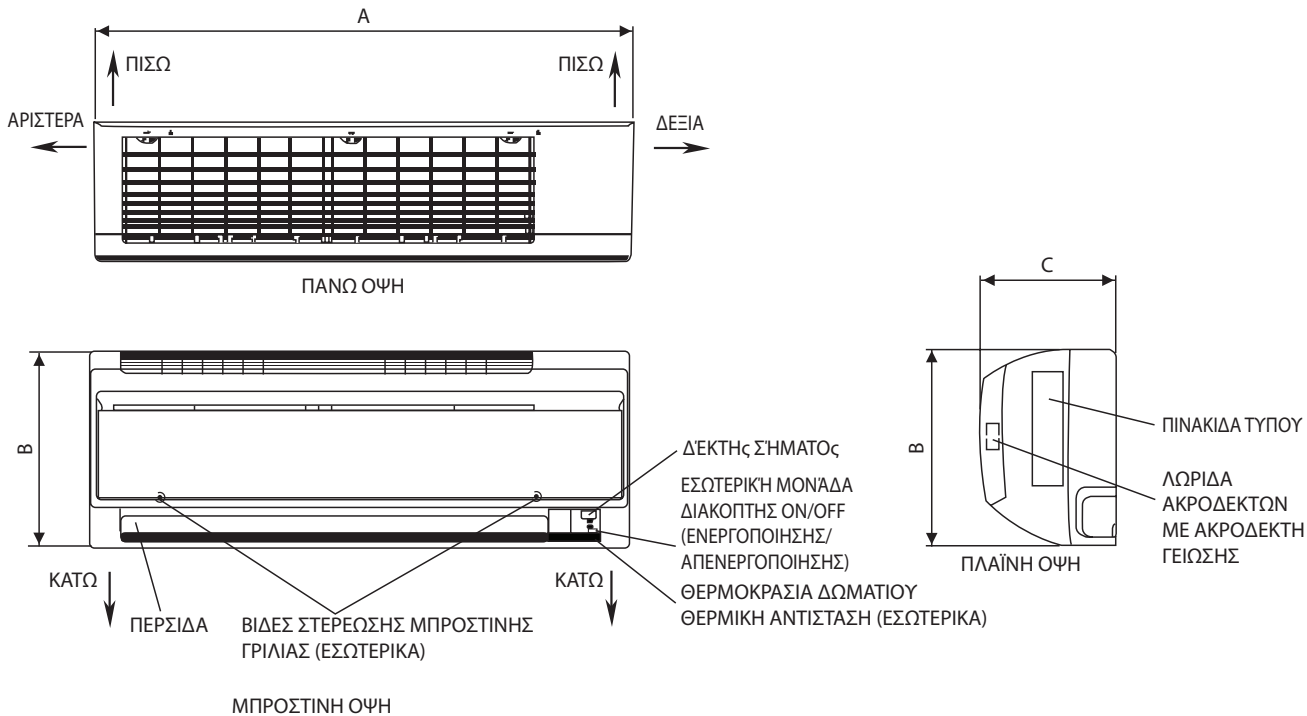
Guasto	Origine / Azioni
1. Il condizionatore non funziona.	<ul style="list-style-type: none"> - Interruzione della corrente o fusibile bruciato. - La spina non è inserita. - L'orario impostato sul timer di ritardo non è corretto. - Se il guasto persiste dopo tutte queste verifiche, contattare l'installatore del condizionatore d'aria.
2. Il flusso d'aria è troppo bassa.	<ul style="list-style-type: none"> - Il filtro dell'aria è sporco. - Le porte o le finestre sono aperte. - L'aspirazione e lo scarico dell'aria sono ostruiti. - La temperatura impostata non è sufficientemente bassa.
3. L'aria che esce dal condizionatore ha cattivo odore.	<ul style="list-style-type: none"> - Il cattivo odore può essere causato da sigarette, particelle di fumo, profumi, ecc. depositati sul serpentino.
4. Condensa sulla griglia anteriore di ventilazione dell'unità interna.	<ul style="list-style-type: none"> - La condensa è dovuta all'umidità dell'aria dopo un lungo periodo di funzionamento. - La temperatura impostata è troppo bassa. Aumentare la temperatura e la velocità della ventola.
5. Acqua sgocciola dal condizionatore.	<ul style="list-style-type: none"> - Spegner l'unità e chiamare il rivenditore.

Se il guasto persiste, rivolgersi al servizio di assistenza.

ΠΕΡΙΓΡΑΦΜΑ ΚΑΙ ΔΙΑΣΤΑΣΕΙΣ

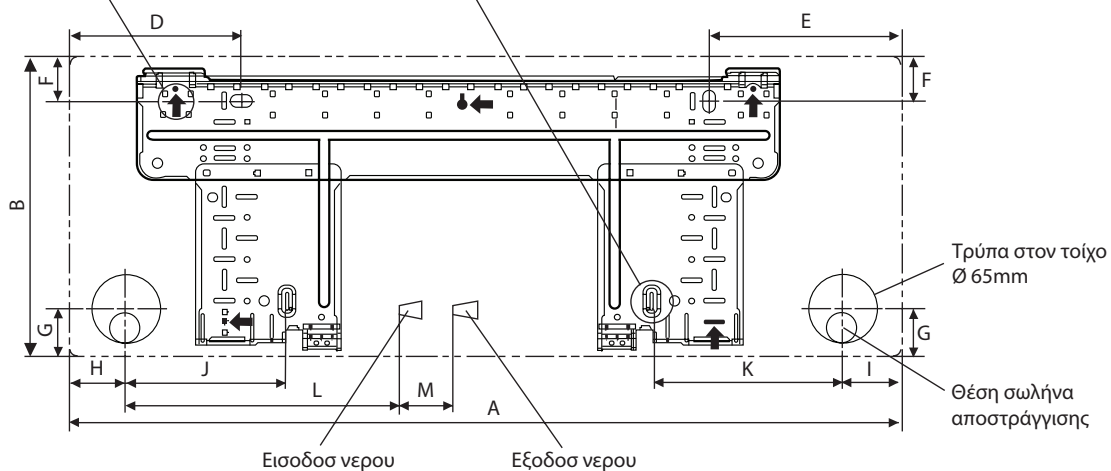
Εσωτερική μονάδα

Η ΕΝΔΕΙΞΗ (→) ΔΕΙΧΝΕΙ ΤΗΝ ΚΑΤΕΥΘΥΝΣΗ ΤΩΝ ΣΩΛΗΝΩΣΕΩΝ



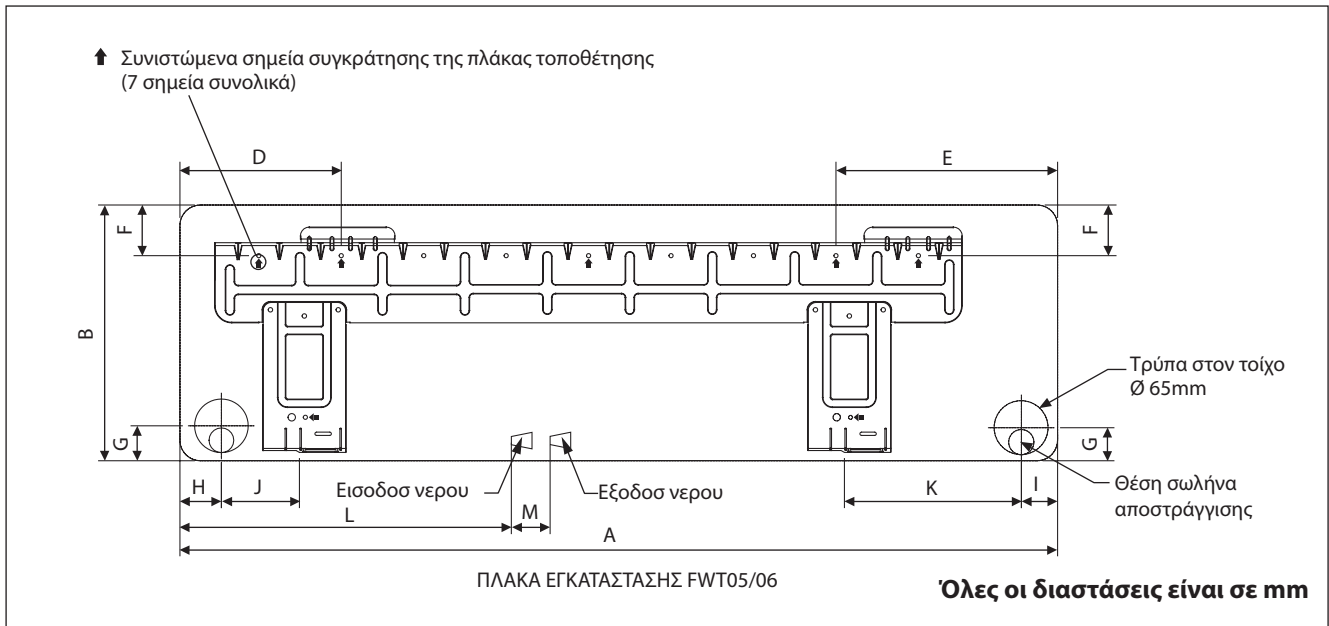
↑ Συνιστώμενα σημεία συγκράτησης της πλάκας τοποθέτησης (5 σημεία συνολικά)

Χρησιμοποιήστε τη μετροταινία όπως φαίνεται στην εικόνα. Τοποθετήστε το άκρο της μετροταινίας στο σημείο ▶



ΠΛΑΚΑ ΕΓΚΑΤΑΣΤΑΣΗΣ FWT02/03/04

Όλες οι διαστάσεις είναι σε mm



Μοντέλο	Α	Β	Γ	Δ	Ε	Ζ	Ζ	Η	Θ	ΙΑ	Κ	Λ	Μ
FWT02/03/04	800	288	206	166	184	42	46	55	56	154	182	267	55
FWT05/06	1065	310	224	190	173	61	40	45	48	91	219	593	60

ΕΓΧΕΙΡΙΔΙΟ ΕΓΚΑΤΑΣΤΑΣΗΣ

Το παρόν εγχειρίδιο παραθέτει τις διαδικασίες εγκατάστασης με σκοπό τη διασφάλιση της ασφαλούς και καλής λειτουργίας της μονάδας κλιματισμού. Ενδέχεται να χρειαστούν ειδικές ρυθμίσεις για να ικανοποιηθούν οι τοπικές απαιτήσεις.

Πριν χρησιμοποιήσετε το κλιματιστικό, διαβάστε προσεκτικά το παρόν εγχειρίδιο οδηγιών και φυλάξτε το για μελλοντική χρήση. Αυτή η συσκευή προορίζεται για χρήση από ειδικούς ή εκπαιδευμένους χρήστες σε καταστήματα, στην ελαφρά βιομηχανία και σε αγροκτήματα, ή για εμπορική χρήση από νομικά πρόσωπα.

Η συσκευή δεν προορίζεται για χρήση από παιδιά και άτομα με μειωμένες σωματικές, αισθητηριακές ή πνευματικές ικανότητες, ή από άτομα χωρίς εμπειρία και γνώσεις, εκτός εάν τη χειρίζονται σύμφωνα με τις οδηγίες ή υπό την επίβλεψη κάποιου ατόμου υπεύθυνου για την ασφαλεία τους.

Μην αφήνετε τα παιδιά χωρίς επίτηρησή, προκειμένου να εξασφαλίσετε ότι δεν παίζουν με τη συσκευή.

ΠΡΟΦΥΛΑΞΕΙΣ ΑΣΦΑΛΕΙΑΣ

⚠ ΠΡΟΕΙΔΟΠΟΙΗΣΗ

- Η εγκατάσταση και η συντήρηση θα πρέπει να εκτελείται από εξειδικευμένα άτομα που γνωρίζουν τον τοπικό κώδικα και τους κανονισμούς, και έχουν πείρα με τέτοιου είδους συσκευές.
- Όλες οι επί τόπου καλωδιώσεις πρέπει να εγκαθίστανται σύμφωνα με τον εθνικό κανονισμό καλωδίωσης.
- Βεβαιωθείτε ότι η ονομαστική τάση τροφοδοσίας της μονάδας αντιστοιχεί σε αυτήν που αναγράφεται στην πινακίδα τύπου, πριν αρχίσετε την καλωδίωση σύμφωνα με το διάγραμμα συνδεσμολογίας.
- Η μονάδα πρέπει να ΓΕΙΩΝΕΤΑΙ προκειμένου να αποφευχθεί τυχόν κίνδυνος λόγω αστοχίας της μόνωσης.
- Απαγορεύεται να έλθει η ηλεκτρική καλωδίωση σε επαφή με τη σωλήνωση ψυκτικού μέσου ή οποιαδήποτε κινούμενα μέρη των μοτέρ ανεμιστήρων.
- Βεβαιωθείτε ότι η μονάδα είναι ΑΠΕΝΕΡΓΟΠΟΙΗΜΕΝΗ πριν την εγκαταστήσετε ή την συντηρήσετε.
- Αποσυνδέστε τη μονάδα κλιματισμού από το δίκτυο ηλεκτρικής τροφοδοσίας πριν εκτελέσετε σέρβις σε αυτήν.
- ΜΗΝ τραβάτε το καλώδιο ρεύματος ενόσω η τροφοδοσία είναι ΕΝΕΡΓΟΠΟΙΗΜΕΝΗ. Κάτι τέτοιο μπορεί να προκαλέσει σοβαρές ηλεκτρικές εκκενώσεις με κίνδυνο πυρκαγιάς.
- Τοποθετήστε την εσωτερική και την εξωτερική μονάδα, το καλώδιο τροφοδοσίας και την καλωδίωση μετάδοσης, σε απόσταση τουλάχιστον 1m από τηλεοράσεις και ραδιόφωνα, ώστε να αποφύγετε τυχόν παραμορφωμένες εικόνες και παράσιτα. {Ανάλογα με τον τύπο και την πηγή των ηλεκτρικών κυμάτων ενδέχεται να ακούγεται θόρυβος ακόμα και σε απόσταση μεγαλύτερη από 1m}.

⚠ ΠΡΟΣΟΧΗ

Κατά την εγκατάσταση, λάβετε υπόψη τις παρακάτω σημαντικές παρατηρήσεις.

- Βεβαιωθείτε ότι η σωλήνωση αποστράγγισης είναι συνδεδεμένη σωστά.
 - ⚠ Αν η σωλήνωση αποστράγγισης δεν είναι συνδεδεμένη σωστά, ενδέχεται να εκρεύσει νερό που θα ποτίσει τα έπιπλα.
- Βεβαιωθείτε ότι το πάνελ της μονάδας είναι κλειστό μετά το σέρβις ή την εγκατάσταση.
 - ⚠ Αστερέωτα πάνελ θα προκαλέσουν θορυβώδη λειτουργία της μονάδας.
- Οι αιχμηρές άκρες και οι επιφάνειες των σερπαντίνων είναι σημεία που κρύβουν κινδύνους τραυματισμού. Αποφύγετε την επαφή με τα σημεία αυτά.
- Πριν απενεργοποιήσετε την τροφοδοσία, θέστε το διακόπτη ON/OFF (ΕΝΕΡΓΟΠΟΙΗΣΗΣ/ ΑΠΕΝΕΡΓΟΠΟΙΗΣΗΣ) του τηλεχειριστηρίου στη θέση "OFF" (ΑΠΕΝΕΡΓΟΠΟΙΗΣΗ) για να αποφύγετε το ενδεχόμενο ακούσιας ενεργοποίησης της μονάδας. Σε διαφορετική περίπτωση, οι ανεμιστήρες της μονάδας θα αρχίσουν να λειτουργούν αυτόματα μόλις αποκατασταθεί η τροφοδοσία, γεγονός που εκθέτει το προσωπικό του σέρβις ή το χρήστη σε κινδύνους.
- Μην εγκαθιστάτε τις μονάδες στην η κοντά σε είσοδο.
- Μην εγκαθιστάτε οποιαδήποτε συσκευή θέρμανσης πολύ κοντά στο κλιματιστικό ούτε να τη χρησιμοποιείτε εκεί όπου υπάρχουν μεταλλικά λάδια, ατμοί λαδιών, γιατί αυτό μπορεί να προκαλέσει το λιώσιμο των πλαστικών μερών η την παραμόρφωση ως αποτέλεσμα υπερβολικής θέρμανσης η χημικής αντίδρασης.
- Όταν η μονάδα χρησιμοποιείται στην κουζίνα, κρατήστε μακριά το αλεύρι ώστε να μην αναρροφηθεί από τη μονάδα.
- Αυτή η μονάδα δεν είναι κατάλληλη για εργοστάσια όπου υπάρχει σκόνη κοπής η αιθάλη λαδιού η κυμαινόμενη τάση.
- Μην εγκαθιστάτε τις μονάδες σε περιοχή με θερμές πηγές ούτε σε διυλιστήρια όπου υπάρχει αέριο του θείου.
- Βεβαιωθείτε ότι το χρώμα των καλωδίων της εξωτερικής μονάδας και των επισημάνσεων του τερματικού είναι το ίδιο με εκείνο της εσωτερικής.
- **ΣΗΜΑΝΤΙΚΟ : ΜΗΝ ΕΓΚΑΘΙΣΤΑΤΕ Ή ΧΡΗΣΙΜΟΠΟΙΕΙΤΕ ΤΟ ΚΛΙΜΑΤΙΣΤΙΚΟ ΣΕ ΔΩΜΑΤΙΟ ΟΠΟΥ ΥΠΑΡΧΕΙ ΠΛΥΝΤΗΡΙΟ ΡΟΥΧΩΝ.**
- Μην χρησιμοποιείτε ενωμένα και συνεστραμμένα καλώδια για την τροφοδοσία.
- Ο εξοπλισμός δεν προορίζεται για χρήση σε μια δυνητικά εκρήξιμη ατμόσφαιρα.

ΣΗΜΕΙΩΣΗ

Απαίτηση απόρριψης

Το κλιματιστικό σας φέρει αυτό το σύμβολο. Αυτό σημαίνει ότι ηλεκτρικά και ηλεκτρονικά προϊόντα δεν πρέπει να αναμιγνύονται με αταξινόμητα οικιακά απορρίμματα.

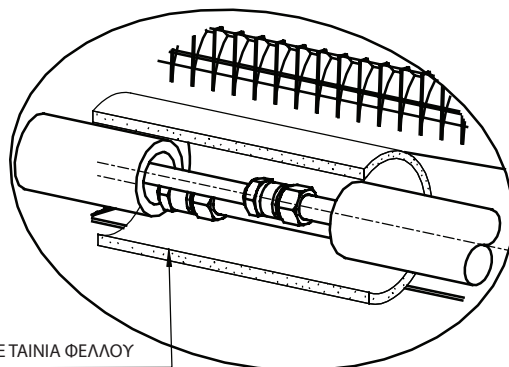
Μην προσπαθήσετε να αποσυναρμολογήσετε μόνοι σας το σύστημα: Η αποσυναρμολόγηση του συστήματος του κλιματιστικού, η επεξεργασία ψυκτικού, λαδιών και άλλων μερών πρέπει να γίνεται από εξειδικευμένο τεχνικό εγκατάστασης σύμφωνα με τη σχετική τοπική και εθνική νομοθεσία.

Η επεξεργασία των κλιματιστικών πρέπει να γίνεται σε ειδικό εργαστήριο για την επαναχρησιμοποίηση, ανακύκλωση και ανάκτηση τους. Εξασφαλίζοντας ότι το προϊόν έχει απορριφθεί σωστά, βοηθάτε στο να αποφευχθούν πιθανές αρνητικές συνέπειες για το περιβάλλον και την ανθρώπινη υγεία. Επικοινωνήστε με τον τεχνικό εγκατάστασης ή τις τοπικές αρχές για περισσότερες πληροφορίες.

Οι μπαταρίες πρέπει να αφαιρεθούν από το τηλεχειριστήριο και να απορριφθούν ξεχωριστά σύμφωνα με τη σχετική τοπική και εθνική νομοθεσία.



ΔΙΑΓΡΑΜΜΑ ΕΓΚΑΤΑΣΤΑΣΗΣ

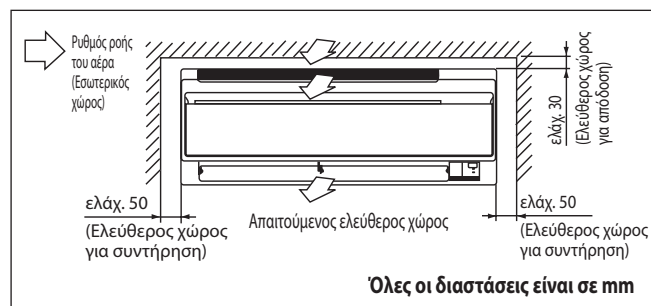


ΠΛΗΡΗΣ ΜΟΝΩΣΗ ΜΕ ΤΑΙΝΙΑ ΦΕΛΛΟΥ

ΜΟΝΩΣΗ ΣΕ ΟΛΗ ΤΗ ΣΩΛΗΝΩΣΗ ΚΡΥΟΥ ΝΕΡΟΥ

ΕΓΚΑΤΑΣΤΑΣΗ ΤΗΣ ΕΣΩΤΕΡΙΚΗΣ ΜΟΝΑΔΑΣ

Η εσωτερική μονάδα πρέπει να είναι εγκατεστημένη έτσι ώστε να μην υπάρχει κλειστό κύκλωμα του ψυχρού αέρα εκροής με το θερμό αέρα επιστροφής. Ακολουθήστε τις οδηγίες για τον χώρο εγκατάστασης σύμφωνα με την εικόνα. Μην τοποθετείτε την εσωτερική μονάδα σε μέρος όπου μπορεί να εκτεθεί σε άμεσο ηλιακό φως. Επίσης, η θέση πρέπει να είναι κατάλληλη για τις σωληνώσεις και την αποστράγγιση και να βρίσκεται μακριά από πόρτες ή παράθυρα.

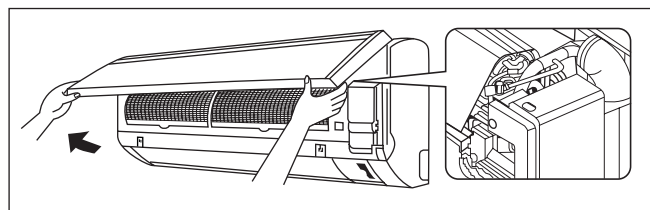


ΠΡΟΣΟΧΗ

Μην εγκαθιστάτε τη μονάδα σε υψόμετρο άνω των 2000μ.

Καθαρισμός αέρα

Για να αποφύγετε βλάβη της αντλίας, η μονάδα πηνίου ανεμιστήρα δεν πρέπει να ενεργοποιηθεί μέχρι να γίνει καθαρισμός αέρα στο πηνίο και σε όλες τις σωληνώσεις νερού.



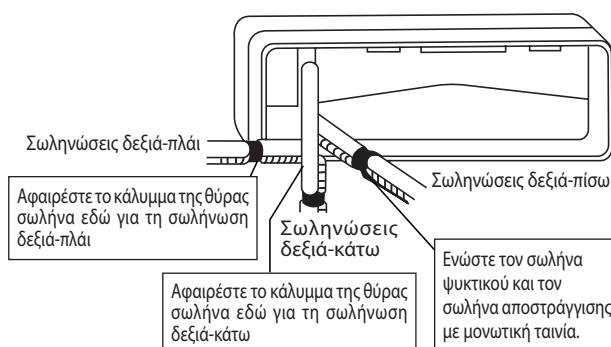
Η διάταξη εξαερισμού βρίσκεται μέσα στο περίβλημα. Αφαιρέστε το περίβλημα και συνδέστε τον σωλήνα στη διάταξη εξαερισμού ενώ πραγματοποιείτε καθαρισμό.

ΠΡΟΣΟΧΗ

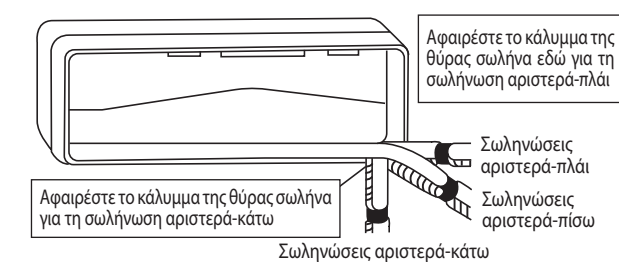
Βεβαιωθείτε ότι δεν πηγαίνουν σταγονίδια νερού στο κιβώτιο ελέγχου κατά τη διαδικασία καθαρισμού.

Οι σωληνώσεις νερού μπορούν να δρομολογηθούν στη μονάδα με διάφορους τρόπους (αριστερά ή δεξιά από το πίσω μέρος της μονάδας), χρησιμοποιώντας τις ήδη ανοιχτές οπές στο περίβλημα της μονάδας (δείτε την εικόνα). Λυγίστε προσεκτικά τους σωλήνες στην απαιτούμενη θέση για να ευθυγραμμιστούν με τις οπές. Στο πλαϊνό και το κάτω τμήμα, κρατήστε το κάτω μέρος των σωληνώσεων και στη συνέχεια τοποθετήστε τις σωληνώσεις προς την απαιτούμενη κατεύθυνση (δείτε την εικόνα). Ο σωλήνας αποστράγγισης συμπύκνωσης μπορεί να κολληθεί με ταινία στους σωλήνες.

Σωληνώσεις δεξιά-πλάι, δεξιά-πίσω ή δεξιά-κάτω



Σωληνώσεις αριστερά-πλάι, αριστερά-πίσω ή αριστερά-κάτω

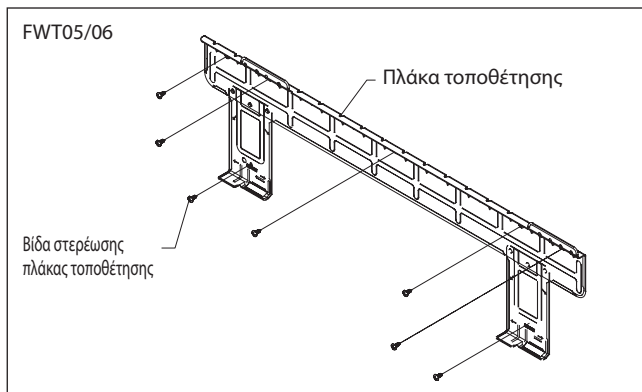
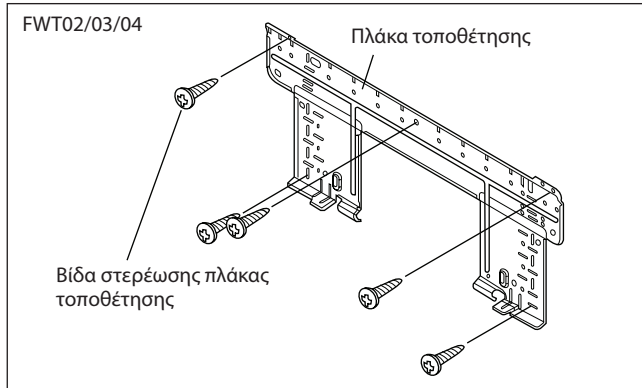


Τοποθέτηση πλάκας εγκατάστασης

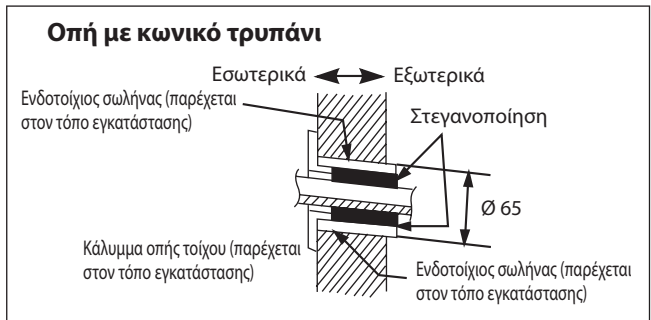
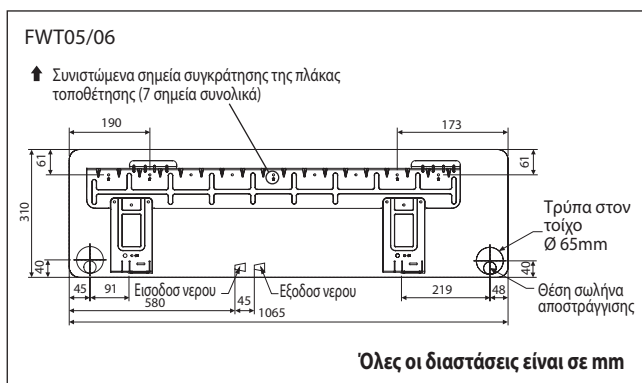
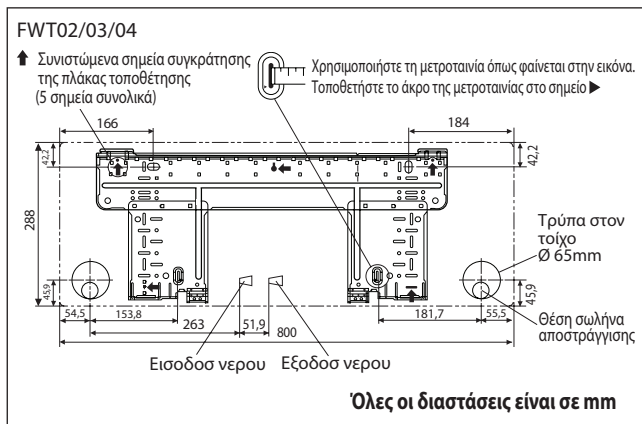
Βεβαιωθείτε ότι ο τοίχος είναι αρκετά γερός ώστε να στηρίξει το βάρος της μονάδας. Διαφορετικά, χρειάζεται να ενισχύσετε τον τοίχο με πλάκες, δοκούς ή στύλους.

Χρησιμοποιήστε το αλφάδι για την οριζόντια τοποθέτηση και σταθεροποιήστε με 5 κατάλληλες βίδες στο FWT02/03/04 και 7 κατάλληλες βίδες στο FWT05/06.

Σε περίπτωση που η πίσω σωλήνωση περισσεύει, ανοίξτε μια τρύπα διαμέτρου 65mm με κωνικό τρυπάνι, λίγο πιο χαμηλά στον εξωτερικό τοίχο (δείτε την εικόνα).



Συνιστώμενα σημεία συγκράτησης της πλάκας τοποθέτησης και διαστάσεις



Τοποθέτηση της μονάδας στην πλάκα εγκατάστασης

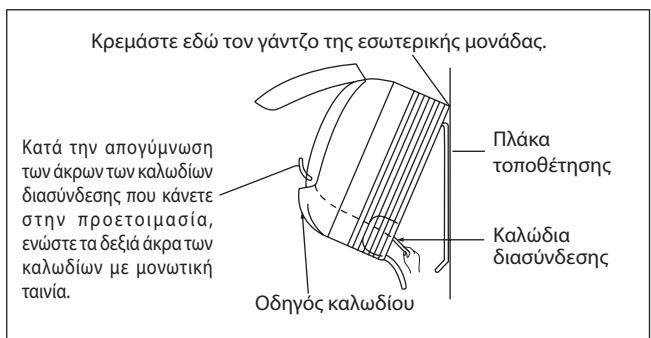
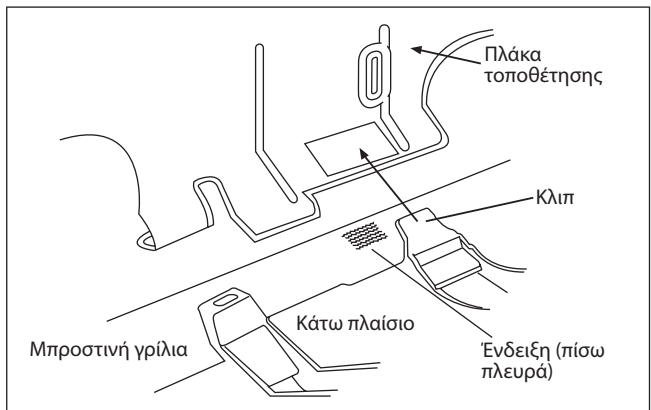
Γαντζώστε την εσωτερική μονάδα στο πάνω τμήμα της πλάκας εγκατάστασης (συνδέστε τους δύο γάντζους στο πίσω μέρος της πάνω όψης της εσωτερικής μονάδας με το άνω άκρο της πλάκας εγκατάστασης). Βεβαιωθείτε ότι οι γάντζοι εγκαθίστανται σωστά πάνω στην πλάκα εγκατάστασης μετακινώντας την αριστερά και δεξιά.

Τρόπος προσάρτησης της εσωτερικής μονάδας

Συνδέστε τους γάντζους του κάτω πλαισίου στην πλάκα τοποθέτησης.

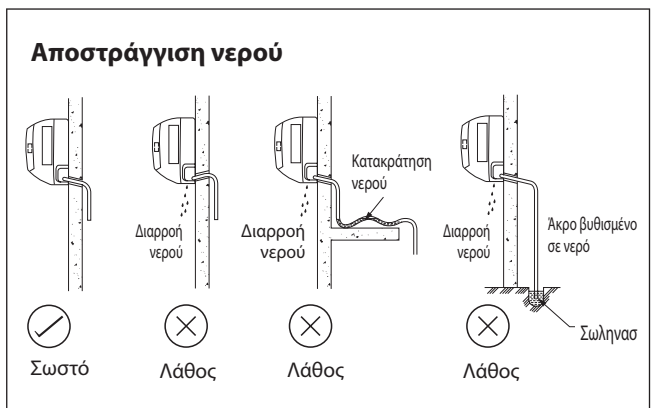
Τρόπος αφαίρεσης της εσωτερικής μονάδας

Σπρώξτε προς τα πάνω την περιοχή με την ένδειξη (στο κάτω τμήμα της μπροστινής γρίλιας) για να απελευθερώσετε τους γάντζους.



Σωλήνωση αποστράγγισης νερού

Ο εσωτερικός σωλήνας αποστράγγισης πρέπει να έχει κατωφερή κλίση για ομαλή αποστράγγιση. Αποφύγετε περιπτώσεις που είναι πιθανό να προκαλέσουν διαρροή νερού.



Σύνδεση σωλήνωσης νερού

Η εσωτερική μονάδα είναι εξοπλισμένη με βιδωτή σύνδεση για την είσοδο και την έξοδο του νερού. Υπάρχει διάταξη εξαερισμού για καθαρισμό αέρα που είναι τοποθετημένη στην κεφαλή της εξόδου νερού.

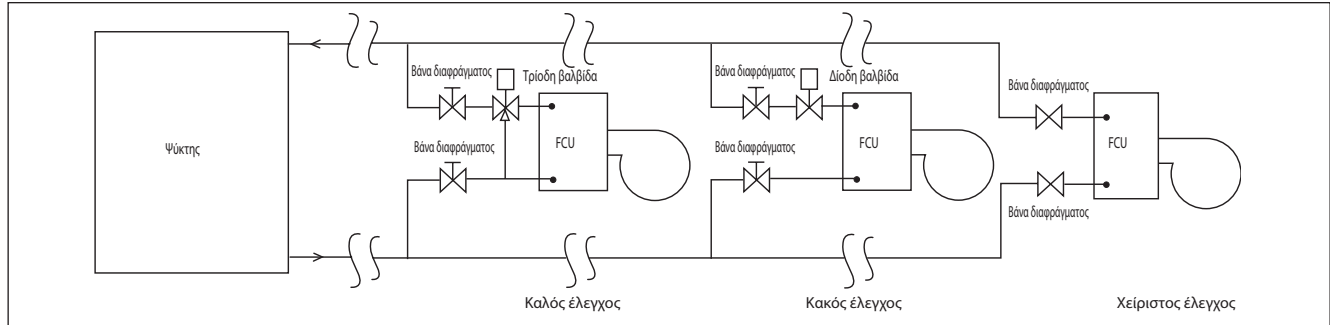
Απαιτείται μια 3-οδη βάνα για την αποφυγή κίνησης προς τα έξω ή την παράκαμψη του κρύου νερού.

Για την τοπική εγκατάσταση συνιστάται μαύρος ατσάλινος σωλήνας, σωλήνας polyurethane, σωλήνας PVC και σωλήνας χαλκού.

Όλοι οι τύποι των σωλήνων και των συνδέσεων πρέπει να έχουν μονωθεί με polyurethane (τύπου ARMAFLEX ή ισοδύναμου) για να αποφευχθεί τυχόν συμπύκνωση.

Μη χρησιμοποιείτε μολυσμένα ή χαλασμένα κομμάτια και ρακόρ για την εγκατάσταση.

Ορισμένα συνδετικά εξαρτήματα απαιτούνται στο σύστημα για να βελτιωθεί η χωρητικότητα του και να διευκολυνθεί το σέρβις, όπως: βάνα διαφράγματος, ισοζυγισμένη βάνα, 2-οδη ή 3-οδη βάνα, φίλτρο, σήτα κ.λπ.



ΣΥΝΔΕΣΗ ΗΛΕΚΤΡΙΚΩΝ ΚΑΛΩΔΙΩΣΕΩΝ

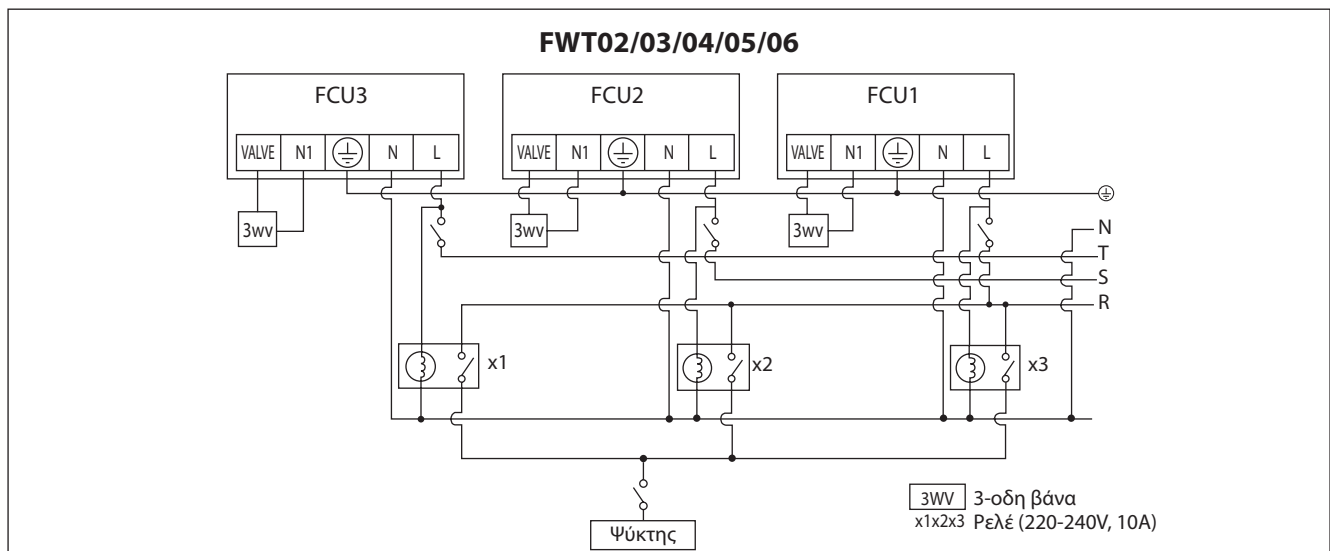
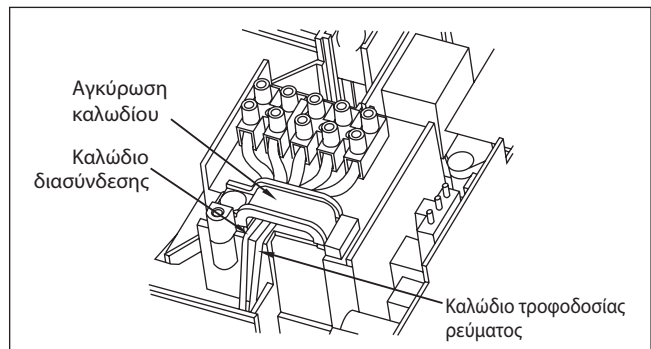
ΣΗΜΑΝΤΙΚΟ : * Αυτές οι τιμές είναι μόνο για πληροφορίες, θα πρέπει να ελεγχτούν και να επιλεγούν για να συμβαδίζουν με τους τοπικούς και/ή εθνικούς κώδικες και κανονισμούς. Υπόκεινται επίσης στο είδος της εγκατάστασης και το μέγεθος των επαγωγών.

** Η κατάλληλη τάση θα πρέπει να ελεγχτεί με την ετικέτα των στοιχείων που υπάρχει στη μονάδα.

Θα πρέπει να υπάρχει αποσύνδεση όλων των πόλων στην πρίζα της παροχής ρεύματος με διαχωρισμό επαφής τουλάχιστον 3mm.

Μοντέλο	FWT02/03/04/05/06
Ευροσ τάση**	220V – 240V/1Ph/50Hz ± ⊕
Μέγεθος καλωδίου τροφοδοσίας* mm ²	1,5
Αριθμός αγωγών	3
Προτεινόμενος χρόνος καθυστέρησης της ασφάλειας A	2

- Όλα τα καλώδια πρέπει να είναι σταθερά συνδεδεμένα.
- Όλα τα καλώδια δεν πρέπει να αγγίζουν τις σωληνώσεις του νερού καθώς και οποιαδήποτε άλλα κινητά μέρη του μοτέρ του ανεμιστήρα.
- Τα καλώδια σύνδεσης προς την εσωτερική μονάδα πρέπει να τοποθετηθούν σφικτά μέσα στις αγκυρώσεις καλωδίων όπως φαίνεται στην εικόνα.
- Το καλώδιο τροφοδοσίας πρέπει να είναι ισοδύναμο με H07RN-F, που είναι η ελάχιστη απαίτηση, και πρέπει να χρησιμοποιείται μέσα σε προστατευτικό σωλήνα.

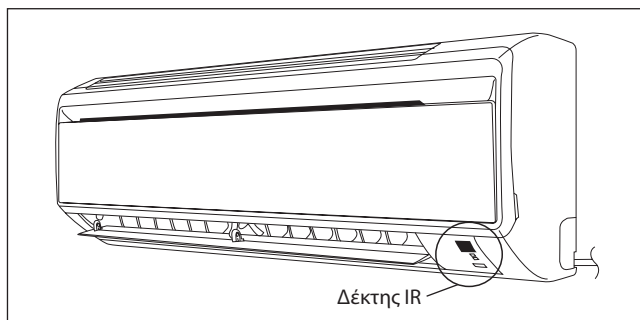


ΕΝΔΕΙΚΤΙΚΕΣ ΛΥΧΝΙΕΣ

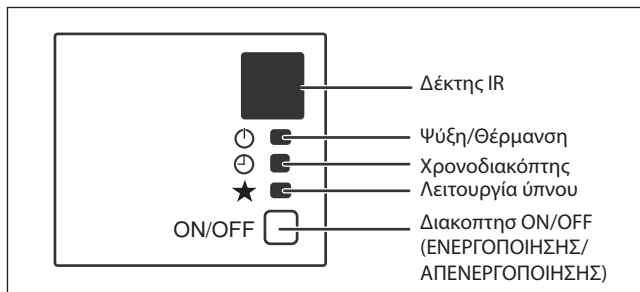
Δέκτης σήματος IR

Όταν έχει μεταδοθεί ένα ενεργό σήμα τηλεχειριστηρίου υπερέυθρων, ο δέκτης του σήματος πάνω στην εσωτερική μονάδα θα κάνει ένα <μπιπ> για επιβεβαίωση της αποδοχής της μετάδοσης του σήματος.

Από ON σε OFF	1 μεγάλο ηχητικό σήμα (μπιπ)
Από OFF σε ON Απενεργοποίηση αντλίας/ Ενεργοποίηση ψύξης	2 σύντομα ηχητικά σήματα (μπιπ)
Άλλα	1 σύντομα ηχητικά σήματα (μπιπ)



Ενδεικτικές λυχνίες LED για μονάδα ψύξης/μονάδα αντλίας θερμότητας



Μονάδα ψύξης/Μονάδα αντλίας θερμότητας

Ο πίνακας περιλαμβάνει τις ενδεικτικές λυχνίες LED για τη μονάδα κλιματιστικού σε κανονική λειτουργία, καθώς και αιτίες σφάλματος.

Οι ενδεικτικές λυχνίες LED βρίσκονται κάτω δεξιά στη μονάδα κλιματιστικού.

Ενδεικτικές λυχνίες LED: Κανονική λειτουργία και αιτίες σφάλματος για την μονάδα ψύξης/αντλία θερμότητας

	 ΨΥΞΗ/ΘΕΡΜΑΝΣΗ (ΠΡΑΣΙΝΟ/ΚΟΚΚΙΝΟ)		Κανονική λειτουργία/Ενδειξη σφάλματος	Ενέργεια	Κωδικός Σφάλματος
			Λειτουργία ψύξης	-	-
			Λειτουργία θέρμανσης	-	-
			Ενεργοποίηση χρονοδιακόπτη	-	-
			Ενεργοποίηση λειτουργίας ύπνου	-	-
			Ενεργοποίηση ανεμιστήρα	-	-
			Ενεργοποίηση λειτουργίας αφύγρανσης	-	-
			Επαφή αισθητήρα αέρα δωματίου Χαλαρή/Βραχυκυκλωμένη	Επικοινωνήστε με τον αντιπρόσωπο	Αναβοσβήνει E1
			Ανοικτός/Βραχυκυκλωμένος αισθητήρας εσωτερικού πηνίου	Επικοινωνήστε με τον αντιπρόσωπο	Αναβοσβήνει E2
			Ανεπαρκής θερμοκρασία σωλήνα νερού	-	Αναβοσβήνει E4
			Βλάβη θερμοκρασίας του σωλήνα νερού	-	Αναβοσβήνει E5
			Σφάλμα υλικού (Βραχυκύκλωμα ακίδας διακόπτη τύπου Tact)	Επικοινωνήστε με τον αντιπρόσωπο	Αναβοσβήνει E8
			Απουσία τροφοδοσίας από εσωτερικό ανεμιστήρα	Επικοινωνήστε με τον αντιπρόσωπο	Αναβοσβήνει E9

ON

ON ή OFF

Αναβοσβήνει

Λειτουργία αφύγρανσης

- Όταν η υγρασία του αέρα είναι υψηλή, η μονάδα μπορεί να λειτουργήσει στη λειτουργία αφύγρανσης. Πατήστε το κουμπί <MODE> και επιλέξτε <DRY>.
- Αν η θερμοκρασία δωματίου είναι 2°C πάνω από τη ρυθμισμένη θερμοκρασία, το κλιματιστικό θα λειτουργήσει στη λειτουργία ψύξης μέχρι να φτάσει εντός του εύρους της διαφοράς των 2°C σε σύγκριση με τη ρυθμισμένη θερμοκρασία και ύστερα θα μεταβεί στη λειτουργία αφύγρανσης.
- Αν η θερμοκρασία δωματίου είναι εντός του εύρους της διαφοράς των 2°C σε σύγκριση με τη ρυθμισμένη θερμοκρασία, θα λειτουργήσει άμεσα στη λειτουργία αφύγρανσης.
- Η μονάδα θα λειτουργήσει σε ταχύτητα LOW (χαμηλή) στη λειτουργία αφύγρανσης.

Λειτουργία θέρμανσης (μόνο για τη μονάδα της αντλίας θερμότητας)

- Όταν η μονάδα βρίσκεται σε σημείο με ψυχρό ρεύμα, ο εσωτερικός ανεμιστήρας θα ξεκινήσει να λειτουργεί μόνο αφού το πηνίο φτάσει στην επιθυμητή θερμοκρασία.
- Στη ρύθμιση λειτουργίας ανεμιστήρα, ο εσωτερικός ανεμιστήρας θα λειτουργεί συνεχώς εφόσον η μονάδα βρίσκεται στο ON (ενεργοποίηση).
- Όταν επιτευχθεί η ρυθμισμένη θερμοκρασία, ο εσωτερικός ανεμιστήρας θα λειτουργήσει μέχρι το πηνίο να μην μπορεί να παρέχει πια επιπλέον θερμότητα.

Ρυθμός ροής του αέρα

- Για πιο αποτελεσματική κυκλοφορία του αέρα, μπορείτε να ρυθμίσετε χειροκίνητα τη γρίλια εκροής αέρα προς τα αριστερά ή τα δεξιά.
- Κατά τη λειτουργία ψύξης και κατά τη λειτουργία αφύγρανσης, μην κατευθύνετε την περσίδα εκροής αέρα προς τα κάτω για πολύ μεγάλο διάστημα. Αν η λειτουργία συνεχιστεί με αυτόν τον τρόπο, ενδέχεται να προκύψει συμπύκνωση στην περσίδα και συνεπώς στάξιμο.

Ταχύτητα ανεμιστήρα και ονομαστική ικανότητα ψύξης

- Η ονομαστική ικανότητα ψύξης παρέχεται με ταχύτητα ανεμιστήρα HIGH (υψηλή).
- Η ικανότητα ψύξης είναι χαμηλότερη όταν η μονάδα λειτουργεί με ταχύτητα ανεμιστήρα MEDIUM (μεσαία) και LOW (χαμηλή).

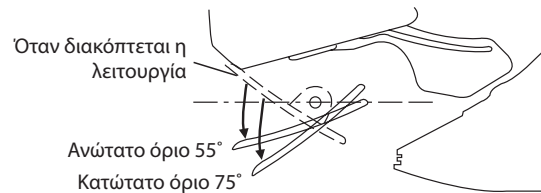
Σημειώσεις για τις γωνίες πτερυγίων και περσίδων

- Όταν είναι επιλεγμένο το "κουμπί SWING", το εύρος παλινδρόμησης των πτερυγίων εξαρτάται από τον τρόπο λειτουργίας. (Δείτε την εικόνα.)

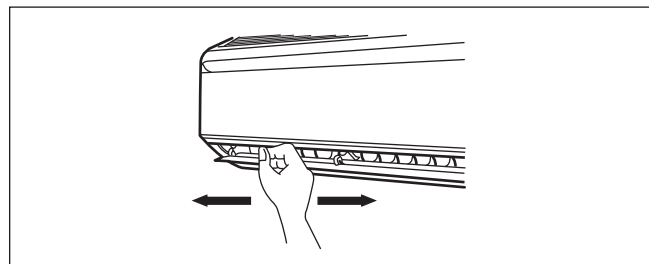
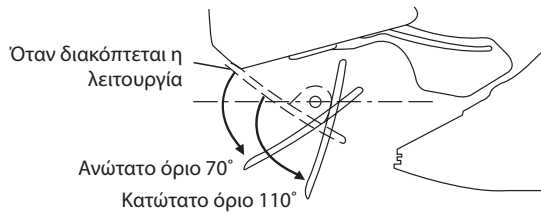
ΠΡΟΣΟΧΗ

- Χρησιμοποιείτε πάντα τηλεχειριστήριο για να ρυθμίσετε τη γωνία των πτερυγίων. Αν προσπαθήσετε να τα μετακινήσετε πιέζοντας με το χέρι ενώ κινούνται, ενδέχεται να προκληθεί βλάβη στον μηχανισμό.
- Προσέχετε όταν ρυθμίζετε τις περσίδες. Μέσα στην έξοδο αέρα, ο ανεμιστήρας περιστρέφεται με υψηλή ταχύτητα.

Σε λειτουργία COOL, DRY και FAN



Σε λειτουργία HEAT



ΦΑΣΜΑ ΛΕΙΤΟΥΡΓΙΑΣ

Όρια λειτουργίας:

Θερμικός φορέας: Νερό

Θερμοκρασία νερού: 4-10°C Ψύξη, 35-50°C Θέρμανση

Μέγιστη πίεση νερού: 16 bar

Θερμοκρασία αέρα: (όπως αναφέρεται κατωτέρω)

Λειτουργία ψύξης

Θερμοκρασία	Ts °C/°F	Th °C/°F
Ελάχιστη εσωτερική θερμοκρασία	19,0 / 66,2	14,0 / 57,2
Μέγιστη εσωτερική θερμοκρασία	32,0 / 89,6	23,0 / 73,4

Λειτουργία θέρμανσης

Θερμοκρασία	Ts °C/°F	Th °C/°F
Ελάχιστη εσωτερική θερμοκρασία	15,0 / 59,0	-
Μέγιστη εσωτερική θερμοκρασία	27,0 / 80,6	-

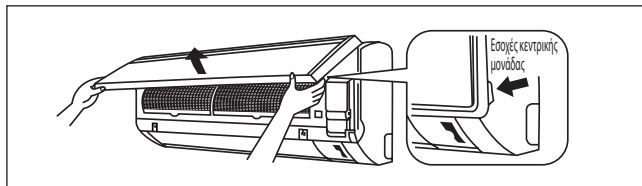
Ts: Θερμοκρασία ξηρού βολβού.

Th: Θερμοκρασία υγρού βολβού.

ΦΙΛΤΡΟ ΑΕΡΑ

1. Ανοίξτε το μπροστινό πάνελ.

- Κρατήστε το πάνελ από τις εσοχές της κεντρικής μονάδας (2 εσοχές στα δεξιά και τα αριστερά) και ανασηκώστε το μέχρι το σημείο που σταματά.



2. Τραβήξτε προς τα έξω τα φίλτρα αέρα.

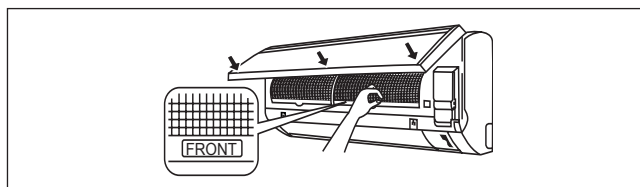
- Σπρώξτε λίγο προς τα πάνω την εσοχή στο κέντρο κάθε φίλτρου και ύστερα τραβήξτε προς τα κάτω.

3. Καθαρίστε ή αντικαταστήστε κάθε φίλτρο.

- Όταν τινάζετε για να απομακρυνθεί το νερό, μην στύβετε το φίλτρο.

4. Τοποθετήστε τα φίλτρα αέρα όπως ήταν και κλείστε το μπροστινό πάνελ.

- Εισαγάγετε τους γάντζους των φίλτρων στις υποδοχές του μπροστινού πάνελ. Κλείστε αργά το μπροστινό πάνελ και σπρώξτε το στα 3 σημεία. (1 σε κάθε πλευρά και 1 στη μέση.)
- Τα φίλτρα αέρα έχουν συμμετρική μορφή στην οριζόντια κατεύθυνση.



ΣΕΡΒΙΣ ΚΑΙ ΣΥΝΤΗΡΗΣΗ

Εξαρτήματα σέρβις	Διαδικασίες συντήρησης
Εσωτερικό φίλτρο αέρα	<ol style="list-style-type: none">Αφαιρέστε τη σκόνη που είναι προσκολλημένη στο φίλτρο με μια ηλεκτρική σκούπα ή χλιαρό νερό (κάτω από 40°C) με ουδέτερο απορρυπαντικό.Ξεπλύντε καλά το φίλτρο και στεγνώστε το πριν το επανατοποθετήσετε στη μονάδα.Μην χρησιμοποιείτε βενζίνη, πτητικές ουσίες ή χημικά για τον καθαρισμό του φίλτρου.
Εσωτερική μονάδα	<ol style="list-style-type: none">Καθαρίστε τους ρύπους και τη σκόνη πάνω στη γρίλια ή στο πάνελ με ένα μαλακό ύφασμα βρεγμένο με χλιαρό νερό (κάτω των 40°C) και ένα ουδέτερο διάλυμα απορρυπαντικού.Μη χρησιμοποιείτε βενζίνη, πτητικές ουσίες ή χημικά προϊόντα για να καθαρίσετε την εσωτερική μονάδα.

1. Ανοίξτε το μπροστινό πάνελ.

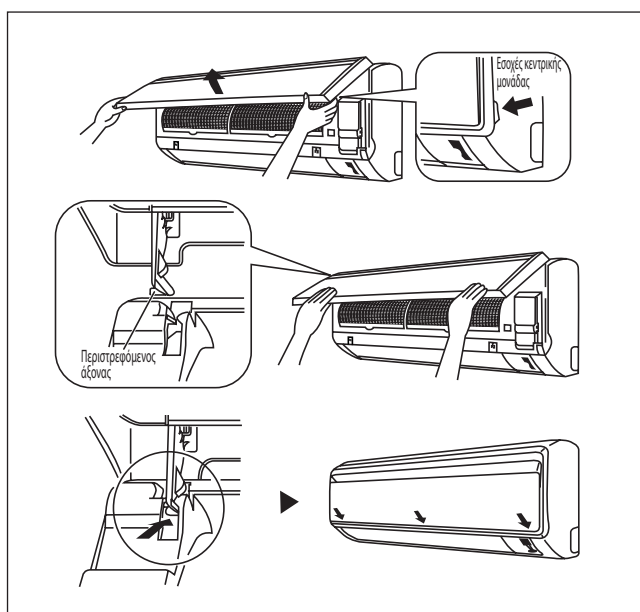
- Κρατήστε το πάνελ από τις εσοχές της κεντρικής μονάδας (2 εσοχές στα δεξιά και τα αριστερά) και ανασηκώστε το μέχρι το σημείο που σταματά.

2. Αφαιρέστε το μπροστινό πάνελ.

- Ενώ ανασηκώνετε περισσότερο το μπροστινό πάνελ, σύρετέ το προς τα δεξιά και τραβήξτε το προς την μπροστινή πλευρά. Αποσυνδέεται ο αριστερός περιστρεφόμενος άξονας. Σύρετε τον δεξιό περιστρεφόμενο άξονα προς τα αριστερά και τραβήξτε τον προς την μπροστινή πλευρά για να τον αφαιρέσετε.

3. Συνδέστε το μπροστινό πάνελ.

- Ευθυγραμμίστε τον δεξιό και τον αριστερό περιστρεφόμενο άξονα του μπροστινού πάνελ με τις αυλακώσεις και σπρώξτε τους προς τα μέσα μέχρι το τέρμα.
- Κλείστε προσεκτικά το μπροστινό πάνελ. (Σπρώξτε τα δύο άκρα και το κέντρο του μπροστινού πάνελ.)



⚠ ΠΡΟΣΟΧΗ

- Μην αγγίζετε τα μεταλλικά μέρη της εσωτερικής μονάδας. Ενδέχεται να προκληθεί τραυματισμός.
- Όταν αφαιρείτε ή συνδέετε το μπροστινό πάνελ, να στηρίζετε καλά το πάνελ με τα χέρια σας για να μην πέσει.
- Για τον καθαρισμό, μην χρησιμοποιείτε ζεστό νερό πάνω από 40°C, βενζίνη, διαλυτικά ή άλλα πτητικά λάδια, γυαλιστικά, βούρτσες για τρίψιμο ή άλλα εργαλεία χειρός.
- Μετά από τον καθαρισμό, βεβαιωθείτε ότι το μπροστινό πάνελ έχει τοποθετηθεί καλά.

Όταν η μονάδα δεν πρόκειται να χρησιμοποιηθεί για μεγάλο χρονικό διάστημα

<p>Λειτουργήστε τη μονάδα για 2 ώρες με την παρακάτω ρύθμιση.</p> <p>Τρόπος λειτουργίας : Ψύξη Θερμοκρασία : 30°C/86°F</p>		<p>Αφαιρέστε το φιν τροφοδοσίας. Αν χρησιμοποιείτε ανεξάρτητο ηλεκτρικό κύκλωμα για τη μονάδα σας, κλείστε το κύκλωμα. Αφαιρέστε τις μπαταρίες από το τηλεχειριστήριο.</p>	
--	---	--	---

ΕΠΙΛΥΣΗ ΠΡΟΒΛΗΜΑΤΩΝ

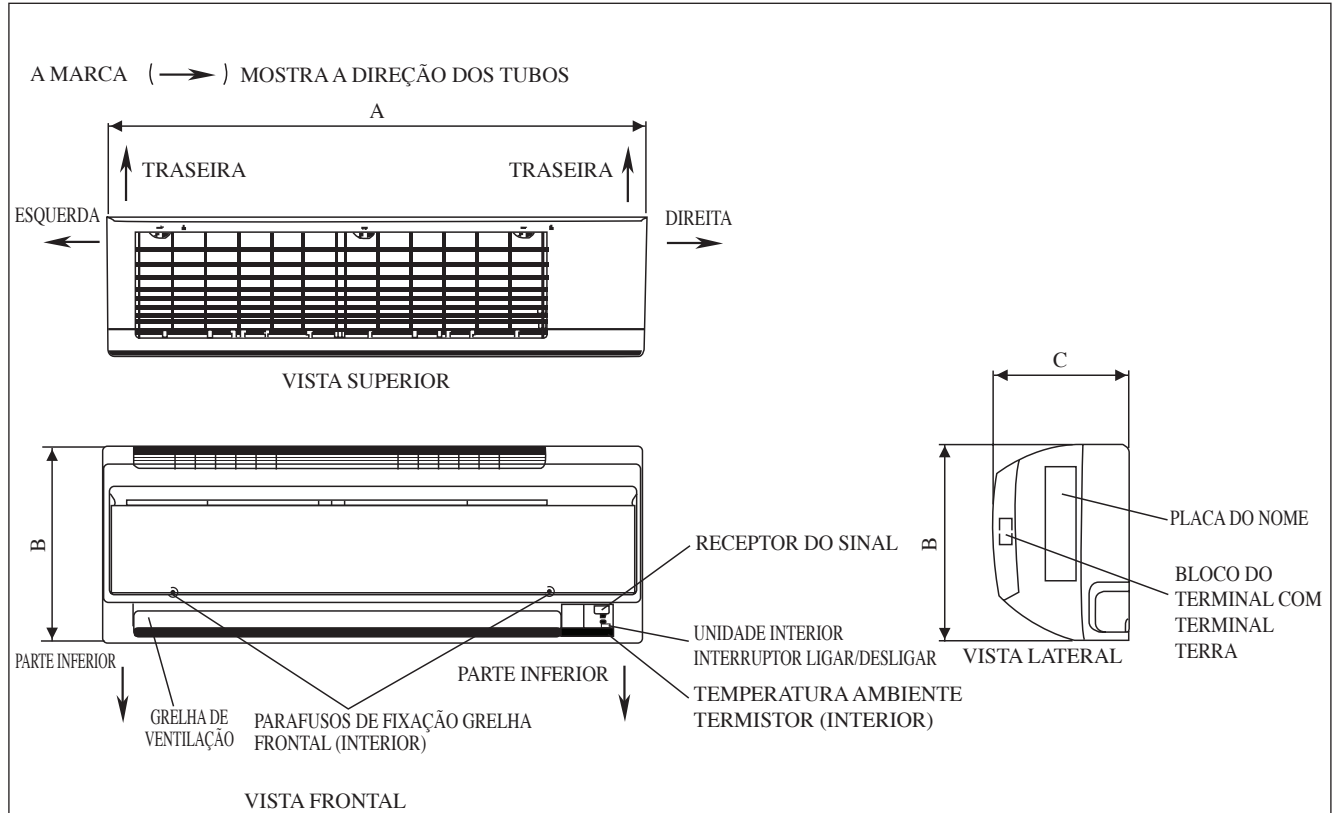
Για ερωτήσεις σχετικά με ανταλλακτικά, παρακαλούμε επικοινωνήστε με τον εξουσιοδοτημένο αντιπρόσωπο. Όταν παρατηρηθεί οποιαδήποτε δυσλειτουργία στη μονάδα του κλιματιστικού, διακόψτε αμέσως την τροφοδοσία στη μονάδα. Ελέγξτε τις επόμενες προϋποθέσεις και αιτίες για βλάβες, ακολουθώντας μερικές απλές συμβουλές για την αποκατάστασή τους.

Σφάλμα	Αιτίες/Ενέργεια
1. Η μονάδα του κλιματιστικού δεν λειτουργεί.	<ul style="list-style-type: none"> - Διακοπή ρεύματος ή χρειάζεται αντικατάσταση της ασφάλειας. - Το φιν τροφοδοσίας έχει αποσυνδεθεί. - Μπορεί ο χρονοδιακόπτης σας για τη καθυστέρηση να έχει ρυθμιστεί εσφαλμένα. - Αν παρά όλες αυτές τις εξακριβώσεις η βλάβη εξακολουθεί να παραμένει, επικοινωνήστε με τον τεχνικό εγκατάστασης της κλιματιστικής μονάδας.
2. Η ροή του αέρα είναι πολύ χαμηλή.	<ul style="list-style-type: none"> - Το φίλτρο αέρα είναι βρώμικο. - Οι πόρτες ή τα παράθυρα είναι ανοιχτά. - Η αναρρόφηση και η εκροή αέρα είναι φραγμένες. - Η ρυθμισμένη θερμοκρασία δεν είναι αρκετά υψηλή.
3. Ο εξερχόμενος αέρας έχει μια άσχημη μυρωδιά.	<ul style="list-style-type: none"> - Οι μυρωδιές μπορεί να προέρχονται από τσιγάρα, σωματίδια καπνού, αρώματα, κ.λπ., που μπορεί να έχουν προσκολληθεί στο πηνίο.
4. Παρουσιάζεται συμπύκνωση στη μπροστινή γρίλια αέρα της εσωτερικής μονάδας.	<ul style="list-style-type: none"> - Αυτό προκαλείται από την υγρασία του αέρα μετά από μακρά περίοδο λειτουργίας. - Η ρυθμισμένη θερμοκρασία είναι πολύ χαμηλή, αυξήστε τη ρύθμιση της θερμοκρασίας και λειτουργήστε τη μονάδα σε υψηλή ταχύτητα ανεμιστήρα.
5. Το νερό τρέχει έξω από τη μονάδα κλιματιστικού.	<ul style="list-style-type: none"> - Απενεργοποιήστε τη μονάδα και καλέστε τον αντιπρόσωπο.

Αν η βλάβη εξακολουθεί να παραμένει, επικοινωνήστε με τον τοπικό σας αντιπρόσωπο / τον τεχνικό του σέρβις.

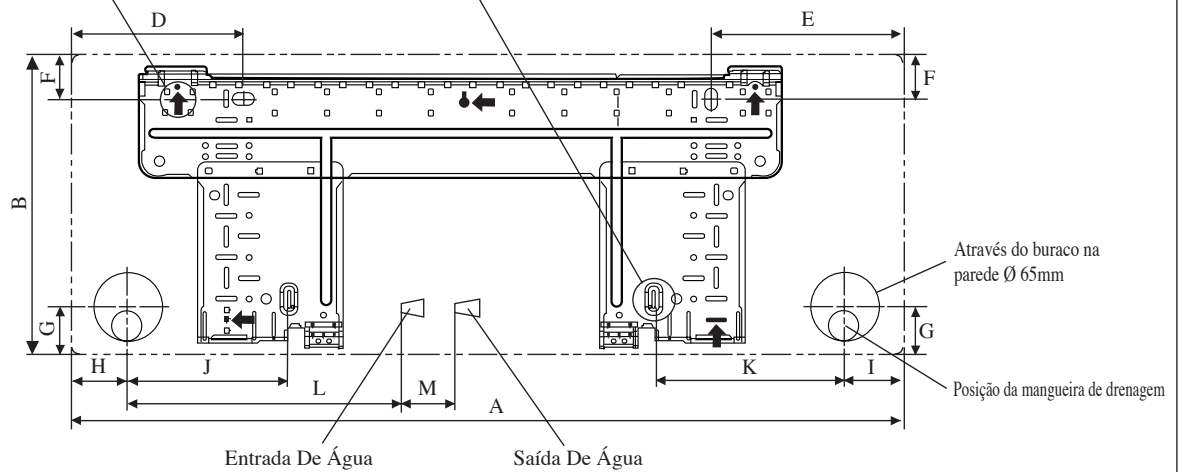
ESBOÇO E DIMENSÕES

Unidade interior



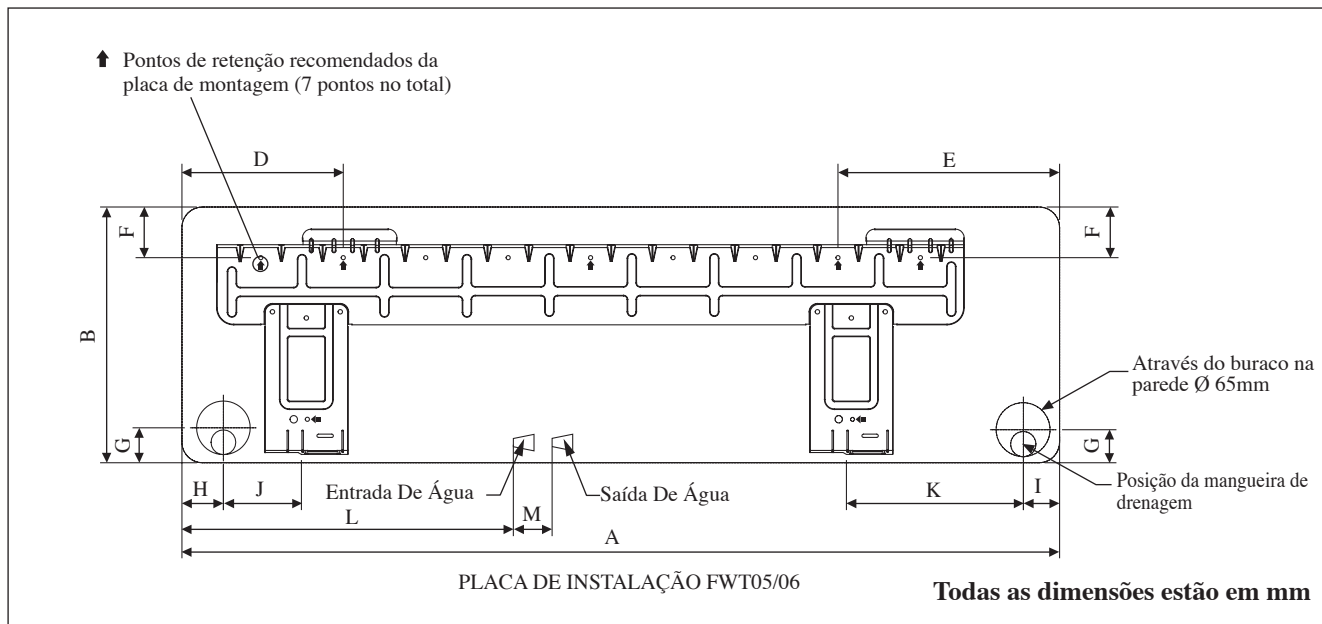
↑ Pontos de retenção recomendados da placa de montagem (5 pontos no total)

Use a fita métrica como mostrado. Posicione a extremidade da fita métrica em ▶



PLACA DE INSTALAÇÃO FWT02/03/04

Todas as dimensões estão em mm



Modelo	A	B	C	D	E	F	G	H	I	J	K	L	M
FWT02/03/04	800	288	206	166	184	42	46	55	56	154	182	267	55
FWT05/06	1065	310	224	190	173	61	40	45	48	91	219	593	60

MANUAL DE INSTALAÇÃO

Este manual fornece os procedimentos de instalação para assegurar um bom padrão de funcionamento e seguro para a unidade de ar condicionado.

Pode ser necessário um ajuste especial para adaptação aos requisitos locais.

Antes de utilizar o seu ar condicionado, por favor leia este manual de instruções cuidadosamente e guarde-o para futura referência. Este aparelho é destinado ao uso por perito ou usuários treinados em lojas, nas indústrias leves e em fazendas agrícolas, ou para uso comercial por leigos.

Este aparelho não se destina a utilização por pessoas (incluindo crianças) com limitações das capacidades físicas, sensoriais ou mentais, ou com falta de experiência ou de conhecimentos, salvo se sob supervisão ou formação adequadas relativamente à utilização do aparelho, facultadas por alguém responsável pela segurança dessas pessoas.

As crianças devem ser supervisionadas, para que não haja possibilidade de brincarem com o aparelho.

PRECAUÇÕES DE SEGURANÇA

AVISO

- A instalação e manutenção deve ser executada por pessoas qualificadas que estejam familiarizadas com o código local e regulamento, e tenham experiência com este tipo de aparelhos.
- Todas as ligações devem ser feitas de acordo com o regulamento nacional para ligações eléctricas.
- Assegure-se que a voltagem nominal da unidade corresponde à que consta no nome da placa iniciando o trabalho eléctrico de acordo com o diagrama de ligação eléctrica.
- A unidade deve ter LIGAÇÃO TERRA para evitar possíveis perigos devidos a falha de isolamento.
- Todas as ligações eléctricas não devem tocar na tubagem de refrigeração, nem em qualquer das partes em movimento dos motores da ventoinha.
- Confirme que a unidade foi DESLIGADA antes de ser instalada ou fazer a manutenção.
- Desligue da principal fonte de energia antes de fazer manutenção à unidade de ar condicionado.
- NÃO puxe o cabo de energia quando a energia estiver LIGADA. Isto pode provocar graves choques eléctricos que podem resultar em perigosos incêndios.
- Mantenha as unidades interior e exterior, cabo de energia e ligações de transmissão, afastadas pelo menos 1m de TVs e rádios, para evitar imagens distorcidas e estática. {Dependendo do tipo e fonte das ondas eléctricas, a estática pode ser escutada mesmo a mais de 1m de distância}.

CUIDADO

Por favor tome nota dos seguintes pontos importantes ao instalar.

- **Certifique-se que a tubagem de drenagem está adequadamente ligada.**
 - Se a tubagem de drenagem não estiver ligada correctamente, pode provocar fuga de água que irá molhar a mobília.
- **Assegure-se que o painel da unidade está fechado após a manutenção ou instalação.**
 - Painéis inseguros causarão ruído no funcionamento da unidade.
- **Cantos afiados e as superfícies da bobina são locais potenciais que podem provocar o perigo de lesões.**
Evite entrar em contacto com estes locais.
- **Antes de desligar a fonte de energia, defina o interruptor ON/OFF do controlo remoto para a posição "OFF" para evitar o disparo perturbador da unidade.** Se isto não for feito, as ventoinhas da unidade poderão iniciar automaticamente quando a energia for reiniciada, colocando em perigo o pessoal de serviço ou o utilizador.
- **Não instale a unidade na porta ou perto da mesma.**
- **Não coloque a funcionar nenhum aparelho de calor demasiado perto da unidade de Ar Condicionado nem a coloque numa divisão onde existam óleos minerais, fumos de óleo ou vapores de óleo, tal poderá levar a que as partes de plástico se derretam ou se deformem resultado do calor excessivo ou de reacção química.**
- **Quando a unidade for utilizada numa cozinha, mantenha a farinha afastada para que não entre para o dispositivo de sucção.**
- **Esta unidade não é apropriada para utilização em fábricas onde exista vapor de óleo ou pó de ferro ou onde se verifique grandes variações de voltagem.**
- **Não instale a unidade em áreas tais como fontes termais ou refinarias de óleo onde possa existir gás sulfídrico.**
- **Certifique-se de que a cor dos fios da unidade exterior e as marcas dos terminais correspondem às da unidade interior, respectivamente.**
- **IMPORTANTE : NÃO INSTALE OU USE A UNIDADE DE AR CONDICIONADO NUMA LAVANDARIA.**
- **Não utilize fios juntos e torcidos para a entrada da fonte de energia.**
- **O equipamento não se destina a ser utilizado numa atmosfera potencialmente explosiva.**

AVISO

Requisitos de eliminação

O seu produto de ar condicionado encontra-se assinalado com este símbolo. Isto significa que os produtos eléctricos e electrónicos não serão misturados com resíduos domésticos comuns.

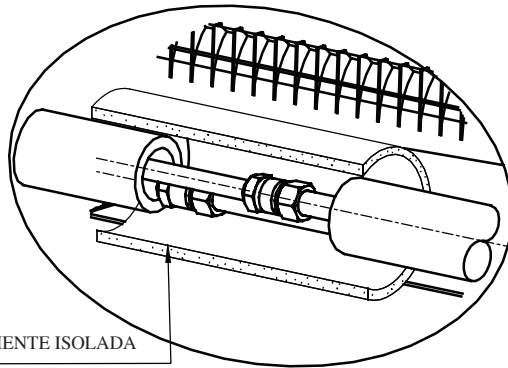
Não tente desmontar o sistema sozinho. A tarefa de desmontar o sistema de ar condicionado, tratamento do refrigerante, do óleo e das demais peças deve ser efectuado por um técnico de instalação devidamente qualificado de acordo com a legislação local e nacional relevante.

As unidades de ar condicionado devem ser tratadas numa instalação de tratamento especializada para reutilização, reciclagem e recuperação. Ao assegurar que este produto é eliminado correctamente, ajudará a prevenir quaisquer potenciais consequências negativas para o ambiente e a saúde humana. Contacte o técnico de instalação ou as autoridades locais para obter mais informações.

Retire as pilhas do controlo remoto e elimine-as separadamente de acordo com a legislação local e nacional relevante.



DIAGRAMA DE INSTALAÇÃO

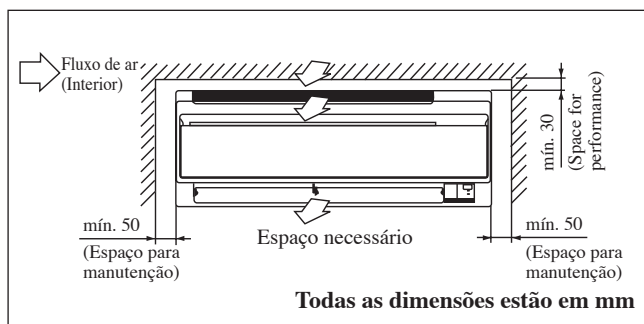


FITA DE CORTIÇA COMPLETAMENTE ISOLADA

ISOLAMENTO ATRAVÉS DA TUBAGEM DE ÁGUA ARREFECIDA

INSTALAÇÃO DA UNIDADE INTERIOR

A unidade interior deve ser instalada de forma a evitar um curto circuito do ar frio descarregado com o ar quente de retorno. Por favor siga a distância de instalação como mostra a figura. Não coloque a unidade interior onde possa ter luz solar direta. Esta localização deve também ser adequada para a tubagem ou drenagem e estar afastada de portas ou janelas.

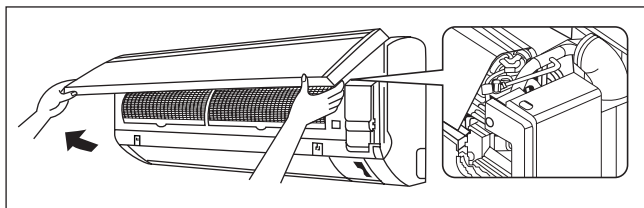


⚠ CUIDADO

Não instale a unidade a uma altitude acima de 2000m.

Purga de ar

Para evitar danos na bomba, a bobina da ventoinha não deve ser energizada até a bobina e todas as linhas de água tiverem sido purgadas de ar.



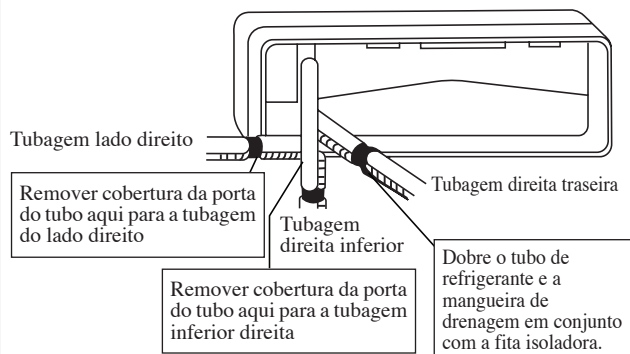
A ventilação de ar localizada dentro da caixa. Remover a caixa e ligar a mangueira à ventilação de ar enquanto faz a purga.

⚠ CUIDADO

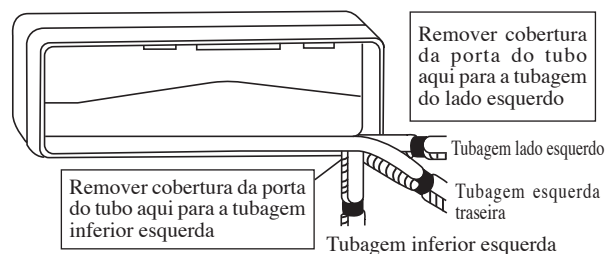
Assegure-se que não há gotas de água a caírem para a caixa de controlo durante o processo de purga.

A tubagem de água pode ser encaminhada para a unidade de várias maneiras (esquerda ou direita da traseira da unidade), utilizando os orifícios de corte na caixa da unidade (ver figura). Dobre os tubos com cuidado para a posição necessária para alinhá-los com os orifícios. Para a lateral e a parte inferior, segure a parte inferior da tubagem e posicione-a na direção necessária (ver figura). A mangueira de drenagem de condensação pode ser colada aos tubos com fita.

Tubagem lado direito, direita traseira ou inferior direita



Tubagem lado esquerdo, esquerdo traseira ou inferior esquerdo

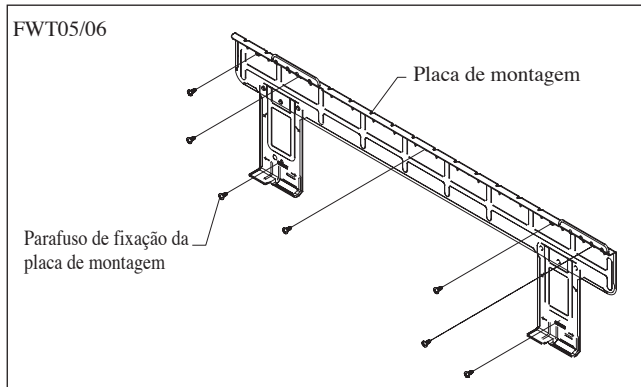
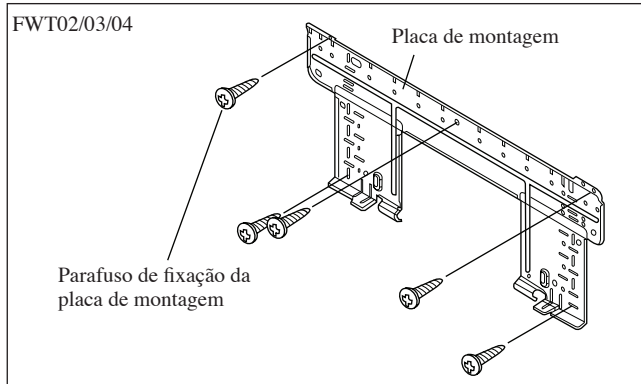


Montagem da placa de instalação

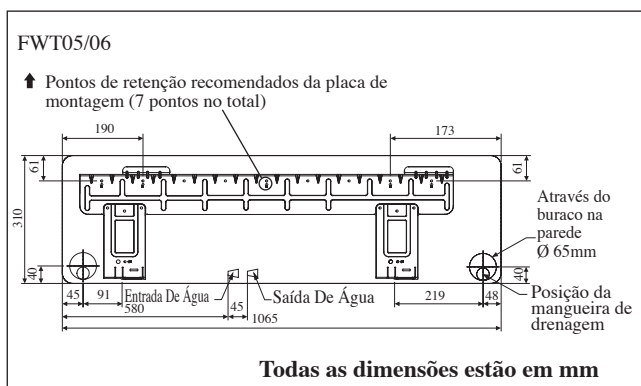
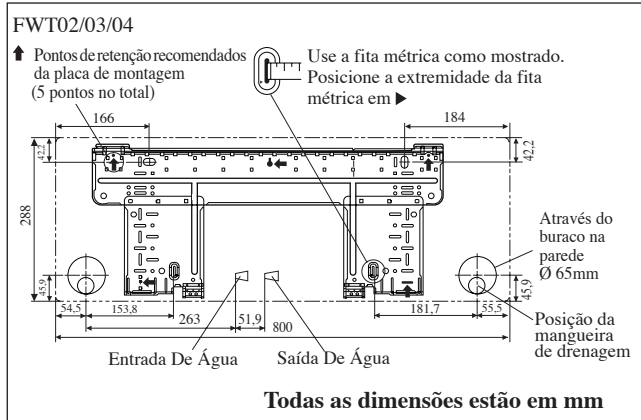
Assegure-se que a parede é suficientemente forte para aguentar o peso da unidade. De outra forma, é necessário reforçar a parede com placas, vigas ou pilares.

Use o nível para a montagem horizontal, e fixe com 5 parafusos adequados para FWT02/03/04 e 7 parafusos adequados para FWT05/06.

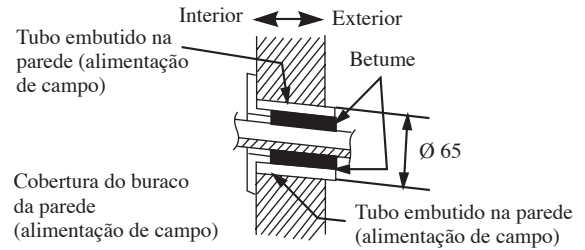
No caso da tubagem traseira sair, faça um furo 65mm de diâmetro com uma broca, ligeiramente abaixo na parede exterior (ver figura).



Pontos de retenção da placa de montagem recomendados e dimensões



Buraco com broca



Monte a unidade na placa de instalação

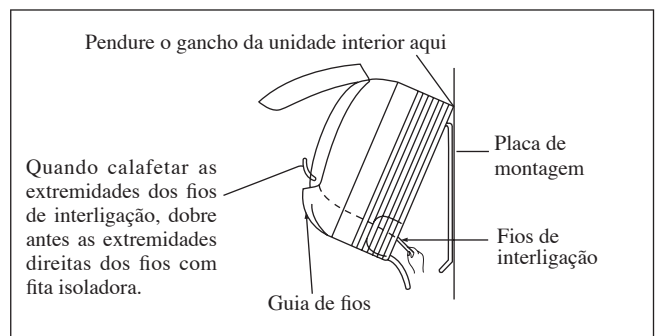
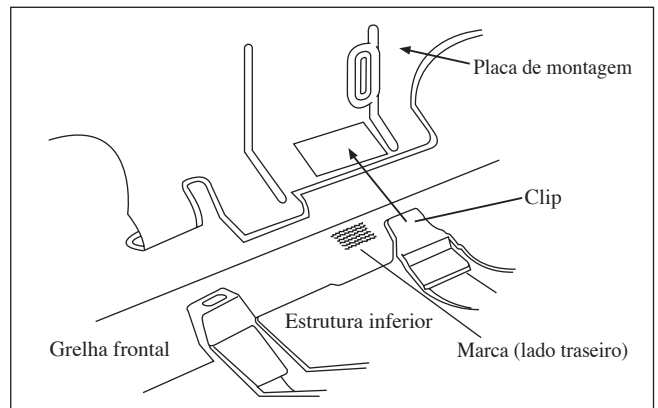
Engate a unidade interior à porção superior da placa de instalação (encaixe os dois ganchos na parte superior traseira da unidade interior com a extremidade superior da placa de instalação). Assegure-se que os ganchos estão colocados corretamente na placa de instalação movendo para a esquerda e direita.

Como anexar a unidade interior

Engate as garras da estrutura inferior à placa de montagem.

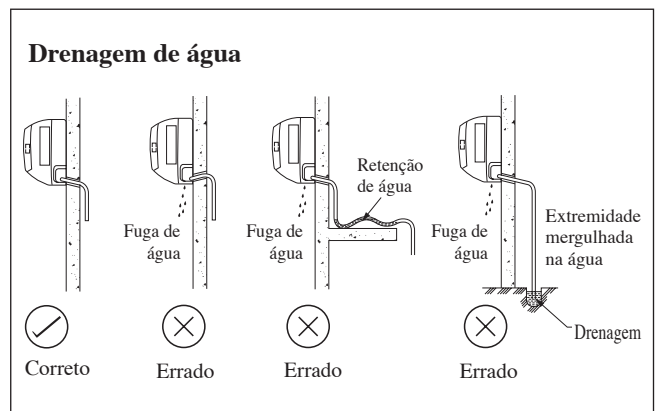
Como remover a unidade interior

Levantar a área marcada (na parte inferior da grelha frontal) para libertar as garras.



Tubagem de drenagem de água

O tubo de drenagem interior deve ter uma inclinação descendente para uma drenagem suave. Evite situações prováveis de causar fugas de água.



Ligação da tubagem de água

A unidade interior encontra-se equipada com uma saída de água e ligação de entrada roscada. Há uma ventilação de ar para a purga de ar que está ajustada à cabeça de saída de água.

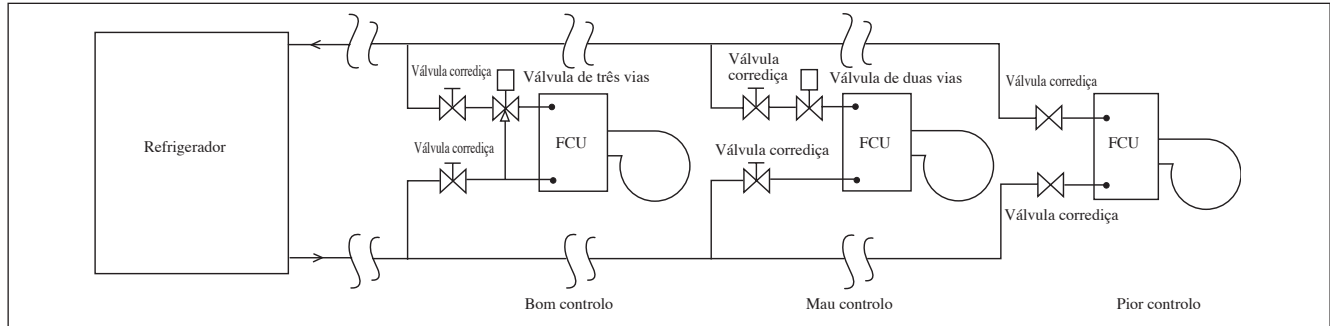
É necessária uma válvula de três vias para alternar os ciclos ou contornar a água arrefecida.

São recomendados tubos de aço negro, tubos de poliuretano, tubos em PVC e tubos de cobre na instalação de campo.

Todos os tipos de tubagem e de ligação devem ser isolados com poliuretano (de tipo ARMAFLEX ou equivalente) para evitar a formação de condensação.

Não utilizar tubos e encaixes contaminados ou danificados na instalação.

O sistema necessita de alguns componentes para o encaixe principal para melhorar a capacidade e facilidade do serviço, como uma válvula de correção, válvula de equilíbrio, válvula de 2 ou 3 vias, filtro, crivo, etc.



LIGAÇÃO DA CABLAGEM ELÉCTRICA

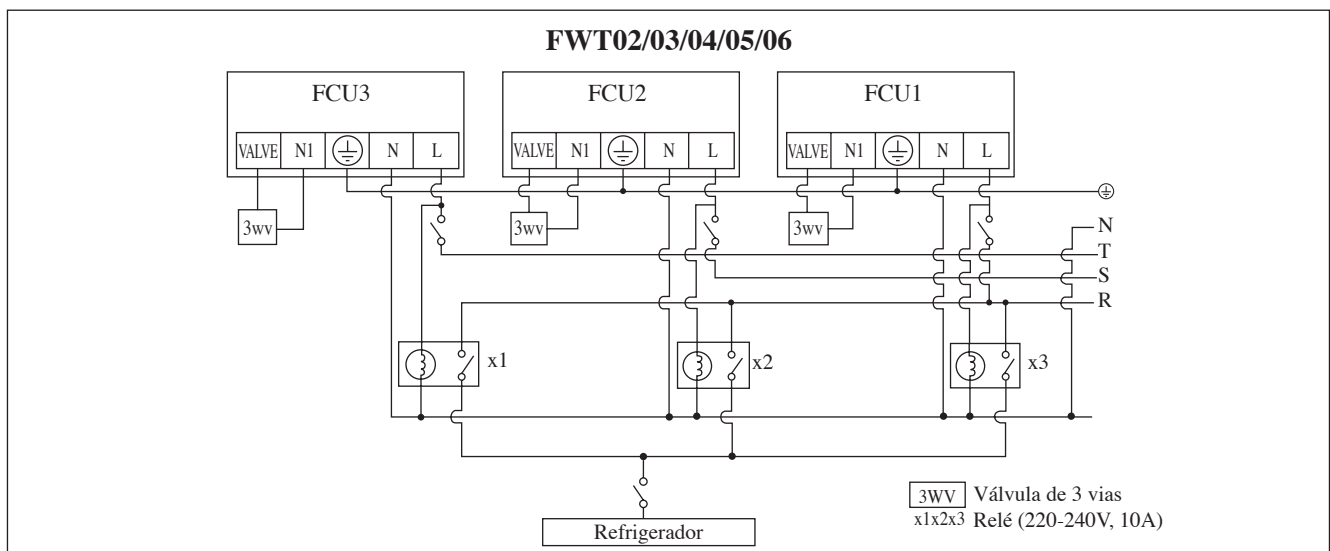
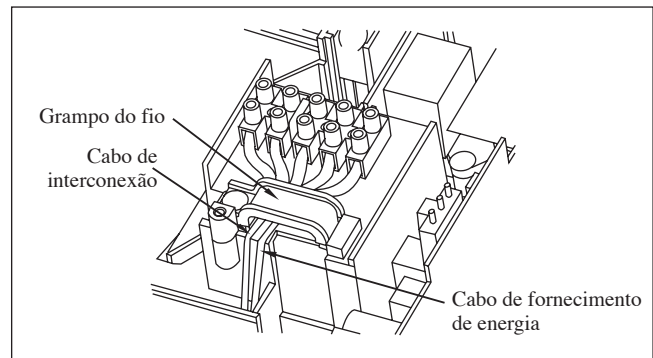
IMPORTANTE : * Estes valores são meramente informativos, deverão ser verificados e seleccionados de acordo com os códigos locais e/ou nacionais e com os regulamentos. Estão também sujeitos ao tipo de instalação e ao tamanho dos condutores.

** A voltagem apropriada deverá ser verificada de acordo com a etiqueta da unidade.

Deverá existir um disjuntor geral no fornecimento principal com um afastamento de pelo menos 3mm.

Modelo	FWT02/03/04/05/06	
Alcance Da Voltagem**	220V – 240V/1Ph/50Hz + ⊕	
Tamanho do cabo de fornecimento*	mm ²	1,5
Número de condutores		3
Fusível de baixa tensão recomendado	A	2

- Todos os fios devem estar firmemente ligados.
- Todos os fios não devem tocar na tubagem de água, nem em qualquer das partes em movimento dos motores da ventoinha.
- Os fios de ligação à unidade interior devem ser engatados nos grampos do fio como mostra a figura.
- O cabo da fonte de energia deve ser equivalente a H07RN-F que é o requisito mínimo, e para ser utilizado no tubo protector.

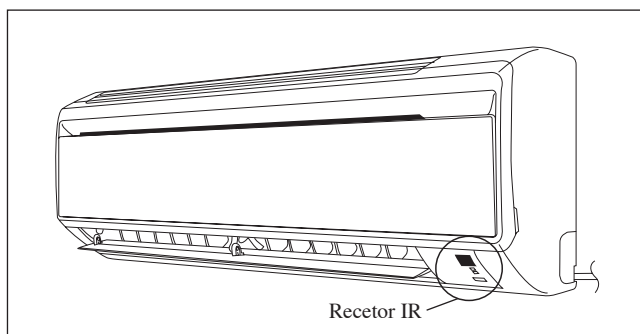


LUZES INDICADORAS

Recetor de sinal IR

Quando foi transmitido um sinal de funcionamento de controlo remoto de infravermelhos, o recetor do sinal na unidade interior irá responder como abaixo para confirmar a aceitação do sinal de transmissão.

LIGAR para DESLIGAR	1 sinal sonoro longo.
DESLIGAR para LIGAR Bombagem/força fria ligada	2 sinais sonoros curtos
Outros	1 sinais sonoros curtos

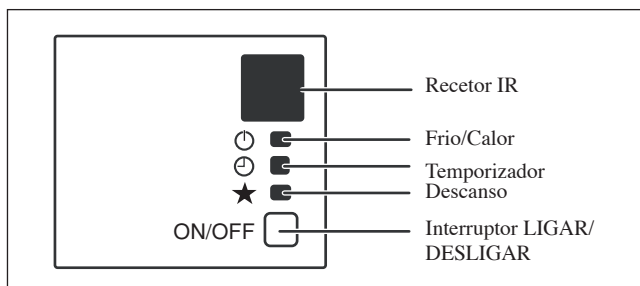


Luzes LED do indicador para Unidade de Arrefecimento/ Unidade de Bomba de calor

Unidade de arrefecimento/unidade de bomba de calor

A tabela mostra as luzes do indicador LED para a unidade de ar condicionado em funcionamento normal e condições de avaria.

As luzes do indicador LED estão localizadas na parte inferior direita da unidade de ar condicionado.



Luzes do indicador LED: Funcionamento normal e condições de falha para arrefecimento/Unidade de bomba de calor

	 FRIO/CALOR (VERDE/ VERMELHO)		Funcionamento normal/Indicação de falha	Acção	Código de erro
			Modo frio	-	-
			Modo calor	-	-
			Temporizador ligado	-	-
			Modo descanso	-	-
			Modo ventoinha ligado	-	-
			Modo seco ligado	-	-
			Contacto do sensor de ar ambiente Solto/curto	Contacte o seu fornecedor	E1 a piscar
			Sensor da bobina interior aberto/curto	Contacte o seu fornecedor	E2 a piscar
			Fraca temperatura da água no tubo	-	E4 a piscar
			Má temperatura da água no tubo	-	E5 a piscar
			Erro de Hardware (pino do interruptor táctil pequeno)	Contacte o seu fornecedor	E8 a piscar
			Nenhum feedback da ventoinha interior	Contacte o seu fornecedor	E9 a piscar

LIGAR

LIGAR ou DESLIGAR

A piscar

FUNCIONAMENTO DA UNIDADE DE AR CONDICIONADO

Modo seco

- Quando a humidade do ar é elevada, a unidade pode funcionar em modo seco. Prima o botão <MODE> e escolhe <DRY>.
- Se a temperatura ambiente é 2°C/3,6°F mais alta do que a temperatura definida, o ar condicionado funcionará no modo arrefecimento até alcançar os 2°C/3,6°F de diferença comparado à temperatura definida antes de converter para o modo seco.
- Se a temperatura ambiente está dentro dos 2°C/3,6°F de diferença comparada com a temperatura definida, vai diretamente para o modo seco.
- A unidade funcionará em velocidade baixa (LOW) no modo seco.

Modo calor (apenas para a unidade de bomba de calor).

- Quando a unidade está na definição corrente de ar frio, a ventoinha interior iniciará o funcionamento apenas depois da bobina atingir a temperatura desejada.
- Para a definição do modo ventoinha, a ventoinha interior continuará a funcionar uma vez ligada (ON).
- Quando a temperatura definida é alcançada, a ventoinha interior funcionará até a bobina não conseguir fornecer mais calor adicional.

Control do fluxo de ar

- Para uma circulação mais eficaz do ar, você pode ajustar manualmente a grelha de descarga de ar para a esquerda ou direita.
- Durante o funcionamento em modo frio e em modo seco, não direcione a grelha de ventilação de descarga de ar para baixo durante demasiado tempo. Se o funcionamento continuar assim, pode ocorrer condensação na grelha, resultando em gotas de água.

Velocidade da ventoinha e capacidade de arrefecimento estimada

- A capacidade de arrefecimento estimada é fornecida em velocidade da ventoinha alta (HIGH).
- A capacidade de arrefecimento é mais baixa quando a unidade está a funcionar em velocidade de ventoinha média (MEDIUM) e baixa (LOW).

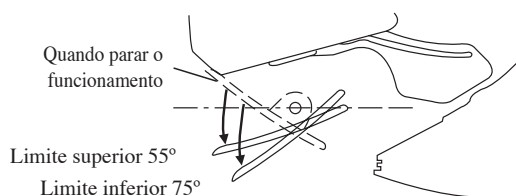
Notas sobre os ângulos das abas e grelhas

- Quando o “botão SWING” é selecionado, o balance das abas dependido modo de funcionamento. (ver figura)

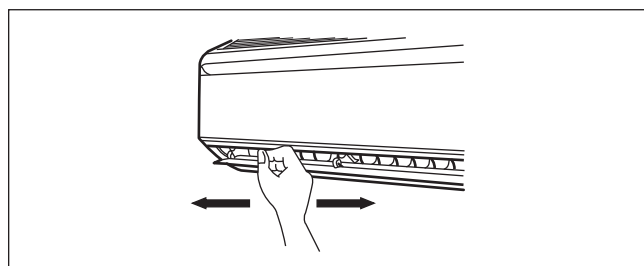
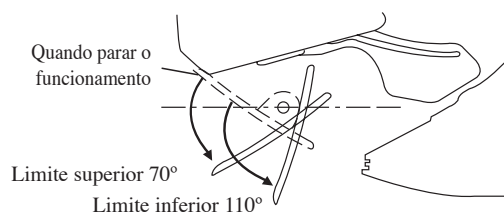
ATENÇÃO

- Use sempre um controlador remota para ajustar o ângulo das abas. Se tentar mover com força manualmente quando está a balançar, o mecanismo pode partir.
- Tenha cuidado ao ajustar as grelhas. Dentro da saída de ar, está a rodar uma ventoinha a alta velocidade.

Em modo COOL, DRY e FAN



Em modo HEAT



FAIXA DE OPERAÇÃO

Limites operacionais:

Transportador térmico: Água

Temperatura da água: 4-10°C Arrefecimento; 35-50°C Aquecimento

Pressão da água máxima: 16 bar

Temperatura do ar: (conforme abaixo)

Modo arrefecimento

Temperatura	Ts °C/°F	Th °C/°F
Temperatura interior mínima	19,0 / 66,2	14,0 / 57,2
Temperatura interior máxima	32,0 / 89,6	23,0 / 73,4

Modo aquecimento

Temperatura	Ts °C/°F	Th °C/°F
Temperatura interior mínima	15,0 / 59,0	-
Temperatura interior máxima	27,0 / 80,6	-

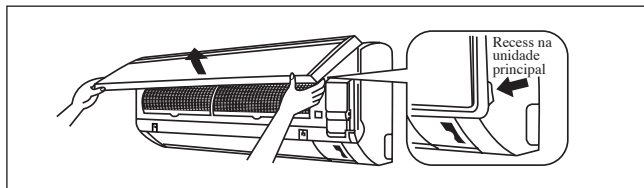
Ts: Temperatura da lâmpada seca.

Th: Temperatura da lâmpada molhada.

FILTRO DE AR

1. Abrir o painel frontal

- Segure o painel nos recessos na unidade principal (2 recessos do lado direito e esquerdo) e levante até parar.



2. Puxe os filtros de ar.

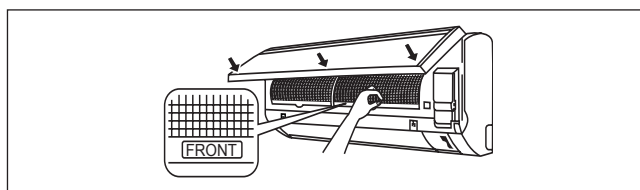
- Empurre um pouco para cima a patilha no centro de cada filtro de ar, depois puxe-o para baixo.

3. Limpe ou substitua cada filtro.

- Quando abanar a água que resta, não torça o filtro.

4. Coloque o filtro de ar como estava e feche o painel frontal.

- Inserir as garras dos filtros nas ranhuras do painel frontal. Feche o painel frontal devagar e empurre-o nos 3 pontos. (1 em cada lado e 1 no meio.)
- O filtro de ar tem uma forma simétrica na direção horizontal.



REPARAÇÕES E MANUTENÇÃO

Peças de assistência	Procedimentos de manutenção
Filtro de ar interior	<ol style="list-style-type: none"> 1. Remova qualquer pó aderente ao filtro com um aspirador ou lave em água morna (abaixo de 40°C/104°F) com detergente de limpeza neutro. 2. Limpe bem o filtro e seque-o antes de o colocar novamente na unidade. 3. Não utilize gasolina, substâncias voláteis ou químicos para limpar o filtro.
Unidade interior	<ol style="list-style-type: none"> 1. Limpe qualquer sujidade ou poeira na grelha ou painel com um pano macio humedecido em água morna (abaixo de 40°C/104°F) e uma solução detergente neutra. 2. Não utilize gasolina, substâncias voláteis ou químicos para limpar a unidade interior.

1. Abrir o painel frontal

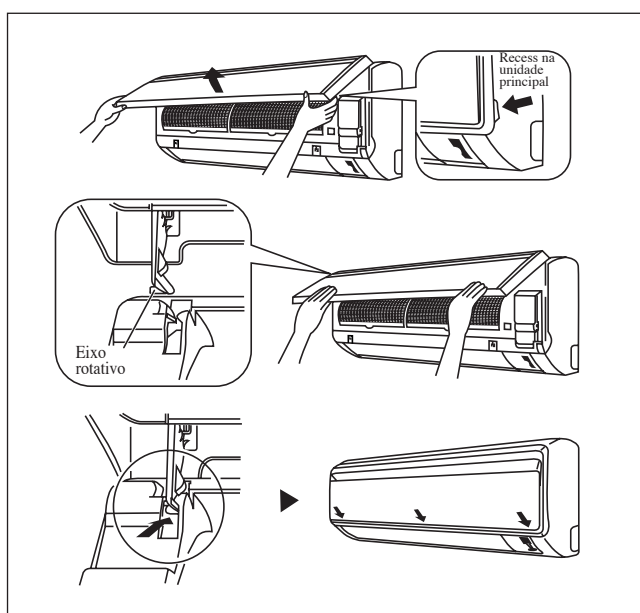
- Segure o painel nos recessos na unidade principal (2 recessos do lado direito e esquerdo) e levante até parar.

2. Remover o painel frontal.

- Enquanto levanta mais o painel frontal, deslize-o para a direita e puxe-o para a frente. O eixo de rotação esquerdo é separado. Deslize o eixo de rotação direito para a esquerda e puxe-o para a frente para o remover.

3. Coloque o painel frontal.



- Alinhe os eixos de rotação direito e esquerdo do painel frontal com as ranhuras e empurre tudo para dentro.
- Gentilmente feche o painel frontal. (Empurre ambas as extremidades e o centro no painel frontal.)



⚠ CUIDADO

- Não toque nas partes metálicas da unidade interior. Pode causar danos.
- Ao remover ou colocar o painel frontal, apoie o painel com a mão para evitar que ele caia.
- Para limpeza, não utilize água quente acima de 40°C, benzina, gasoline, diluente, nem outro óleo volátil, composto de polimento, nem esfregue com escova, ou outro material.
- Após limpar, certifique-se que o painel frontal está seguramente fixado.

Quando a unidade não está a ser usada durante um período longo de tempo

<p>Coloque a unidade em funcionamento durante 2 horas com a seguinte definição.</p> <p>Modo de funcionamento : frio Temperatura : 30°C/86°F</p>		<p>Remover a ficha de alimentação. Se está a usar um circuito elétrico independente para a sua unidade, desligue o circuito. Remova as pilhas do controlo remoto .</p>	
---	---	--	---

RESOLUÇÃO DE PROBLEMAS

Para quaisquer questões sobre partes suplentes, por favor contacte o seu fornecedor autorizado. Quando detectar qualquer avaria da unidade de ar condicionado, desligue imediatamente a alimentação para a unidade. Verifique as seguintes falhas e causas para alguns problemas simples.

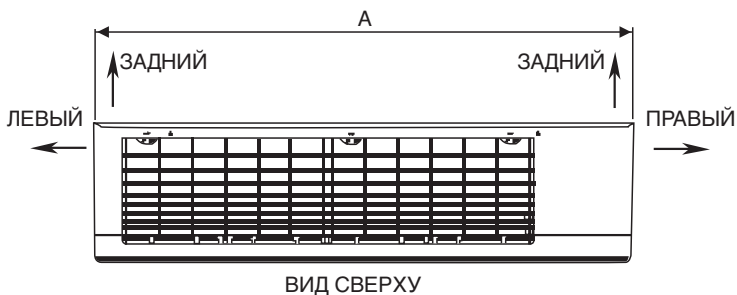
Falha	Causas/Ação
1. A unidade de ar condicionado não funciona.	<ul style="list-style-type: none"> - Falha da alimentação ou é necessário substituir o fusível. - A ficha de alimentação está desligada. - É possível que o temporizador de atraso tenha sido configurado de maneira incorrecta. - Se a falha persistir após todas estas verificações, contacte o técnico de instalação da unidade de ar condicionado.
2. O fluxo de ar é demasiado lento.	<ul style="list-style-type: none"> - O filtro de ar está sujo. - As portas ou janelas estão abertas. - A sucção e descarga de ar estão obstruídas. - A temperatura regulada não é suficiente elevada.
3. O fluxo de ar de descarga emite um mau cheiro.	<ul style="list-style-type: none"> - Os odores podem ser provocados por cigarros, partículas de fumo, perfume, etc., que podem ter aderido à bobina.
4. Condensação na grelha de ar frontal da unidade interior.	<ul style="list-style-type: none"> - Isto é provocado pela humidade de ar após um período de funcionamento prolongado. - A temperatura configurada é demasiado baixa, aumente a definição da temperatura e utilize a unidade com uma velocidade elevada da ventoinha.
5. Água a vazar da unidade de ar condicionado.	<ul style="list-style-type: none"> - Desligue a unidade e contacte o seu revendedor.

Se a falha persistir, por favor ligue ao seu fornecedor/técnico local.

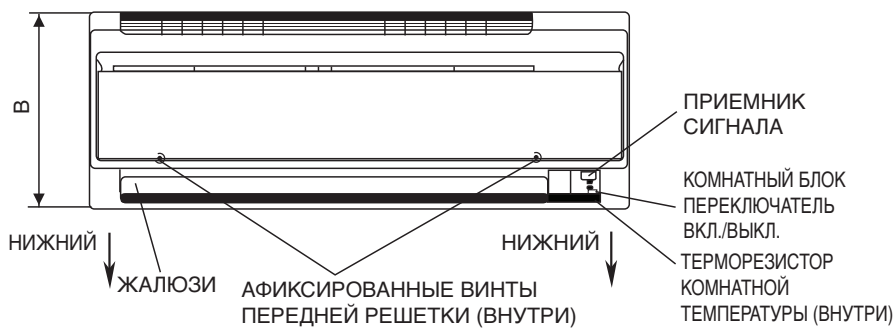
СХЕМА И РАЗМЕРЫ

Комнатного блок

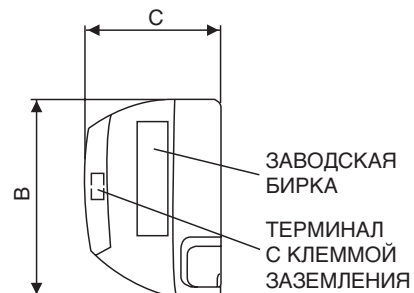
ЗНАК (→) ПОКАЗЫВАЕТ НАПРАВЛЕНИЕ ТРУБОПРОВОДА



ВИД СВЕРХУ



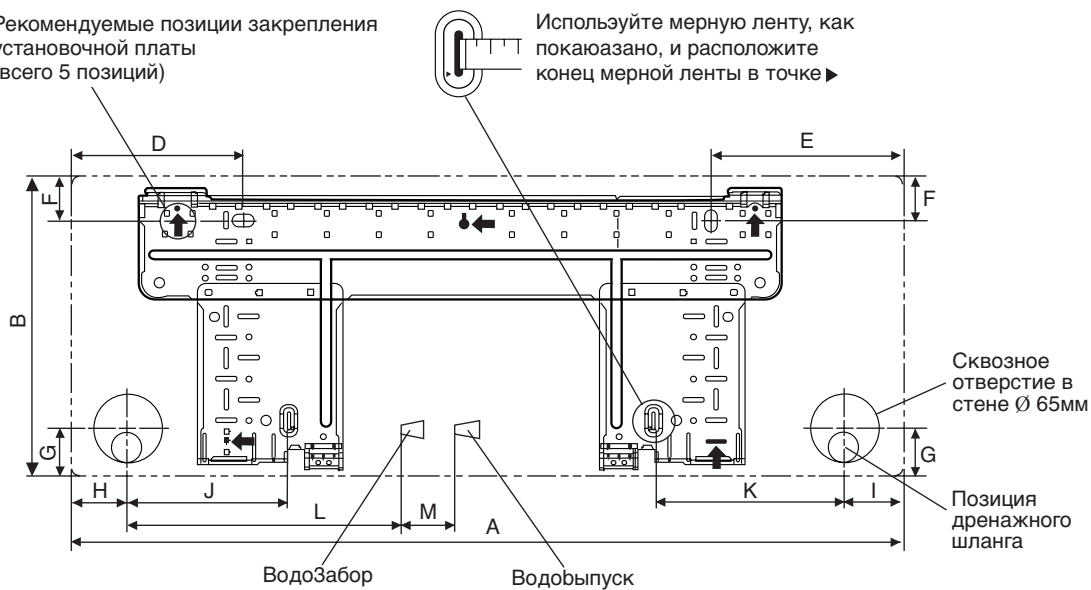
ВИД СПЕРЕДИ



ВИД СБОКУ

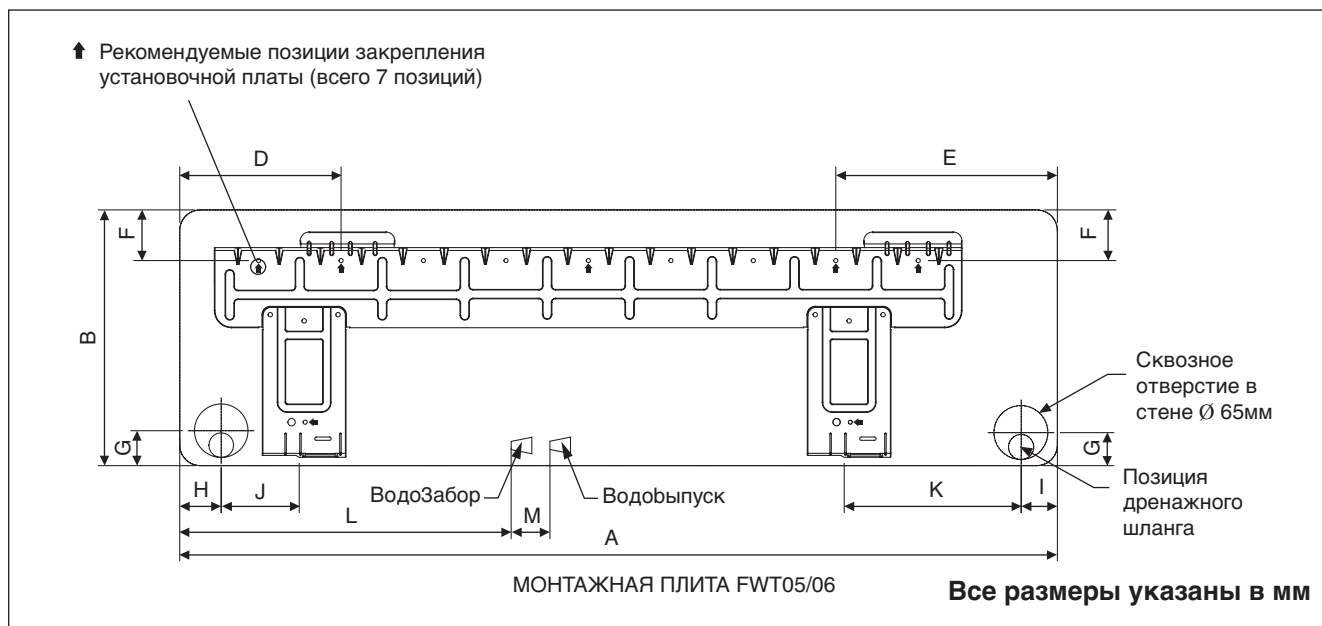
↑ Рекомендуемые позиции закрепления установочной платы (всего 5 позиций)

Используйте мерную ленту, как показано, и расположите конец мерной ленты в точке ▶



МОНТАЖНАЯ ПЛИТА FWT02/03/04

Все размеры указаны в мм



Размер	A	B	C	D	E	F	G	H	I	J	K	L	M
Модель FWT02/03/04	800	288	206	166	184	42	46	55	56	154	182	267	55
FWT05/06	1065	310	224	190	173	61	40	45	48	91	219	593	60

РУКОВОДСТВО ПО УСТАНОВКЕ

Это руководство рассматривает процедуру установки с целью обеспечения безопасности и соответствующих стандартов для функционирования блока кондиционера.

Специальная регулировка по месту установки может быть необходима.

Перед использованием Вашего кондиционера, пожалуйста, внимательно данное руководство по эксплуатации и сохраните его для обращения за справками в будущем.

Этот аппарат предусмотрен для использования опытным и обученным персоналом в магазинах, в легкой промышленности и сельском хозяйстве, или для коммерческого применения непрофессионалами.

Данное устройство не предназначено к эксплуатации лицами (включая детей) с ограниченными физическими, сенсорными или умственными возможностями, а равно и теми, у кого нет соответствующего опыта и знаний. Такие лица допускаются к эксплуатации устройства только под наблюдением или руководством лица, несущего ответственность за их безопасность.

За детьми необходим присмотр во избежание игр с устройством.

МЕРЫ ПРЕДОСТОРОЖНОСТИ

ВНИМАНИЕ

- Установка и техническое обслуживание должны проводиться квалифицированным персоналом, знающим местный код и положения и имеющим опыт работы с данным видом устройств.
- Весь монтаж проводов должен проводиться в соответствии с национальными правилами электромонтажа.
- Перед началом электромонтажа удостоверьтесь, что напряжение блока соответствует указанному на табличке, согласно электрической схеме.
- Блок должен быть **ЗАЗЕМЛЕН** для предотвращения возможной опасности в результате неправильной установки.
- Электропроводка не должна соприкасаться с трубопроводом хладагента или движущимися частями двигателей вентилятора.
- Удостоверьтесь, что блок **ВЫКЛЮЧЕН** перед установкой или обслуживанием.
- Прежде чем производить сервисные работы, кондиционер следует отключить от электросети.
- **НЕ** выдергивайте шнур при включенном питании. При этом можно получить серьезные удары током и вызвать угрозу пожара.
- Держите комнатный и наружный блоки, силовой кабель и проводку передачи как минимум за 1 м от телевизоров и радио для предотвращения искаженного изображения и помех. {В зависимости от типа и источника электрических волн, помехи могут быть услышаны даже при установке более чем на 1 м}.

ОСТОРОЖНО

Пожалуйста, обратите внимание на нижеследующие важные моменты при установке.

- Удостоверьтесь, что сливные трубы соединены надлежащим образом.
 - ⚠ Если сливные трубы не соединены надлежащим образом, это может стать причиной течи, которая намочит мебель.
- Удостоверьтесь, что панель блока закрыта после технического обслуживания или установки.
 - ⚠ Неплотно закрепленные панели вызовут шум при работе блока.
- Острые края и поверхности змеевиков являются потенциальными местами нанесения травм. Остерегайтесь контакта с этими местами.
- Перед тем, как включать питание, переведите выключатель удаленного контроллера в положение "OFF" (ВЫКЛ.) во избежание случайного срабатывания устройства. Если этого не сделать, при включении питания вентиляторы автоматически начнут вращаться и обслуживающий персонал или пользователь подвергнется опасности.
- Не устанавливайте блоки в дверном проеме или в непосредственной близости с ним.
- Не допускайте работы каких-либо обогревательных приборов в непосредственной близости с блоком кондиционера воздуха и не используйте в помещении, в котором имеется минеральное масло, пары нефти или масла, так как это может привести к расплавлению или деформации пластиковых деталей в результате чрезмерного тепла или химической реакции.
- При использовании блока на кухне не допускайте попадания муки во всасывающее устройство блока.
- Данный блок не подходит для промышленного использования, характеризующегося наличием тумана смазочно-охлаждающей жидкости, железного порошка или больших колебаний электрического напряжения.
- Не устанавливайте блоки в таких местах, как горячий источник или нефтеперерабатывающий завод, характеризующиеся наличием газа сульфида.
- Убедитесь, что цвет проводов наружного блока и маркировка терминалов совпадает с соответствующими элементами комнатного блока.
- **ВАЖНО: НЕ УСТАНАВЛИВАЙТЕ ИЛИ НЕ ИСПОЛЬЗУЙТЕ КОНДИЦИОНЕР В МОЕЧНОЙ.**
- Для входящего электропитания не следует использовать соединенные и скрученные многожильные провода.
- Оборудование не предназначено для использования в потенциально взрывоопасной среде.

ПРЕДУПРЕЖДЕНИЕ

Требования по утилизации

Ваше изделие для кондиционирования воздуха отмечено этим символом. Это означает, что электрические и электронные изделия не должны быть смешаны с несортированными бытовыми отходами.

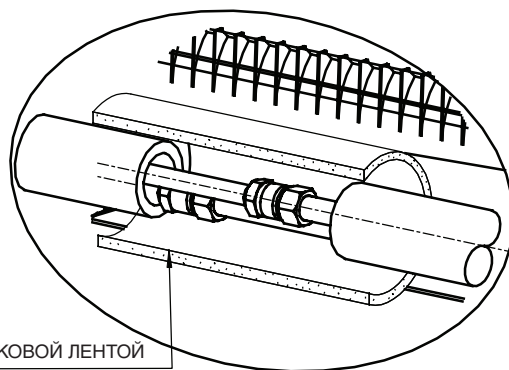
Не пытайтесь самостоятельно демонтировать систему: демонтаж системы кондиционирования воздуха, обработка хладагента, масла и других деталей должна быть произведена квалифицированным специалистом по установке согласно соответствующему местному и национальному законодательству.

Кондиционеры воздуха должны быть обработаны на специализированном перерабатывающем оборудовании для повторной утилизации, повторного использования отходов и восстановления. Убедившись в том, что данное изделие правильно утилизировано, вы сможете предотвратить потенциальные негативные последствия для окружающей среды и здоровья людей.

Для получения подробной информации обратитесь, пожалуйста, к вашему специалисту по установке или местным властям. Батареи должны быть удалены из пульта дистанционного управления и утилизированы отдельно согласно соответствующему местному и национальному законодательству.



РИСУНОК УСТАНОВКИ



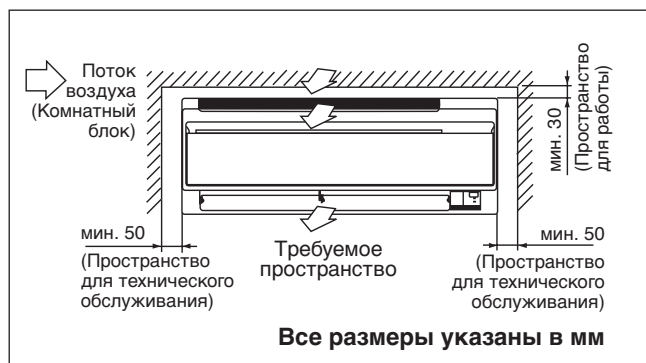
ПОЛНАЯ ИЗОЛЯЦИЯ ПРОБКОВОЙ ЛЕНТОЙ

ИЗОЛЯЦИЯ ЧЕРЕЗ ТРУБОПРОВОД ОХЛАЖДЕННОЙ ВОДЫ

УСТАНОВКА КОМНАТНОГО БЛОКА

Внутренний модуль должен быть установлен так, чтобы предотвратить столкновение выпуска холодного воздуха с возвращающимся потоком горячего воздуха. Пожалуйста, оставьте пространство для установки, как показано на рисунке. Не устанавливайте внутренний модуль там, где модуль подвергается воздействию прямых солнечных лучей. Также расположение должно быть удобным для прокладки трубопроводов и дренажа и удалено от дверей и окон.

Прокладка трубопровода воды к блоку может быть выполнена несколькими способами (слева или справа модуля), через выламывающиеся отверстия на корпусе модуля (смотрите рисунок). Осторожно согните трубы в необходимое положение для прохода через отверстия. Для прохода сбоку и внизу подведите трубы и расположите их в необходимом направлении (смотрите рисунок). Дренажный шланг конденсации может быть зафиксирован к трубам.

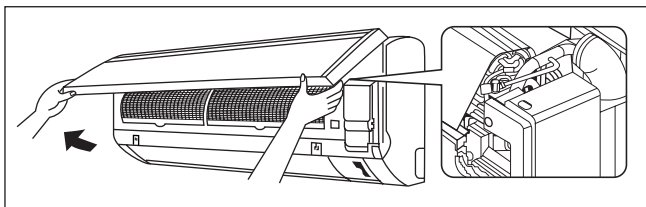


ОСТОРОЖНО

Не устанавливайте блок на высоте свыше 2000м.

Продувка воздухом

В целях предотвращения повреждения насоса не следует включать питание фанкойла до тех пор, пока змеевик и все трубопроводы воды не будут продуты воздухом.

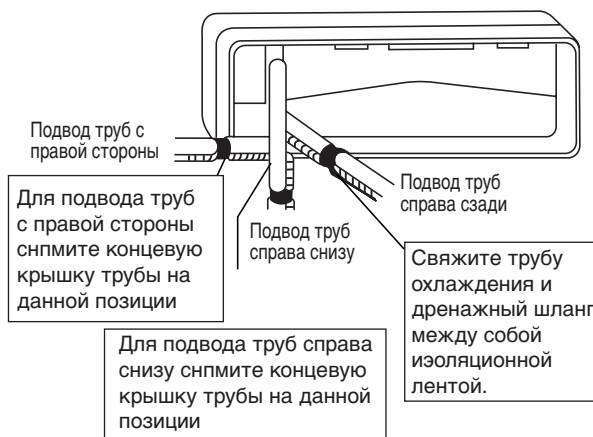


Вентиляционное отверстие, расположенное внутри корпуса. Во время выполнения продувки снимите корпус и подсоедините шланг к воздушному отверстию.

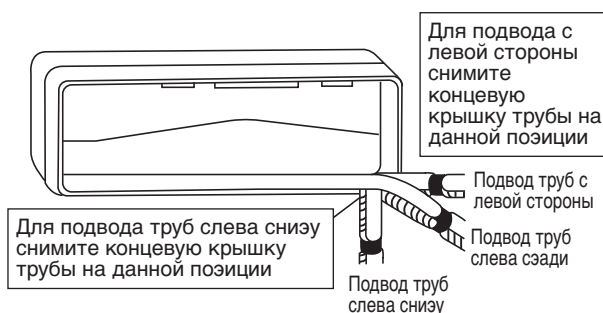
ОСТОРОЖНО

Во время выполнения продувки убедитесь в отсутствии капель воды в коробке управления.

Правый боковой, правый задний или правый нижний трубопровод



Левый боковой, левый задний или левый нижний трубопровод

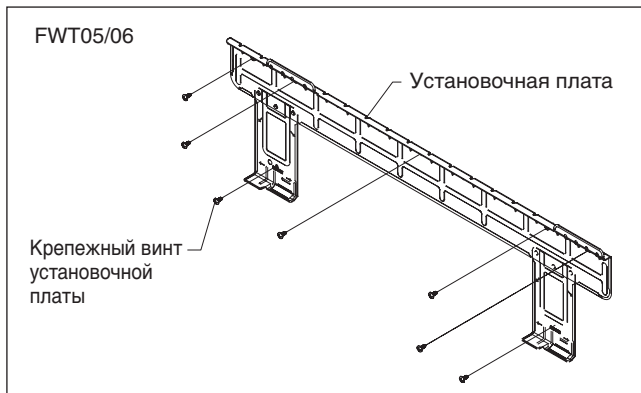
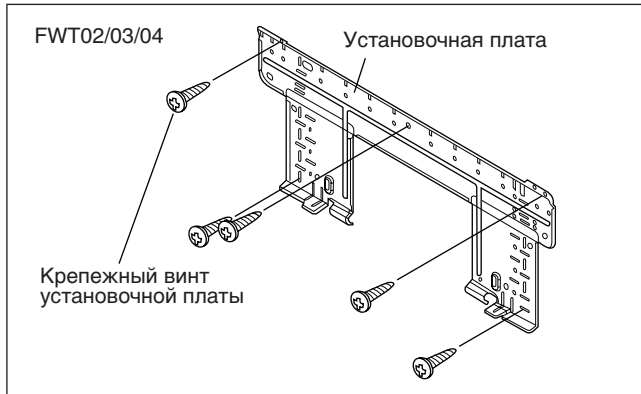


Сборка монтажной пластины

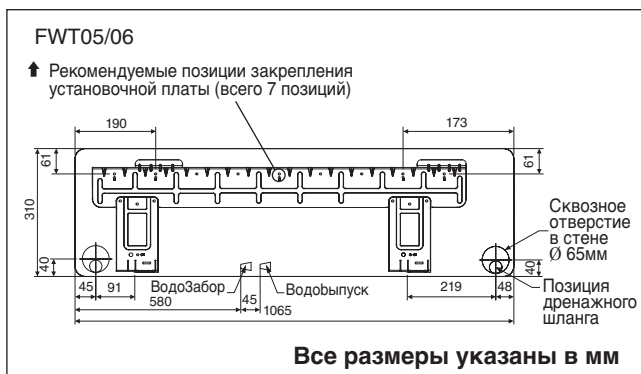
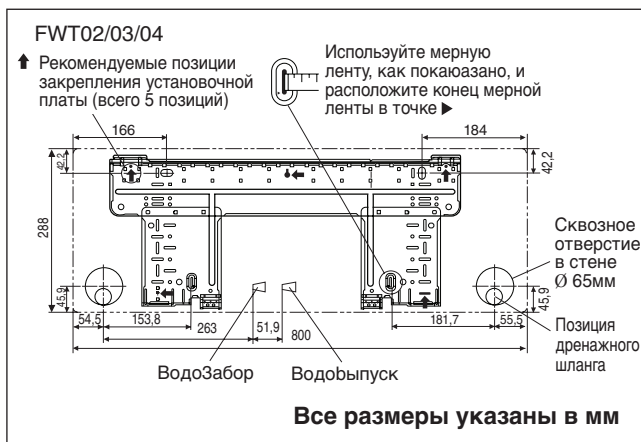
Убедитесь, что стена достаточно крепкая, чтобы выдержать вес блока. В противном случае необходимо укрепить стену пластинами, балками или стойками.

Для выравнивания по горизонтали используйте уровень и закрепите модель FWT02/03/04 5 подходящими винтами, а модель FWT05/06 – 7 винтами.

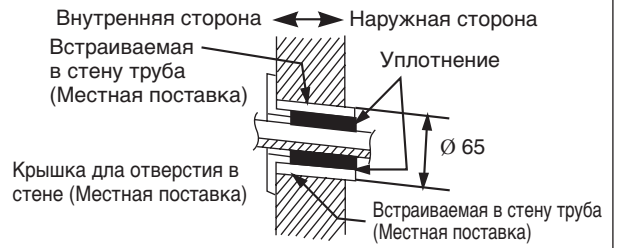
Если задний трубопровод слишком длинный, чуть ниже на внешней стене просверлите шарошечной дрелью отверстие диаметром 65 мм (см. рисунок).



Рекомендуемая Разметка Крепления Установочной Пластины И Размеры



Просверлите Коническим Сверлом



Установка блока на монтажной пластине

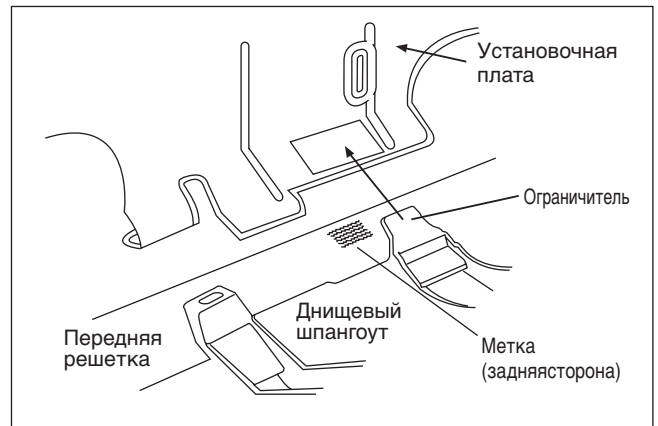
Зацепите внутренний блок за верхнюю часть монтажной пластины (Зацепите два крюка, расположенные на задней верхней части внутреннего блока, за верхний край монтажной пластины). Убедитесь, что крюки надежно зафиксированы на монтажной пластине, перемещая ее влево и вправо.

Правила установки комнатного блока

Прицепите кулачковые захваты нижней рамы к установочной плате.

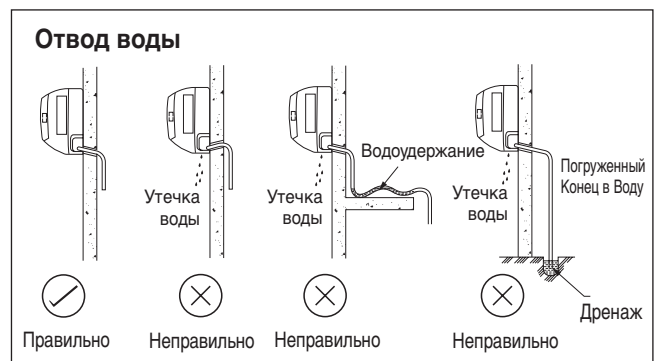
Правила снятия комнатного блока

Надавите на отмеченную область (в нижней части передней решетки) для расцепления кулачков.



Трубопровод отвода воды

Дренажная труба внутреннего блока должна быть установлена с уклоном вниз для обеспечения беспрепятственного отвода воды. Необходимо избегать ситуации, которые могут вызвать утечку воды.



Подсоединение Водопровода

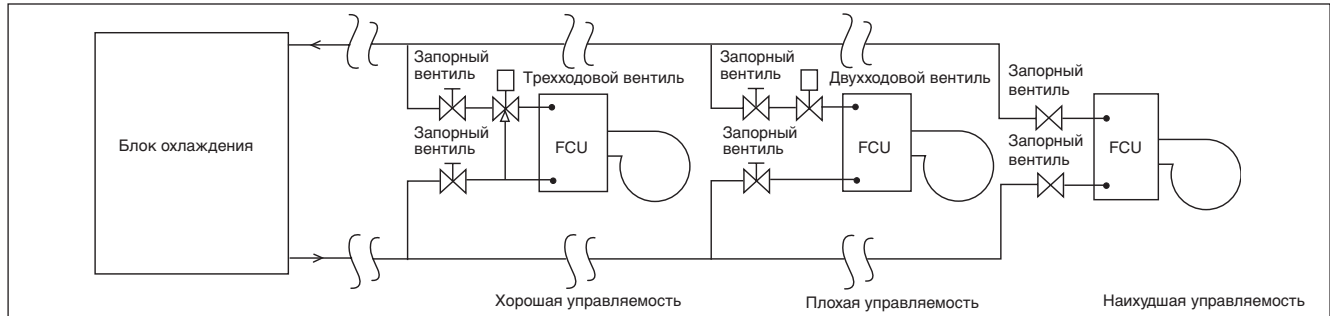
Выходы водовыпуска и водозабора внутреннего блока оборудованы резьбовым соединением. Для откачки воздуха, на водяной коллектор установлен воздушный вентиль.

Для чередования выключения или перепуска воды необходим трехходовой клапан.

Для установки на открытом воздухе, рекомендуется применение трубки из черного металла, трубки из полиуретана, трубки из поливинилхлорида, а также медной трубки.

Во избежание конденсации, все типы трубок и соединений должны быть изолированы полиуретаном (типа ARMAFLEX, или подобного). Для установки нельзя использовать загрязненные или поврежденные трубки или комплектующие.

Некоторые основные комплектующие, как например, запорный клапан, уравнильный клапан, двухходовой или трехходовой клапан, фильтр, сетчатый фильтр и др. необходимы для улучшения работы системы и облегчения ее использования.



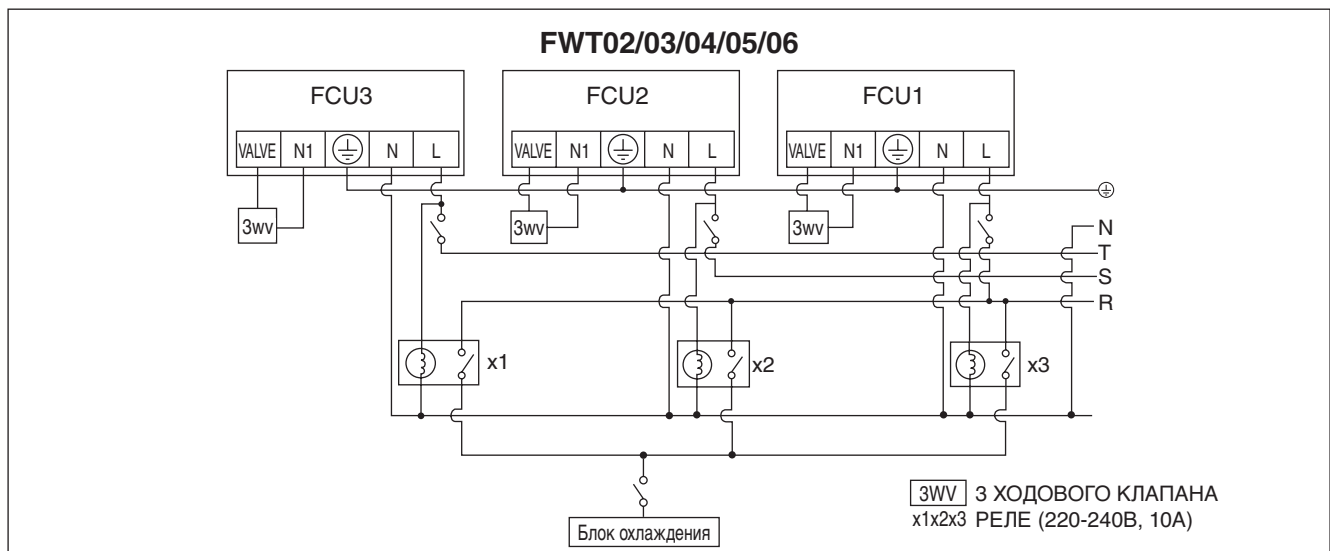
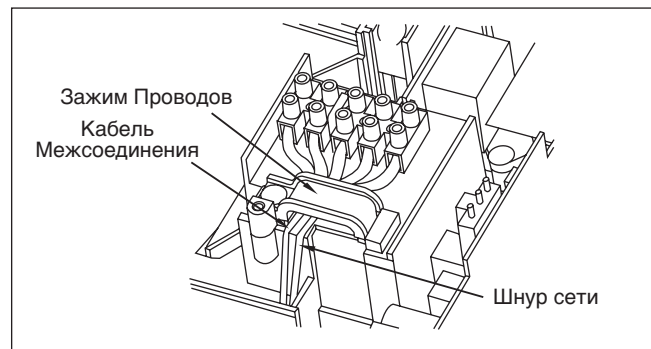
ЭЛЕКТРИЧЕСКАЯ СХЕМА СОЕДИНЕНИЙ

ВАЖНО: * Данные значения представлены только для информации, их необходимо проверить и выбрать для соответствия местным и/или национальным техническим условиям и предписаниям. Они также зависят от типа установки и сечения используемых проводников.

** Соответствующий диапазон напряжений следует сверять с данными, указанными на табличке, прикрепленной к корпусу аппарата. Разъединение в питающей сети должно быть полюсным, при этом зазоры между замыкающими контактами реле должны быть, по крайней мере, 3мм.

Модель	FWT02/03/04/05/06	
Диапазон напряжения**	220В – 240В/1Ф / 50Гц + ⊕	
Сечение шнура сети*	мм²	1,5
Количество Проводов		3
Рекомендованный предохранитель с задержкой срабатывания	A	2

- Все провода должны быть хорошо соединены.
- Все электропроводка должна не приходить в соприкосновение с хладагентом насоса или лопастей двигателя.
- Соединяющиеся провода к внутренней единице должны быть зажаты на проводные зажимы как показано в фигуре.
- Шнур питания должен быть эквивалентным H07RN-F который является минимальным требованием, и должен использоваться в защитной трубке.

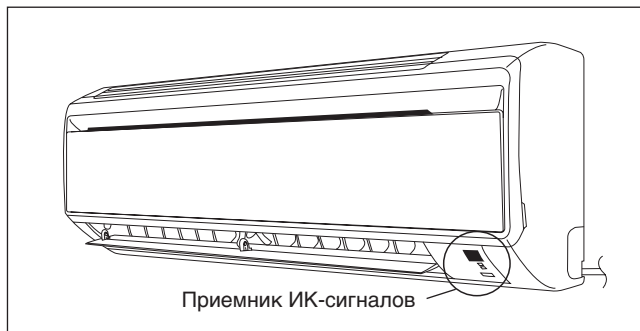


ПОКАЗАНИЯ ИНДИКАТОРОВ

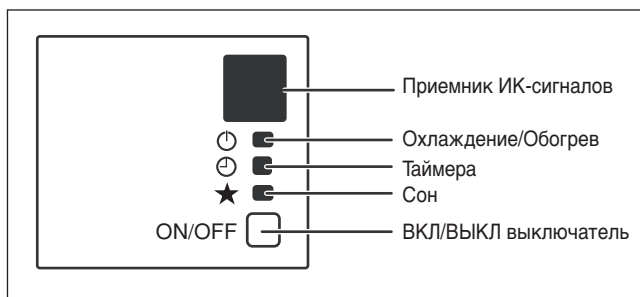
Приемник ИК-сигналов

После передачи инфракрасного сигнала дистанционного управления произойдет срабатывание приемника сигналов на комнатном блоке, как показано ниже, для подтверждения получения передачи сигнала.

ВКЛ. на ВЫКЛ.	1 долгий звуковой сигнал
ВЫКЛ. на ВКЛ. Откачка/Воздействие Охлаждением	2 коротких звуковых сигнала
Дополнительная информация	1 коротких звуковых сигнала



Показания Индикаторов СИД Модуля Охлаждения/Обогревательный Насос



Модуль охлаждения/обогревательный насос

В таблице представлены показана работа светодиодных индикаторов при нормальном функционировании кондиционера и при возникновении неисправностей.

Светодиодные лампочки расположены на днище блока кондиционера справа.

СИД индикаторы : Нормальные Условия Функционирования и Сбой Модуля Охлаждения/Обогревательный Насос

	 ОХЛАДИТЕ / ЖАРА (зеленый/красный)		Нормальная работа / Индикация неисправностей	Действия	Код ошибки
			Режим охлаждения	-	-
			Обогрев	-	-
			Включен таймер	-	-
			Включен режим ожидания	-	-
			Включен режим вентилирования	-	-
			Включен режим осушения	-	-
			Контакт датчика воздуха в помещении Неплотный / Замкнут	Обратитесь к своему дилеру	Мигает E1
			Датчик внутреннего змеевика открыт / Замкнут	Обратитесь к своему дилеру	Мигает E2
			Неизвестная температура теплообменника	-	Мигает E4
			Неправильная температура воды в трубопроводе	-	Мигает E5
			Аппаратная ошибка (такты переключатель вывод замкнут)	Обратитесь к своему дилеру	Мигает E8
			Нет обратной связи от комнатного вентилятора	Обратитесь к своему дилеру	Мигает E9

ВКЛ

ВКЛ или ВЫКЛ

Мигание

РАБОТА КОНДИЦИОНЕРА

Режим Осушения

- При высокой влажности воздуха кондиционер может работать в режиме осушения. Нажмите кнопку <РЕЖИМ> и выберите режим <ОСУШЕНИЕ>.
- Если температура в помещении на 2°C/3,6°F выше заданной температуры, перед тем как перейти в режим осушения кондиционер будет работать в режиме охлаждения до тех пор, пока не достигнет 2°C/3,6°F диапазона перепада в сравнении с заданной температурой.
- Если температура в помещении находится в рамках 2°C/3,6°F диапазона перепада температур по сравнению с заданной температурой, кондиционер будет сразу работать в режиме осушения.
- В режиме осушения кондиционер будет работать на НИЗКОЙ скорости.

Обогрев (только для теплового насоса)

- Когда кондиционер находится в настройке холодного потока воздуха, внутренний вентилятор начнет работу только после того, как змеевик достигнет необходимой температуры.
- Для настройки режима вентилятора внутренний блок будет непрерывно работать после того, как кондиционер будет включен ON.
- По достижении заданной температуры вентилятор внутреннего блока будет работать до тех пор, пока змеевик не перестанет производить дополнительное тепло.

Управление Потокom Воздуха

- Для увеличения эффективности циркуляции воздуха положение решетки выпуска воздуха можно отрегулировать влево или вправо вручную.
- Во время работы в режиме охлаждения или осушения не следует надолго направлять жалюзи выпуска воздуха вниз. Если во время работы кондиционера жалюзи будут находиться в таком положении длительное время, на них может образоваться конденсат, что приведет к капанию воды.

Скорость вентилятора и номинальная степень охлаждения

- Номинальная степень охлаждения обеспечивается при скорости вентилятора HIGH.
- Номинальная степень охлаждения ниже при режиме модуля, работающего при скорости вентилятора СРЕД и НИЗК.

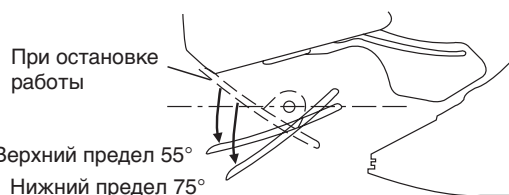
Примечания по углам поворота створок и жалюзи

- При пользовании кнопкой “ПОВОРОТ” диапазон углов поворота створок зависит от режима работы. (См. рисунок)

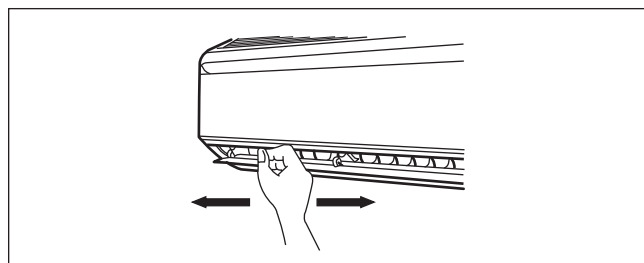
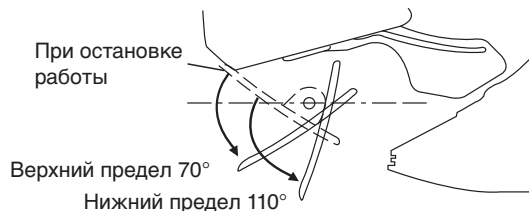
ВНИМАНИЕ

- Для регулировки угла поворота створок всегда пользуйтесь дистанционный блок управления. Если вы попытаетесь с усилием вручную перемещать створки во время их поворачивания, то возможна поломка механизма.
- При регулировке раскрытия жалюзи соблюдайте осторожность. Внутри воздуховыпускного узла вентилятор вращается с высокой скоростью.

В режиме ОХЛАЖДЕНИЕ, СУШКА, и ВЕНТИЛЯТОР



В режиме НАГРЕВ



РАБОЧИЙ ДИАПАЗОН

Эксплуатационные ограничения:

Тепловой носитель: Вода

Температура воды : 4-10°C Охлаждение, 35-50°C Обогрев

Максимальное давление воды: 16 бар

Температура воздуха: (как указано ниже)

Только охлаждение

Температура	Ts °C/°F	Th °C/°F
Мин. темп. в помещении	19,0 / 66,2	14,0 / 57,2
Макс. темп. в помещении	32,0 / 89,6	23,0 / 73,4

Обогревательный насос

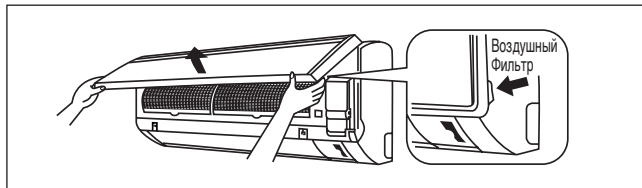
Температура	Ts °C/°F	Th °C/°F
Мин. темп. в помещении	15,0 / 59,0	-
Макс. темп. в помещении	27,0 / 80,6	-

Ts: Шарик сухого термометра. Th: Шарик смоченного термометра.

ВОЗДУШНЫЙ ФИЛЬТР

1. Откройте лицевую панель.

- Возьмитесь за панель в местах углублений на основном блоке (2 углубления с правой и левой стороны) и поднимите ее до упора.



2. Вытяните наружу воздушные фильтры.

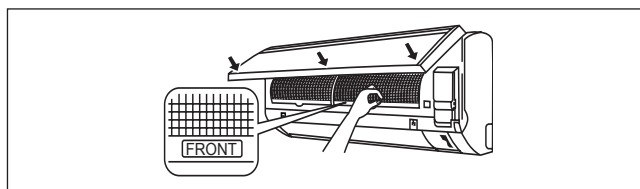
- Переместите немного вверх петлю в центре каждого воздушного фильтра и затем потяните его вниз.

3. Очистите или замените каждый из фильтров.

- При удалении оставшейся воды, не скручивайте фильтр.

4. Установите воздушный фильтр и закройте переднюю панель.

- Зацепите захватные кулачки фильтров за пазы лицевой панели. Медленно закройте лицевую панель и толчком зафиксируйте ее в трех точках (по одной с каждой боковой стороны и посередине).
- Воздушный фильтр имеет симметричную форму в горизонтальном направлении.



СЕРВИС И ТЕХНИЧЕСКОЕ ОБСЛУЖИВАНИЕ

Узлы Обслуживания	Процедуры Технического Обслуживания
Комнатного воздушный фильтр	<ol style="list-style-type: none"> Очистите от пыли фильтр пылесосом или вымойте его в теплой воде (ниже 40°C/104°F) нейтральным моющим средством. Хорошо прополоскайте и высушите фильтр перед установкой его обратно в блок. Не используйте бензиновые, легкоиспаряющиеся вещества или химические средства для очистки фильтра.
Комнатного блок	<ol style="list-style-type: none"> Очистите от грязи или пыли решетку или панель, вытирая при помощи мягкой ткани смоченной в теплой воде (ниже 40°C/104°F) нейтральным моющим средством. Не используйте бензиновые, легкоиспаряющиеся вещества или химические средства для очистки комнатного блока.

1. Откройте лицевую панель.

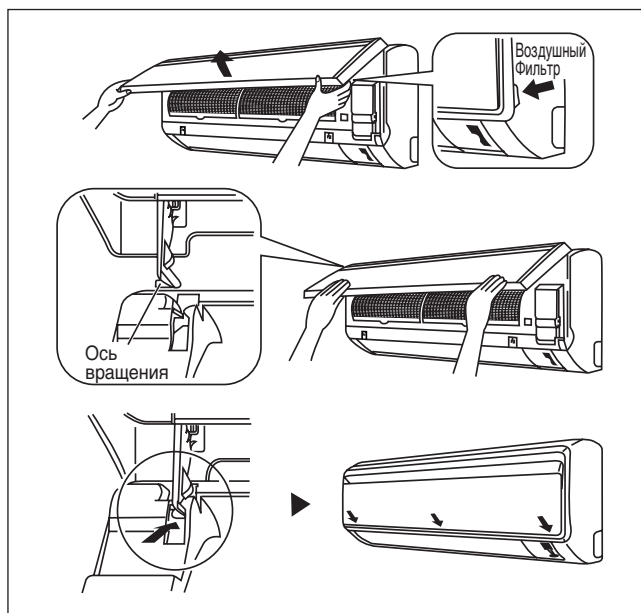
- Возьмитесь за панель в местах углублений на основном блоке (2 углубления с правой и левой стороны) и поднимите ее до упора.

2. Снимите лицевую панель.

- Поднимая лицевую панель, сдвиньте ее вправо и потяните к передней стороне. Левая ось вращения отсоединится. Сдвиньте правую ось вращения влево и потяните ее к передней стороне для снятия.

3. Прикрепите лицевую панель.

- Выровняйте правую и левую оси вращения лицевой панели с пазы и протолкните их.
- Осторожно закройте лицевую панель. (Нажмите на лицевую панель с обоих концов и по центру.)



⚠ ОСТОРОЖНО

- Не прикасайтесь к металлическим частям внутреннего блока. Это может привести к телесным повреждениям.
- При снятии или к реплении лицевой панели надежно придерживайте панель рукой для предотвращения ее падения.
- Для очистки пользуйтесь водой с температурой не выше 40°C, бензин, керосин, разжижитель, другие летучие масла, полировочные составы, щетки с жесткой щетиной или какие-либо другие подручные средства.
- После очистки убедитесь в плотном закрытии лицевой панели.

Длительный перерыв в использовании кондиционера

<p>Включите кондиционер и оставьте его работать в течение 2 часов со следующими настройками.</p> <p>Режим работы : охлаждение Температура : 30°C/86°F</p>		<p>Извлеките штепсель шнура питания из сетевой розетки. При использовании для кондиционера независимой электрической цепи выключите цепь.</p> <p>Извлеките батарейки из пульта дистанционного управления.</p>	
---	---	---	---

МЕРЫ ПО УСТРАНЕНИЮ

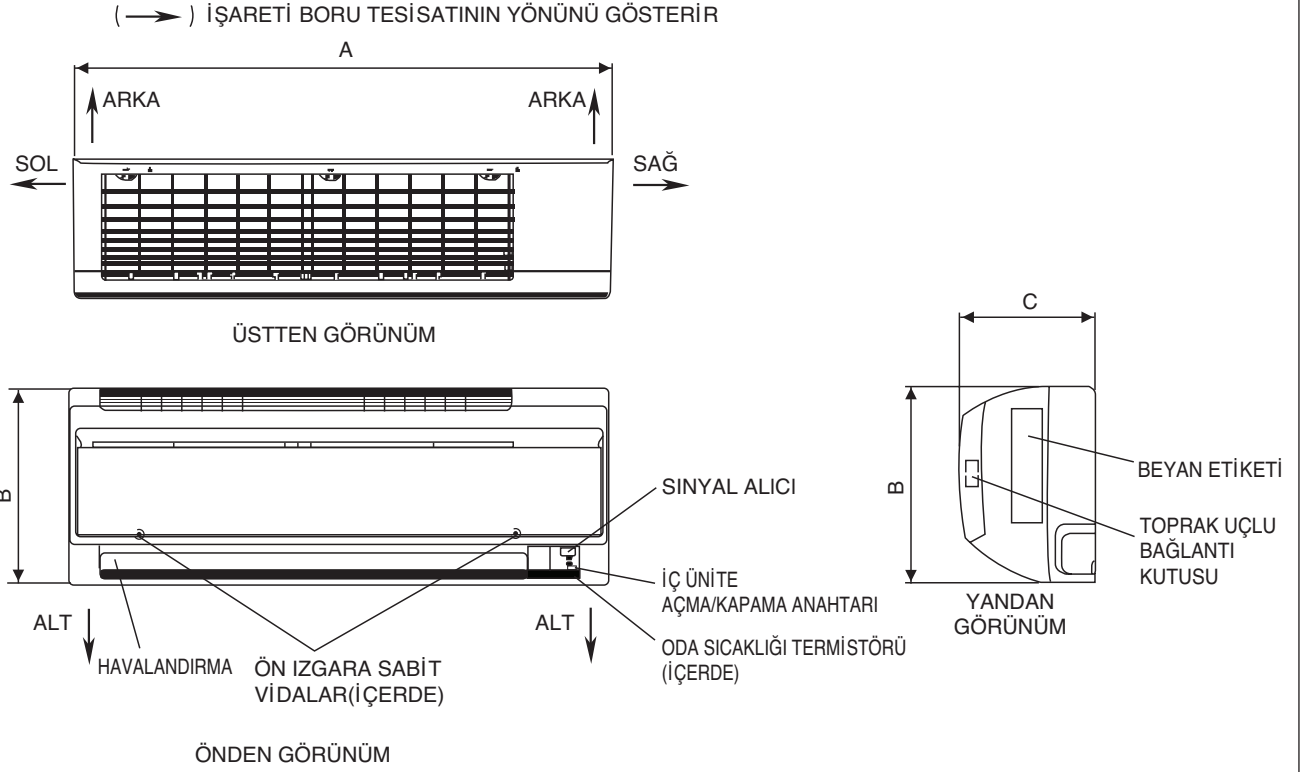
С любыми вопросами по поводу запасных частей обращайтесь, пожалуйста, к уполномоченному дилеру. При обнаружении сбоев в работе модуля кондиционера, немедленно выключите питание сети модуля. Проверьте нижеследующие признаки неисправностей, причины и советы простейших мер по устранению.

Неисправность	Причины/действия
1. Кондиционер не работает.	<ul style="list-style-type: none"> - Отсутствие сетевого питания или требуется замена предохранителя. - Вилка не вставлена. - Существует вероятность того, что таймер задержки установлен неправильно. - Если неисправность не удастся устранить после проведения всех проверок, обратитесь к Вашему установщику кондиционера.
2. Очень незначительный поток воздуха.	<ul style="list-style-type: none"> - Воздушный фильтр загрязнен. - Открыты двери или окна. - Забился впуск и выпуск воздуха. - Установленная температура недостаточно высока.
3. При выпуске воздуха имеется неприятный запах.	<ul style="list-style-type: none"> - Неприятный запах может быть вызван сигаретами, частицами дыма, парфюмерии и т.п., которые могли осесть на змеевике.
4. Конденсат на передней решетке комнатного блока.	<ul style="list-style-type: none"> - Это вызвано влагой в воздухе после продолжительного времени функционирования. - Установленная температура слишком низка, увеличьте установленную температуру и установите скорость вентилятора на высокую.
5. Вода выливается из кондиционера.	<ul style="list-style-type: none"> - Выключите кондиционер и обратитесь к дилеру.

Если неисправность неустранима, пожалуйста, обращайтесь к Вашему местному дилеру / специалисту.

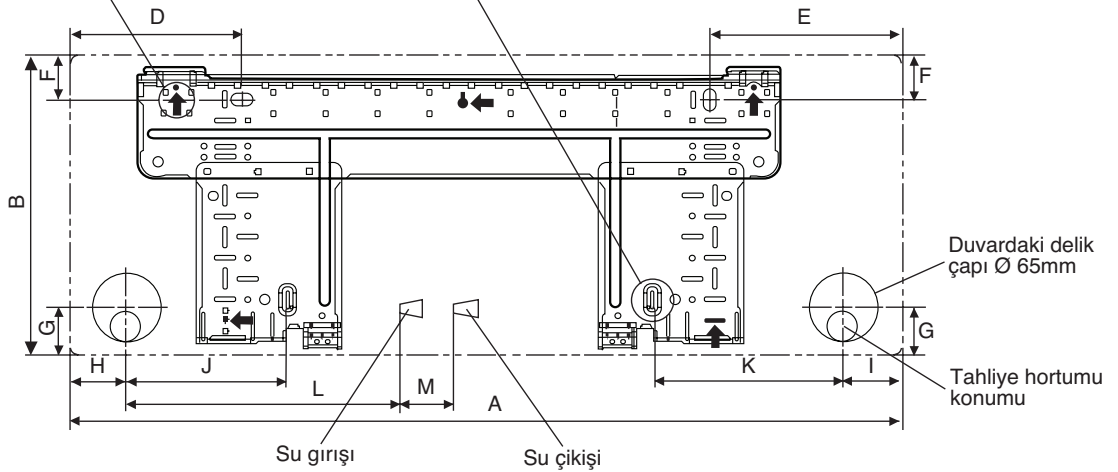
DIŐ HATLAR VE EBATLAR

İç Mekan Ünitesi



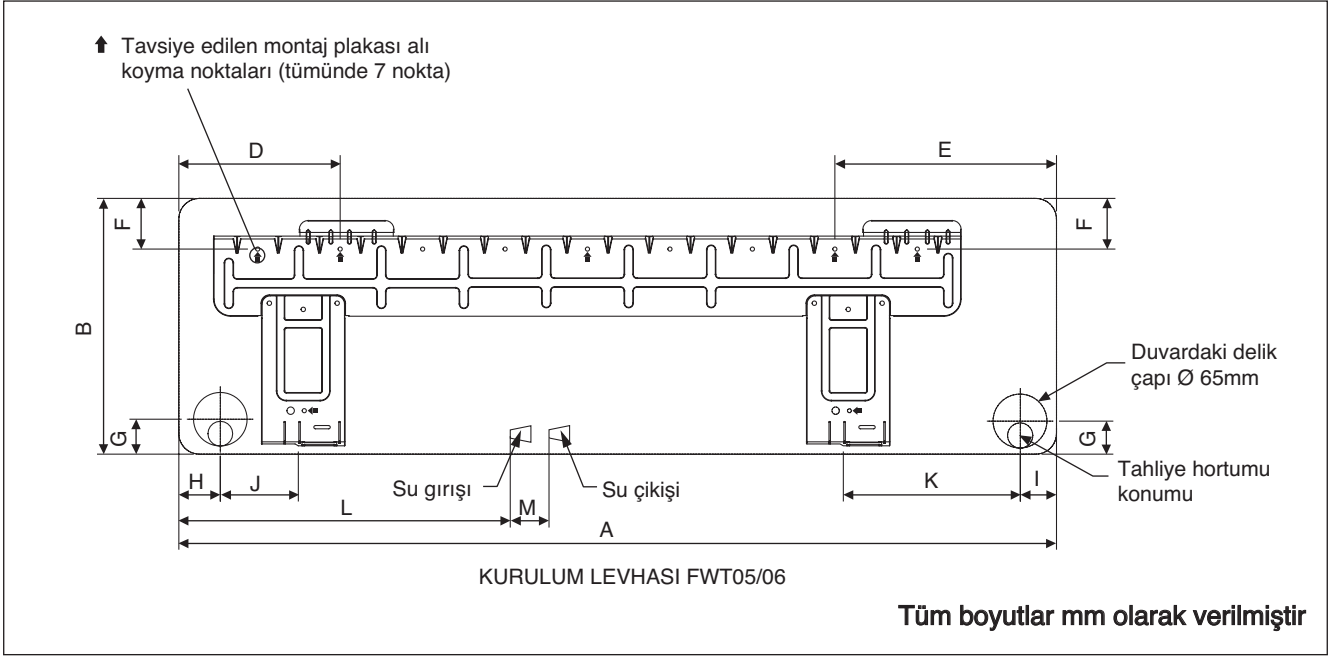
↑ Tavsiye edilen montaj plakası
alı koyma noktaları
(tümünde 5 nokta)

Şerit metreyi gösterildiği gibi kullanın.
Şerit metrenin sonunu ▶ 'da
konumlandırın



KURULUM LEVHASI FWT02/03/04

Tüm boyutlar mm olarak verilmiştir



Modeller	Boyutlar												
	A	B	C	D	E	F	G	H	I	J	K	L	M
FWT02/03/04	800	288	206	166	184	42	46	55	56	154	182	267	55
FWT05/06	1065	310	224	190	173	61	40	45	48	91	219	593	60

KURULUM KILAVUZU

Bu el kitabında, klima ünitesi için güvenli ve iyi çalışma standardı sağlamak için gerekli kurulum prosedürleri verilmektedir. Yerel gereksinimlere uyum sağlamak için özel ayarlamaya gerekebilir.

Klimanızı kullanmadan önce, lütfen bu talimat el kitabını dikkatli bir şekilde okuyun ve ileride başvurmak üzere saklayın. Bu cihaz, uzman veya eğitimli kişiler tarafından mağazalarda, aydınlatma endüstrisinde ve çiftliklerde veya meslekten olmayan kişiler tarafından ticari amaçlı olarak kullanılacak şekilde tasarlanmıştır.

Bu cihaz, güvenliklerinden sorumlu bir kimse tarafından cihazın kullanımıyla ilgili nezaret veya talimat sağlanmadıkça çocuklar dahil düşük fiziksel, duyuşsal veya zihni yeteneklere sahip veya deneyimden ve bilgiden yoksun kişilerin kullanımına yönelik değildir.

Cihazla oynamadıklarının garantiye alınması için çocuklar gözetim altında bulundurulmalıdır.

GÜVENLİK ÖNLEMLERİ

⚠ UYARI

- Kurulum ve bakım işlemleri, yerel kuralları ve yönetmelikleri bilen, bu tür cihazlar konusunda tecrübesi olan kalifiye kişiler tarafından yapılmalıdır.
- Sahadaki tüm elektrik tesisatı, ulusal kablolama yönetmeliklerine uygun bir şekilde yapılmalıdır.
- Elektrik tesisat şemasına göre kabloları çekmeye bağlamadan önce ünitenin voltaj değerinin, işletim değerleri plakasındaki değerle aynı olduğuna emin olunuz.
- Yalıtım yetersizliğinin neden olabileceği olası tehlikeleri önlemek için ünite TOPRAKLANMALIDIR.
- Hiçbir elektrik kablosu, soğutucu borularına veya fan motorlarının hareketli kısımlarına temas etmemelidir.
- Üniteyi kurmadan veya üniteye bakım yapmadan önce ünitenin KAPALI duruma getirildiğinden emin olunuz.
- Klimaya bakım yapmadan önce ünitenin kablosunu ana elektrik şebekesinden çıkarınız.
- Güç açık durumdayken güç kablosunu ÇEKMEYİN. Bu, yangın tehlikesiyle sonuçlanabilen ciddi elektrik çarpmalarına neden olabilir.
- Parazitli resimleri ve paraziti önlemek için, iç ve dış üniteleri, güç kablosu ve nakil tertibatını TV'lerden ve radyolardan en az 1m uzakta tutun. {Elektrik dalgalarının türü ve kaynağına bağlı olarak, parazit 1m'den daha fazla uzaklıktan bile duyulabilir}.

⚠ DİKKAT

- Lütfen kurulum yaparken aşağıdaki önemli noktalara dikkat edin.
- **Tahliye borularının doğru bağlandığından emin olun.**
⚠ Tahliye boruları düzgün bağlanmazsa, su sızıntısına neden olabilir ve ev eşyasını ıslatır.
 - **Bakım veya kurulumdan sonra ünite panelinin kapatıldığından emin olun.**
⚠ Emniyete alınmamış paneller ünitenin gürültülü çalışmasına neden olur.
 - **Keskin kenarlar ve bobin yüzeyleri yaralanma tehlikesinin olabileceği yerlerdir.**
Bu yerlere temas etmekten kaçınınız.
 - **Güç kaynağını kapatmadan önce, ünitenin sıkıntı çıkarmasını önlemek için uzaktan kumandanın ON/OFF anahtarını "OFF" konumuna getirin.** Bu yapılmazsa, elektrik yeniden geldiğinde ünitenin fanları otomatik olarak çalışmaya başlar ve bu durum bakım personeli veya kullanıcıya karşı tehlike oluşturur.
 - **Üniteleri kapı yoluna veya yakınına kurmayın.**
 - **Klima ünitesine çok yakında ısıtma aygıtları çalıştırmayın veya mineral yağ, yağ buharı ya da istimi bulunan odalarda kullanmayın, aşırı ısı veya kimyasal reaksiyon plastik kartın erimesine veya deforme olmasına neden olabilir.**
 - **Ünite, mutfakta kullanıldığında onun ünite tarafından emilmesini önleyin.**
 - **Bu ünite, soğutma yağı buharını veya demir tozunun ya da voltaj dalgalanmalarının çok olduğu yerlerde imalathane için uygun değildir.**
 - **Üniteyi, kaplıca veya yağ rafineri tesisi gibi sülfür gazının bulunduğu alanlara kurmayın.**
 - **Dış mekan ünitesinin kablolarının renkleri ile iç mekan ünitesinin terminal renklerinin aynı olduğundan emin olunuz.**
 - **ÖNEMLİ: KLİMA ÜNİTESİNİ ÇAMAŞIR YIKANAN BİR ODAYA KURMAYIN.**
 - **Gelen güç kaynağında ekli veya kıvrılmış kablolar kullanmayın.**
 - **Ekipman potansiyel olarak patlayıcı olan bir ortamda kullanılmak üzere tasarlanmamıştır.**

UYARI

Atım şartları

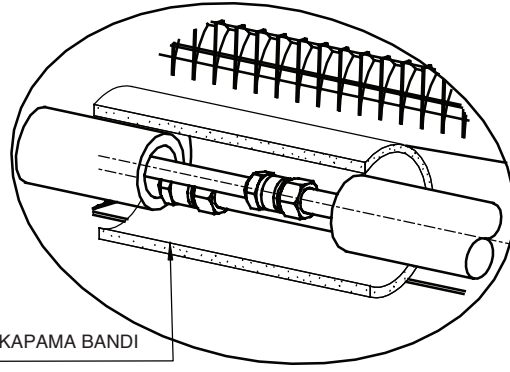
Klima cihazınızın üzerinde bu simge yer almaktadır. Bu, elektrikli ve elektronik ürünlerin, ayrıştırılmamış ev atıkları ile karıştırılmayacağını ifade etmektedir.

Sistemi kendi başınıza sökmeye kalkışmayınız: Klimanın sökülmesi ile soğutucu, yağ ve diğer parçalarla ilgili işlemler; yerel ve ulusal düzeyde ilgili yasalara uygun bir şekilde, kalifiye bir montaj elemanı tarafından gerçekleştirilmelidir. Klimaların yeniden kullanılması, geri dönüştürülmesi ve geri kazanım işlemleri, bu konuda uzmanlığa sahip özel bir tesiste yapılmalıdır. Bu ürünün gerektiği gibi elden çıkarılmasını sağlayarak, çevre ve insan sağlığı açısından olası olumsuz sonuçları önlemeye yardımcı olacaksınız. Bu konuda daha fazla bilgi edinmek için lütfen kurulum yetkilisine veya yerel yetkililere danışın.

Bataryalar, uzaktan kumandanan çıkarıldıktan sonra, yerel ve ulusal düzeyde ilgili yasalara uygun olarak, ayrı bir şekilde elden çıkarılmalıdır.



KURULUM ŞEMASI

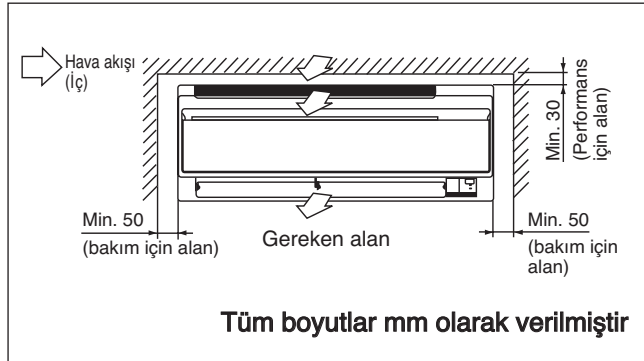


TAMAMEN YALITILMIŞ KAPAMA BANDI

SOĞUK SU BORUSU BOYUNCA YALITIM

İÇ ÜNİTENİN KURULUMU

İç ünite öyle kurulmalıdır ki, üniteden çıkan soğuk hava ile dönen sıcak hava iç içe geçmemelidir. Lütfen kurulum sırasında şekilde gösterilen mesafeleri muhafaza ediniz. İç ünite, doğrudan güneş ışığına maruz kalacağı bir noktaya yerleştirilmemelidir. Ayrıca ünitenin yeri, borular ve drenaj için uygun olmalı, kapılardan ve pencerelerden uzakta olmalıdır.



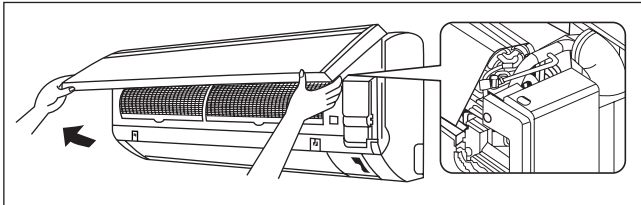
Tüm boyutlar mm olarak verilmiştir

⚠ DİKKAT

Üniteyi rakımın 2000m üstünde olduğu yerlerde kurmayın.

Hava Çıkışı

Pompanın hasar görmesini önlemek için, havalandırma ünitesine bobin ve tüm su hatları havalandırılıncaya kadar enerji verilmemelidir.



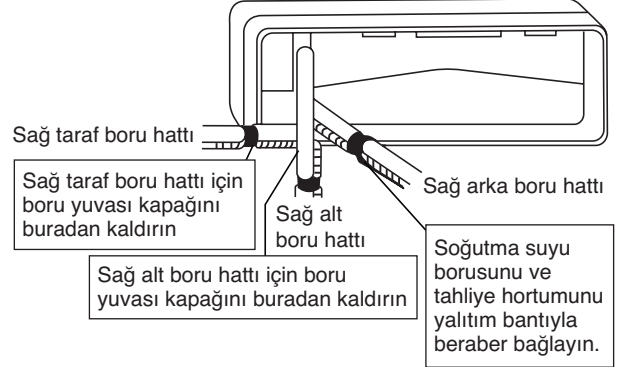
Havalandırma Deliği kasa içinde bulunur. Havalandırma sırasında kasayı çıkarın ve hortumu havalandırma deliğine bağlayın.

⚠ DİKKAT

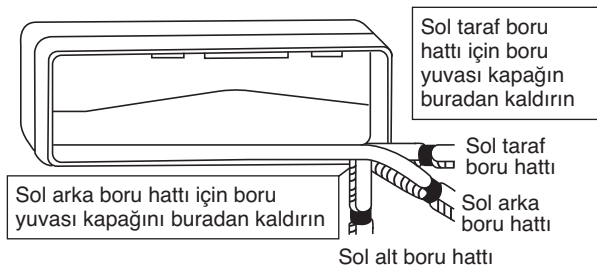
Havalandırma işlemi sırasında kontrol kutusuna su damlamadığından emin olun.

Su boruları, farklı yollarla üniteye yönlendirilebilir (ünitenin arkasından, soldan veya sağdan). Bunun için ünitenin gövdesinde açılmış delikler kullanılabilir (şekle bakınız). Boruların deliklerle hizalanması için boruları dikkatlice bükünüz. Boruları yandan ve alttan geçirirken alttan tutun ve ardından istenen yöne göre konumlandırın (şekle bakınız). Yoğunlaşma drenaj hortumu borulara bantlanabilir.

Boruların sağ yandan, sağ arkadan ve sağ alttan geçirilmesi



Boruların sol yandan, sol arkadan veya sol alttan geçirilmesi

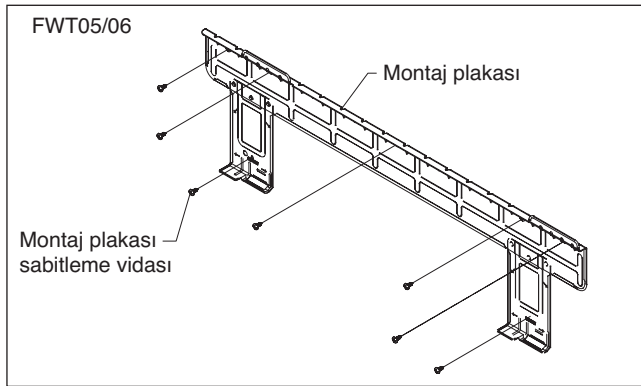
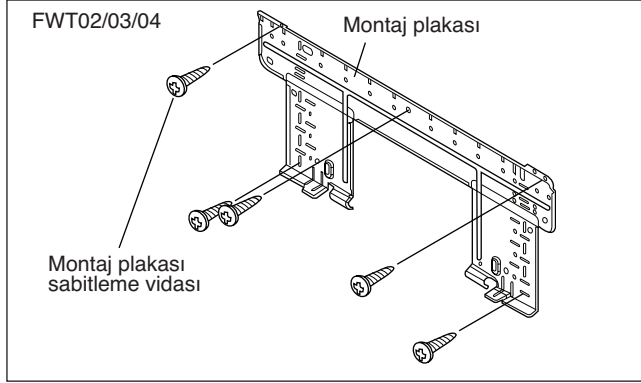


Montaj Levhasının Monte Edilmesi

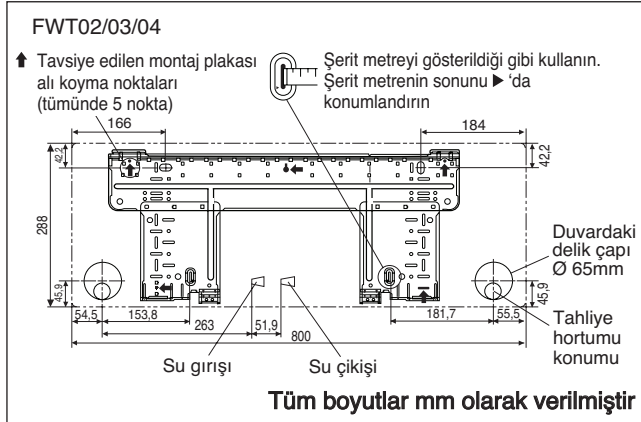
Duvarın, ünitenin ağırlığını kaldıracak kadar kuvvetli olduğuna emin olunuz. Aksi halde duvarın; levhalarla, kirişlerle veya sütunlarla desteklenmesi gerekir.

Yatay montaj için seviye ölçüm cihazı kullanın ve FWT02/03/04 için 5, FWT05/06 içinse 7 vidayla sabitleyin.

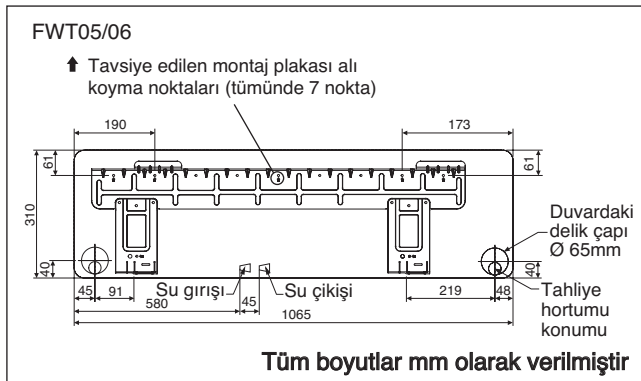
Ünitenin arkasından boru çıkacaksa, dış duvarda biraz daha aşağı bir noktada (şekle bakınız), konik matkap ucuyla 65mm çapında bir delik deliniz.



Tavsiye Edilen Montaj Plakası Alı koyma noktaları ve Boyutlar

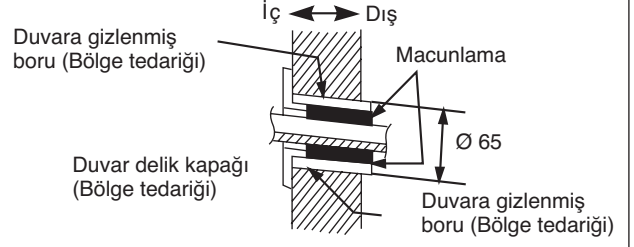


Tüm boyutlar mm olarak verilmiştir



Tüm boyutlar mm olarak verilmiştir

Konik Matkap Ucuyla Açılmış Delik



İç Ünitenin Montaj Plakasına Monte Edilmesi

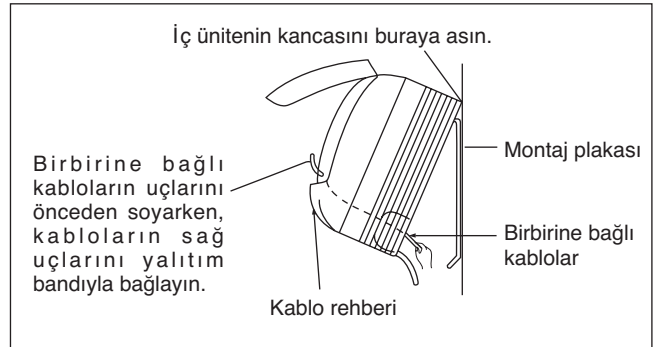
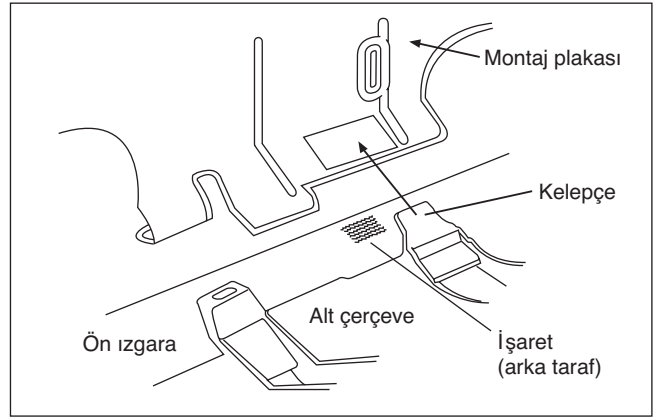
İç ünitenin, montaj levhasının üst kısmına oturtunuz (İç ünitenin arkasında, üst tarafta yer alan iki kancayı, montaj levhasının üst ucuna takın). Üniteyi sola ve sağa oynatarak, kancaların kurulum levhasına gerektiği gibi oturduğuna emin olunuz.

İç Ünite Nasıl Takılır

Alt çerçevenin tırnaklarını montaj plakasına takın.

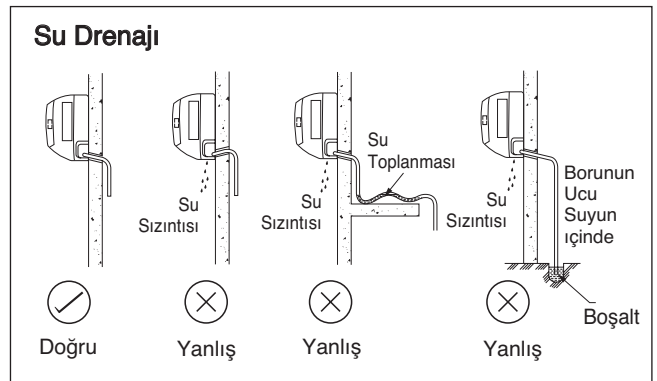
İç Ünite Nasıl Çıkarılır

Tırnakları serbest bırakmak için işaretli alanı yukarı ittirin (ön ızgaranın alt kısmında).



Su Drenaj Borusu

İç mekan drenaj borusu, suyun düzgün bir şekilde tahliye edilmesi için, düz bir şekilde aşağıya inmelidir. Suyun sızmasına neden olabilecek durumlardan kaçınınız.



Su Tesisatı Bağlantısı

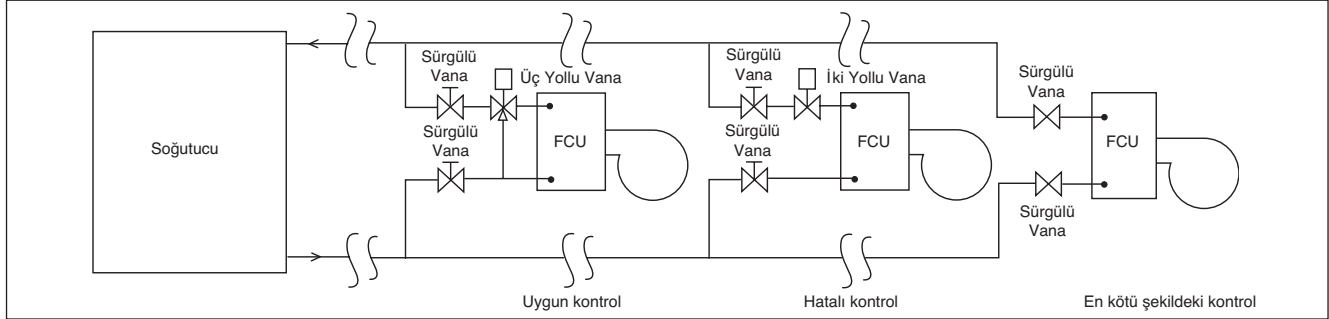
İç ünite su çıkışı ve girişi vidalı bağlantı vardır. Hava temizleme sağlayan su çıkışı ana borusuna takılan bir hava tahliye cihazı mevcuttur. Soğutulmuş suyu devre dışı kalması ya da atlayarak dolaşması için 3 yollu vanaya ihtiyaç duyulur.

Alan tesisatı için siyah çelik boru, PVC boru ve bakır boru önerilir.

Yoğunlaşmayı önlemek için tüm boru ve bağlantı tipleri poliüretanla (ARMAFLEX tipi ya da eşdeğeri) yalıtılmalıdır.

Kurulumda kirli ya da hasarlı boru ve bağlantı kullanmayın.

Kapasiteyi ve hizmet kolaylığını arttırmak için sistemde sürgülü vana, dengeleme vanası, 2 yollu veya 3 yollu valf, filtre, süzgeç, vb. gibi bazı ana bağlantı parçalarının olması gerekir.



ELEKTRİK TESİSAT BAĞLANTILARI

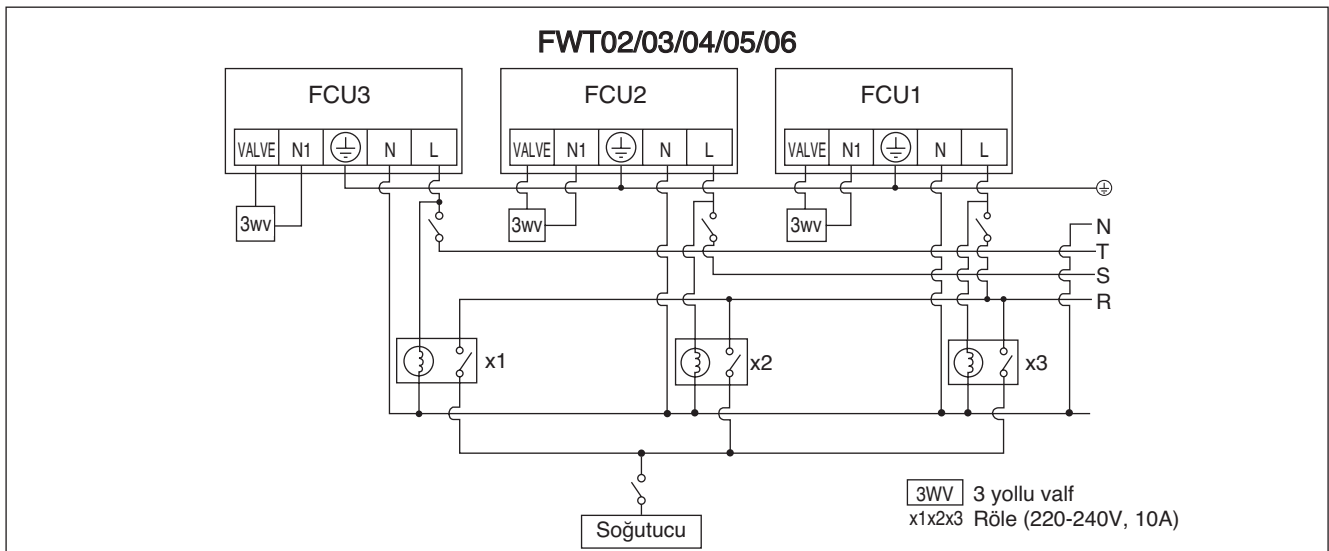
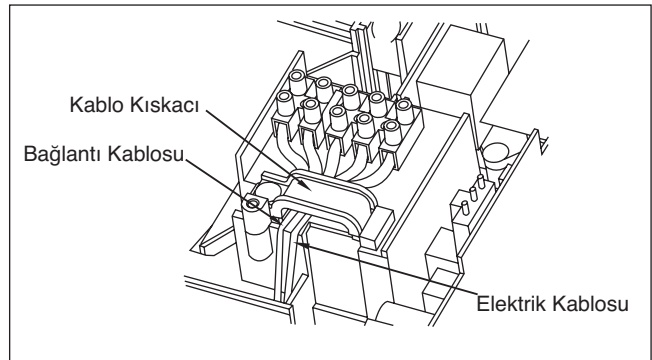
ÖNEMLİ: * Bu değerler yalnızca bilgi içindir. Yerel ve/veya ulusal yönetmelik ve düzenlemeleri uygun olarak kontrol edilmeleri ve seçilmeleri gerekir. Bunlar aynı zamanda kurulum türüne ve kullanılan ileticilerin boyutuna tabiidirler.

** Uygun voltaj aralığı ünite etiket verisinden kontrol edilmelidir.

En az 3mm temas ayırma ile besleme şebekesinde tüm kutuplarda bağlantı kesilmelidir.

Modeller		FWT02/03/04/05/06
Voltaj aralığı**		220V – 240V/1Ph/50Hz + ⊕
Besleme kablosu çapı*	mm²	1,5
Kondüktörlerin sayısı		3
Tavsiye edilen geciktirici sigorta	A	2

- Tüm kablolar sıkıca bağlanmalıdır.
- Bütün kabloların su tesisatı ya da fan motorunun herhangi bir hareketli parçası ile teması engellenmelidir.
- Belgili tanımlık bağlama tel -e doğru belgili tanımlık ev içinde olan birim -meli var olmak mengene üstünde belgili tanımlık tel mengene aynı derecede göstermek içinde belgili tanımlık biçim.
- Enerji kablosu en düşük gereklilik olan H07RN-F 'a eşit olmalı ve koruyucu boru içerisinde kullanılmalıdır.

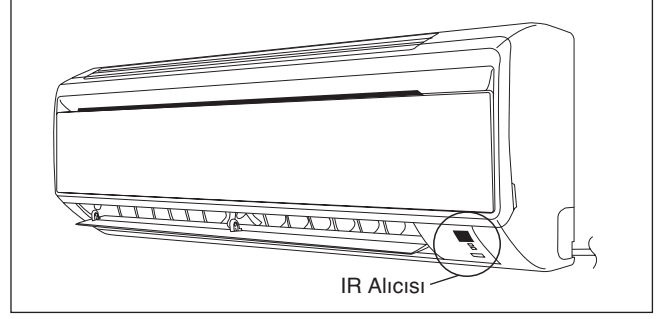


GÖSTERGE LAMBALARI

IR Sinyal Alıcısı

Kızıl ötesi uzaktan kumandayla çalışan sinyal verildiğinde, iç üniteye sinyal alıcı siyan gönderiminin kabulünü doğrulamak için aşağıdaki gibi tepki verecektir.

AÇIKTAN KAPALIYA	1 uzun bip
KAPALIDAN AÇIĞA Aşağı pompala/Soğutucu güç açık	2 kısa bip
Diğer	1 kısa bip

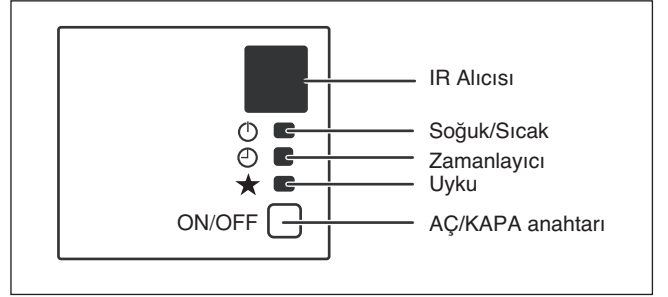


Soğutma Ünitesi/Isı Pompalı Tipler

Aşağıdaki tabloda, klima ünitesinin normal işletim ile arıza durumlarındaki LED gösterge ışıkları yer almaktadır.

LED gösterge ışıkları, klima ünitesinin sağ altında bulunur.

Soğutma Ünitesi LED Gösterge Işıkları/Isı Pompalı Tipler



LED Gösterge Işıkları: Soğutma ve Isı Pompalı Tip İçin Normal İşletim ve Arıza Durumları

★	SOĞUTMA/ISITMA (YEŞİL/KIRMIZI)	⌚	Normal İşletim/Arıza Durumları	Yapılacak İşlem	Hata Kodu
○/●	○ Yeşil		Soğutma modu	-	-
○/●	○ Kırmızı		Isıtma modu	-	-
	○	○	Zamanlayıcı açık	-	-
○	○		Uyku modu açık	-	-
	○		Fan modu açık	-	-
	○		Nem alma modu açık	-	-
	● 1 kez		Oda havası algılayıcı kontağı gevşek/kısa devre	Bayinizi arayınız	Yanıp sönen E1
●	● 2 kez		İç ünite serpantin algılayıcı devresi açık/kısa devre	Bayinizi arayınız	Yanıp sönen E2
		● 3 kez	Borudaki su sıcaklığı düşük	-	Yanıp sönen E4
		● 1 kez	Borudaki su sıcaklığı kötü	-	Yanıp sönen E5
		● 6 kez	Donanım hatası (tact anahtar pininde kısa devre)	Bayinizi arayınız	Yanıp sönen E8
●	● 4 kez		İç fandan geri bildirim yok	Bayinizi arayınız	Yanıp sönen E9

○ AÇIK

○/● AÇIK veya KAPALI

● Yanıp Sönme

KLİMANIN ÇALIŞTIRILMASI

Nem Alma Modu

- Havadaki nem oranı yüksek olduğunda ünite, nem alma modunda çalışabilir. <MODE> düğmesine basın ve <DRY> seçimini yapın.
- Eğer oda sıcaklığı ayarlı sıcaklıktan 2°C/3,6°F daha yüksekse, ayarlı sıcaklık ile oda sıcaklığı arasındaki fark 2°C/3,6°F değerine düşüncüye kadar klima soğutma modunda çalışır, bunun ardından nem alma modunda çalışmaya geçer.
- Eğer oda sıcaklığı ile ayarlı sıcaklık arasındaki fark 2°C/3,6°F değerinden azsa, klima doğrudan nem alma modunda çalışmaya başlar.
- Ünite, nem alma modundayken LOW (düşük) hızda çalışacaktır.

Isıtma Modu (sadece ısı pompalı tip için)

- Ünite soğuk çekiş ayarındayken, iç mekan fanı ancak serpantin arzulan sıcaklığa ulaştığında çalışmaya başlayacaktır.
- Fan modu ayarı olarak, ünite bir kez ON konumuna getirilerek açıldığında iç mekan fanı sürekli olarak çalışacaktır.
- Ayarlı sıcaklığa ulaşıldığında iç ünite fanı, serpantin yeterli sıcaklık sağlayamayacak sıcaklığa gelene kadar çalışacaktır.

Hava Akışı Kontrolü

- Daha etkili bir hava akışı sağlamak için, manüel olarak hava çıkış izgarasını sola veya sağa ayarlayabilirsiniz.
- Soğutma modu ile nem alma modunda, hava çıkış panjuru aşağı bakacak şekilde uzun süre tutmayınız. Eğer bu şekilde çalıştırmaya devam ederseniz, panjur üzerinde yoğunlaşma oluşabilir ve su damlamaya başlayabilir.

Kanatçık ve Panjur Açılımları İle İlgili Notlar

- Ortalama soğutma kapasitesi YÜKSEK fan hızında verilir.
- Ünite ORTA (MEDIUM) ve DÜŞÜK (LOW) fan hızında çalıştığında soğutma kapasitesi düşüktür.

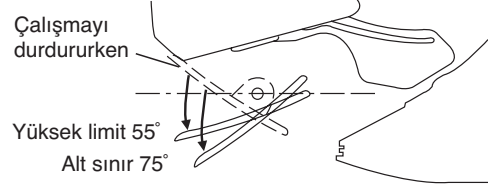
Kanatlar ve Panjur Açılımları Notları

- "SALINIM düğmesi" basıldığında, kanatların salınım aralığı çalışma moduna göre değişir. (bkz. şekil).

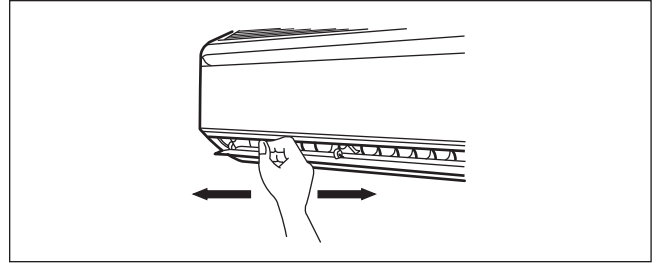
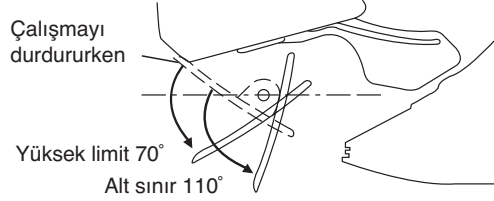
DİKKAT

- Kanatların açısını ayarlamak için her zaman bir uzaktan kumanda kullanın. Salınım yaparken elle güç kullanarak hareket ettirmeye çalışırsanız, mekanizma kırılabilir.
- Panjurları ayarlarken dikkatli olun. Hava çıkışı içinde, bir fan yüksek hızda dönmektedir.

SOĞUK, KURU ve FAN modunda



SICAK modda



ÇALIŞMA ARALIĞI

Çalıştırma Sınırları:

Isı taşıyıcı : Su

Su sıcaklığı : 4-10°C Soğutma , 35-50°C Isıtma

Maksimum su basıncı : 16 bar

Hava sıcaklığı : (aşağıdaki gibi)

Soğutma Modu

Sıcaklık	Ts °C/°F	Th °C/°F
Asgari iç mekan sıcaklığı	19,0 / 66,2	14,0 / 57,2
Azami iç mekan sıcaklığı	32,0 / 89,6	23,0 / 73,4

Isıtma Modu

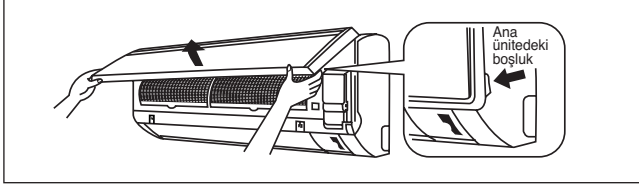
Sıcaklık	Ts °C/°F	Th °C/°F
Asgari iç mekan sıcaklığı	15,0 / 59,0	-
Azami iç mekan sıcaklığı	27,0 / 80,6	-

Ts: Kuru termometre sıcaklığı. Th: Islak termometre sıcaklığı.

HAVA FİLTRESİ

1. Ön paneli açın.

- Paneli ana üniteye bağlı boşluklardan tutun (sağ ve sol tarafta iki aralık) ve durana kadar yukarı kaldırın.



2. Hava filtrelerini dışarı çekin.

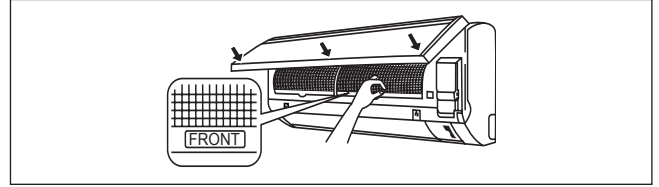
- Her hava filtresinin ortasındaki sekmeyi hafifçe yukarı ittirin, sonra aşağı geri çekin.

3. Her filtreyi temizleyin veya değiştirin.

- Kalan suyu çalkalarken, filtreyi bükmeyin.

4. Hava filtresini eskisi gibi yerine yerleştirin ve ön paneli kapatın.

- Filtrelerin tırnaklarını ön panelin yuvalarına yerleştirin. Ön paneli yavaşça kapayın ve paneli 3 noktadan ittirin. (her iki tarafta 1'er tane ve ortada 1 tane.)
- Hava filtresi yatay konumda simetrik bir şekilde sahiptir.



SERVİS VE BAKIM

Servis Parçaları	Bakım Prosedürleri
İç ünite hava filtresi	<ol style="list-style-type: none">Filtreye yapışmış olan tozları bir elektrikli süpürge yardımıyla veya ılık suda (40°C/104°F sıcaklığın altında), nötr bir temizlik deterjanı ile yıkayarak temizleyiniz.Filtreyi iyice durulayın ve üniteye takmadan önce kurutun.Filtreyi temizlemek için benzin, uçucu maddeler veya kimyasallar kullanmayın.
İç mekan ünitesi	<ol style="list-style-type: none">Izgara veya panel üzerindeki kirleri veya tozu, ılık su (40°C/104°F sıcaklığın altında) ve nötr bir temizlik deterjanına batırılmış yumuşak bir bez ile silerek temizleyiniz.İç üniteyi temizlemek için benzin, uçucu maddeler veya kimyasallar kullanmayınız.

1. Ön paneli açın.

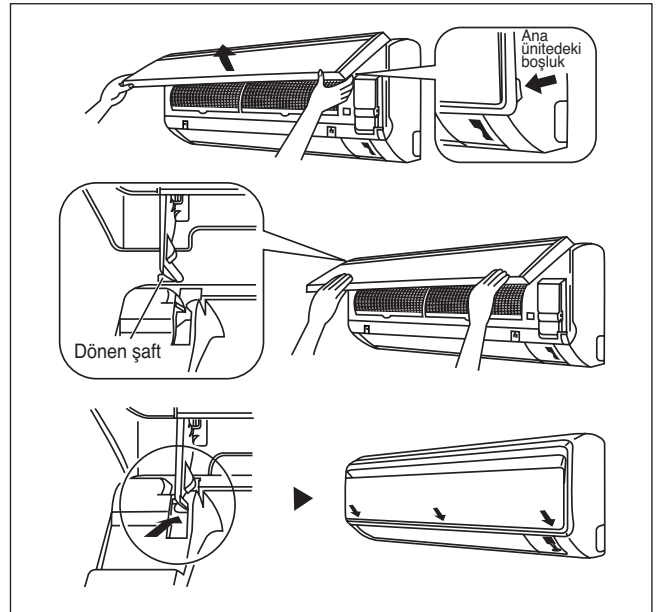
- Paneli ana üniteye bağlı boşluklardan tutun (sağ ve sol tarafta iki aralık) ve durana kadar yukarı kaldırın.

2. Ön paneli çıkarın.

- Ön paneli daha ileri kaldırırken, sağa doğru kaydırın ve ön tarafa doğru çekin. Dönen sol şaft çıkar. Dönen şaftı sola doğru döndürün ve çıkarmak için ön tarafa çekin.

3. Ön paneli takın.

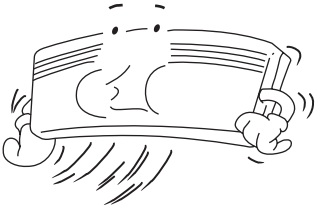
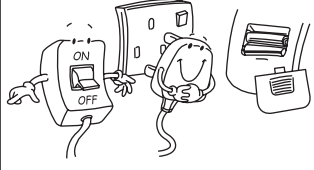
- Ön panelin sağ ve sol dönen şaftlarını dişlilerle eşleştirin ve sonuna kadar içeri ittirin.
- Ön paneli nazikçe kapatın. (Her iki ucu ve orta kısmı ön panele ittirin.)



⚠ DİKKAT

- İç ünitenin metal parçalarına dokunmayın. Yaralanmaya sebep olabilir.
- Ön paneli takarken veya çıkarırken, düşmesini engellemek için paneli elle sıkıca destekleyin.
- Temizlik için, 40°C üstündeki sıcak suları, benzin, gazolin, tiner, veya diğer uçucu yağları, parlaticı bileşimleri, ovalama fırçalarını ve diğer el malzemelerini kullanmayın.
- Temizlikten sonra, ön panelin tamamen sabit olduğundan emin olun.

Ünite Uzun bir Süre Kullanılmayacağı Zaman

<p>Üniteyi aşağıdaki ayarda 2 saat boyunca çalıştırınız.</p> <p>Çalışma modu : soğutma Sıcaklık : 30°C/86°F</p>		<p>Elektrik kablosunu çıkarınız. Eğer ünitenin bağımsız bir elektrik devresinden besleniyorsa, üniteyi devreden çıkarınız. Uzaktan kumandanın pillerini çıkarınız.</p>	
---	---	--	---

SORUN GİDERMELİ

Yedek parçalarla ilgili sorularınız için lütfen yetkili bayi ile görüşün. Eğer klima ünitesinde herhangi bir arıza fark ederseniz, derhal üniteye giden elektriği kesiniz. Sorun gidermekle ilgili bazı basit ipuçlarını okumak için aşağıdaki arıza durumlarını ve ilgili nedenleri okuyunuz.

Arıza	Nedenler / Eylem
1. Klima birimi çalışmıyor.	<ul style="list-style-type: none">– Elektrik kesik veya sigortanın değiştirilmesi gerekiyor.– Elektrik kablosu takılı değil.– Geciktirme zamanlayıcınız yanlış ayarlanmış olabilir.– Bütün bu kontrollerden sonra arıza devam ederse, lütfen klima montaj elemanı ile iletişim kurun.
2. Hava akışı çok düşük.	<ul style="list-style-type: none">– Hava filtresi kirlidir.– Kapı veya pencereler açıktır.– Hava giriş ve çıkış kısımları tıkalı.– Sirküle edilen sıcaklık yeterince yüksek değil.
3. Hava çıkışında kötü bir koku var.	<ul style="list-style-type: none">– Serpantine yapışmış olabilecek sigaralar, duman parçacıkları, parfüm vs. kokuya neden olabilir.
4. İç ünitenin ön hava ızgarasının üzerinde yoğunlaşma var.	<ul style="list-style-type: none">– Ünite uzun bir çalıştıktan sonra havadaki nem buna neden olur.– Ayarlı sıcaklık çok düşüktür, sıcaklık ayarını artırınız ve üniteyi yüksek fan hızında çalıştırınız.
5. Klimadan dışarı su akıyor.	<ul style="list-style-type: none">– Üniteyi kapatın ve satıcıyı çağırın.

Eğer arıza devam ederse, lütfen yerel bayinizi / servis elemanını çağırınız.

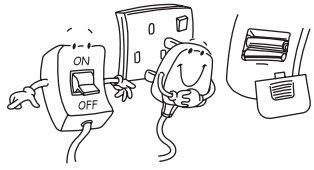

**MEMO / MITTEILUNG / LE MÉMO / MEMO / PROMEMORIA /
EL MEMORÁNDUM / ΣΗΜΕΙΩΜΑ / MEMO / ПАМЯТКА / ПОТ**

- In the event that there is any conflict in the interpretation of this manual and any translation of the same in any language, the English version of this manual shall prevail.
- The manufacturer reserves the right to revise any of the specification and design contain herein at any time without prior notification.
- Im Falle einer widersprüchlichen Auslegung der vorliegenden Anleitung bzw. einer ihrer Übersetzungen gilt die Ausführung in Englisch.
- Änderungen von Design und technischen Merkmalen der in dieser Anleitung beschriebenen Geräte bleiben dem Hersteller jederzeit vorbehalten.
- En cas de désaccord sur l'interprétation de ce manuel ou une de ses traductions, la version anglaise fera autorité.
- Le fabriquant se réserve le droit de modifier à tout moment et sans préavis la conception et les caractéristiques techniques des appareils présentés dans ce manuel.
- In het geval dat een versie van deze handleiding in vertaling anders kan worden geïnterpreteerd dan de Engelse versie, geldt de Engelse versie.
- De fabrikant behoudt zich het recht voor specificaties en ontwerpkenmerken die in dezes worden vermeld, te allen tijde te herzien zonder voorafgaande kennisgeving.
- En caso de conflicto en la interpretación de este manual, y en su traducción a cualquier idioma, prevalecerá la versión inglesa.
- El fabricante se reserva el derecho a modificar cualquiera de las especificaciones y diseños contenidos en el presente manual en cualquier momento y sin notificación previa.
- Nel caso ci fossero conflitti nell'interpretazione di questo manuale o delle sue stesse traduzioni in altre lingue, la versione in lingua inglese prevale.
- Il fabbricante mantiene il diritto di cambiare qualsiasi specificazione e disegno contenuti qui senza precedente notifica.
- Σε περίπτωση διαφορών μεταξύ του εγχειριδίου αυτού και τυχόν μετάφρασής του σε οποιαδήποτε γλώσσα, υπερισχύει η Αγγλική έκδοση αυτού του εγχειριδίου.
- Ο κατασκευαστής διατηρεί το δικαίωμα αναθεώρησης των προδιαγραφών και σχεδίων που περιέχονται στο παρόν οποιαδήποτε στιγμή χωρίς προηγούμενη ειδοποίηση.
- A versão em inglês do Manual prevalecerá na eventualidade de qualquer conflito na interpretação deste Manual e de qualquer tradução do mesmo.
- O fabricante reserva-se o direito de rever qualquer uma das especificações e concepção/design aqui contido a qualquer altura sem aviso prévio.
- В случае противоречия перевода данного руководства с другими переводами одного и того же текста, английский вариант рассматривается как приоритетный.
- Завод-изготовитель оставляет за собой право изменять характеристики и конструкцию в любое время без предварительного уведомления.
- Bu kılavuzun anlaşılmasında bir çatışma olduğunda ve farklı dillerdeki tercümelemler farklılık gösterdiğinde, bu kılavuzun İngilizce sürümü üstün tutulacaktır.
- Üretici burada bulunan herhangi teknik özellikleri ve tasarımları herhangi bir zamanda ve önceden haber vermeden değiştirme hakkını saklı tutar.

- اذا حدث اي تعارض في تفسير هذا الكتيب واي اختلاف في الترجمة نفسها بأية لغة كانت. تكون النسخة الانكليزية هي السائدة.
- يحتفظ المصنع بحق تعديل التصميم واية مواصفات موجودة هنا في اي وقت من دون إشعار مسبق.

مذكرة

عند عدم استخدام الوحدة لفترة طويلة من الزمن

	<p>ارفع قابس التيار. اذا كنت تستخدم دائرة كهربائية مستقلة للوحدة. افصل الدائرة. ارفع البطاريات من موجه التحكم عن بعد.</p>		<p>شغّل الوحدة لمدة ساعتين بواسطة التهيئة التالية. وضع التشغيل: تبريد درجة الحرارة: 30°م</p>
---	---	--	---

دليل التحري عن الخلل واصلاحه

من اجل المعلومات حول قطع الاحتياط يرجى الاتصال بالوكيل المرخص. اذا لاحظت اي اختلال في عمل وحدة مكيفة الهواء، فوراً اوقف التزود بالتيار للوحدة. افحص الحالات والاسباب التالية لبعض التلميحات المفيدة لدليل التحري عن الخلل واصلاحه.

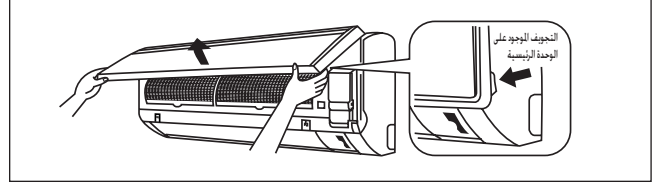
الاسباب/الفعال	العيب
<ul style="list-style-type: none"> - قصور في التيار، او الفاصمة بحاجة الى الاستبدال. - قابس التيار مفصول. - من المحتمل ضبط مؤقت التأخير بصورة خاطئة. - اذا استمر الاختلال بعد كل هذه التحقيقات، يرجى الاتصال بالشخص المختص بتركيب وحدة مكيفة الهواء. 	<p>1. لا تشتغل وحدة مكيفة الهواء.</p>
<ul style="list-style-type: none"> - اتساخ مرشح الهواء. - الأبواب او النوافذ مفتوحة. - يوجد عائق امام تفرغ وتصريف الهواء. - تنظيم درجة الحرارة ليس عالياً بدرجة كافية. 	<p>2. انسياب الهواء منخفض جداً.</p>
<ul style="list-style-type: none"> - قد تكون الروائح بسبب السجائر، او ذرات الدخان، او العطور... الخ. والتي قد تلتصق على الملف. 	<p>3. الهواء المفرغ المنساب يحتوي على رائحة كريهة.</p>
<ul style="list-style-type: none"> - هذا بسبب رطوبة الهواء بعد فترة طويلة من الاستخدام. - درجة الحرارة المضبوطة منخفضة جداً، قم بزيادة تهيئة درجة الحرارة وشغّل الوحدة على المروحة بسرعة عالية. 	<p>4. التكاثر على شبكة الهواء الامامية للوحدة الداخلية.</p>
<ul style="list-style-type: none"> - اوقف تشغيل الوحدة واتصل بالوكيل. 	<p>5. يتدفق الماء من وحدة مكيفة الهواء.</p>

اذا استمر الاختلال، يرجى الاتصال بوكيلك المحلي/او بالشخص المختص بالصيانة.

مرشح الهواء

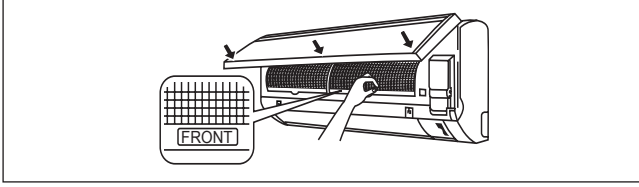
1. افتح اللوحة الامامية

- امسك اللوحة من التجاويف الموجودة على الوحدة الرئيسية (2) تجويف على الجانب الايسر واليمين) وارفع اللوحة حتى تتوقف.



2. اسحب مرشحات الهواء للخارج.

- ادفع اللسان الموجود في مركز كل مرشح بصورة قليلة للاعلى. وبعد ذلك اسحبه للاسفل.



3. نظف او بدل كل مرشح.

- عند نفض الماء المتبقي على المرشح. لا تعصر المرشح.

4. اضبط مرشح الهواء كما كان واغلق اللوحة الامامية.

- ادخل مخالب المرشحات داخل شقوق اللوحة الامامية. اغلق اللوحة الامامية ببطئ وادفع اللوحة في الـ 3 نقاط (1) على كل جانب و 1 في المنتصف).
- يمتلك مرشح الهواء شكل متناسق بالاتجاه الافقي.

التصليح والصيانة

اقسام الصيانة	اجراءات الصيانة
مرشح الهواء الداخلي	<ol style="list-style-type: none"> 1. ازل اي غبار ملتصق بالمرشح باستعمال مكنسة كهربائية او نظّفه بماء دافئ قليلاً (اقل من 40°م) مع محلول تنظيف متعادل. 2. اشطف المرشح جيداً وجفّفه قبل اعاده وضعه في داخل الوحدة. 3. لاتستعمل الكازولين، او المواد الطيارة او الكيماوية لتنظيف المرشح.
الوحدة الداخلية	<ol style="list-style-type: none"> 1. نظّف اية اوساخ او غبار يوجد على الشبكة او اللوحة بمسحه بقطعة قماش ناعمة منقوعة بماء دافئ قليلاً (اقل من 40°م) مع محلول تنظيف متعادل. 2. لاتستعمل الكازولين او المواد الطيارة او الكيماوية لتنظيف الوحدة الداخلية.

1. افتح اللوحة الامامية.

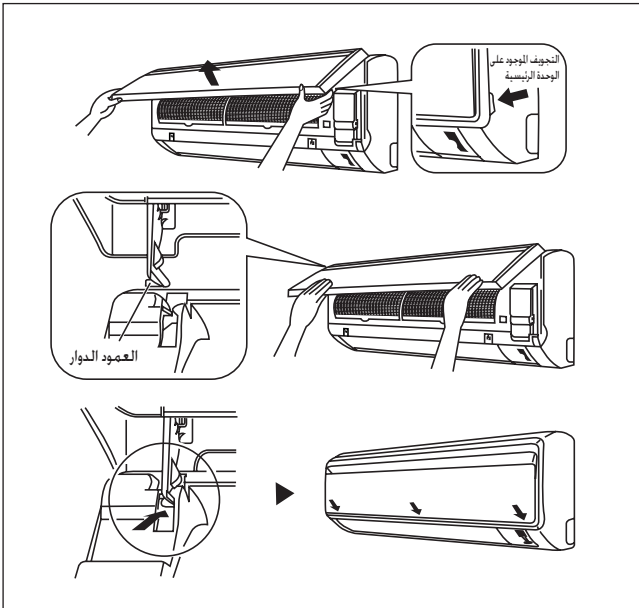
- امسك اللوحة من التجاويف الموجودة على الوحدة الرئيسية (2) تجويف على الجانب الايسر واليمين) وارفع اللوحة حتى تتوقف.

2. انزع اللوحة الامامية.

- اثناء رفع اللوحة الامامية اكثر، ازلها الى جهة اليمين واسحبها الى الجانب الامامي. ييم فصل العمود الدوار الايسر. ازل العمود الدوار الايمن لجهة اليسار واسحبه لجهة الامام لنزعه.

3. ركب اللوحة الامامية.

- وازن العمود الدوار الايسر والايمن للوحة الامامية مع البروز وادفعهم للداخل.
- اغلق اللوحة الامامية بلطافة. (ادفع كلا الطرفين والمركز على اللوحة الامامية).



⚠ تنبيه

- لا تلمس الاجزاء المعدنية من الوحدة الداخلية. يمكن ان يسبب ذلك جروحاً.
- عند نزع او تركيب اللوحة الامامية، ادم اللوحة بصورة آمنة بواسطة اليد وذلك لمنع سقوط اللوحة.
- للتنظيف، لا تستعمل ماء ساخن بدرجة حرارة اكثر من 40 درجة مئوية، ولا تستعمل البنزين، والكازوالثنر، ولا تستعمل الزيوت المتطاهرة، ومركبات التلميع، وفراشي الخدش، او مواد تنظيف الايدي.
- بعد التنظيف، تأكد من ان اللوحة الامامية مثبتة بصورة آمنة.

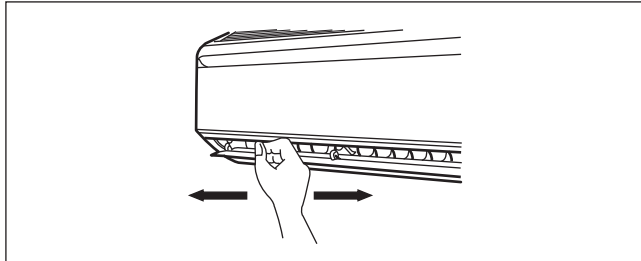
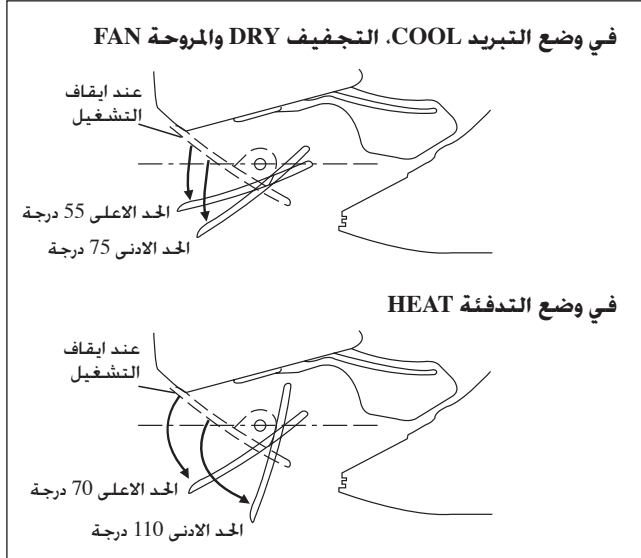
تشغيل وحدة مكيفة الهواء

ملاحظات حول قلابات الهواء وزوايا شقوق التهوية

- عندما يتم اختيار زر تارجح الهواء "SWING button"، يعتمد مدى تارجح قلابات الهواء على وضع التشغيل. (انظر الشكل).

تنبيه

- استعمل دائما وحدة التحكم عن بعد لضبط زاوية قلابات الهواء. اذا حاولت تحريكها بواسطة اليد بصورة قسرية اثناء تارجحها، فانه يمكن ان يحصل كسر في آلية تحريك قلابات الهواء.
- انتبه عند ضبط شقوق التهوية، يوجد داخل مخرج الهواء مروحة دوارة بسرعة عالية.



الوضع الجاف

- عندما تكون الرطوبة عالية في الجو، يمكن تشغيل الوحدة بالوضع الجاف. اضغط زر <MODE> واختر <DRY>.
- اذا كانت درجة حرارة الغرفة اعلى بدرجتين 2 درجة مئوية من الدرجة المضبوطة، سوف تشتغل مكيفة الهواء تحت وضع التبريد الى ان تصل ضمن 2 درجة مئوية من مدى الاختلاف بالمقارنة الى الدرجة المضبوطة قبل التحول الى الوضع الجاف.
- اذا كانت درجة حرارة الغرفة ضمن 2 درجة مئوية من مدى الاختلاف بالمقارنة الى الدرجة المضبوطة، سوف تشتغل مباشرة تحت الوضع الجاف.
- سوف تشتغل الوحدة بسرعة LOW تحت الوضع الجاف.

وضع التدفئة (لوحة ضخ التدفئة فقط)

- عندما تكون الوحدة على ضبط تنظيم التبريد، سوف تبدأ المروحة الداخلية بالتشغيل فقط بعد ان يصل الملف لدرجة الحرارة المطلوبة.
- لضبط وضع المروحة، سوف تشتغل المروحة الداخلية باستمرار عند تشغيل الوحدة ON.
- عند الوصول الى الدرجة المضبوطة، سوف تشتغل المروحة الداخلية حين عدم تمكن الملف من التزويد باية تدفئة اضافية.

التحكم بانسياب الهواء

- لزيادة فعالية دوران الهواء، يمكنك ضبط شبكية الهواء المفرغ باليد لليسار او لليمين.
- اثناء تشغيل وضع التبريد وتشغيل الوضع الجاف، لاتوجه شق تصريف الهواء نحو الاسفل لمدة طويلة جداً. اذا استمر التشغيل بهذه الطريقة، قد يحدث تكاثف على الشق، هذا بسبب التقطير.

سرعة المروحة والسعة المقدرة للتبريد

- يتم التزويد بالسرعة المقدرة للتبريد عند السرعة العالية HIGH للمروحة.
- سوف تنخفض سعة التبريد عند تشغيل الوحدة بسرعة MEDIUM و LOW للمروحة.

مدى التشغيل

حدود التشغيل:

- الناقل الحراري: الماء
- درجة حرارة الماء: 4 ~ 10 درجة مئوية التبريد، 35 ~ 50 درجة مئوية التدفئة
- ضغط الماء الاقصى: 16 بار
- درجة حرارة الهواء: (كما في الاسفل)

وحدة التدفئة

Th °C/°F	Ts °C/°F	درجة الحرارة
-	15.0 / 59.0	الحد الأدنى لدرجة الحرارة الداخلية
-	27.0 / 80.6	الحد الأقصى لدرجة الحرارة الداخلية

وحدة التبريد

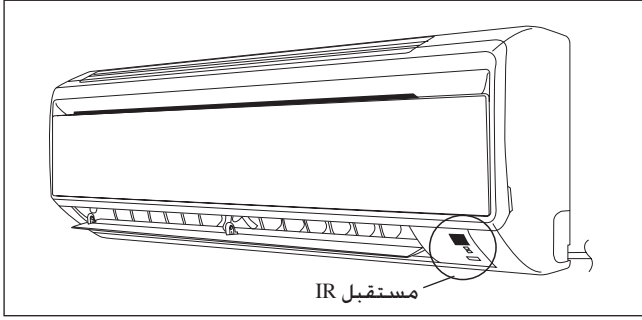
Th °C/°F	Ts °C/°F	درجة الحرارة
14.0 / 57.2	19.0 / 66.2	الحد الأدنى لدرجة الحرارة الداخلية
23.0 / 73.4	32.0 / 89.6	الحد الأقصى لدرجة الحرارة الداخلية

Ts : درجة حرارة البصيلة الجافة Th : درجة حرارة البصيلة الرطبة

اضواء المؤشر

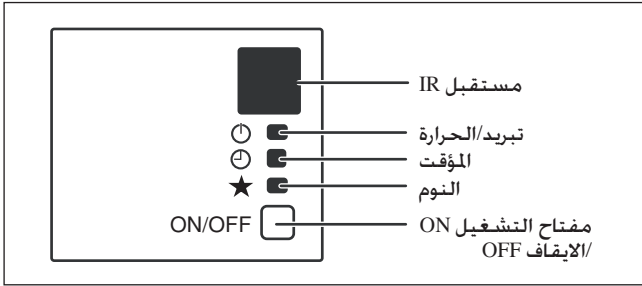
مستقبل اشارة IR

عندما يتم ارسال اشارة التحكم عن بعد تحت الحمراء، سوف يستجيب مستقبل الاشارة الموجود على الوحدة الداخلية كما هو مبين في الاسفل لتأكيد قبول ارسال الاشارة.



1 صوت بيب طويل	تشغيل ON الى ايقاف OFF
2 صوت بيب قصير	ايقاف OFF الى تشغيل ON ضج للاسفل/تشغيل قوة التبريد
1 صوت بيب قصير	اخرى

اضواء مؤشر LED لوحدة التبريد/وحدة ضخ التدفئة



وحدة التبريد/وحدة ضخ التدفئة

يعرض الجدول اضواء مؤشر LED لوحدة مكيفة الهواء تحت حالات التشغيل العادي والخطائي.
يضيء المؤشر LED الموجود على جانب وحدة مكيف الهواء.

اضواء مؤشر LED: حالات التشغيل العادي والخطائي لوحدة التبريد / وحدة ضخ التدفئة

كود الخطأ	التصرف	اشارة التشغيل/ الخطأ			
				تبريد/تدفئة (اخضر/ احمر)	
-	-	وضع التبريد		○ اخضر	○/●
-	-	وضع الحرارة.		○ احمر	○/●
-	-	تشغيل المؤقت	○	○	
-	-	تشغيل وضع النوم		○	○
-	-	تشغيل وضع المروحة		○	
-	-	تشغيل الوضع الجاف		○	
E1	اتصل بوكيلك	اتصال متحسس هواء الغرفة مرتخي/ ناقص اتصل بوكيلك		● مرة	
E2	اتصل بوكيلك	فتح متحسس الملف الداخلي/ قصير		● 2 مرات	●
E4	-	درجة حرارة ماء الانبوب ضعيفة	● 3 مرات		
E5	-	درجة حرارة ماء الانبوب رديئة	● مرة		
E8	اتصل بوكيلك	وجود خطأ بالمعدات (دبوس المفتاح التكتيكي قصير)	● 6 مرات		
E9	اتصل بوكيلك	لا يوجد تغذية مرتدة من المروحة الداخلية		● 4 مرات	●

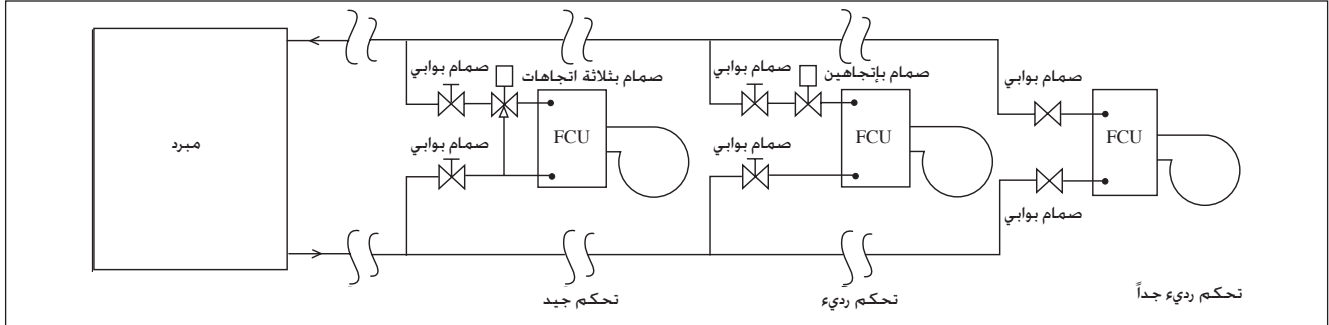
● تومض

○/● ON او OFF

○ ON

توصيل انابيب الماء

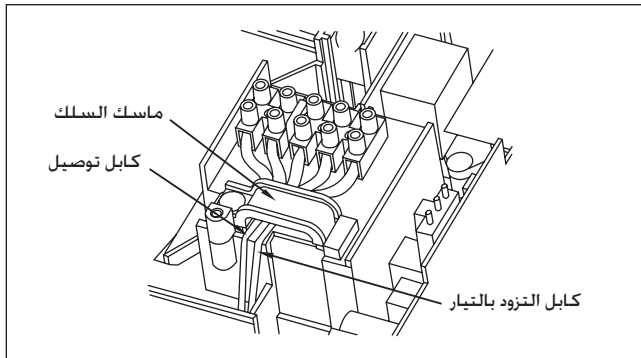
الوحدة الداخلية مزودة بوحدة مخرج ومدخل مسننة للماء. يوجد فتحة - هواء على الوصلة من اجل تطهير الهواء موجودة على راس مخرج الماء. مطلوب صمام ملف لولبي 3 اتجاه من اجل دوران او تمرير الماء المبرد. يوصي باستعمال الانبوب المعدني الاسود. وانبوب البوليثين وانبوب PVC والانبوب النحاسي عند التركيب في الموقع. يجب عزل كل انواع الانابيب والوصلات بمادة البوليثين (نوع ARMAFLEX او ما شابه) وذلك من اجل تجنب تكاثف الماء لا نستعمل انابيب وتجهيزات ملوثة او متضررة للتركيب. هناك حاجة لبعض التجهيزات في النظام لتعزيز قدرة وسهولة الخدمة. مثل صمام العبور. صمام المعادلة. صمام ملف لولبي 2 اتجاه او 3 اتجاه. مرشح. مصفاة. الخ.



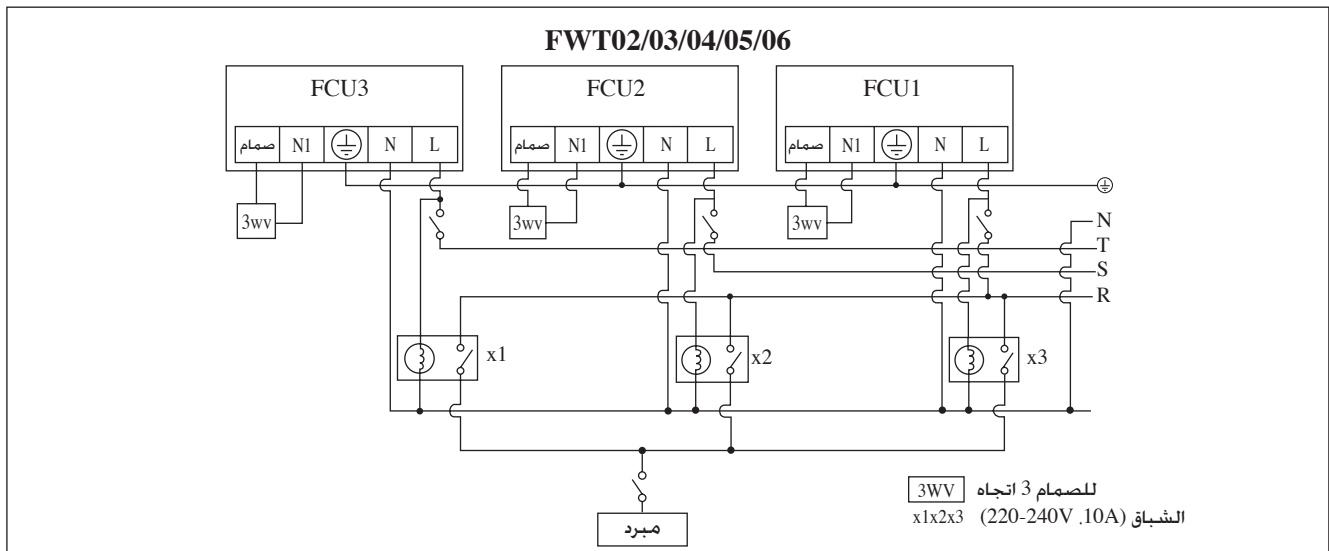
توصيل الاسلاك الكهربائية

هام : * ان هذه القيم لغرض الاطلاع فقط. يجب فحصها واختيارها بحيث تتوافق مع الشفرات المحلية المألوفة. هذا أيضاً يعتمد على نوع التركيب وحجم الموصلات المستعملة. * يجب فحص مدى الفولطية المناسب مع معطيات العلامة الموجودة على الوحدة. يجب أن يكون هناك فصل قطب كلي في مصدر الطاقة الكهربائية الرئيس مع فصل تلامس على الأقل 3 مم.

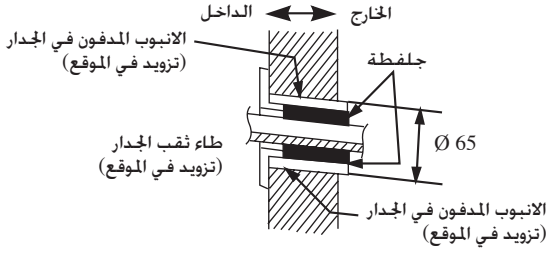
طراز	FWT02/03/04/05/06
مدى الفولطية**	220V – 240V/1Ph/50Hz + ⊕
حجم كابل التزود بالتيار* عدد الموصلات	1.5 3
الفاصلة الموصى بها	2
	مم ²
	A



- يجب توصيل كافة الاسلاك باحكام.
- يجب ان لاتلامس الاسلاك انابيب مادة التبريد. او الضاغطة او اية اجزاء متحركة لمحرك المروحة.
- يجب شد اسلاك التوصيل ما بين الوحدة الداخلية والوحدة الخارجية بماسك الاسلاك كما هو موضح في الرسم.
- يجب ان يكون سلك تزويد الطاقة الكهربائية معادلاً الى H07RN-F وهذا هو المتطلب الادنى. ويجب استعماله داخل انبوب حماية.



فتحة مع مثقاب مخروطي



تثبيت الوحدة على لوحة التركيب

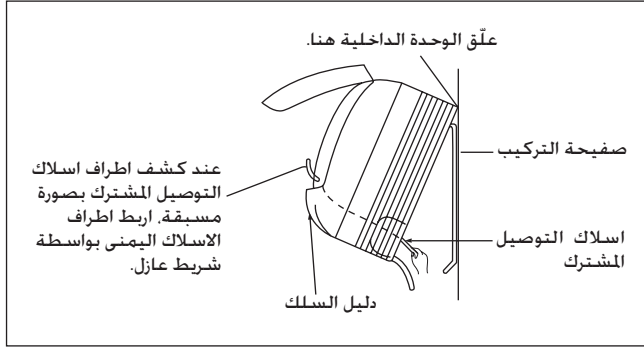
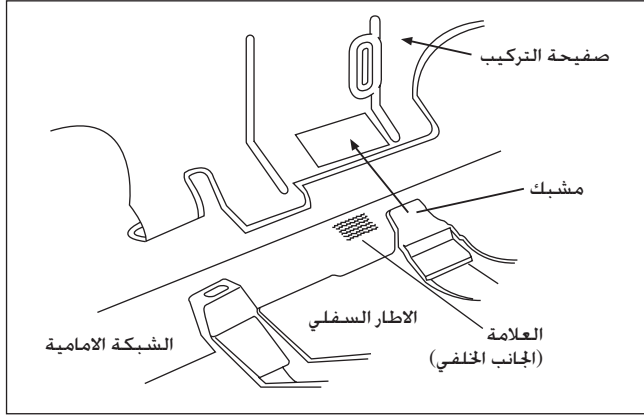
تثبت الوحدة الداخلية على القسم العلوي للوحة التركيب (اربط الكلابين في اعلى مؤخرة الوحدة الداخلية مع الحافة العلوية للوحة التركيب). تأكد من تثبيت الكلابين بصورة صحيحة على لوحة التركيب بواسطة تحريكهما ليسار وليمين.

كيفية تركيب الوحدة الداخلية

علّق مخالب الاطار السفلية على صفحة التركيب.

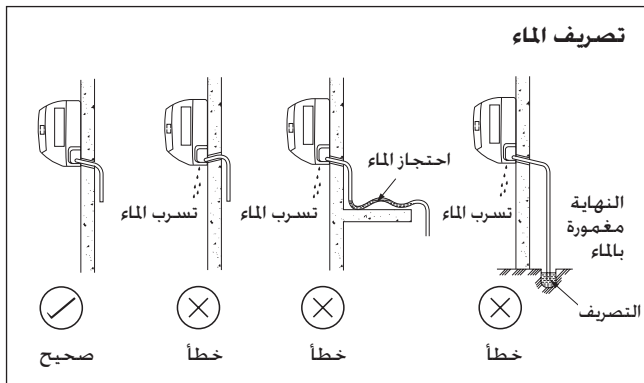
كيفية نزع الوحدة الداخلية

ادفع المنطقة المؤشرة (في القسم السفلي من الشبكة الامامية) لتحرير الخالب.



أنايب تصريف الماء

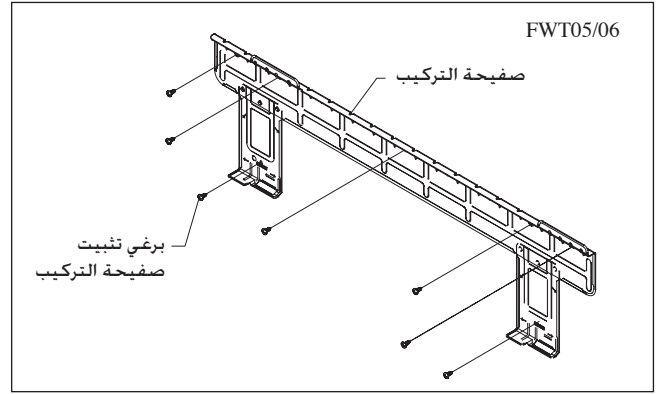
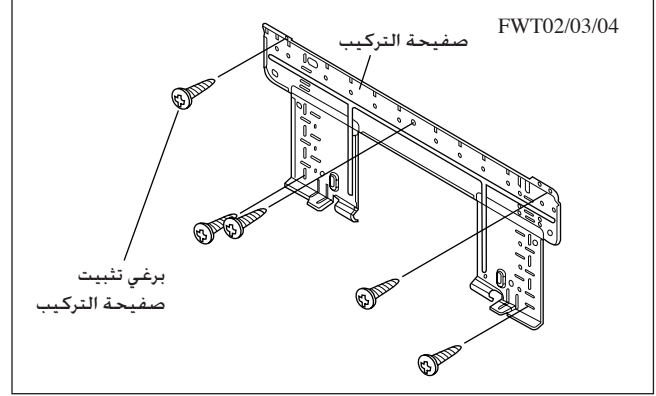
يجب ان تكون انابيب التصريف الداخلية بشكل المنحني النازل للتصريف السهل. تجنب الأوضاع التي يحتمل فيها تسرب الماء.



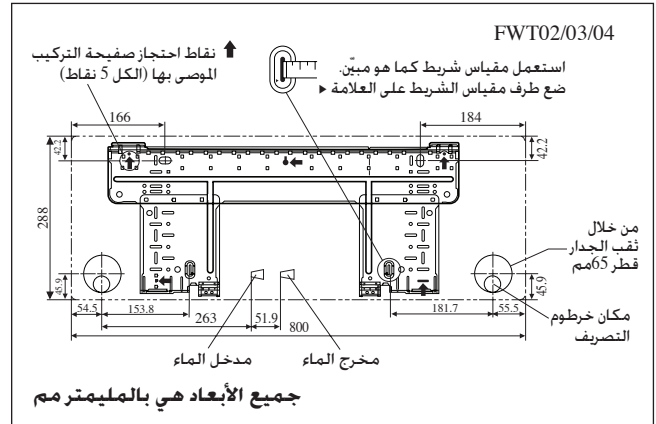
لوحة تثبيت التركيب

تأكد من القوة الكافية للجدار بحيث يتحمل وزن الوحدة. بطريقة اخرى. من الضروري تقوية الجدار بواسطة اللوحات. او الدعامات أو القوائم. استخدم مقياس المستوى للتثبيت الأفقي. وقم بتثبيتها بواسطة 5 مسامير مناسبة للوحدة FWT02/03/04 و 7 مسامير مناسبة للوحدة FWT05/06.

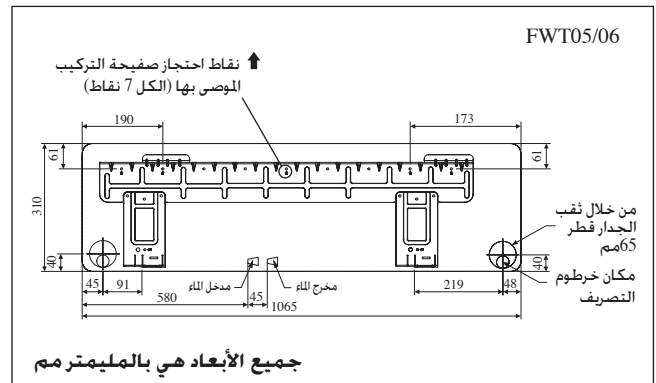
في حالة سحب الانابيب الخلفية للخارج. اثقب فتحة بنصف قطر 65مم بواسطة مثقاب مخروطي. برفق اخفضه على الجدار الخارجي (انظر الشكل).



نقاط احتجاز صفحة التركيب الموصى بها والابعاد

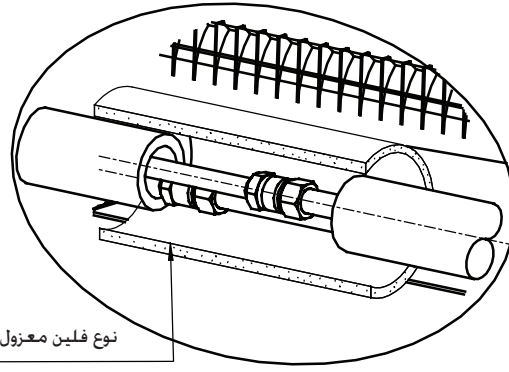


جميع الأبعاد هي بالمليمتر مم



جميع الأبعاد هي بالمليمتر مم

مخطط التركيب



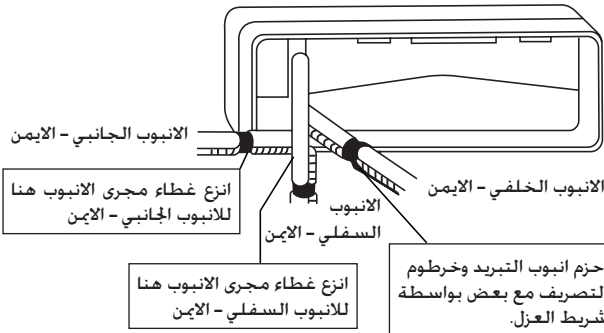
عزل من بداية الى نهاية انبوب الماء المبرد

تركيب الوحدة الداخلية

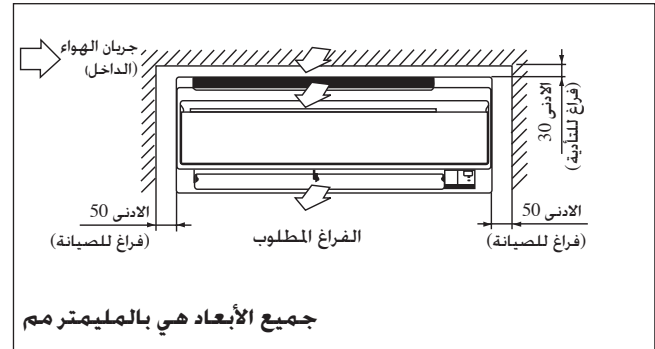
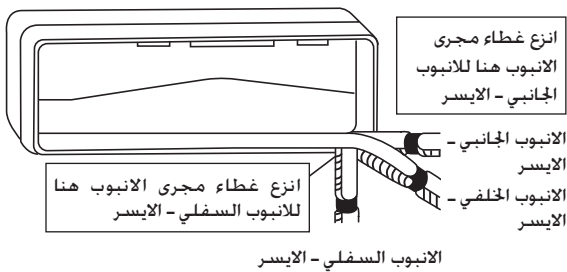
يمكن تمرير شبكة انابيب الماء الى الوحدة في عدة طرق. (اليسار او اليمين من الجهة الخلفية للوحدة). باستخدام الثقوب المقطوعة الموجودة على غطاء الوحدة (أنظر الشكل). قم بثني الأنابيب بحذر الى الموضع المطلوب لكي تتم محاذاتها مع الثقوب. للجانب والأسفل الخارجي. امسك أسفل شبكة الأنابيب ومن ثم وجه على الاتجاه المطلوب (أنظر الشكل). يمكن شد أنبوب تصريف التكاثف الى الأنابيب.

يجب تركيب الوحدة الداخلية بمثل هذه الطريقة لمنع قصر الدائرة للهواء المفرغ البارد مع الهواء الحار الرر الراجع. يرجى اتباع المسافة الفارغة للتركيب الموضحة في الرسم. يجب عدم وضع الوحدة الداخلية في مكان معرض لاشعة الشمس القوية. ايضاً، ان يكون الموقع مناسب للأنابيب والتصريف. وبعيداً عن الأبواب او النوافذ.

أنابيب الجانب - الأيمن، الخلفي - الأيمن او الأسفل - الأيمن



أنابيب الجانب - الأيسر، الخلفي - الأيسر او الأسفل - الأيسر

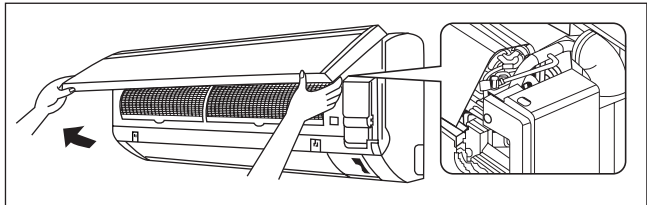


تنبيه

لا تركيب الوحدة على ارتفاع أكثر من 2000م لكلا من الداخل والخارج.

تنقية الهواء

لمنع ضرر المضخة، يجب أن لا تكون وحدة ملف المروحة منشطة ملف وتم تفرغ كل خطوط الماء من الهواء



فتحة الهواء موجودة داخل الغلاف. انزع الغلاف وأوصل الخرطوم مع فتحة الهواء أثناء تفرغ الهواء.

تنبيه

تأكد من عدم وجود قطرات ماء داخل صندوق التحكم أثناء عملية تفرغ الهواء.

كتيب التركيب

يزودك هذا الكتيب بطرق التركيب لضمان التشغيل العادي الجيد والمأمون لوحدة مكيفة الهواء. قد يكون من الضروري إجراء ضبط خاص لكي يلائم متطلباتك.

قبل استعمال مكيفة الهواء، يرجى قراءة كتيب التعليمات هذا بعناية والاحتفاظ به للمرجعة في المستقبل. هذا الجهاز معد للاستعمال من قبل مستعملين ذوي خبرة ومدربين في المتاجر، في المصانع والمزارع الصغيرة، أو للاستعمال التجاري من قبل أشخاص معينين.

هذا الجهاز غير مصمم للاستعمال من قبل الأشخاص، بما في ذلك الأطفال، الذين لديهم نقص أو عاقبة في قدراتهم الجسدية أو الحسية أو العقلية أو نقص في الخبرة والمعرفة بتشغيل الجهاز، إلا إذا تم الإشراف عليهم أو إعطائهم التعليمات المتعلقة باستعمال الجهاز من قبل شخص مسؤول عن سلامتهم.

يجب الإشراف على الأطفال لضمان عدم عبثهم بالجهاز.

احتياطات الأمان

⚠️ تنبيه

- يرجى ملاحظة النقاط المهمة التالية عند النصب.
- تأكد من توصيل أنابيب التصريف بصورة صحيحة.
- إذا لم يتم توصيل أنابيب التصريف بصورة صحيحة، سوف يتسرب الماء الذي يؤدي إلى ترطب الأثاث.
- تأكد من غلق لوحة الوحدة بعد إجراء الصيانة أو النصب.
- يؤدي عدم غلق اللوحات بأحكام بالوحدة إلى التشغيل المصحوب بالضوضاء.
- حافات حادة و أسطح ملتفة في مواقع كامنة والتي تسبب مخاطر الجروح.
- تجنب من الاحتكاك بهذه الأماكن.
- قبل فصل مصدر تزويد الطاقة الكهربائية، اضبط مفتاح التشغيل/ الإيقاف ON/OFF الموجود على وحدة التحكم عن بعد على وضع الإيقاف "OFF"، وذلك لمنع حصول ازعاج وضرر من المكيف. في حالة عدم عمل ذلك، سوف تشتغل مراوح المكيف اوتوماتيكيا عند استعادة الطاقة الكهربائية ويمكن ان يتعرّض الأشخاص الفنيين أو المستعمل للخطر.
- لا تركيب الوحدة على أو بقرب المدخل.
- لا تشغل أي جهاز تدفئة بشكل قريب جدا من وحدة مكيف الهواء أو تستعمله في الغرفة حيث يوجد زيت معدني، تبخر للزيت أو بخار زيت، لأن هذا يمكن أن يسبب ذوبان أو تشويه الجزء بلاستيكي نتيجة للحرارة المفرطة أو التفاعل الكيماوي.
- عند استعمال الوحدة في المطبخ، لا تسمح للطحين بالدخول إلى أنبوب امتصاص الوحدة.
- هذه الوحدة غير مناسبة للاستعمال في المصنع حيث يوجد سحب زيت للقطع أو مسحوق حديدي أو الفولطية كثيرا.
- لا تركيب الوحدات في مناطق مثل مناطق الينابيع الحارة أو مضافة البترول حيث يوجد غازات كبريتية.
- تأكد من ان اللون اسلاك الوحدة الخارجية وعلامات اطراف التوصيل هي نفسها على الوحدات الداخلية على التوالي.
- هام : لا تنصب أو تستعمل وحدة مكيفة الهواء في غرفة الغسيل.
- لا تستخدم أسلاك مضمومة أو ملتوية لتوليد الطاقة للجهاز.
- الجهاز غير مصمم للعمل في بيئة قابلة للانفجار.

⚠️ تحذير

- يجب إجراء عملية التركيب والصيانة من قبل الفنيين المختصين الذين لديهم حسن الاطلاع على الشفرة والتنظيم المحلي، والخبرة مع هذا النوع من الأجهزة.
- يجب نصب شبكة اسلاك مجال القوة وفقاً إلى تنظيم شبكة اسلاك الوطن.
- تأكد من ان معدل الفولطية للوحدة يتطابق مع اللوحة المحددة قبل أن تبدأ باعمال شبكة الاسلاك وفقاً إلى مخطط التمديدات الكهربائية.
- يجب تأريض الوحدة لمنع المخاطر المحتملة بسبب نقص العازل.
- يجب ان لا تلامس الاسلاك الكهربائية انابيب المبرد او اية اجزاء متحركة من محركات المروحة.
- تأكد من تحويل الوحدة على موضع الإيقاف OFF قبل إجراء عملية النصب أو الصيانة للوحدة.
- قبل إجراء عملية صيانة وحدة مكيف الهواء، لا تسحب سلك الطاقة الكهربائية عندما تكون الطاقة الكهربائية موصولة، يمكن ان يسبب ذلك ضربات كهربائية قوية ويمكن ان تسبب مخاطر الحريق.
- ضع الوحدة الداخلية والوحدة الخارجية، وكبل الطاقة الكهربائية واسلاك الارسال، على مسافة 1 متر على الأقل بعيدا عن اجهزة التلفزيونات والراديو، وذلك لمنع تشوه الصورة والتشويش الاذاعي. {اعتمادا على نوع ومصدر الامواج الكهربائية، يمكن ان يتم سماع تشويش اذاعي وحتى اذا كانت المسافة اكثر من 1 متر}.

لاحظة

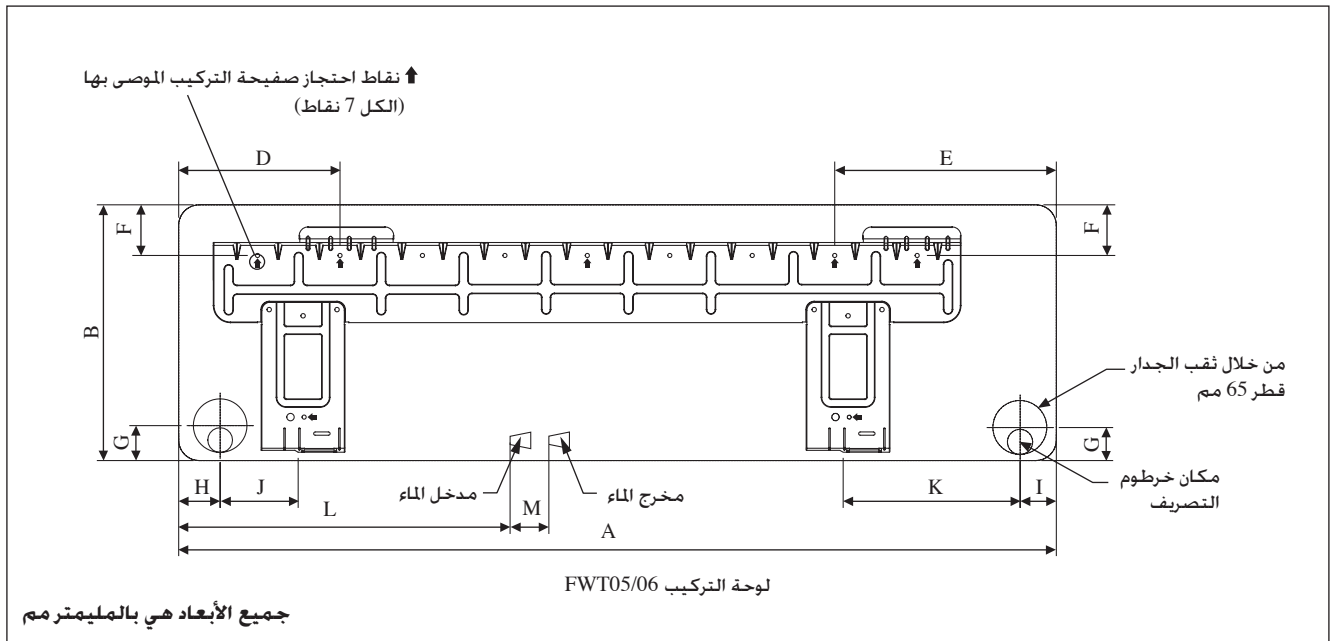


متطلبات التخلص من مكيف الهواء

مكيف الهواء مؤشر بهذا الرمز: هذا يعني انه يجب عدم خلط المنتجات الكهربائية والالكترونية مع فضلات المنزل غير المصنفة. لا تحاول تفكيك المكيف بنفسك: يجب إجراء تفكيك مكيف الهواء، ومعالجة مادة التبريد، والزيت والاجزاء الأخرى من قبل أشخاص مختصين وذلك حسب القوانين المحلية والوطنية المتعلقة بذلك.

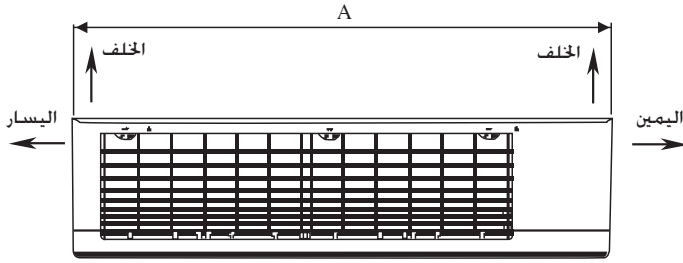
يجب تصليح مكيفات الهواء في اماكن متخصصة بالتصليح من اجل اعادة الاستعمال، والتدوير والاصلاح، بواسطة التخلص الصحيح من هذا المنتج، فانك سوف تساعد على منع النتائج السلبية من اجل المحافظة على البيئة وصحة الانسان. يرجى الاتصال بالفنيين المختصين أو السلطات المحلية من اجل الحصول على معلومات اكثر.

يجب اخراج البطاريات من وحدة التحكم عن بعد والتخلص من البطاريات بصورة منفصلة وذلك حسب القوانين المحلية والوطنية المتعلقة بذلك.

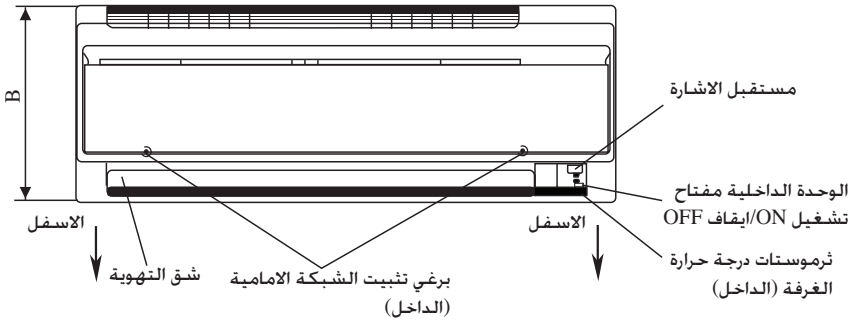


الأبعاد													طراز
M	L	K	J	I	H	G	F	E	D	C	B	A	
55	267	182	154	56	55	46	42	184	166	206	288	800	FWT02/03/04
60	593	219	91	48	45	40	61	173	190	224	310	1065	FWT05/06

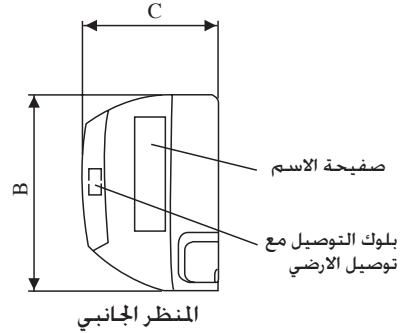
اتجاه الانابيب (→) تبين العلامة



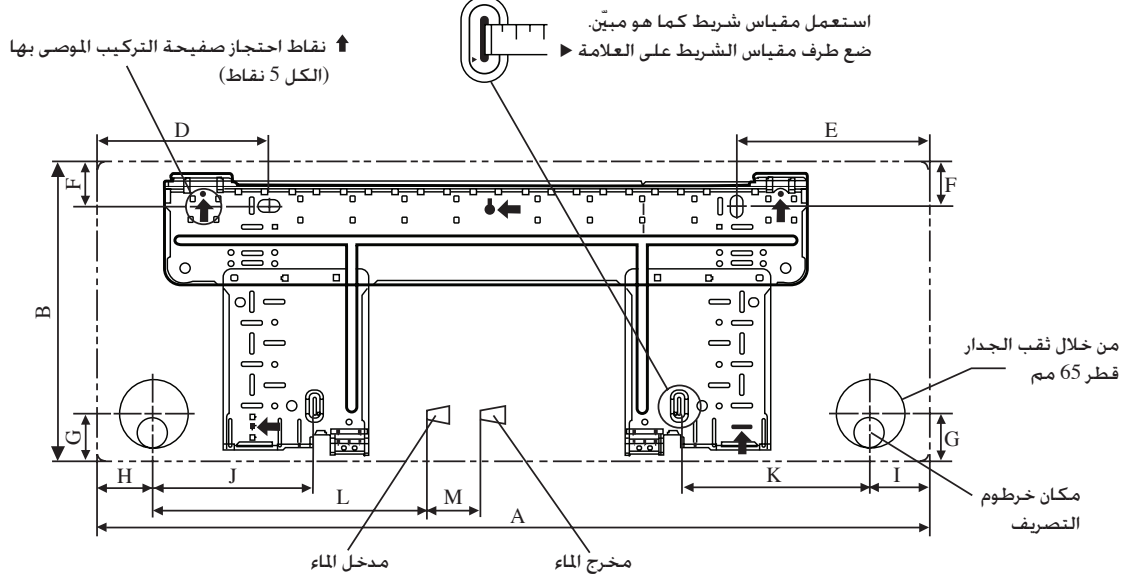
المنظر العلوي



المنظر الأمامي



المنظر الجانبي



لوحة التركيب FWT02/03/04

جميع الأبعاد هي بالمليمتر مم

DAIKIN



كتيب التركيب

عربي

كتيب التركيب
وحدات ملف مروحة الماء المبرد



طراز

FWT02CATNMV1
FWT03CATNMV1
FWT04CATNMV1
FWT05CATNMV1
FWT06CATNMV1



IM-WMJW-0312(0)-DAIKIN (DENV)
رقم الجزء : R08019037507