

# technical data

MXS-FV1B\_F2V1B

Multi application  
inverter controlled

air conditioning systems

# Split Sky Air

**R-410A**

# Split - Sky Air

"The present publication is drawn up by way of information only and does not constitute an offer binding upon Daikin Europe N.V. Daikin Europe N.V. has compiled the content of this publication to the best of its knowledge. No express or implied warranty is given for the completeness, accuracy, reliability or fitness for particular purpose of its content and the products and services presented therein. Specifications are subject to change without prior notice. Daikin Europe N.V. explicitly rejects any liability for any direct or indirect damage, in the broadest sense, arising from or related to the use and/or interpretation of this publication. All content is copyrighted by Daikin Europe N.V."



Het ISO14001 assures an effective environmental management system in order to help protect human health and the environment from potential impact of our activities, products and services and to assist in maintaining and improving the quality of the environment.



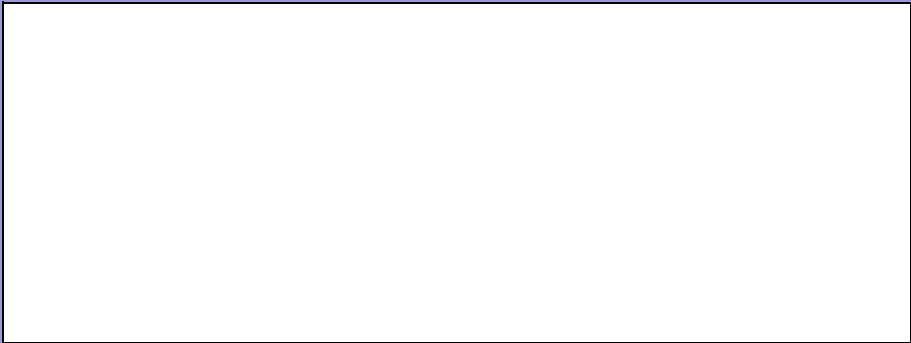
Daikin units comply with the European regulations that guarantee the safety of the product.



Daikin Europe N.V. is approved by LRQA for its Quality Management System in accordance with the ISO9001 standard. ISO9001 pertains to quality assurance regarding design, development, manufacturing as well as to services related to the product.

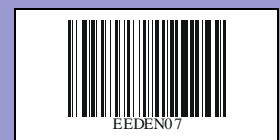


Daikin Europe N.V. participates in the Eurovent Certification Programme for Air Conditioners (AC), Liquid Chilling Packages (LCP) and Fan Coil Units (FC); the certified data of certified models are listed in the Eurovent Directory.



## **DAIKIN EUROPE N.V.**

Naamloze Vennootschap  
Zandvoordestraat 300  
B-8400 Oostende, Belgium  
www.daikin.eu  
BTW: BE 0412 120 336  
RPR Oostende



# technical data

MXS-FV1B\_F2V1B

Multi application  
inverter controlled

air conditioning systems

Split  
Sky Air

**R-410A**

# TABLE OF CONTENTS

## MXS-FV1B\_F2V1B

1	Features .....	5
2	Specifications .....	6
	Technical Specifications .....	6
	Electrical Specifications .....	7
3	Electrical data .....	8
4	Capacity tables .....	11
	Combination table .....	11
	Cooling capacity tables .....	22
	Heating capacity tables .....	49
5	Dimensional drawing & centre of gravity .....	74
	Dimensional drawing .....	74
	Centre of gravity .....	76
6	Piping diagram .....	78
7	Wiring diagram .....	80
	Wiring diagram .....	80
8	Sound data .....	82
	Sound pressure spectrum .....	82
9	Operation range .....	84

# 1 Features

- Outdoor units for Multi model application.
- Up to 5 indoor units can be connected to 1 Multi outdoor unit. All indoor units are individually controllable with remote control and do not need to be installed in the same room or at the same time. They operate simultaneously within the same cooling operation
- It is possible to combine different types of indoor units as well. (e.g. wall mounted, ceiling mounted cassette corner, concealed ceiling unit)
- Daikin outdoor units are neat and sturdy and can be mounted easily on a roof or terrace or simply placed against an outside wall.
- Outdoor units are fitted with a swing compressor, renowned for its low noise and high energy efficiency

1



## 2 Specifications

2-1 TECHNICAL SPECIFICATIONS				2MXS40FV1B	4MXS68F2V1B	2MXS50FV1B	
Casing	Colour			Ivory White			
Dimensions	Unit	Height	mm	550	735	550	
		Width	mm	765	936	765	
		Depth	mm	285	300	285	
	Packing	Height	mm	612	797	612	
		Width	mm	906	992	906	
Depth		mm	364	390	364		
Weight	Unit		kg	38	58	42	
	Packed Unit		kg	43	63	47	
Heat Exchanger	Dimensions	Length	mm	709	845	813	
		Nr of Rows		2	2	2	
		Fin Pitch	mm	1.5	1.60	1.5	
		Nr of Stages		24	32	24	
	Tube type			7HI-XD	Hi-Xa(8)	Hi-Xa(8)	
	Fin	Type	WF fin				
Treatment		Anti-corrosion treatment (PE)					
Fan	Type			Propeller			
	Quantity				1	1	
	Air Flow Rate (nominal at 230V)	Cooling	m <sup>3</sup> /min	33	49.4	34	
		Heating	m <sup>3</sup> /min	32	44.5	34	
	Motor	Quantity			1	1	
Model			D50M-28	KFD-380-53-8C	D50M-28		
Motor	Speed (nominal)	Cooling	rpm	840	790	890	
		Heating	rpm	820	750	890	
Fan	Motor	Output	W	50	53	50	
Compressor	Quantity				1	1	
	Motor	Model			1YC23ABXD	2YC45DXD#C	2YC36BXD#A
		Type			Hermetically sealed swing compressor		
Operation Range	Cooling	Min	°CDB	10	-10.0	10	
		Max	°CDB	46	46.0	46	
	Heating	Min	°CWB	-10	-15	-15	
		Max	°CWB	+15.5	15.5	15.5	
Sound Level (nominal)	Cooling	Sound Power	dBA	62	61.0	63	
		Sound Pressure	dBA	47	48.0	48	
	Heating	Sound Pressure	dBA	48	49.0	50	
Refrigerant	Type			R-410A			
	Charge		kg	1.20	2.6	1.60	
Refrigerant Oil	Type			FVC50K			
	Charged Volume		l	0.45	0.65	0.65	

## 2 Specifications

2

2-1 TECHNICAL SPECIFICATIONS			2MXS40FV1B	4MXS68F2V1B	2MXS50FV1B	
Piping connections	Liquid (OD)	Quantity	2	4	2	
		Diameter (OD) mm	6.35	6.35	6.35	
	Gas	Quantity	2	2	1	
		Diameter (OD) mm	9.5	9.5	9.5	
		Quantity		2	1	
		Diameter (OD) mm		12.7	12.7	
	Drain	Quantity		1	1	
		Diameter (OD) mm	18	18	18	
	Piping Length	Minimum m	3		3 (for one room)	
		Maximum m	30 (for total of each room)20 (for one room)	60 (for total of each room)/ 25 (for one room)	30 (for total of each room)20 (for one room)	
		Chargeless m			20	
	Additional Refrigerant Charge		kg/m	0.02/>20	0.02/>30m	0.02/>20m
	Installation height difference	Maximum m	15	15.0 (between indoor unit and outdoor unit)	15 (between indoor and outdoor)7.5 (between indoors)	
Max. internunit level difference		m	7.5	7.5 (between indoor units)		
Heat Insulation			Both liquid and gas pipes			
Standard Accessories	Item		Installation manual			
	Quantity		1	1	1	
	Item		Screw bag	Drain plug	Screw bag	
	Quantity		1	1	1	
	Item		Drain plug	Reducer assembly	Reducer assembly	
Quantity		1	1	1		
Notes			Nominal cooling capacities are based on : indoor temperature : 27°CDB, 19°CWB, outdoor temperature : 35°CDB, equivalent refrigerant piping : 5m, level difference : 0m.	Nominal cooling capacities are based on : indoor temperature : 27°CDB, 19°CWB, outdoor temperature : 35°CDB, equivalent refrigerant piping : 7.5m, level difference : 0m.	Nominal cooling capacities are based on : indoor temperature : 27°CDB, 19°CWB, outdoor temperature : 35°CDB, equivalent refrigerant piping : 5m, level difference : 0m.	
			Nominal heating capacities are based on : indoor temperature : 20°CDB, outdoor temperature : 7°CDB, 6°CWB, equivalent refrigerant piping : 5m, level difference : 0m	Nominal heating capacities are based on : indoor temperature : 20°CDB, outdoor temperature : 7°CDB, 6°CWB, equivalent refrigerant piping : 7.5m, level difference : 0m	Nominal heating capacities are based on : indoor temperature : 20°CDB, outdoor temperature : 7°CDB, 6°CWB, equivalent refrigerant piping : 5m, level difference : 0m	

2-2 ELECTRICAL SPECIFICATIONS			2MXS40FV1B	4MXS68F2V1B	2MXS50FV1B
Power Supply	Name		V1		
	Phase		1	1	1
	Frequency	Hz	50	50	
	Voltage	V	220-240	230	
Current	Starting current (cooling/heating)	A	5.9	6.2	9.8
	Recommended fuses	A	16		
Wiring connections	For Power Supply	Quantity	3	3	3
	For connection with indoor	Quantity	4	4	4
Power Supply Intake			Outdoor unit only		
Notes			RLA is based on following conditions: indoor temperature: 27°CDB/19°CWB, outdoor temperature: 35°CDB		
			Voltage range: units are suitable for use on electrical systems where voltage supplied to unit terminal is not below or above listed range limits		
			Maximum allowable voltage range variation between phases is 2%.		
			Select wire size based on the value of MCA or TOCA		
			MFA is used to select the circuit breaker and the ground fault circuit interrupter		

### 3 Electrical data

Model		Units				Power supply		Comp.		OFM	
Outdoor	H/P C/D	Hz	Volts	Min.	Max.	MCA	MFA	MSC	RLA	W	FLA
2MXS40FV1B	H/P	50	220	198	242	9.0	16	4.9	4.37	40	0.17
			230	207	253			4.9	4.39		
			240	216	264			4.9	4.41		

3D055827

#### SYMBOLS

- MCA : Min. Circuit Amps (A)
- MFA : Max. Fuse Amps (See note 6). (A)
- MSC : MSC means the max. current during the starting of compressor. (A)
- RLA : Rated Load Amps (A)
- OFM : Outdoor Fan Motor
- FLA : Full Load Amps (A)
- W : Fan Motor Rated Output (W)

#### NOTES

1. RLA is based on the following conditions:  
Cooling  
Indoor temp.: 27°CDB/19.0°CWB  
Outdoor temp.: 35°CDB
2. Voltage range  
Units are suitable for use on electrical systems where voltage supplied to unit terminals is not below or above listed operation range limits
3. Maximum allowable voltage variation between phases is 2%
4. MCA represents maximum input current  
MFA represents capacity which may accept MCA
5. Select wire size based on the larger value of MCA.
6. MFA is used to select the circuit breaker and the ground fault circuit interrupter (earth leakage circuit breaker)
7. For more details concerning conditional connections, see <http://extranet.daikineurope.com>, select "E-Data Books". Finally, click on the document title of your choice.



### 3 Electrical data

3

Model		Units				Power supply		Comp.		OFM	
Outdoor	H/P C/D	Hz	Volts	Min.	Max.	MCA	MFA	MSC	RLA	W	FLA
2MXS50FV1B	H/P	50	220	198	242	10.5	16	6.9	6.34	42	0.18
			230	207	253			6.9	6.36		
			240	216	264			6.9	6.38		

3D057669

#### SYMBOLS

MCA : Min. Circuit Amps (A)  
MFA : Max. Fuse Amps (See note 6). (A)  
MSC : MSC means the max. current during the starting of compressor. (A)  
RLA : Rated Load Amps (A)  
OFM : Outdoor Fan Motor  
FLA : Full Load Amps (A)  
W : Fan Motor Rated Output (W)

#### NOTES

1. RLA is based on the following conditions:  
Cooling  
Indoor temp.: 27°CDB/19.0°CWB  
Outdoor temp. : 35°CDB
2. Voltage range  
Units are suitable for use on electrical systems where voltage supplied to unit terminals is not below or above listed operation range limits
3. Maximum allowable voltage variation between phases is 2%
4. MCA represents maximum input current.  
MFA represents capacity which may accept MCA
5. Select wire size based on the larger value of MCA.
6. MFA is used to select the circuit breaker and the ground fault circuit interrupter (earth leakage circuit breaker)
7. For more details concerning conditional connections, see <http://extranet.daikin-europe.com>, select "E-Data Books". Finally, click on the document title of your choice.

### 3 Electrical data

Model		Units				Power supply		Comp.		OFM	
Outdoor	H/P C/D	Hz	Volts	Min.	Max.	MCA	MFA	MSC	RLA	W	FLA
4MXS68F2V1B	H/P	50	230	207	253	17.5	20	8.3	7.31	43	0.33

3D056163

#### SYMBOLS

- MCA : Min. Circuit Amps (A)
- MFA : Max. Fuse Amps (See note 6). (A)
- MSC : MSC means the max. current during the starting of compressor. (A)
- RLA : Rated Load Amps (A)
- OFM : Outdoor Fan Motor
- FLA : Full Load Amps (A)
- W : Fan Motor Rated Output (W)

#### NOTES

1. RLA is based on the following conditions:  
Cooling  
Indoor temp.: 27°CDB/19.0°CWB  
Outdoor temp. : 35°CDB
2. Voltage range  
Units are suitable for use on electrical systems where voltage supplied to unit terminals is not below or above listed operation range limits
3. Maximum allowable voltage variation between phases is 2%
4. MCA represents maximum input current.  
MFA represents capacity which may accept MCA
5. Select wire size based on the larger value of MCA.
6. MFA is used to select the circuit breaker and the ground fault circuit interrupter (earth leakage circuit breaker)
7. For more details concerning conditional connections, see <http://extranet.daikin-europe.com>, select "E-Data Books". Finally, click on the document title of your choice.

# 4 Capacity tables

## 4 - 1 Combination table

4

**Cooling [50Hz 230V]**

Outdoor unit	Combination of indoor unit	Capacity of each indoor unit								
		Each capacity (kW)		Total capacity (kW)		Total input (W)		Total current (A)		Power factor %
		A Room	B Room	Rating	(Min.-max.)	Rating	(Min.-max.)	Rating	(Min.-max.)	Rating
2MXS40FV1B	2.0	2.00	---	2.00	1.45 ~ 2.40	450	320 ~ 590	2.1	1.5 ~ 2.7	94
	2.5	2.50	---	2.50	1.45 ~ 3.00	620	320 ~ 820	2.9	1.5 ~ 3.8	94
	3.5	3.50	---	3.50	1.45 ~ 4.00	1080	320 ~ 1410	4.9	1.5 ~ 6.5	95
	2.0+2.0	2.00	2.00	4.00	1.65 ~ 4.10	1090	300 ~ 1130	5.0	1.4 ~ 5.2	94
	2.0+2.5	1.85	2.15	4.00	1.65 ~ 4.20	1080	300 ~ 1190	5.0	1.4 ~ 5.5	94
	2.0+3.5	1.75	2.25	4.00	1.65 ~ 4.40	1060	300 ~ 1310	4.9	1.4 ~ 6.1	94
	2.5+2.5	2.00	2.00	4.00	1.65 ~ 4.30	1070	300 ~ 1240	4.9	1.4 ~ 5.7	94
	2.5+3.5	1.80	2.20	4.00	1.65 ~ 4.50	1050	300 ~ 1350	4.9	1.4 ~ 6.2	94

**Heating [50Hz 230V]**

Outdoor unit	Combination of indoor unit	Capacity of each indoor unit								
		Each capacity (kW)		Total capacity (kW)		Total input (W)		Total current (A)		Power factor %
		A Room	B Room	Rating	(Min.-max.)	Rating	(Min.-max.)	Rating	(Min.-max.)	Rating
2MXS40FV1B	2.0	3.00	---	3.00	1.20 ~ 3.70	850	290 ~ 1270	3.9	1.3 ~ 5.9	94
	2.5	3.40	---	3.40	1.20 ~ 4.10	1060	290 ~ 1520	4.9	1.3 ~ 7.0	95
	3.5	3.80	---	3.80	1.20 ~ 4.40	1290	290 ~ 1730	5.9	1.3 ~ 7.9	95
	2.0+2.0	2.10	2.10	4.20	1.50 ~ 4.60	1010	270 ~ 1170	4.7	1.2 ~ 5.4	95
	2.0+2.5	2.10	2.30	4.40	1.50 ~ 4.70	1080	270 ~ 1210	5.0	1.2 ~ 5.5	96
	2.0+3.5	2.00	2.40	4.40	1.50 ~ 4.70	1060	260 ~ 1190	4.9	1.2 ~ 5.4	96
	2.5+2.5	2.20	2.20	4.40	1.50 ~ 4.70	1070	270 ~ 1200	4.9	1.2 ~ 5.4	96
	2.5+3.5	2.05	2.35	4.40	1.50 ~ 4.70	1050	260 ~ 1180	4.8	1.2 ~ 5.3	96

3D055824

**NOTES**

- Cooling capacity is based on 27°CDB / 19°CWB (indoor temperature), 35°CDB (outdoor temperature). Heating capacity is based on 20°CDB (indoor temperature), 7°CDB/6°CWB (outdoor temperature).
- The total ability of connected a indoor unit is up to 6.0 kW
- It is impossible to connect the indoor unit for one room only.
- The above is the value for connecting with the following indoor units.  
2.0, 2.5, 3.5 kW class: wall mounted D, E (NW-S) series.

## 4 Capacity tables

### 4 - 1 Combination table

Cooling [50Hz 230V]											
Outdoor unit	Combination of indoor unit	Capacity of each indoor unit									
		Each capacity (kW)		Total capacity (kW)		Total input (W)		Total current (A)		Power factor %	
		A Room	B Room	Rating	(Min.-max.)	Rating	(Min.-max.)	Rating	(Min.-max.)	Rating	
2MXS40FV1B	2.0	2.00	---	2.00	1.45 ~ 2.40	470	320 ~ 610	2.2	1.5 ~ 2.8	94	
	2.5	2.50	---	2.50	1.45 ~ 3.00	650	320 ~ 860	3.0	1.5 ~ 4.0	94	
	3.5	3.50	---	3.50	1.45 ~ 4.00	1140	320 ~ 1430	5.2	1.5 ~ 6.5	95	
	2.0+2.0	2.00	2.00	4.00	1.65 ~ 4.10	1130	300 ~ 1170	5.2	1.4 ~ 5.4	94	
	2.0+2.5	1.85	2.15	4.00	1.65 ~ 4.20	1120	300 ~ 1210	5.2	1.4 ~ 5.6	94	
	2.0+3.5	1.75	2.25	4.00	1.65 ~ 4.40	1100	300 ~ 1350	5.1	1.4 ~ 6.2	94	
	2.5+2.5	2.00	2.00	4.00	1.65 ~ 4.30	1110	300 ~ 1280	5.1	1.4 ~ 5.9	94	
	2.5+3.5	1.80	2.20	4.00	1.65 ~ 4.50	1090	300 ~ 1410	5.0	1.4 ~ 6.5	94	

### Heating [50Hz 230V]

Heating [50Hz 230V]											
Outdoor unit	Combination of indoor unit	Capacity of each indoor unit									
		Each capacity (kW)		Total capacity (kW)		Total input (W)		Total current (A)		Power factor %	
		A Room	B Room	Rating	(Min.-max.)	Rating	(Min.-max.)	Rating	(Min.-max.)	Rating	
2MXS40FV1B	2.0	3.00	---	3.00	1.20 ~ 3.70	900	290 ~ 1300	4.2	1.3 ~ 6.0	94	
	2.5	3.40	---	3.40	1.20 ~ 4.10	1110	290 ~ 1590	5.1	1.3 ~ 7.3	95	
	3.5	3.80	---	3.80	1.20 ~ 4.40	1350	290 ~ 1780	6.2	1.3 ~ 8.1	95	
	2.0+2.0	2.10	2.10	4.20	1.50 ~ 4.60	1060	280 ~ 1240	4.9	1.3 ~ 5.7	95	
	2.0+2.5	2.10	2.30	4.40	1.50 ~ 4.70	1140	280 ~ 1290	5.3	1.3 ~ 5.8	96	
	2.0+3.5	2.00	2.40	4.40	1.50 ~ 4.70	1120	280 ~ 1270	5.2	1.3 ~ 5.8	96	
	2.5+2.5	2.20	2.20	4.40	1.50 ~ 4.70	1130	280 ~ 1280	5.2	1.3 ~ 5.8	96	
	2.5+3.5	2.05	2.35	4.40	1.50 ~ 4.70	1100	280 ~ 1260	5.1	1.3 ~ 5.7	96	

3D055825

#### NOTES

- 1 Cooling capacity is based on 27°CDB / 19°CWB (indoor temperature), 35°CDB (outdoor temperature). Heating capacity is based on 20°CDB (indoor temperature), 7°CDB/6°CWB (outdoor temperature).
- 2 The total ability of connected a indoor unit is up to 6.0 kW
- 3 It is impossible to connect the indoor unit for one room only.
- 4 The above is the value for connecting with the following indoor units.  
2.0, 2.5, 3.5 kW class: wall mounted C, D (GMS5) series.

# 4 Capacity tables

## 4 - 1 Combination table

4

Cooling [50Hz 230V]										
Outdoor unit	Combination of indoor unit	Capacity of each indoor unit								
		Each capacity (kW)		Total capacity (kW)		Total input (W)		Total current (A)		Power factor %
		A Room	B Room	Rating	(Min.-max.)	Rating	(Min.-max.)	Rating	(Min.-max.)	Rating
2MXS50FV1B	2.0	2.00	---	2.00	1.53 ~ 2.60	470	330 ~ 690	2.2	1.6 ~ 3.3	91
	2.5	2.50	---	2.50	1.53 ~ 3.10	660	330 ~ 920	3.2	1.6 ~ 4.4	91
	3.5	3.50	---	3.50	1.53 ~ 4.00	1090	330 ~ 1420	5.2	1.6 ~ 6.8	91
	5.0	5.00	---	5.00	1.57 ~ 5.10	2060	330 ~ 2170	9.8	1.6 ~ 10.4	91
	2.0+2.0	2.00	2.00	4.00	1.81 ~ 4.90	1050	330 ~ 1530	5.0	1.6 ~ 7.3	91
	2.0+2.5	2.00	2.50	4.50	1.81 ~ 5.00	1290	330 ~ 1600	6.2	1.6 ~ 7.6	91
	2.0+3.5	1.82	3.18	5.00	1.81 ~ 5.30	1560	330 ~ 1760	7.5	1.6 ~ 8.4	91
	2.0+5.0	1.43	3.57	5.00	1.81 ~ 5.40	1470	330 ~ 1720	7.0	1.6 ~ 8.2	91
	2.5+2.5	2.50	2.50	5.00	1.81 ~ 5.20	1560	330 ~ 1710	7.5	1.6 ~ 8.2	91
	2.5+3.5	2.08	2.92	5.00	1.81 ~ 5.30	1530	330 ~ 1760	7.3	1.6 ~ 8.4	91
	2.5+5.0	1.67	3.33	5.00	1.81 ~ 5.40	1470	330 ~ 1730	7.0	1.6 ~ 8.3	91
	3.5+3.5	2.50	2.50	5.00	1.81 ~ 5.30	1500	330 ~ 1720	7.2	1.6 ~ 8.2	91
	3.5+5.0	2.06	2.94	5.00	1.81 ~ 5.40	1440	330 ~ 1700	6.9	1.6 ~ 8.1	91

Heating [50Hz 230V]										
Outdoor unit	Combination of indoor unit	Capacity of each indoor unit								
		Each capacity (kW)		Total capacity (kW)		Total input (W)		Total current (A)		Power factor %
		A Room	B Room	Rating	(Min.-max.)	Rating	(Min.-max.)	Rating	(Min.-max.)	Rating
2MXS50FV1B	2.0	3.00	---	3.00	1.21 ~ 3.70	820	270 ~ 1140	3.9	1.3 ~ 5.4	91
	2.5	3.40	---	3.40	1.21 ~ 4.10	980	250 ~ 1330	4.7	1.2 ~ 6.4	91
	3.5	4.00	---	4.00	1.21 ~ 4.60	1240	250 ~ 1530	5.9	1.2 ~ 7.3	91
	5.0	5.40	---	5.40	1.33 ~ 5.60	1830	270 ~ 1980	8.7	1.3 ~ 9.5	91
	2.0+2.0	2.65	2.65	5.30	1.28 ~ 5.70	1340	240 ~ 1530	6.4	1.1 ~ 7.3	91
	2.0+2.5	2.44	3.06	5.50	1.28 ~ 5.80	1420	240 ~ 1560	6.8	1.1 ~ 7.5	91
	2.0+3.5	2.04	3.56	5.60	1.34 ~ 5.90	1440	250 ~ 1570	6.9	1.2 ~ 7.5	91
	2.0+5.0	1.63	4.07	5.70	1.39 ~ 6.20	1370	250 ~ 1610	6.5	1.2 ~ 7.7	91
	2.5+2.5	2.80	2.80	5.60	1.28 ~ 5.80	1450	240 ~ 1550	6.9	1.1 ~ 7.4	91
	2.5+3.5	2.38	3.32	5.70	1.34 ~ 6.00	1480	250 ~ 1640	7.1	1.2 ~ 7.8	91
	2.5+5.0	1.90	3.80	5.70	1.45 ~ 6.30	1360	260 ~ 1650	6.5	1.2 ~ 7.9	91
	3.5+3.5	2.85	2.85	5.70	1.40 ~ 6.10	1460	250 ~ 1650	7.0	1.2 ~ 7.9	91
	3.5+5.0	2.35	3.35	5.70	1.45 ~ 6.40	1350	250 ~ 1650	6.5	1.2 ~ 7.9	91

3D057668

### NOTES

- Cooling capacity is based on 27°CDB / 19°CWB (indoor temperature), 35°CDB (outdoor temperature). Heating capacity is based on 20°CDB (indoor temperature), 7°CDB/6°CWB (outdoor temperature).
- The total ability of connected a indoor unit is up to 8.5 kW
- It is impossible to connect the indoor unit for one room only.
- The above is the value for connecting with the following indoor units.  
2.0, 2.5, 3.5, 5.0kW class: wall mounted D, E (NW-S) series.

# 4 Capacity tables

## 4 - 1 Combination table

Cooling [50Hz 230V]													
Outdoor unit	Combination of indoor unit	Capacity of each indoor unit											
		Each capacity (kW)				Total capacity (kW)		Total input (W)		Total current (A)		Power factor %	
		A Room	B Room	C Room	D Room	Rating	(Min.-max.)	Rating	(Min.-max.)	Rating	(Min.-max.)	Rating	
4MXS68F2V1B	2.0	2.00	---	---	---	2.00	1.95 ~ 2.63	470	440 ~ 620	2.1	2.0 ~ 2.8	96	
	2.5	2.50	---	---	---	2.50	1.95 ~ 3.37	590	460 ~ 850	2.7	2.1 ~ 3.8	96	
	3.5	3.50	---	---	---	3.50	1.95 ~ 4.76	910	470 ~ 1470	4.0	2.1 ~ 6.5	98	
	5.0	---	---	5.00	---	5.00	1.96 ~ 5.91	1710	450 ~ 2200	7.5	2.0 ~ 9.7	99	
	6.0	---	---	6.00	---	6.00	1.96 ~ 6.38	2050	440 ~ 2320	9.0	1.8 ~ 10.2	99	
	2.0+2.0	2.00	2.00	---	---	4.00	1.97 ~ 5.02	1000	430 ~ 1450	4.4	1.9 ~ 6.4	99	
	2.0+2.5	2.00	2.50	---	---	4.50	1.97 ~ 5.33	1200	430 ~ 1610	5.3	1.9 ~ 7.1	99	
	2.0+3.5	2.00	3.50	---	---	5.50	1.97 ~ 6.18	1660	420 ~ 2150	7.3	1.8 ~ 9.4	99	
	2.0+5.0	1.94	---	4.86	---	6.80	1.97 ~ 7.12	2410	410 ~ 2650	10.6	1.8 ~ 11.6	99	
	2.0+6.0	1.70	---	5.10	---	6.80	1.98 ~ 7.56	2210	400 ~ 2750	9.7	1.8 ~ 12.1	99	
	2.5+2.5	2.50	2.50	---	---	5.00	1.97 ~ 5.98	1460	450 ~ 2000	6.4	2.0 ~ 8.8	99	
	2.5+3.5	2.50	3.50	---	---	6.00	1.97 ~ 6.44	2060	430 ~ 2370	9.0	1.9 ~ 10.4	99	
	2.5+5.0	2.27	---	4.53	---	6.80	1.97 ~ 7.23	2410	400 ~ 2750	10.6	1.8 ~ 12.1	99	
	2.5+6.0	2.00	---	4.80	---	6.80	1.98 ~ 7.56	2210	380 ~ 2750	9.7	1.7 ~ 12.1	99	
	3.5+3.5	3.40	3.40	---	---	6.80	1.97 ~ 6.99	2510	410 ~ 2660	11.0	1.8 ~ 11.7	99	
	3.5+5.0	2.80	---	4.00	---	6.80	1.97 ~ 7.61	2410	380 ~ 3120	10.6	1.7 ~ 13.7	99	
	3.5+6.0	2.51	---	4.29	---	6.80	2.28 ~ 7.91	2210	430 ~ 3060	9.7	1.9 ~ 13.4	99	
	5.0+5.0	---	---	3.40	3.40	6.80	2.36 ~ 8.06	2310	470 ~ 3350	10.1	2.1 ~ 14.7	99	
	5.0+6.0	---	---	3.09	3.71	6.80	2.49 ~ 8.28	2120	480 ~ 3280	9.3	2.1 ~ 14.4	99	
	2.0+2.0+2.0	2.00	2.00	2.00	---	6.00	1.98 ~ 6.51	1640	420 ~ 1890	7.2	1.8 ~ 8.3	99	
	2.0+2.0+2.5	2.00	2.00	2.50	---	6.50	1.98 ~ 6.89	1890	420 ~ 2120	8.3	1.8 ~ 9.3	99	
	2.0+2.0+3.5	1.81	1.81	3.18	---	6.80	1.98 ~ 7.25	2070	410 ~ 2350	9.1	1.8 ~ 10.3	99	
	2.0+2.0+5.0	1.51	1.51	3.78	---	6.80	1.98 ~ 7.85	2020	390 ~ 2690	8.9	1.7 ~ 11.8	99	
	2.0+2.0+6.0	1.36	1.36	4.08	---	6.80	2.33 ~ 8.11	1830	440 ~ 2640	8.0	1.9 ~ 11.6	99	
	2.0+2.5+2.5	1.94	2.43	2.43	---	6.80	1.98 ~ 7.10	2070	410 ~ 2260	9.1	1.8 ~ 9.9	99	
	2.0+2.5+3.5	1.70	2.13	2.97	---	6.80	1.98 ~ 7.59	2070	390 ~ 2590	9.1	1.7 ~ 11.4	99	
	2.0+2.5+5.0	1.43	1.79	3.58	---	6.80	1.98 ~ 7.92	2020	390 ~ 2740	8.9	1.7 ~ 12.0	99	
	2.0+2.5+6.0	1.30	1.62	3.88	---	6.80	2.33 ~ 8.38	1830	450 ~ 2840	8.0	2.0 ~ 12.5	99	
	2.0+3.5+3.5	1.52	2.64	2.64	---	6.80	1.98 ~ 7.91	2070	400 ~ 2850	9.1	1.8 ~ 12.5	99	
	2.0+3.5+5.0	1.30	2.27	3.23	---	6.80	2.30 ~ 8.41	2020	440 ~ 3170	8.9	1.9 ~ 13.9	99	
	2.5+2.5+2.5	2.26	2.26	2.26	---	6.78	1.98 ~ 7.38	2070	410 ~ 2450	9.1	1.8 ~ 10.8	99	
	2.5+2.5+3.5	2.00	2.00	2.80	---	6.80	1.98 ~ 7.78	2070	390 ~ 2750	9.1	1.7 ~ 12.1	99	
	2.5+2.5+5.0	1.70	1.70	3.40	---	6.80	2.30 ~ 8.28	2020	440 ~ 3060	8.9	1.9 ~ 13.4	99	
	2.5+2.5+6.0	1.55	1.55	3.70	---	6.80	2.44 ~ 8.57	1830	440 ~ 3000	8.0	1.9 ~ 13.2	99	
	2.5+3.5+3.5	1.78	2.51	2.51	---	6.80	2.29 ~ 8.14	2070	440 ~ 3060	9.1	1.9 ~ 13.4	99	
	2.5+3.5+5.0	1.55	2.16	3.09	---	6.80	2.51 ~ 8.57	1980	460 ~ 3330	8.7	2.0 ~ 14.6	99	
	3.5+3.5+3.5	2.26	2.26	2.26	---	6.78	2.40 ~ 8.42	2070	430 ~ 3330	9.1	1.9 ~ 14.6	99	

3D056405

### NOTES

- Cooling capacity is based on 27°CDB / 19°CWB (indoor temperature), 35°CDB (outdoor temperature).  
Heating capacity is based on 20°CDB (indoor temperature), 7°CDB/6°CWB (outdoor temperature).
- The total ability of connected a indoor unit is up to 11.0 kW
- It is impossible to connect the indoor unit for one room only.
- The above is the value for connecting with the following indoor units.  
2.0, 2.5, 3.5, 5.0 kW class: wall mounted D series  
6.0 kW class: wall mounted F series
- Capacities are based on the following conditions:  
Corresponding refrigerant piping length : 5m  
Level difference : 0m

## 4 Capacity tables

### 4 - 1 Combination table

4

#### Cooling [50Hz 230V]

Outdoor unit	Combination of indoor unit	Capacity of each indoor unit										
		Each capacity (kW)				Total capacity (kW)		Total input (W)		Total current (A)		Power factor %
		A Room	B Room	C Room	D Room	Rating	(Min.-max.)	Rating	(Min.-max.)	Rating	(Min.-max.)	Rating
4MXS68F2V1B	2.0+2.0+2.0+2.0	1.70	1.70	1.70	1.70	6.80	1.99 ~ 7.63	1750	410 ~ 2190	7.7	1.8 ~ 9.6	99
	2.0+2.0+2.0+2.5	1.60	1.60	1.60	2.00	6.80	1.99 ~ 7.79	1730	390 ~ 2290	7.6	1.7 ~ 10.1	99
	2.0+2.0+2.0+3.5	1.43	1.43	1.43	2.51	6.80	1.99 ~ 8.17	1710	400 ~ 2530	7.5	1.8 ~ 11.1	99
	2.0+2.0+2.0+5.0	1.24	1.24	1.24	3.08	6.80	2.47 ~ 8.74	1670	460 ~ 2930	7.3	2.0 ~ 12.9	99
	2.0+2.0+2.5+2.5	1.51	1.51	1.89	1.89	6.80	1.99 ~ 7.94	1750	400 ~ 2380	7.7	1.8 ~ 10.5	99
	2.0+2.0+2.5+3.5	1.36	1.36	1.70	2.38	6.80	2.34 ~ 8.32	1730	450 ~ 2630	7.6	2.0 ~ 11.6	99
	2.0+2.0+3.5+3.5	1.24	1.24	2.16	2.16	6.80	2.46 ~ 8.61	1710	450 ~ 2840	7.5	2.0 ~ 12.5	99
	2.0+2.5+2.5+2.5	1.43	1.79	1.79	1.79	6.80	1.99 ~ 8.17	1750	400 ~ 2530	7.7	1.8 ~ 11.1	99
	2.0+2.5+2.5+3.5	1.30	1.62	1.62	2.26	6.80	2.34 ~ 8.46	1730	450 ~ 2740	7.6	2.0 ~ 12.0	99
	2.5+2.5+2.5+2.5	1.70	1.70	1.70	1.70	6.80	2.34 ~ 8.39	1710	460 ~ 2680	7.5	2.0 ~ 11.8	99
	2.5+2.5+2.5+3.5	1.55	1.55	1.55	2.15	6.80	2.46 ~ 8.73	1700	460 ~ 2950	7.5	2.0 ~ 13.0	99

3D056406

#### NOTES

- Cooling capacity is based on 27°CDB / 19°CWB (indoor temperature), 35°CDB (outdoor temperature). Heating capacity is based on 20°CDB (indoor temperature), 7°CDB/6°CWB (outdoor temperature).
- The total ability of connected a indoor unit is up to 11.0 kW
- It is impossible to connect the indoor unit for one room only.
- The above is the value for connecting with the following indoor units.  
2.0, 2.5, 3.5, 5.0 kW class: wall mounted D series  
6.0 kW class: wall mounted F series
- Capacities are based on the following conditions:  
Corresponding refrigerant piping length : 5m  
Level difference : 0m
- The bold line  is indicated the rated combination of indoor unit.

# 4 Capacity tables

## 4 - 1 Combination table

Cooling [50Hz 230V]													
Outdoor unit	Combination of indoor unit	Capacity of each indoor unit											
		Each capacity (kW)				Total capacity (kW)		Total input (W)		Total current (A)		Power factor %	
		A Room	B Room	C Room	D Room	Rating	(Min.-max.)	Rating	(Min.-max.)	Rating	(Min.-max.)	Rating	
4MXS68F2V1B	2.0	2.00	---	---	---	2.00	1.95 ~ 2.63	470	440 ~ 620	2.1	2.0 ~ 2.8	96	
	2.5	2.50	---	---	---	2.50	1.95 ~ 3.37	590	460 ~ 850	2.7	2.1 ~ 3.8	96	
	3.5	3.50	---	---	---	3.50	1.95 ~ 4.76	910	470 ~ 1470	4.0	2.1 ~ 6.5	98	
	5.0	---	---	5.00	---	5.00	1.96 ~ 5.92	1570	420 ~ 2010	6.9	1.8 ~ 8.8	99	
	6.0	---	---	6.00	---	6.00	1.96 ~ 6.38	2050	440 ~ 2320	9.0	1.9 ~ 10.2	99	
	2.0+2.0	2.00	2.00	---	---	4.00	1.97 ~ 5.02	1000	430 ~ 1450	4.4	1.9 ~ 6.4	99	
	2.0+2.5	2.00	2.50	---	---	4.50	1.97 ~ 5.33	1200	430 ~ 1610	5.3	1.9 ~ 7.1	99	
	2.0+3.5	2.00	3.50	---	---	5.50	1.97 ~ 6.18	1660	420 ~ 2150	7.3	1.8 ~ 9.4	99	
	2.0+5.0	1.94	---	4.86	---	6.80	1.98 ~ 7.09	2220	390 ~ 2400	9.7	1.7 ~ 10.5	99	
	2.0+6.0	1.70	---	5.10	---	6.80	1.98 ~ 7.56	2210	400 ~ 2750	9.7	1.8 ~ 12.1	99	
	2.5+2.5	2.50	2.50	---	---	5.00	1.97 ~ 5.98	1460	450 ~ 2000	6.4	2.0 ~ 8.8	99	
	2.5+3.5	2.50	3.50	---	---	6.00	1.97 ~ 6.44	2060	430 ~ 2370	9.0	1.9 ~ 10.4	99	
	2.5+5.0	2.27	---	4.53	---	6.80	1.98 ~ 7.22	2220	380 ~ 2500	9.7	1.7 ~ 11.0	99	
	2.5+6.0	2.00	---	4.80	---	6.80	1.98 ~ 7.56	2210	380 ~ 2750	9.7	1.7 ~ 12.1	99	
	3.5+3.5	3.40	3.40	---	---	6.80	1.97 ~ 6.99	2510	410 ~ 2660	11.0	1.8 ~ 11.7	99	
	3.5+5.0	2.80	---	4.00	---	6.80	1.98 ~ 7.65	2220	360 ~ 2850	9.7	1.6 ~ 12.5	99	
	3.5+6.0	2.51	---	4.29	---	6.80	2.28 ~ 7.91	2210	430 ~ 3060	9.7	1.9 ~ 13.4	99	
	5.0+5.0	---	---	3.40	3.40	6.80	2.31 ~ 8.10	1990	410 ~ 2760	8.7	1.8 ~ 12.1	99	
	5.0+6.0	---	---	3.09	3.71	6.80	2.52 ~ 8.26	1970	460 ~ 2950	8.7	2.0 ~ 13.0	99	
	2.0+2.0+2.0	2.00	2.00	2.00	---	6.00	1.98 ~ 6.51	1640	420 ~ 1890	7.2	1.8 ~ 8.3	99	
	2.0+2.0+2.5	2.00	2.00	2.50	---	6.50	1.98 ~ 6.89	1890	420 ~ 2120	8.3	1.8 ~ 9.3	99	
	2.0+2.0+3.5	1.81	1.81	3.18	---	6.80	1.98 ~ 7.25	2070	410 ~ 2350	9.1	1.8 ~ 10.3	99	
	2.0+2.0+5.0	1.51	1.51	3.78	---	6.80	1.99 ~ 7.87	1880	370 ~ 2490	8.3	1.6 ~ 10.9	99	
	2.0+2.0+6.0	1.36	1.36	4.08	---	6.80	2.33 ~ 8.11	1830	440 ~ 2640	8.0	1.9 ~ 11.6	99	
	2.0+2.5+2.5	1.94	2.43	2.43	---	6.80	1.98 ~ 7.10	2070	410 ~ 2260	9.1	1.8 ~ 9.9	99	
	2.0+2.5+3.5	1.70	2.13	2.97	---	6.80	1.98 ~ 7.59	2070	390 ~ 2590	9.1	1.7 ~ 11.4	99	
	2.0+2.5+5.0	1.43	1.79	3.58	---	6.80	1.99 ~ 7.94	1880	360 ~ 2540	8.3	1.6 ~ 11.2	99	
	2.0+2.5+6.0	1.30	1.62	3.88	---	6.80	2.33 ~ 8.38	1830	450 ~ 2840	8.0	2.0 ~ 12.5	99	
	2.0+3.5+3.5	1.52	2.64	2.64	---	6.80	1.98 ~ 7.91	2070	400 ~ 2850	9.1	1.8 ~ 12.5	99	
	2.0+3.5+5.0	1.30	2.27	3.23	---	6.80	2.33 ~ 8.35	1880	410 ~ 2840	8.3	1.8 ~ 12.5	99	
	2.5+2.5+2.5	2.26	2.26	2.26	---	6.78	1.98 ~ 7.38	2070	410 ~ 2450	9.1	1.8 ~ 10.8	99	
	2.5+2.5+3.5	2.00	2.00	2.80	---	6.80	1.98 ~ 7.78	2070	390 ~ 2750	9.1	1.7 ~ 12.1	99	
	2.5+2.5+5.0	1.70	1.70	3.40	---	6.80	2.32 ~ 8.28	1890	420 ~ 2790	8.3	1.8 ~ 12.3	99	
	2.5+2.5+6.0	1.55	1.55	3.70	---	6.80	2.44 ~ 8.57	1830	440 ~ 3000	8.0	1.9 ~ 13.2	99	
	2.5+3.5+3.5	1.78	2.51	2.51	---	6.80	2.29 ~ 8.14	2070	440 ~ 3060	9.1	1.9 ~ 13.4	99	
	2.5+3.5+5.0	1.55	2.16	3.09	---	6.80	2.44 ~ 8.55	1880	410 ~ 3000	8.3	1.8 ~ 13.2	99	
	3.5+3.5+3.5	2.26	2.26	2.26	---	6.78	2.40 ~ 8.42	2070	430 ~ 3330	9.1	1.9 ~ 14.6	99	

3D056409

### NOTES

- 1 Cooling capacity is based on 27°CDB / 19°CWB (indoor temperature), 35°CDB (outdoor temperature).  
Heating capacity is based on 20°CDB (indoor temperature), 7°CDB/6°CWB (outdoor temperature).
- 2 The total ability of connected a indoor unit is up to 11.0 kW
- 3 It is impossible to connect the indoor unit for one room only.
- 4 The above is the value for connecting with the following indoor units.  
2.0, 2.5, 3.5, 5.0 kW class: wall mounted D series  
6.0 kW class: wall mounted F series
- 5 Capacities are based on the following conditions:  
Corresponding refrigerant piping length : 5m  
Level difference : 0m



## 4 Capacity tables

### 4 - 1 Combination table

4

Cooling [50Hz 230V]													
Outdoor unit	Combination of indoor unit	Capacity of each indoor unit											
		Each capacity (kW)				Total capacity (kW)		Total input (W)		Total current (A)		Power factor %	
		A Room	B Room	C Room	D Room	Rating	(Min.-max.)	Rating	(Min.-max.)	Rating	(Min.-max.)	Rating	
4MXS68F2V1B	2.0+2.0+2.0+2.0	1.70	1.70	1.70	1.70	6.80	1.99 ~ 7.63	1750	410 ~ 2190	7.7	1.8 ~ 9.6	99	
	2.0+2.0+2.0+2.5	1.60	1.60	1.60	2.00	6.80	1.99 ~ 7.79	1730	390 ~ 2290	7.6	1.7 ~ 10.1	99	
	2.0+2.0+2.0+3.5	1.43	1.43	1.43	2.51	6.80	1.99 ~ 8.17	1710	400 ~ 2530	7.5	1.8 ~ 11.1	99	
	2.0+2.0+2.0+5.0	1.24	1.24	1.24	3.08	6.80	2.50 ~ 8.75	1580	430 ~ 2710	6.9	1.9 ~ 11.9	99	
	2.0+2.0+2.5+2.5	1.51	1.51	1.89	1.89	6.80	1.99 ~ 7.94	1750	400 ~ 2380	7.7	1.8 ~ 10.5	99	
	2.0+2.0+2.5+3.5	1.36	1.36	1.70	2.38	6.80	2.34 ~ 8.32	1730	450 ~ 2630	7.6	2.0 ~ 11.6	99	
	2.0+2.0+3.5+3.5	1.24	1.24	2.16	2.16	6.80	2.46 ~ 8.61	1710	450 ~ 2840	7.5	2.0 ~ 12.5	99	
	2.0+2.5+2.5+2.5	1.43	1.79	1.79	1.79	6.80	1.99 ~ 8.17	1750	400 ~ 2530	7.7	1.8 ~ 11.1	99	
	2.0+2.5+2.5+3.5	1.30	1.62	1.62	2.26	6.80	2.34 ~ 8.46	1730	450 ~ 2740	7.6	2.0 ~ 12.0	99	
	2.5+2.5+2.5+2.5	1.70	1.70	1.70	1.70	6.80	2.34 ~ 8.39	1710	460 ~ 2680	7.5	2.0 ~ 11.8	99	
	2.5+2.5+2.5+3.5	1.55	1.55	1.55	2.15	6.80	2.46 ~ 8.73	1700	460 ~ 2950	7.5	2.0 ~ 13.0	99	

3D056410

#### NOTES

- Cooling capacity is based on 27°CDB / 19°CWB (indoor temperature), 35°CDB (outdoor temperature). Heating capacity is based on 20°CDB (indoor temperature), 7°CDB/6°CWB (outdoor temperature).
- The total ability of connected a indoor unit is up to 11.0 kW
- It is impossible to connect the indoor unit for one room only.
- The above is the value for connecting with the following indoor units.  
2.0, 2.5, 3.5, 5.0 kW class: wall mounted D series  
6.0 kW class: wall mounted F series
- Capacities are based on the following conditions:  
Corresponding refrigerant piping length : 5m  
Level difference : 0m
- The bold line  is indicated the rated combination of indoor unit.

# 4 Capacity tables

## 4 - 1 Combination table

Heating [50Hz 230V]													
Outdoor unit	Combination of indoor unit	Capacity of each indoor unit											
		Each capacity (kW)				Total capacity (kW)		Total input (W)		Total current (A)		Power factor %	
		A Room	B Room	C Room	D Room	Rating	(Min.-max.)	Rating	(Min.-max.)	Rating	(Min.-max.)	Rating	
4MXS68F2V1B	2.0	2.72	---	---	---	2.72	1.51 ~ 3.93	740	440 ~ 1270	3.3	2.0 ~ 5.6	98	
	2.5	3.40	---	---	---	3.40	1.47 ~ 4.13	1030	430 ~ 1370	4.6	1.9 ~ 6.1	98	
	3.5	4.30	---	---	---	4.30	1.48 ~ 4.52	1420	410 ~ 1610	6.2	1.8 ~ 7.1	99	
	5.0	---	---	7.20	---	5.60	1.65 ~ 5.76	2130	390 ~ 2260	9.4	1.7 ~ 9.9	99	
	6.0	---	---	7.90	---	7.90	1.92 ~ 8.57	2650	410 ~ 2720	11.6	1.8 ~ 11.9	99	
	2.0+2.0	3.25	3.25	---	---	6.50	1.62 ~ 7.64	1870	380 ~ 2250	8.2	1.7 ~ 9.9	99	
	2.0+2.5	3.04	3.81	---	---	6.85	1.62 ~ 7.81	2050	380 ~ 2330	9.0	1.7 ~ 10.2	99	
	2.0+3.5	2.71	4.74	---	---	7.45	1.76 ~ 8.34	2340	390 ~ 2640	10.3	1.7 ~ 11.6	99	
	2.0+5.0	2.46	---	6.14	---	8.60	2.14 ~ 10.15	2800	480 ~ 3260	12.3	2.1 ~ 14.3	99	
	2.0+6.0	2.15	---	6.45	---	8.60	2.41 ~ 10.34	2430	510 ~ 2980	10.7	2.2 ~ 13.1	99	
	2.5+2.5	3.60	3.60	---	---	7.20	1.62 ~ 8.16	2240	380 ~ 2560	9.8	1.7 ~ 11.2	99	
	2.5+3.5	3.29	4.61	---	---	7.90	1.85 ~ 8.68	2580	400 ~ 2890	11.3	1.8 ~ 12.7	99	
	2.5+5.0	2.87	---	5.73	---	8.60	2.23 ~ 10.27	2800	490 ~ 3330	12.3	2.2 ~ 14.6	99	
	2.5+6.0	2.53	---	6.07	---	8.60	2.50 ~ 10.46	2430	530 ~ 3010	10.7	2.3 ~ 13.2	99	
	3.5+3.5	4.30	4.30	---	---	8.60	2.13 ~ 9.02	2930	450 ~ 3110	12.9	2.0 ~ 13.7	99	
	3.5+5.0	3.54	---	5.06	---	8.60	2.51 ~ 10.48	2790	540 ~ 3400	12.3	2.4 ~ 14.9	99	
	3.5+6.0	3.17	---	5.43	---	8.60	2.69 ~ 10.59	2420	550 ~ 3000	10.6	2.4 ~ 13.2	99	
	5.0+5.0	---	---	4.30	4.30	8.60	2.88 ~ 10.67	2700	630 ~ 3210	11.9	2.8 ~ 14.1	99	
	5.0+6.0	---	---	3.91	4.69	8.60	3.08 ~ 10.66	2390	640 ~ 2960	10.5	2.8 ~ 13.0	99	
	2.0+2.0+2.0	2.63	2.63	2.63	---	7.89	1.97 ~ 10.04	2050	440 ~ 2700	9.0	1.9 ~ 11.9	99	
	2.0+2.0+2.5	2.54	2.54	3.17	---	8.25	2.06 ~ 10.12	2180	450 ~ 2740	9.6	2.0 ~ 12.0	99	
	2.0+2.0+3.5	2.29	2.29	4.02	---	8.60	2.26 ~ 10.22	2340	470 ~ 2880	10.3	2.1 ~ 12.6	99	
	2.0+2.0+5.0	1.91	1.91	4.78	---	8.60	2.66 ~ 10.40	2340	580 ~ 2960	10.3	2.5 ~ 13.0	99	
	2.0+2.0+6.0	1.72	1.72	5.16	---	8.60	2.87 ~ 10.53	2120	580 ~ 2670	9.3	2.5 ~ 11.7	99	
	2.0+2.5+2.5	2.46	3.07	3.07	---	8.60	2.16 ~ 10.13	2350	460 ~ 2840	10.3	2.0 ~ 12.5	99	
	2.0+2.5+3.5	2.15	2.69	3.76	---	8.60	2.35 ~ 10.22	2340	490 ~ 2880	10.3	2.2 ~ 12.6	99	
	2.0+2.5+5.0	1.81	2.26	4.53	---	8.60	2.75 ~ 10.63	2320	600 ~ 2990	10.2	2.6 ~ 13.1	99	
	2.0+2.5+6.0	1.64	2.05	4.91	---	8.60	2.96 ~ 10.64	2100	600 ~ 2640	9.2	2.6 ~ 11.6	99	
	2.0+3.5+3.5	1.92	3.34	3.34	---	8.60	2.64 ~ 10.35	2310	550 ~ 2930	10.1	2.4 ~ 12.9	99	
	2.0+3.5+5.0	1.64	2.87	4.09	---	8.60	2.94 ~ 10.68	2290	620 ~ 3060	10.1	2.7 ~ 13.4	99	
	2.5+2.5+2.5	2.86	2.86	2.86	---	8.58	2.26 ~ 10.24	2350	480 ~ 2870	10.3	2.1 ~ 12.6	99	
	2.5+2.5+3.5	2.53	2.53	3.54	---	8.60	2.45 ~ 10.45	2340	510 ~ 2960	10.3	2.2 ~ 13.0	99	
	2.5+2.5+5.0	2.15	2.15	4.30	---	8.60	2.85 ~ 10.64	2290	620 ~ 3020	10.1	2.7 ~ 13.3	99	
	2.5+2.5+6.0	1.95	1.95	4.70	---	8.60	3.06 ~ 10.65	2080	620 ~ 2640	9.1	2.7 ~ 11.6	99	
	2.5+3.5+3.5	2.26	3.17	3.17	---	8.60	2.73 ~ 10.58	2310	560 ~ 2960	10.1	2.5 ~ 13.0	99	
	2.5+3.5+5.0	1.95	2.74	3.91	---	8.60	3.13 ~ 10.65	2290	640 ~ 2980	10.1	2.8 ~ 13.1	99	
	3.5+3.5+3.5	2.86	2.86	2.86	---	8.58	2.92 ~ 10.63	2290	610 ~ 3030	10.1	2.7 ~ 13.3	99	

3D056407

### NOTES

- Cooling capacity is based on 27°CDB / 19°CWB (indoor temperature), 35°CDB (outdoor temperature).  
Heating capacity is based on 20°CDB (indoor temperature), 7°CDB/6°CWB (outdoor temperature).
- The total ability of connected a indoor unit is up to 11.0 kW
- It is impossible to connect the indoor unit for one room only.
- The above is the value for connecting with the following indoor units.  
2.0, 2.5, 3.5, 5.0 kW class: wall mounted D series  
6.0 kW class: wall mounted F series
- Capacities are based on the following conditions:  
Corresponding refrigerant piping length : 5m  
Level difference : 0m

## 4 Capacity tables

### 4 - 1 Combination table

4

#### Heating [50Hz 230V]

Outdoor unit	Combination of indoor unit	Capacity of each indoor unit											
		Each capacity (kW)				Total capacity (kW)		Total input (W)		Total current (A)		Power factor %	
		A Room	B Room	C Room	D Room	Rating	(Min.-max.)	Rating	(Min.-max.)	Rating	(Min.-max.)	Rating	
4MXS68F2V1B	2.0+2.0+2.0+2.0	2.15	2.15	2.15	2.15	8.60	2.42 ~ 10.39	1910	520 ~ 2610	8.4	2.3 ~ 11.5	99	
	2.0+2.0+2.0+2.5	2.02	2.02	2.02	2.54	8.60	2.52 ~ 10.48	1910	530 ~ 2570	8.4	2.3 ~ 11.3	99	
	2.0+2.0+2.0+3.5	1.81	1.81	1.81	3.17	8.60	2.72 ~ 10.58	1900	570 ~ 2630	8.3	2.5 ~ 11.6	99	
	2.0+2.0+2.0+5.0	1.56	1.56	1.56	3.92	8.60	3.04 ~ 10.65	1860	630 ~ 2540	8.2	2.8 ~ 11.2	99	
	2.0+2.0+2.5+2.5	1.91	1.91	2.39	2.39	8.60	2.62 ~ 10.49	1910	550 ~ 2570	8.4	2.4 ~ 11.3	99	
	2.0+2.0+2.5+3.5	1.72	1.72	2.15	3.01	8.60	2.92 ~ 10.59	1900	600 ~ 2630	8.3	2.6 ~ 11.6	99	
	2.0+2.0+3.5+3.5	1.56	1.56	2.74	2.74	8.60	3.12 ~ 10.69	1900	650 ~ 2660	8.3	2.9 ~ 11.7	99	
	2.0+2.5+2.5+2.5	1.82	2.26	2.26	2.26	8.60	2.72 ~ 10.49	1910	570 ~ 2570	8.4	2.5 ~ 11.3	99	
	2.0+2.5+2.5+3.5	1.64	2.05	2.05	2.86	8.60	3.02 ~ 10.68	1900	630 ~ 2670	8.3	2.8 ~ 11.7	99	
	2.5+2.5+2.5+2.5	2.15	2.15	2.15	2.15	8.60	2.82 ~ 10.67	1910	570 ~ 2590	8.4	2.5 ~ 11.4	99	
	2.5+2.5+2.5+3.5	1.95	1.95	1.95	2.75	8.60	3.12 ~ 10.68	1880	640 ~ 2580	8.3	2.8 ~ 11.3	99	

3D056408

#### NOTES

- Cooling capacity is based on 27°CDB / 19°CWB (indoor temperature), 35°CDB (outdoor temperature).  
Heating capacity is based on 20°CDB (indoor temperature), 7°CDB/6°CWB (outdoor temperature).
- The total ability of connected a indoor unit is up to 11.0 kW
- It is impossible to connect the indoor unit for one room only.
- The above is the value for connecting with the following indoor units.  
2.0, 2.5, 3.5, 5.0 kW class: wall mounted D series  
6.0 kW class: wall mounted F series
- Capacities are based on the following conditions:  
Corresponding refrigerant piping length : 5m  
Level difference : 0m
- The bold line  is indicated the rated combination of indoor unit.

# 4 Capacity tables

## 4 - 1 Combination table

Heating [50Hz 230V]													
Outdoor unit	Combination of indoor unit	Capacity of each indoor unit											
		Each capacity (kW)				Total capacity (kW)		Total input (W)		Total current (A)		Power factor %	
		A Room	B Room	C Room	D Room	Rating	(Min.-max.)	Rating	(Min.-max.)	Rating	(Min.-max.)	Rating	
4MXS68F2V1B	2.0	2.72	---	---	---	2.72	1.51 ~ 3.93	740	440 ~ 1270	3.3	2.0 ~ 5.6	98	
	2.5	3.40	---	---	---	3.40	1.47 ~ 4.13	1030	430 ~ 1370	4.6	1.9 ~ 6.1	98	
	3.5	4.30	---	---	---	4.30	1.48 ~ 4.52	1420	410 ~ 1610	6.2	1.8 ~ 7.1	99	
	5.0	---	---	7.20	---	5.60	1.69 ~ 5.71	1840	400 ~ 1960	8.1	1.8 ~ 8.6	99	
	6.0	---	---	7.90	---	7.90	1.92 ~ 8.57	2650	410 ~ 2720	11.6	1.8 ~ 11.9	99	
	2.0+2.0	3.25	3.25	---	---	6.50	1.62 ~ 7.64	1870	380 ~ 2250	8.2	1.7 ~ 9.9	99	
	2.0+2.5	3.04	3.81	---	---	6.85	1.62 ~ 7.81	2050	380 ~ 2330	9.0	1.7 ~ 10.2	99	
	2.0+3.5	2.71	4.74	---	---	7.45	1.76 ~ 8.34	2340	390 ~ 2640	10.3	1.7 ~ 11.6	99	
	2.0+5.0	2.46	---	6.14	---	8.60	2.11 ~ 10.16	2500	430 ~ 2910	11.0	1.9 ~ 12.8	99	
	2.0+6.0	2.15	---	6.45	---	8.60	2.41 ~ 10.34	2430	510 ~ 2980	10.7	2.2 ~ 13.1	99	
	2.5+2.5	3.60	3.60	---	---	7.20	1.62 ~ 8.16	2240	380 ~ 2560	9.8	1.7 ~ 11.2	99	
	2.5+3.5	3.29	4.61	---	---	7.90	1.85 ~ 8.68	2580	400 ~ 2890	11.3	1.8 ~ 12.7	99	
	2.5+5.0	2.87	---	5.73	---	8.60	2.21 ~ 10.28	2500	450 ~ 2970	11.0	2.0 ~ 13.0	99	
	2.5+6.0	2.53	---	6.07	---	8.60	2.50 ~ 10.46	2430	530 ~ 3010	10.7	2.3 ~ 13.2	99	
	3.5+3.5	4.30	4.30	---	---	8.60	2.13 ~ 9.02	2930	450 ~ 3110	12.9	2.0 ~ 13.7	99	
	3.5+5.0	3.54	---	5.06	---	8.60	2.49 ~ 10.41	2490	490 ~ 3000	10.9	2.2 ~ 13.2	99	
	3.5+6.0	3.17	---	5.43	---	8.60	2.69 ~ 10.59	2420	550 ~ 3000	10.6	2.4 ~ 13.2	99	
	5.0+5.0	---	---	4.30	4.30	8.60	2.88 ~ 10.60	2160	520 ~ 2550	9.5	2.3 ~ 11.2	99	
	5.0+6.0	---	---	3.91	4.69	8.60	3.09 ~ 10.68	2140	570 ~ 2670	9.4	2.5 ~ 11.7	99	
	2.0+2.0+2.0	2.63	2.63	2.63	---	7.89	1.97 ~ 10.04	2050	440 ~ 2700	9.0	1.9 ~ 11.9	99	
	2.0+2.0+2.5	2.54	2.54	3.17	---	8.25	2.06 ~ 10.12	2180	450 ~ 2740	9.6	2.0 ~ 12.0	99	
	2.0+2.0+3.5	2.29	2.29	4.02	---	8.60	2.26 ~ 10.22	2340	470 ~ 2880	10.3	2.1 ~ 12.6	99	
	2.0+2.0+5.0	1.91	1.91	4.78	---	8.60	2.66 ~ 10.42	2180	510 ~ 2670	9.6	2.2 ~ 11.7	99	
	2.0+2.0+6.0	1.72	1.72	5.16	---	8.60	2.87 ~ 10.53	2120	580 ~ 2670	9.3	2.5 ~ 11.7	99	
	2.0+2.5+2.5	2.46	3.07	3.07	---	8.60	2.16 ~ 10.13	2350	460 ~ 2840	10.3	2.0 ~ 12.5	99	
	2.0+2.5+3.5	2.15	2.69	3.76	---	8.60	2.35 ~ 10.22	2340	490 ~ 2880	10.3	2.2 ~ 12.6	99	
	2.0+2.5+5.0	1.81	2.26	4.53	---	8.60	2.75 ~ 10.66	2120	530 ~ 2690	9.3	2.3 ~ 11.8	99	
	2.0+2.5+6.0	1.64	2.05	4.91	---	8.60	2.96 ~ 10.64	2100	600 ~ 2640	9.2	2.6 ~ 11.6	99	
	2.0+3.5+3.5	1.92	3.34	3.34	---	8.60	2.64 ~ 10.35	2310	550 ~ 2930	10.1	2.4 ~ 12.9	99	
	2.0+3.5+5.0	1.64	2.87	4.09	---	8.60	2.95 ~ 10.70	2050	550 ~ 2760	9.0	2.4 ~ 12.1	99	
	2.5+2.5+2.5	2.86	2.86	2.86	---	8.58	2.26 ~ 10.24	2350	480 ~ 2870	10.3	2.1 ~ 12.6	99	
	2.5+2.5+3.5	2.53	2.53	3.54	---	8.60	2.45 ~ 10.45	2340	510 ~ 2960	10.3	2.2 ~ 13.0	99	
	2.5+2.5+5.0	2.15	2.15	4.30	---	8.60	2.85 ~ 10.66	2100	540 ~ 2720	9.2	2.4 ~ 11.9	99	
	2.5+2.5+6.0	1.95	1.95	4.70	---	8.60	3.06 ~ 10.65	2080	620 ~ 2640	9.1	2.7 ~ 11.6	99	
	2.5+3.5+3.5	2.26	3.17	3.17	---	8.60	2.73 ~ 10.58	2310	560 ~ 2960	10.1	2.5 ~ 13.0	99	
	2.5+3.5+5.0	1.95	2.74	3.91	---	8.60	3.05 ~ 10.67	2050	540 ~ 2690	9.0	2.4 ~ 11.8	99	
	3.5+3.5+3.5	2.86	2.86	2.86	---	8.58	2.92 ~ 10.63	2290	610 ~ 3030	10.1	2.7 ~ 13.3	99	

3D056411

### NOTES

- Cooling capacity is based on 27°CDB / 19°CWB (indoor temperature), 35°CDB (outdoor temperature).  
Heating capacity is based on 20°CDB (indoor temperature), 7°CDB/6°CWB (outdoor temperature).
- The total ability of connected a indoor unit is up to 11.0 kW
- It is impossible to connect the indoor unit for one room only.
- The above is the value for connecting with the following indoor units.  
2.0, 2.5, 3.5, 5.0 kW class: wall mounted D series  
6.0 kW class: wall mounted F series
- Capacities are based on the following conditions:  
Corresponding refrigerant piping length : 5m  
Level difference : 0m

# 4 Capacity tables

## 4 - 1 Combination table

4

### Heating [50Hz 230V]

Outdoor unit	Combination of indoor unit	Capacity of each indoor unit											
		Each capacity (kW)				Total capacity (kW)		Total input (W)		Total current (A)		Power factor %	
		A Room	B Room	C Room	D Room	Rating	(Min.-max.)	Rating	(Min.-max.)	Rating	(Min.-max.)	Rating	
4MXS68F2V1B	2.0+2.0+2.0+2.0	2.15	2.15	2.15	2.15	8.60	2.42 ~ 10.39	1910	520 ~ 2610	8.4	2.3 ~ 11.5	99	
	2.0+2.0+2.0+2.5	2.02	2.02	2.02	2.54	8.60	2.52 ~ 10.48	1910	530 ~ 2570	8.4	2.3 ~ 11.3	99	
	2.0+2.0+2.0+3.5	1.81	1.81	1.81	3.17	8.60	2.72 ~ 10.58	1900	570 ~ 2630	8.3	2.5 ~ 11.6	99	
	2.0+2.0+2.0+5.0	1.56	1.56	1.56	3.92	8.60	3.06 ~ 10.68	1820	600 ~ 2450	8.0	2.6 ~ 10.8	99	
	2.0+2.0+2.5+2.5	1.91	1.91	2.39	2.39	8.60	2.62 ~ 10.49	1910	550 ~ 2570	8.4	2.4 ~ 11.3	99	
	2.0+2.0+2.5+3.5	1.72	1.72	2.15	3.01	8.60	2.92 ~ 10.59	1900	600 ~ 2630	8.3	2.6 ~ 11.6	99	
	2.0+2.0+3.5+3.5	1.56	1.56	2.74	2.74	8.60	3.12 ~ 10.69	1900	650 ~ 2660	8.3	2.9 ~ 11.7	99	
	2.0+2.5+2.5+2.5	1.82	2.26	2.26	2.26	8.60	2.72 ~ 10.49	1910	570 ~ 2570	8.4	2.5 ~ 11.3	99	
	2.0+2.5+2.5+3.5	1.64	2.05	2.05	2.86	8.60	3.02 ~ 10.68	1900	630 ~ 2670	8.3	2.8 ~ 11.7	99	
	2.5+2.5+2.5+2.5	2.15	2.15	2.15	2.15	8.60	2.82 ~ 10.67	1910	570 ~ 2590	8.4	2.5 ~ 11.4	99	
	2.5+2.5+2.5+3.5	1.95	1.95	1.95	2.75	8.60	3.12 ~ 10.68	1880	640 ~ 2580	8.3	2.8 ~ 11.3	99	

3D056412

### NOTES

- Cooling capacity is based on 27°CDB / 19°CWB (indoor temperature), 35°CDB (outdoor temperature). Heating capacity is based on 20°CDB (indoor temperature), 7°CDB/6°CWB (outdoor temperature).
- The total ability of connected a indoor unit is up to 11.0 kW
- It is impossible to connect the indoor unit for one room only.
- The above is the value for connecting with the following indoor units.  
2.0, 2.5, 3.5, 5.0 kW class: wall mounted D series  
6.0 kW class: wall mounted F series
- Capacities are based on the following conditions:  
Corresponding refrigerant piping length : 5m  
Level difference : 0m
- The bold line  is indicated the rated combination of indoor unit.

## 4 Capacity tables

### 4 - 2 Cooling capacity tables

2MXS40FV1B													
Cooling [50Hz 230V]													
Combination (Capacity)	Outdoor air temp. °CDB	Indoor air temp.: °CWB											
		14°C		16°C		18°C		19°C		22°C		24°C	
		TC kW	PI kW	TC kW	PI kW	TC kW	PI kW	TC kW	PI kW	TC kW	PI kW	TC kW	PI kW
2.5+2.5	10.0	4.81	0.89	5.00	0.91	5.20	0.93	5.30	0.94	5.60	0.97	5.80	0.99
	12.0	4.73	0.91	4.92	0.93	5.12	0.95	5.22	0.96	5.52	0.99	5.72	1.01
	15.0	4.61	0.94	4.80	0.96	5.00	0.98	5.10	0.99	5.40	1.02	5.60	1.04
	18.0	4.49	0.97	4.68	0.99	4.88	1.01	4.98	1.02	5.28	1.05	5.48	1.07
	20.0	4.41	1.00	4.60	1.02	4.80	1.04	4.90	1.05	5.20	1.08	5.40	1.09
	22.0	4.33	1.02	4.52	1.04	4.72	1.06	4.82	1.07	5.12	1.10	5.32	1.12
	25.0	4.21	1.06	4.40	1.08	4.60	1.10	4.70	1.11	5.00	1.14	5.20	1.15
	28.0	4.09	1.09	4.28	1.11	4.48	1.13	4.58	1.14	4.88	1.17	5.08	1.19
	32.0	3.92	1.15	4.12	1.17	4.32	1.19	4.42	1.20	4.72	1.23	4.92	1.25
	35.0	3.80	1.19	4.00	1.21	4.20	1.23	<b>4.30</b>	<b>1.24</b>	4.60	1.27	4.80	1.29
	40.0	3.60	1.27	3.80	1.29	4.00	1.31	4.10	1.32	4.40	1.35	4.60	1.37
	43.0	3.48	1.32	3.68	1.34	3.88	1.36	3.98	1.37	4.28	1.40	4.47	1.42
	46.0	3.26	1.30	3.41	1.30	3.57	1.30	3.64	1.30	3.86	1.30	4.00	1.30
2.5+3.5	10.0	5.03	0.97	5.24	0.99	5.44	1.01	5.55	1.03	5.86	1.06	6.07	1.08
	12.0	4.95	0.99	5.15	1.01	5.36	1.04	5.46	1.05	5.77	1.08	5.98	1.10
	15.0	4.82	1.02	5.03	1.05	5.23	1.07	5.34	1.08	5.65	1.11	5.86	1.13
	18.0	4.69	1.06	4.90	1.08	5.11	1.10	5.21	1.11	5.52	1.15	5.73	1.17
	20.0	4.61	1.08	4.82	1.11	5.02	1.13	5.13	1.14	5.44	1.17	5.65	1.19
	22.0	4.53	1.11	4.73	1.13	4.94	1.15	5.04	1.16	5.36	1.20	5.56	1.22
	25.0	4.40	1.15	4.61	1.17	4.82	1.19	4.92	1.20	5.23	1.24	5.44	1.26
	28.0	4.28	1.19	4.48	1.21	4.69	1.23	4.79	1.25	5.10	1.28	5.31	1.30
	32.0	4.11	1.25	4.31	1.27	4.52	1.29	4.63	1.30	4.94	1.34	5.14	1.36
	35.0	3.98	1.30	4.19	1.32	4.40	1.34	<b>4.50</b>	<b>1.35</b>	4.81	1.38	5.02	1.41
	40.0	3.77	1.38	3.98	1.40	4.19	1.42	4.29	1.43	4.60	1.47	4.81	1.49
	43.0	3.65	1.43	3.85	1.45	4.06	1.48	4.16	1.49	4.44	1.50	4.60	1.50
	46.0	3.23	1.30	3.38	1.30	3.53	1.30	3.60	1.30	3.81	1.30	3.95	1.30

3D055829

#### SYMBOLS

TC : Total cooling capacity (kW)  
PI : Power input (kW)

#### NOTES

- Capacities are based on following conditions  
Corresponding refrigerant piping length : 5.0m  
Level difference : 0m
- The bold line **□** is indicated the standard condition.  
The above is the value for connecting with the following indoor units.  
2.0, 2.5, 3.5kW class; wall mounted D, E (NW-S) series.

## 4 Capacity tables

### 4 - 2 Cooling capacity tables

#### 2MXS40FV1B

Cooling [50Hz 230V]

Combination (Capacity)	Outdoor air temp. °CDB	Indoor air temp.: °CWB											
		14°C		16°C		18°C		19°C		22°C		24°C	
		TC kW	PI kW	TC kW	PI kW	TC kW	PI kW	TC kW	PI kW	TC kW	PI kW	TC kW	PI kW
2.5+2.5	10.0	4.81	0.92	5.00	0.94	5.20	0.96	5.30	0.97	5.60	1.00	5.80	1.02
	12.0	4.73	0.94	4.92	0.96	5.12	0.98	5.22	0.99	5.52	1.02	5.72	1.04
	15.0	4.61	0.97	4.80	0.99	5.00	1.01	5.10	1.02	5.40	1.05	5.60	1.07
	18.0	4.49	1.00	4.68	1.03	4.88	1.05	4.98	1.06	5.28	1.09	5.48	1.11
	20.0	4.41	1.03	4.60	1.05	4.80	1.07	4.90	1.08	5.20	1.11	5.40	1.13
	22.0	4.33	1.05	4.52	1.07	4.72	1.09	4.82	1.10	5.12	1.13	5.32	1.15
	25.0	4.21	1.09	4.40	1.11	4.60	1.13	4.70	1.14	5.00	1.17	5.20	1.19
	28.0	4.09	1.13	4.28	1.15	4.48	1.17	4.58	1.18	4.88	1.21	5.08	1.23
	32.0	3.92	1.19	4.12	1.21	4.32	1.23	4.42	1.24	4.72	1.27	4.92	1.29
	35.0	3.80	1.23	4.00	1.25	4.20	1.27	4.30	1.28	4.60	1.31	4.80	1.33
	40.0	3.60	1.31	3.80	1.33	4.00	1.35	4.10	1.36	4.40	1.39	4.60	1.41
	43.0	3.48	1.36	3.68	1.38	3.88	1.40	3.98	1.41	4.28	1.44	4.47	1.46
46.0	3.19	1.30	3.34	1.30	3.49	1.30	3.56	1.30	3.78	1.30	3.91	1.30	
2.5+3.5	10.0	5.03	1.01	5.24	1.04	5.44	1.06	5.55	1.07	5.86	1.10	6.07	1.13
	12.0	4.95	1.04	5.15	1.06	5.36	1.08	5.46	1.09	5.77	1.13	5.98	1.15
	15.0	4.82	1.07	5.03	1.09	5.23	1.12	5.34	1.13	5.65	1.16	5.86	1.18
	18.0	4.69	1.11	4.90	1.13	5.11	1.15	5.21	1.16	5.52	1.20	5.73	1.22
	20.0	4.61	1.13	4.82	1.15	5.02	1.18	5.13	1.19	5.44	1.22	5.65	1.25
	22.0	4.53	1.16	4.73	1.18	4.94	1.20	5.04	1.22	5.36	1.25	5.56	1.27
	25.0	4.40	1.20	4.61	1.22	4.82	1.25	4.92	1.26	5.23	1.29	5.44	1.31
	28.0	4.28	1.24	4.48	1.27	4.69	1.29	4.79	1.30	5.10	1.33	5.31	1.36
	32.0	4.11	1.31	4.31	1.33	4.52	1.35	4.63	1.36	4.94	1.40	5.14	1.42
	35.0	3.98	1.36	4.19	1.38	4.40	1.40	4.50	1.41	4.81	1.45	5.02	1.47
	40.0	3.77	1.44	3.98	1.46	4.19	1.49	4.29	1.50	4.60	1.53	4.81	1.55
	43.0	3.65	1.50	3.83	1.50	4.00	1.50	4.08	1.50	4.32	1.50	4.47	1.50
46.0	3.15	1.30	3.30	1.30	3.44	1.30	3.51	1.30	3.71	1.30	3.85	1.30	

3D055833

#### SYMBOLS

TC : Total cooling capacity (kW)  
PI : Power input (kW)

#### NOTES

- Capacities are based on following conditions  
Corresponding refrigerant piping length : 5.0m  
Level difference : 0m
- The bold line **□** is indicated the standard condition.  
The above is the value for connecting with the following indoor units.  
2.0, 2.5, 3.5kW class; wall mounted C, D (GMS5) series.

# 4 Capacity tables

## 4 - 2 Cooling capacity tables

2MXS40FV1B Cooling [50Hz 230V]													
Combination (Capacity)	Outdoor air temp. °CDB	Indoor air temp.: °CWB											
		14°C		16°C		18°C		19°C		22°C		24°C	
		TC kW	PI kW	TC kW	PI kW	TC kW	PI kW	TC kW	PI kW	TC kW	PI kW	TC kW	PI kW
2.0	10.0	2.68	0.42	2.79	0.43	2.90	0.44	2.96	0.45	3.12	0.46	3.24	0.47
	12.0	2.64	0.43	2.75	0.44	2.86	0.45	2.91	0.46	3.08	0.47	3.19	0.48
	15.0	2.57	0.45	2.68	0.46	2.79	0.47	2.85	0.47	3.01	0.49	3.12	0.50
	18.0	2.50	0.46	2.61	0.47	2.72	0.48	2.78	0.49	2.95	0.50	3.06	0.51
	20.0	2.46	0.47	2.57	0.48	2.68	0.49	2.74	0.50	2.90	0.51	3.01	0.52
	22.0	2.41	0.48	2.52	0.49	2.64	0.50	2.69	0.51	2.86	0.52	2.97	0.53
	25.0	2.35	0.50	2.46	0.51	2.57	0.52	2.62	0.53	2.79	0.54	2.90	0.55
	28.0	2.28	0.52	2.39	0.53	2.50	0.54	2.56	0.54	2.72	0.56	2.83	0.57
	32.0	2.19	0.55	2.30	0.56	2.41	0.57	2.47	0.57	2.63	0.58	2.74	0.59
	35.0	2.12	0.57	2.23	0.58	2.34	0.59	<b>2.40</b>	<b>0.59</b>	2.57	0.60	2.68	0.61
	40.0	2.01	0.60	2.12	0.61	2.23	0.62	2.29	0.63	2.45	0.64	2.56	0.65
	43.0	1.94	0.63	2.06	0.64	2.17	0.65	2.22	0.65	2.39	0.66	2.50	0.67
	46.0	1.88	0.65	1.99	0.66	2.10	0.67	2.15	0.67	2.32	0.69	2.43	0.70
	2.5	10.0	3.22	0.56	3.49	0.60	3.63	0.62	3.70	0.62	3.91	0.64	4.04
12.0		3.22	0.58	3.44	0.62	3.57	0.63	3.64	0.64	3.85	0.66	3.99	0.67
15.0		3.21	0.62	3.35	0.64	3.49	0.65	3.56	0.66	3.77	0.67	3.90	0.69
18.0		3.13	0.64	3.27	0.66	3.41	0.67	3.47	0.68	3.68	0.70	3.82	0.71
20.0		3.07	0.66	3.21	0.67	3.35	0.68	3.42	0.69	3.63	0.71	3.76	0.72
22.0		3.02	0.67	3.16	0.69	3.29	0.70	3.36	0.71	3.57	0.73	3.71	0.74
25.0		2.93	0.70	3.07	0.71	3.21	0.72	3.28	0.73	3.49	0.75	3.62	0.76
28.0		2.85	0.72	2.99	0.74	3.13	0.75	3.20	0.76	3.40	0.78	3.54	0.79
32.0		2.74	0.76	2.88	0.77	3.01	0.79	3.08	0.79	3.29	0.81	3.43	0.83
35.0		2.65	0.79	2.79	0.80	2.93	0.81	<b>3.00</b>	<b>0.82</b>	3.21	0.84	3.35	0.85
40.0		2.51	0.84	2.65	0.85	2.79	0.86	2.86	0.87	3.07	0.89	3.21	0.90
43.0		2.43	0.87	2.57	0.88	2.71	0.90	2.78	0.90	2.98	0.92	3.12	0.94
46.0		2.35	0.90	2.49	0.92	2.62	0.93	2.69	0.94	2.90	0.96	3.04	0.97
3.5		10.0	3.29	0.67	4.04	0.85	4.84	1.06	4.93	1.07	5.21	1.10	5.39
	12.0	3.29	0.70	4.04	0.89	4.76	1.08	4.86	1.09	5.13	1.13	5.32	1.15
	15.0	3.29	0.74	4.04	0.95	4.65	1.12	4.75	1.13	5.02	1.16	5.21	1.18
	18.0	3.29	0.78	4.04	1.01	4.54	1.15	4.63	1.16	4.91	1.20	5.09	1.22
	20.0	3.29	0.83	4.04	1.06	4.47	1.18	4.56	1.19	4.84	1.22	5.02	1.25
	22.0	3.29	0.87	4.04	1.11	4.39	1.20	4.48	1.22	4.76	1.25	4.94	1.27
	25.0	3.29	0.93	4.04	1.20	4.28	1.25	4.37	1.26	4.65	1.29	4.83	1.31
	28.0	3.29	1.01	3.98	1.27	4.17	1.29	4.26	1.30	4.54	1.33	4.72	1.36
	32.0	3.29	1.12	3.84	1.33	4.02	1.35	4.11	1.36	4.39	1.40	4.57	1.42
	35.0	3.29	1.21	3.72	1.38	3.91	1.40	<b>4.00</b>	<b>1.41</b>	4.28	1.45	4.46	1.47
	40.0	3.29	1.40	3.54	1.46	3.72	1.49	3.81	1.50	4.09	1.53	4.27	1.55
	43.0	3.24	1.50	3.40	1.50	3.56	1.50	3.63	1.50	3.85	1.50	3.98	1.50
	46.0	2.82	1.30	2.95	1.30	3.08	1.30	3.15	1.30	3.33	1.30	3.45	1.30

3D055828#A

### SYMBOLS

TC : Total cooling capacity (kW)  
PI : Power input (kW)

### NOTES

- Capacities are based on following conditions  
Corresponding refrigerant piping length : 5.0m  
Level difference : 0m
- The bold line **□** is indicated the standard condition.  
The above is the value for connecting with the following indoor units.  
2.0, 2.5, 3.5kW class; wall mounted D, E (NW-S) series.



# 4 Capacity tables

## 4 - 2 Cooling capacity tables

4

2MXS40FV1B Cooling [50Hz 230V]													
Combination (Capacity)	Outdoor air temp. °CDB	Indoor air temp.: °CWB											
		14°C		16°C		18°C		19°C		22°C		24°C	
		TC kW	PI kW	TC kW	PI kW	TC kW	PI kW	TC kW	PI kW	TC kW	PI kW	TC kW	PI kW
2.0	10.0	2.68	0.44	2.79	0.45	2.90	0.46	2.96	0.46	3.12	0.48	3.24	0.49
	12.0	2.64	0.45	2.75	0.46	2.86	0.47	2.91	0.47	3.08	0.49	3.19	0.50
	15.0	2.57	0.46	2.68	0.47	2.79	0.48	2.85	0.49	3.01	0.50	3.12	0.51
	18.0	2.50	0.48	2.61	0.49	2.72	0.50	2.78	0.50	2.95	0.52	3.06	0.53
	20.0	2.46	0.49	2.57	0.50	2.68	0.51	2.74	0.51	2.90	0.53	3.01	0.54
	22.0	2.41	0.50	2.52	0.51	2.64	0.52	2.69	0.53	2.86	0.54	2.97	0.55
	25.0	2.35	0.52	2.46	0.53	2.57	0.54	2.62	0.54	2.79	0.56	2.90	0.57
	28.0	2.28	0.54	2.39	0.55	2.50	0.56	2.56	0.56	2.72	0.58	2.83	0.59
	32.0	2.19	0.57	2.30	0.57	2.41	0.58	2.47	0.59	2.63	0.60	2.74	0.61
	35.0	2.12	0.59	2.23	0.60	2.34	0.61	<b>2.40</b>	<b>0.61</b>	2.57	0.63	2.68	0.64
	40.0	2.01	0.62	2.12	0.63	2.23	0.64	2.29	0.65	2.45	0.66	2.56	0.67
	43.0	1.94	0.65	2.06	0.66	2.17	0.67	2.22	0.67	2.39	0.69	2.50	0.70
	46.0	1.88	0.67	1.99	0.68	2.10	0.69	2.15	0.70	2.32	0.71	2.43	0.72
2.5	10.0	2.89	0.51	3.49	0.63	3.63	0.65	3.70	0.65	3.91	0.67	4.04	0.69
	12.0	2.89	0.54	3.44	0.65	3.57	0.66	3.64	0.67	3.85	0.69	3.99	0.70
	15.0	2.89	0.57	3.35	0.67	3.49	0.68	3.56	0.69	3.77	0.71	3.90	0.72
	18.0	2.89	0.61	3.27	0.69	3.41	0.70	3.47	0.71	3.68	0.73	3.82	0.74
	20.0	2.89	0.64	3.21	0.70	3.35	0.72	3.42	0.72	3.63	0.75	3.76	0.76
	22.0	2.89	0.67	3.16	0.72	3.29	0.73	3.36	0.74	3.57	0.76	3.71	0.78
	25.0	2.89	0.72	3.07	0.75	3.21	0.76	3.28	0.77	3.49	0.79	3.62	0.80
	28.0	2.85	0.76	2.99	0.77	3.13	0.79	3.20	0.79	3.40	0.81	3.54	0.83
	32.0	2.74	0.80	2.88	0.81	3.01	0.82	3.08	0.83	3.29	0.85	3.43	0.87
	35.0	2.65	0.83	2.79	0.84	2.93	0.85	<b>3.00</b>	<b>0.86</b>	3.21	0.88	3.35	0.90
	40.0	2.51	0.88	2.65	0.89	2.79	0.91	2.86	0.91	3.07	0.93	3.21	0.95
	43.0	2.43	0.91	2.57	0.93	2.71	0.94	2.78	0.95	2.98	0.97	3.12	0.98
	46.0	2.35	0.95	2.49	0.96	2.62	0.98	2.69	0.98	2.90	1.00	3.04	1.02
3.5	10.0	3.07	0.62	3.78	0.79	4.53	0.98	4.93	1.08	5.21	1.12	5.39	1.14
	12.0	3.07	0.65	3.78	0.82	4.53	1.02	4.86	1.11	5.13	1.14	5.32	1.17
	15.0	3.07	0.69	3.78	0.87	4.53	1.09	4.75	1.14	5.02	1.18	5.21	1.20
	18.0	3.07	0.73	3.78	0.93	4.53	1.16	4.63	1.18	4.91	1.21	5.09	1.24
	20.0	3.07	0.77	3.78	0.97	4.47	1.19	4.56	1.21	4.84	1.24	5.02	1.26
	22.0	3.07	0.80	3.78	1.02	4.39	1.22	4.48	1.23	4.76	1.27	4.94	1.29
	25.0	3.07	0.86	3.78	1.10	4.28	1.26	4.37	1.27	4.65	1.31	4.83	1.33
	28.0	3.07	0.92	3.78	1.18	4.17	1.31	4.26	1.32	4.54	1.35	4.72	1.38
	32.0	3.07	1.02	3.78	1.31	4.02	1.37	4.11	1.38	4.39	1.42	4.57	1.44
	35.0	3.07	1.11	3.72	1.40	3.91	1.42	<b>4.00</b>	<b>1.43</b>	4.28	1.47	4.46	1.49
	40.0	3.07	1.27	3.54	1.49	3.72	1.51	3.81	1.52	4.09	1.55	4.27	1.58
	43.0	3.07	1.39	3.38	1.50	3.53	1.50	3.60	1.50	3.81	1.50	3.95	1.50
	46.0	2.80	1.30	2.93	1.30	3.06	1.30	3.12	1.30	3.31	1.30	3.43	1.30

3D055832#A

### SYMBOLS

TC : Total cooling capacity (kW)  
PI : Power input (kW)

### NOTES

- Capacities are based on following conditions  
Corresponding refrigerant piping length : 5.0m  
Level difference : 0m
- The bold line **□** is indicated the standard condition.  
The above is the value for connecting with the following indoor units.  
2.0, 2.5, 3.5kW class; wall mounted C, D (GMS5) series.

# 4 Capacity tables

## 4 - 2 Cooling capacity tables

2MXS40FV1B Cooling [50Hz 230V]													
Combination (Capacity)	Outdoor air temp. °CDB	Indoor air temp.: °CWB											
		14°C		16°C		18°C		19°C		22°C		24°C	
		TC kW	PI kW	TC kW	PI kW	TC kW	PI kW	TC kW	PI kW	TC kW	PI kW	TC kW	PI kW
2.0+2.0	10.0	4.58	0.81	4.77	0.83	4.96	0.85	5.05	0.86	5.34	0.89	5.53	0.90
	12.0	4.51	0.83	4.69	0.85	4.88	0.87	4.98	0.88	5.26	0.90	5.45	0.92
	15.0	4.39	0.86	4.58	0.88	4.77	0.89	4.86	0.90	5.15	0.93	5.34	0.95
	18.0	4.28	0.89	4.47	0.91	4.65	0.92	4.75	0.93	5.03	0.96	5.22	0.98
	20.0	4.20	0.91	4.39	0.93	4.58	0.94	4.67	0.95	4.96	0.98	5.14	1.00
	22.0	4.12	0.93	4.31	0.95	4.50	0.96	4.60	0.97	4.88	1.00	5.07	1.02
	25.0	4.01	0.96	4.20	0.98	4.39	1.00	4.48	1.01	4.77	1.03	4.95	1.05
	28.0	3.90	1.00	4.08	1.02	4.27	1.03	4.37	1.04	4.65	1.07	4.84	1.09
	32.0	3.74	1.05	3.93	1.06	4.12	1.08	4.21	1.09	4.50	1.12	4.69	1.14
	35.0	3.63	1.09	3.82	1.10	4.01	1.12	<b>4.10</b>	<b>1.13</b>	4.38	1.16	4.57	1.18
	40.0	3.44	1.16	3.63	1.17	3.81	1.19	3.91	1.20	4.19	1.23	4.38	1.25
	43.0	3.32	1.20	3.51	1.22	3.70	1.24	3.79	1.24	4.08	1.27	4.27	1.29
	46.0	3.21	1.25	3.40	1.26	3.59	1.28	3.68	1.29	3.93	1.30	4.08	1.30
2.0+2.5	10.0	4.69	0.86	4.89	0.88	5.08	0.89	5.18	0.90	5.47	0.93	5.66	0.95
	12.0	4.62	0.87	4.81	0.89	5.00	0.91	5.10	0.92	5.39	0.95	5.58	0.97
	15.0	4.50	0.90	4.69	0.92	4.89	0.94	4.98	0.95	5.27	0.98	5.47	1.00
	18.0	4.38	0.93	4.57	0.95	4.77	0.97	4.86	0.98	5.16	1.01	5.35	1.03
	20.0	4.30	0.96	4.50	0.97	4.69	0.99	4.79	1.00	5.08	1.03	5.27	1.05
	22.0	4.22	0.98	4.42	1.00	4.61	1.02	4.71	1.03	5.00	1.05	5.19	1.07
	25.0	4.11	1.01	4.30	1.03	4.49	1.05	4.59	1.06	4.88	1.09	5.07	1.11
	28.0	3.99	1.05	4.18	1.07	4.38	1.09	4.47	1.10	4.76	1.13	4.96	1.15
	32.0	3.83	1.10	4.03	1.12	4.22	1.14	4.32	1.15	4.61	1.18	4.80	1.20
	35.0	3.72	1.14	3.91	1.16	4.10	1.18	<b>4.20</b>	<b>1.19</b>	4.49	1.22	4.68	1.24
	40.0	3.52	1.22	3.71	1.24	3.91	1.25	4.00	1.26	4.29	1.29	4.49	1.31
	43.0	3.40	1.26	3.60	1.28	3.79	1.30	3.89	1.31	4.18	1.34	4.37	1.36
	46.0	3.27	1.30	3.43	1.30	3.58	1.30	3.68	1.30	3.88	1.30	4.02	1.30
2.0+3.5	10.0	4.92	0.94	5.12	0.96	5.32	0.98	5.42	0.99	5.73	1.03	5.93	1.05
	12.0	4.84	0.96	5.04	0.98	5.24	1.00	5.34	1.01	5.65	1.05	5.85	1.07
	15.0	4.71	0.99	4.92	1.02	5.12	1.04	5.22	1.05	5.52	1.08	5.73	1.10
	18.0	4.59	1.03	4.79	1.05	5.00	1.07	5.10	1.08	5.40	1.11	5.60	1.13
	20.0	4.51	1.05	4.71	1.07	4.91	1.09	5.01	1.10	5.32	1.14	5.52	1.16
	22.0	4.43	1.08	4.63	1.10	4.83	1.12	4.93	1.13	5.24	1.16	5.44	1.18
	25.0	4.30	1.12	4.51	1.14	4.71	1.16	4.81	1.17	5.11	1.20	5.32	1.22
	28.0	4.18	1.16	4.38	1.18	4.59	1.20	4.69	1.21	4.99	1.24	5.19	1.26
	32.0	4.02	1.21	4.22	1.23	4.42	1.26	4.52	1.27	4.83	1.30	5.03	1.32
	35.0	3.89	1.26	4.10	1.28	4.30	1.30	<b>4.40</b>	<b>1.31</b>	4.70	1.34	4.91	1.36
	40.0	3.69	1.34	3.89	1.36	4.09	1.38	4.20	1.39	4.50	1.42	4.70	1.44
	43.0	3.57	1.39	3.77	1.41	3.97	1.43	4.07	1.44	4.38	1.47	4.58	1.50
	46.0	3.22	1.30	3.37	1.30	3.52	1.30	3.59	1.30	3.80	1.30	3.94	1.30

3D055828#B

### SYMBOLS

TC : Total cooling capacity (kW)  
PI : Power input (kW)

### NOTES

- Capacities are based on following conditions  
Corresponding refrigerant piping length : 5.0m  
Level difference : 0m
- The bold line **□** is indicated the standard condition.  
The above is the value for connecting with the following indoor units.  
2.0, 2.5, 3.5kW class; wall mounted D, E (NW-S) series.

# 4 Capacity tables

## 4 - 2 Cooling capacity tables

4

2MXS40FV1B													
Cooling [50Hz 230V]													
Combination (Capacity)	Outdoor air temp. °CDB	Indoor air temp.: °CWB											
		14°C		16°C		18°C		19°C		22°C		24°C	
		TC kW	PI kW	TC kW	PI kW	TC kW	PI kW	TC kW	PI kW	TC kW	PI kW	TC kW	PI kW
2.0+2.0	10.0	4.58	0.84	4.77	0.86	4.96	0.88	5.05	0.89	5.34	0.92	5.53	0.94
	12.0	4.51	0.86	4.69	0.88	4.88	0.90	4.98	0.91	5.26	0.93	5.45	0.95
	15.0	4.39	0.89	4.58	0.91	4.77	0.93	4.86	0.93	5.15	0.96	5.34	0.98
	18.0	4.28	0.92	4.47	0.94	4.65	0.96	4.75	0.97	5.03	0.99	5.22	1.01
	20.0	4.20	0.94	4.39	0.96	4.58	0.98	4.67	0.99	4.96	1.01	5.14	1.03
	22.0	4.12	0.96	4.31	0.98	4.50	1.00	4.60	1.01	4.88	1.04	5.07	1.06
	25.0	4.01	1.00	4.20	1.01	4.39	1.03	4.48	1.04	4.77	1.07	4.95	1.09
	28.0	3.90	1.03	4.08	1.05	4.27	1.07	4.37	1.08	4.65	1.11	4.84	1.13
	32.0	3.74	1.08	3.93	1.10	4.12	1.12	4.21	1.13	4.50	1.16	4.69	1.18
	35.0	3.63	1.12	3.82	1.14	4.01	1.16	<b>4.10</b>	<b>1.17</b>	4.38	1.20	4.57	1.22
	40.0	3.44	1.20	3.63	1.22	3.81	1.23	3.91	1.24	4.19	1.27	4.38	1.29
	43.0	3.32	1.24	3.51	1.26	3.70	1.28	3.79	1.29	4.08	1.32	4.27	1.34
46.0	3.21	1.29	3.39	1.30	3.54	1.30	3.61	1.30	3.83	1.30	3.98	1.30	
2.0+2.5	10.0	4.69	0.87	4.89	0.89	5.08	0.91	5.18	0.92	5.47	0.95	5.66	0.97
	12.0	4.62	0.89	4.81	0.91	5.00	0.93	5.10	0.94	5.39	0.97	5.58	0.99
	15.0	4.50	0.92	4.69	0.94	4.89	0.96	4.98	0.97	5.27	1.00	5.47	1.02
	18.0	4.38	0.95	4.57	0.97	4.77	0.99	4.86	1.00	5.16	1.03	5.35	1.05
	20.0	4.30	0.97	4.50	0.99	4.69	1.01	4.79	1.02	5.08	1.05	5.27	1.07
	22.0	4.22	0.99	4.42	1.01	4.61	1.03	4.71	1.04	5.00	1.07	5.19	1.09
	25.0	4.11	1.03	4.30	1.05	4.49	1.07	4.59	1.08	4.88	1.11	5.07	1.13
	28.0	3.99	1.07	4.18	1.09	4.38	1.11	4.47	1.12	4.76	1.15	4.96	1.16
	32.0	3.83	1.12	4.03	1.14	4.22	1.16	4.32	1.17	4.61	1.20	4.80	1.22
	35.0	3.72	1.16	3.91	1.18	4.10	1.20	<b>4.20</b>	<b>1.21</b>	4.49	1.24	4.68	1.26
	40.0	3.52	1.24	3.71	1.26	3.91	1.28	4.00	1.29	4.29	1.31	4.49	1.33
	43.0	3.40	1.28	3.60	1.30	3.79	1.32	3.89	1.33	4.18	1.36	4.37	1.38
46.0	3.24	1.30	3.39	1.30	3.54	1.30	3.62	1.30	3.83	1.30	3.97	1.30	
2.0+3.5	10.0	4.92	0.97	5.12	0.99	5.32	1.01	5.42	1.03	5.73	1.06	5.93	1.08
	12.0	4.84	0.99	5.04	1.01	5.24	1.04	5.34	1.05	5.65	1.08	5.85	1.10
	15.0	4.71	1.02	4.92	1.05	5.12	1.07	5.22	1.08	5.52	1.11	5.73	1.13
	18.0	4.59	1.06	4.79	1.08	5.00	1.10	5.10	1.11	5.40	1.15	5.60	1.17
	20.0	4.51	1.08	4.71	1.11	4.91	1.13	5.01	1.14	5.32	1.17	5.52	1.19
	22.0	4.43	1.11	4.63	1.13	4.83	1.15	4.93	1.16	5.24	1.20	5.44	1.22
	25.0	4.30	1.15	4.51	1.17	4.71	1.19	4.81	1.20	5.11	1.24	5.32	1.26
	28.0	4.18	1.19	4.38	1.21	4.59	1.23	4.69	1.25	4.99	1.28	5.19	1.30
	32.0	4.02	1.25	4.22	1.27	4.42	1.29	4.52	1.30	4.83	1.34	5.03	1.36
	35.0	3.89	1.30	4.10	1.32	4.30	1.34	<b>4.40</b>	<b>1.35</b>	4.70	1.38	4.91	1.41
	40.0	3.69	1.38	3.89	1.40	4.09	1.42	4.20	1.43	4.50	1.47	4.70	1.49
	43.0	3.57	1.43	3.77	1.45	3.97	1.48	4.07	1.49	4.35	1.50	4.50	1.50
46.0	3.16	1.30	3.31	1.30	3.45	1.30	3.52	1.30	3.73	1.30	3.87	1.30	

3D055832#B

### SYMBOLS

TC : Total cooling capacity (kW)  
PI : Power input (kW)

### NOTES

- Capacities are based on following conditions  
Corresponding refrigerant piping length : 5.0m  
Level difference : 0m
- The bold line **□** is indicated the standard condition.  
The above is the value for connecting with the following indoor units.  
2.0, 2.5, 3.5kW class; wall mounted C, D (GMS5) series.

## 4 Capacity tables

### 4 - 2 Cooling capacity tables

**2MXS50FV1B**  
Cooling [50Hz 230V]

Combination (Capacity)	Outdoor air temp. °CDB	Indoor air temp.: °CWB											
		14°C		16°C		18°C		19°C		22°C		24°C	
		TC kW	PI kW	TC kW	PI kW	TC kW	PI kW	TC kW	PI kW	TC kW	PI kW	TC kW	PI kW
<b>3.5+5.0</b>	10.0	6.04	1.22	6.28	1.25	6.53	1.28	6.66	1.29	7.03	1.33	7.28	1.39
	12.0	5.93	1.25	6.18	1.28	6.43	1.30	6.56	1.32	6.93	1.36	7.18	1.39
	15.0	5.78	1.29	6.03	1.32	6.28	1.34	6.41	1.36	6.78	1.40	7.03	1.43
	18.0	5.63	1.33	5.88	1.36	6.13	1.39	6.25	1.40	6.63	1.44	6.88	1.47
	20.0	5.53	1.37	5.78	1.39	6.03	1.42	6.15	1.43	6.53	1.47	6.78	1.50
	22.0	5.43	1.40	5.68	1.42	5.93	1.45	6.05	1.47	6.43	1.51	6.68	1.53
	25.0	5.28	1.45	5.53	1.47	5.78	1.50	5.90	1.52	6.28	1.56	6.52	1.58
	28.0	5.13	1.50	5.38	1.53	5.63	1.55	5.75	1.57	6.13	1.61	6.37	1.64
	32.0	4.93	1.57	5.18	1.60	5.43	1.63	5.55	1.64	5.92	1.68	6.17	1.71
	35.0	4.78	1.63	5.03	1.66	5.28	1.69	5.40	1.70	5.77	1.74	6.02	1.77
	40.0	4.53	1.74	4.78	1.77	5.02	1.79	5.15	1.81	5.52	1.85	5.77	1.87
	43.0	4.38	1.80	4.62	1.83	4.87	1.86	5.00	1.87	5.37	1.91	5.62	1.94
	46.0	4.22	1.87	4.47	1.90	4.72	1.93	4.85	1.94	5.22	1.98	5.47	2.01

3D057673

#### SYMBOLS

TC : Total cooling capacity (kW)  
PI : Power input (kW)

#### NOTES

- Capacities are based on following conditions  
Corresponding refrigerant piping length : 5.0m  
Level difference : 0m
- The bold line  is indicated the standard condition.  
The above is the value for connecting with the following indoor units.  
2.0, 2.5, 3.5, 5.0kW class; wall mounted D, E (NW-S) series.

# 4 Capacity tables

## 4 - 2 Cooling capacity tables

2MXS50FV1B													
Cooling [50Hz 230V]													
Combination (Capacity)	Outdoor air temp. °CDB	Indoor air temp.: °CWB											
		14°C		16°C		18°C		19°C		22°C		24°C	
		TC kW	PI kW	TC kW	PI kW	TC kW	PI kW	TC kW	PI kW	TC kW	PI kW	TC kW	PI kW
2.0	10.0	2.91	0.50	3.03	0.51	3.15	0.52	3.21	0.52	3.38	0.54	3.50	0.55
	12.0	2.86	0.51	2.98	0.52	3.10	0.53	3.16	0.53	3.34	0.55	3.46	0.56
	15.0	2.78	0.52	2.90	0.53	3.02	0.55	3.08	0.55	3.26	0.57	3.38	0.58
	18.0	2.71	0.54	2.83	0.55	2.95	0.56	3.01	0.57	3.19	0.59	3.31	0.60
	20.0	2.66	0.55	2.78	0.57	2.90	0.58	2.96	0.58	3.14	0.60	3.26	0.61
	22.0	2.62	0.57	2.74	0.58	2.85	0.59	2.91	0.59	3.09	0.61	3.21	0.62
	25.0	2.54	0.59	2.66	0.60	2.78	0.61	2.84	0.62	3.02	0.63	3.14	0.64
	28.0	2.47	0.61	2.59	0.62	2.71	0.63	2.77	0.64	2.95	0.65	3.07	0.66
	32.0	2.37	0.64	2.49	0.65	2.61	0.66	2.67	0.67	2.85	0.68	2.97	0.69
	35.0	2.30	0.66	2.42	0.67	2.54	0.69	<b>2.60</b>	<b>0.69</b>	2.78	0.71	2.90	0.72
	40.0	2.18	0.71	2.30	0.72	2.42	0.73	2.48	0.73	2.66	0.75	2.78	0.76
	43.0	2.11	0.73	2.23	0.74	2.35	0.75	2.41	0.76	2.59	0.78	2.71	0.79
	46.0	2.03	0.76	2.15	0.77	2.27	0.78	2.33	0.79	2.51	0.80	2.63	0.82
2.5	10.0	3.22	0.60	3.61	0.68	3.75	0.69	3.82	0.70	4.04	0.72	4.18	0.74
	12.0	3.22	0.63	3.55	0.69	3.69	0.71	3.76	0.71	3.98	0.73	4.12	0.75
	15.0	3.22	0.67	3.46	0.71	3.61	0.73	3.68	0.74	3.89	0.76	4.03	0.77
	18.0	3.22	0.72	3.38	0.74	3.52	0.75	3.59	0.76	3.81	0.78	3.95	0.80
	20.0	3.18	0.74	3.32	0.75	3.46	0.77	3.53	0.78	3.75	0.80	3.89	0.81
	22.0	3.12	0.76	3.26	0.77	3.40	0.79	3.48	0.79	3.69	0.81	3.83	0.83
	25.0	3.03	0.78	3.17	0.80	3.32	0.81	3.39	0.82	3.60	0.84	3.75	0.86
	28.0	2.95	0.81	3.09	0.83	3.23	0.84	3.30	0.85	3.52	0.87	3.66	0.89
	32.0	2.83	0.85	2.97	0.87	3.12	0.88	3.19	0.89	3.40	0.91	3.54	0.93
	35.0	2.74	0.88	2.89	0.90	3.03	0.91	<b>3.10</b>	<b>0.92</b>	3.31	0.94	3.46	0.96
	40.0	2.60	0.94	2.74	0.96	2.88	0.97	2.96	0.98	3.17	1.00	3.31	1.01
	43.0	2.51	0.98	2.65	0.99	2.80	1.01	2.87	1.01	3.08	1.04	3.23	1.05
	46.0	2.43	1.01	2.57	1.03	2.71	1.04	2.78	1.05	3.00	1.07	3.14	1.09
3.5	10.0	3.29	0.67	4.04	0.86	4.84	1.07	4.93	1.08	5.21	1.11	5.39	1.14
	12.0	3.29	0.70	4.04	0.89	4.76	1.09	4.86	1.10	5.13	1.13	5.32	1.16
	15.0	3.29	0.75	4.04	0.95	4.65	1.12	4.75	1.13	5.02	1.17	5.21	1.19
	18.0	3.29	0.80	4.04	1.02	4.54	1.16	4.63	1.17	4.91	1.21	5.09	1.23
	20.0	3.29	0.84	4.04	1.07	4.47	1.19	4.56	1.20	4.84	1.23	5.02	1.25
	22.0	3.29	0.88	4.04	1.12	4.39	1.21	4.48	1.22	4.76	1.26	4.94	1.28
	25.0	3.29	0.94	4.04	1.21	4.28	1.25	4.37	1.27	4.65	1.30	4.83	1.32
	28.0	3.29	1.01	3.98	1.28	4.17	1.30	4.26	1.31	4.54	1.34	4.72	1.37
	32.0	3.29	1.12	3.84	1.34	4.02	1.36	4.11	1.37	4.39	1.41	4.57	1.43
	35.0	3.29	1.22	3.72	1.39	3.91	1.41	4.00	1.42	4.28	1.46	4.46	1.48
	40.0	3.29	1.41	3.54	1.47	3.72	1.50	3.81	1.51	4.09	1.54	4.27	1.57
	43.0	3.24	1.51	3.43	1.53	3.61	1.55	3.70	1.56	3.98	1.60	4.16	1.62
	46.0	3.13	1.56	3.31	1.59	3.50	1.61	3.59	1.62	3.87	1.66	4.05	1.68

3D057671

### SYMBOLS

TC : Total cooling capacity (kW)  
 PI : Power input (kW)

### NOTES

- Capacities are based on following conditions  
 Corresponding refrigerant piping length : 5.0m  
 Level difference : 0m
- The bold line **□** is indicated the standard condition.  
 The above is the value for connecting with the following indoor units.  
 2.0, 2.5, 3.5, 5.0kW class; wall mounted D, E (NW-S) series.

# 4 Capacity tables

## 4 - 2 Cooling capacity tables

2MXS50FV1B													
Cooling [50Hz 230V]													
Combination (Capacity)	Outdoor air temp. °CDB	Indoor air temp.: °CWB											
		14°C		16°C		18°C		19°C		22°C		24°C	
		TC kW	PI kW	TC kW	PI kW	TC kW	PI kW	TC kW	PI kW	TC kW	PI kW	TC kW	PI kW
2.0+3.5	10.0	5.92	1.27	6.17	1.29	6.41	1.32	6.53	1.34	6.90	1.38	7.14	1.41
	12.0	5.82	1.29	6.07	1.32	6.31	1.35	6.44	1.36	6.80	1.41	7.05	1.43
	15.0	5.68	1.34	5.92	1.36	6.17	1.39	6.29	1.41	6.65	1.45	6.90	1.48
	18.0	5.53	1.38	5.77	1.41	6.02	1.44	6.14	1.45	6.51	1.49	6.75	1.52
	20.0	5.43	1.41	5.67	1.44	5.92	1.47	6.04	1.48	6.41	1.53	6.65	1.55
	22.0	5.33	1.45	5.58	1.47	5.82	1.50	5.94	1.52	6.31	1.56	6.55	1.59
	25.0	5.18	1.50	5.43	1.53	5.67	1.55	5.79	1.57	6.16	1.61	6.40	1.64
	28.0	5.04	1.55	5.28	1.58	5.52	1.61	5.65	1.62	6.01	1.67	6.26	1.69
	32.0	4.84	1.63	5.08	1.66	5.33	1.69	5.45	1.70	5.81	1.74	6.06	1.77
	35.0	4.69	1.69	4.93	1.72	5.18	1.75	<b>5.30</b>	<b>1.76</b>	5.67	1.80	5.91	1.83
	40.0	4.44	1.80	4.69	1.83	4.93	1.86	5.05	1.87	5.42	1.91	5.66	1.94
	43.0	4.29	1.87	4.54	1.90	4.78	1.92	4.91	1.94	5.27	1.98	5.52	2.01
	46.0	4.15	1.94	4.39	1.97	4.63	2.00	4.76	2.01	5.12	2.05	5.37	2.08
2.0+5.0	10.0	6.04	1.24	6.28	1.27	6.53	1.29	6.66	1.31	7.03	1.35	7.28	1.40
	12.0	5.93	1.26	6.18	1.29	6.43	1.32	6.56	1.33	6.93	1.37	7.18	1.40
	15.0	5.78	1.31	6.03	1.33	6.28	1.36	6.41	1.37	6.78	1.42	7.03	1.44
	18.0	5.63	1.35	5.88	1.38	6.13	1.41	6.25	1.42	6.63	1.46	6.88	1.49
	20.0	5.53	1.38	5.78	1.41	6.03	1.44	6.15	1.45	6.53	1.49	6.78	1.52
	22.0	5.43	1.41	5.68	1.44	5.93	1.47	6.05	1.48	6.43	1.52	6.68	1.55
	25.0	5.28	1.46	5.53	1.49	5.78	1.52	5.90	1.53	6.28	1.57	6.52	1.60
	28.0	5.13	1.52	5.38	1.55	5.63	1.57	5.75	1.59	6.13	1.63	6.37	1.66
	32.0	4.93	1.59	5.18	1.62	5.43	1.65	5.55	1.66	5.92	1.70	6.17	1.73
	35.0	4.78	1.65	5.03	1.68	5.28	1.71	<b>5.40</b>	<b>1.72</b>	5.77	1.76	6.02	1.79
	40.0	4.53	1.76	4.78	1.79	5.02	1.81	5.15	1.83	5.52	1.87	5.77	1.90
	43.0	4.38	1.83	4.62	1.85	4.87	1.88	5.00	1.89	5.37	1.94	5.62	1.96
	46.0	4.22	1.90	4.47	1.92	4.72	1.95	4.85	1.96	5.22	2.01	5.47	2.03
2.5+2.5	10.0	5.81	1.23	6.05	1.26	6.29	1.29	6.41	1.30	6.77	1.34	7.01	1.37
	12.0	5.71	1.26	5.95	1.28	6.19	1.31	6.31	1.32	6.67	1.37	6.91	1.39
	15.0	5.57	1.30	5.81	1.33	6.05	1.35	6.17	1.37	6.53	1.41	6.77	1.43
	18.0	5.42	1.34	5.66	1.37	5.90	1.40	6.02	1.41	6.38	1.45	6.62	1.48
	20.0	5.33	1.37	5.57	1.40	5.81	1.43	5.93	1.44	6.29	1.48	6.53	1.51
	22.0	5.23	1.41	5.47	1.43	5.71	1.46	5.83	1.47	6.19	1.51	6.43	1.54
	25.0	5.09	1.46	5.32	1.48	5.56	1.51	5.68	1.52	6.04	1.57	6.28	1.59
	28.0	4.94	1.51	5.18	1.54	5.42	1.56	5.54	1.58	5.90	1.62	6.14	1.65
	32.0	4.75	1.58	4.99	1.61	5.23	1.64	5.35	1.65	5.70	1.69	5.94	1.72
	35.0	4.60	1.64	4.84	1.67	5.08	1.70	<b>5.20</b>	<b>1.71</b>	5.56	1.75	5.80	1.78
	40.0	4.36	1.75	4.60	1.78	4.84	1.80	4.96	1.82	5.32	1.86	5.56	1.89
	43.0	4.21	1.81	4.45	1.84	4.69	1.87	4.81	1.88	5.17	1.92	5.41	1.95
	46.0	4.07	1.88	4.31	1.91	4.55	1.94	4.67	1.95	5.03	1.99	5.27	2.02

3D057672

### SYMBOLS

TC : Total cooling capacity (kW)  
 PI : Power input (kW)

### NOTES

- Capacities are based on following conditions  
 Corresponding refrigerant piping length : 5.0m  
 Level difference : 0m
- The bold line **□** is indicated the standard condition.  
 The above is the value for connecting with the following indoor units.  
 2.0, 2.5, 3.5, 5.0kW class; wall mounted D, E (NW-S) series.

# 4 Capacity tables

## 4 - 2 Cooling capacity tables

2MXS50FV1B													
Cooling [50Hz 230V]													
Combination (Capacity)	Outdoor air temp. °CDB	Indoor air temp.: °CWB											
		14°C		16°C		18°C		19°C		22°C		24°C	
		TC kW	PI kW	TC kW	PI kW	TC kW	PI kW	TC kW	PI kW	TC kW	PI kW	TC kW	PI kW
5.0	10.0	4.00	0.91	4.91	1.18	5.89	1.51	6.29	1.65	6.64	1.70	6.87	1.73
	12.0	4.00	0.95	4.91	1.23	5.89	1.58	6.19	1.68	6.54	1.73	6.78	1.77
	15.0	4.00	1.01	4.91	1.32	5.89	1.69	6.05	1.73	6.40	1.79	6.64	1.82
	18.0	4.00	1.08	4.91	1.41	5.79	1.77	5.91	1.79	6.26	1.84	6.49	1.88
	20.0	4.00	1.13	4.91	1.48	5.69	1.81	5.81	1.83	6.16	1.88	6.40	1.92
	22.0	4.00	1.19	4.91	1.56	5.60	1.85	5.72	1.87	6.07	1.92	6.30	1.96
	25.0	4.00	1.28	4.91	1.69	5.46	1.92	5.57	1.93	5.93	1.99	6.16	2.02
	28.0	4.00	1.38	4.91	1.83	5.31	1.98	5.43	2.00	5.78	2.05	6.02	2.09
	32.0	4.00	1.54	4.89	2.04	5.12	2.08	5.24	2.10	5.59	2.15	5.83	2.18
	35.0	4.00	1.68	4.75	2.12	4.98	2.15	<b>5.10</b>	<b>2.17</b>	5.45	2.22	5.68	2.25
	40.0	4.00	1.95	4.51	2.25	4.72	2.25	4.82	2.25	5.12	2.25	5.32	2.25
	43.0	4.00	2.16	4.32	2.25	4.53	2.25	4.63	2.25	4.93	2.25	5.13	2.25
	46.0	3.94	2.25	4.16	2.25	4.36	2.25	4.46	2.25	4.76	2.25	4.96	2.25
2.0+2.0	10.0	5.48	1.10	5.70	1.13	5.93	1.15	6.04	1.16	6.38	1.20	6.61	1.25
	12.0	5.39	1.12	5.61	1.15	5.84	1.17	5.95	1.19	6.29	1.22	6.51	1.25
	15.0	5.25	1.16	5.47	1.19	5.70	1.21	5.81	1.22	6.15	1.26	6.38	1.28
	18.0	5.11	1.20	5.34	1.23	5.56	1.25	5.68	1.26	6.01	1.30	6.24	1.32
	20.0	5.02	1.23	5.25	1.25	5.47	1.28	5.58	1.29	5.92	1.33	6.15	1.35
	22.0	4.93	1.26	5.15	1.28	5.38	1.31	5.49	1.32	5.83	1.36	6.06	1.38
	25.0	4.79	1.30	5.02	1.33	5.24	1.35	5.36	1.36	5.69	1.40	5.92	1.42
	28.0	4.66	1.35	4.88	1.37	5.11	1.40	5.22	1.41	5.56	1.45	5.78	1.47
	32.0	4.47	1.42	4.70	1.44	4.92	1.47	5.04	1.48	5.38	1.52	5.60	1.54
	35.0	4.34	1.47	4.56	1.49	4.79	1.52	<b>4.90</b>	<b>1.53</b>	5.24	1.57	5.46	1.59
	40.0	4.11	1.56	4.33	1.59	4.56	1.61	4.67	1.63	5.01	1.66	5.24	1.69
	43.0	3.97	1.62	4.20	1.65	4.42	1.67	4.53	1.69	4.87	1.72	5.10	1.75
	46.0	3.83	1.69	4.06	1.71	4.29	1.73	4.40	1.75	4.74	1.78	4.96	1.81
2.0+2.5	10.0	5.59	1.15	5.82	1.18	6.05	1.20	6.16	1.22	6.51	1.25	6.74	1.28
	12.0	5.50	1.18	5.73	1.20	5.96	1.23	6.07	1.24	6.42	1.28	6.65	1.30
	15.0	5.36	1.21	5.59	1.24	5.82	1.27	5.93	1.28	6.28	1.32	6.51	1.34
	18.0	5.22	1.26	5.45	1.28	5.68	1.31	5.79	1.32	6.14	1.36	6.37	1.38
	20.0	5.12	1.28	5.35	1.31	5.58	1.34	5.70	1.35	6.04	1.39	6.27	1.41
	22.0	5.03	1.31	5.26	1.34	5.49	1.37	5.61	1.38	5.95	1.42	6.18	1.44
	25.0	4.89	1.36	5.12	1.39	5.35	1.41	5.47	1.43	5.81	1.46	6.04	1.49
	28.0	4.75	1.41	4.98	1.44	5.21	1.46	5.33	1.48	5.67	1.51	5.90	1.54
	32.0	4.56	1.48	4.79	1.51	5.02	1.53	5.14	1.55	5.49	1.58	5.72	1.61
	35.0	4.42	1.54	4.65	1.56	4.88	1.59	<b>5.00</b>	<b>1.60</b>	5.35	1.64	5.58	1.67
	40.0	4.19	1.64	4.42	1.66	4.65	1.69	4.77	1.70	5.11	1.74	5.34	1.76
	43.0	4.05	1.70	4.28	1.72	4.51	1.75	4.63	1.76	4.97	1.80	5.20	1.83
	46.0	3.91	1.76	4.14	1.79	4.37	1.81	4.49	1.83	4.83	1.87	5.06	1.89

3D057671

### SYMBOLS

TC : Total cooling capacity (kW)  
 PI : Power input (kW)

### NOTES

- Capacities are based on following conditions  
 Corresponding refrigerant piping length : 5.0m  
 Level difference : 0m
- The bold line **□** is indicated the standard condition.  
 The above is the value for connecting with the following indoor units.  
 2.0, 2.5, 3.5, 5.0kW class; wall mounted D, E (NW-S) series.

# 4 Capacity tables

## 4 - 2 Cooling capacity tables

2MXS50FV1B													
Cooling [50Hz 230V]													
Combination (Capacity)	Outdoor air temp. °CDB	Indoor air temp.: °CWB											
		14°C		16°C		18°C		19°C		22°C		24°C	
		TC kW	PI kW	TC kW	PI kW	TC kW	PI kW	TC kW	PI kW	TC kW	PI kW	TC kW	PI kW
2.5+3.5	10.0	5.92	1.27	6.17	1.29	6.41	1.32	6.53	1.34	6.90	1.38	7.14	1.41
	12.0	5.82	1.29	6.07	1.32	6.31	1.35	6.44	1.36	6.80	1.41	7.05	1.43
	15.0	5.68	1.34	5.92	1.36	6.17	1.39	6.29	1.41	6.65	1.45	6.90	1.48
	18.0	5.53	1.38	5.77	1.41	6.02	1.44	6.14	1.45	6.51	1.49	6.75	1.52
	20.0	5.43	1.41	5.67	1.44	5.92	1.47	6.04	1.48	6.41	1.53	6.65	1.55
	22.0	5.33	1.45	5.58	1.47	5.82	1.50	5.94	1.52	6.31	1.56	6.55	1.59
	25.0	5.18	1.50	5.43	1.53	5.67	1.55	5.79	1.57	6.16	1.61	6.40	1.64
	28.0	5.04	1.55	5.28	1.58	5.52	1.61	5.65	1.62	6.01	1.67	6.26	1.69
	32.0	4.84	1.63	5.08	1.66	5.33	1.69	5.45	1.70	5.81	1.74	6.06	1.77
	35.0	4.69	1.69	4.93	1.72	5.18	1.75	<b>5.30</b>	<b>1.76</b>	5.67	1.80	5.91	1.83
	40.0	4.44	1.80	4.69	1.83	4.93	1.86	5.05	1.87	5.42	1.91	5.66	1.94
	43.0	4.29	1.87	4.54	1.90	4.78	1.92	4.91	1.94	5.27	1.98	5.52	2.01
	46.0	4.15	1.94	4.39	1.97	4.63	2.00	4.76	2.01	5.12	2.05	5.37	2.08
2.5+5.0	10.0	6.04	1.24	6.28	1.27	6.53	1.30	6.66	1.31	7.03	1.36	7.28	1.41
	12.0	5.93	1.27	6.18	1.30	6.43	1.33	6.56	1.34	6.93	1.38	7.18	1.41
	15.0	5.78	1.31	6.03	1.34	6.28	1.37	6.41	1.38	6.78	1.42	7.03	1.45
	18.0	5.63	1.36	5.88	1.39	6.13	1.41	6.25	1.43	6.63	1.47	6.88	1.50
	20.0	5.53	1.39	5.78	1.42	6.03	1.44	6.15	1.46	6.53	1.50	6.78	1.53
	22.0	5.43	1.42	5.68	1.45	5.93	1.48	6.05	1.49	6.43	1.53	6.68	1.56
	25.0	5.28	1.47	5.53	1.50	5.78	1.53	5.90	1.54	6.28	1.58	6.52	1.61
	28.0	5.13	1.53	5.38	1.55	5.63	1.58	5.75	1.60	6.13	1.64	6.37	1.66
	32.0	4.93	1.60	5.18	1.63	5.43	1.66	5.55	1.67	5.92	1.71	6.17	1.74
	35.0	4.78	1.66	5.03	1.69	5.28	1.72	<b>5.40</b>	<b>1.73</b>	5.77	1.77	6.02	1.80
	40.0	4.53	1.77	4.78	1.80	5.02	1.82	5.15	1.84	5.52	1.88	5.77	1.91
	43.0	4.38	1.84	4.62	1.86	4.87	1.89	5.00	1.91	5.37	1.95	5.62	1.97
	46.0	4.22	1.91	4.47	1.93	4.72	1.96	4.85	1.98	5.22	2.02	5.47	2.04
3.5+3.5	10.0	5.92	1.24	6.17	1.27	6.41	1.29	6.53	1.31	6.90	1.35	7.14	1.38
	12.0	5.82	1.26	6.07	1.29	6.31	1.32	6.44	1.33	6.80	1.37	7.05	1.40
	15.0	5.68	1.31	5.92	1.33	6.17	1.36	6.29	1.37	6.65	1.42	6.90	1.44
	18.0	5.53	1.35	5.77	1.38	6.02	1.41	6.14	1.42	6.51	1.46	6.75	1.49
	20.0	5.43	1.38	5.67	1.41	5.92	1.44	6.04	1.45	6.41	1.49	6.65	1.52
	22.0	5.33	1.41	5.58	1.44	5.82	1.47	5.94	1.48	6.31	1.52	6.55	1.55
	25.0	5.18	1.46	5.43	1.49	5.67	1.52	5.79	1.53	6.16	1.57	6.40	1.60
	28.0	5.04	1.52	5.28	1.55	5.52	1.57	5.65	1.59	6.01	1.63	6.26	1.66
	32.0	4.84	1.59	5.08	1.62	5.33	1.65	5.45	1.66	5.81	1.70	6.06	1.73
	35.0	4.69	1.65	4.93	1.68	5.18	1.71	<b>5.30</b>	<b>1.72</b>	5.67	1.76	5.91	1.79
	40.0	4.44	1.76	4.69	1.79	4.93	1.81	5.05	1.83	5.42	1.87	5.66	1.90
	43.0	4.29	1.83	4.54	1.85	4.78	1.88	4.91	1.89	5.27	1.94	5.52	1.96
	46.0	4.15	1.90	4.39	1.92	4.63	1.95	4.76	1.96	5.12	2.01	5.37	2.03

3D057672

### SYMBOLS

TC : Total cooling capacity (kW)  
 PI : Power input (kW)

### NOTES

- Capacities are based on following conditions  
 Corresponding refrigerant piping length : 5.0m  
 Level difference : 0m
- The bold line **□** is indicated the standard condition.  
 The above is the value for connecting with the following indoor units.  
 2.0, 2.5, 3.5, 5.0kW class; wall mounted D, E (NW-S) series.



# 4 Capacity tables

## 4 - 2 Cooling capacity tables

4

### 4MXS68F2V1B

Cooling [50Hz 230V]

Combination (Capacity)	Outdoor air temp. °CDB	Indoor air temp.: °CWB											
		14°C		16°C		18°C		19°C		22°C		24°C	
		TC kW	PI kW	TC kW	PI kW	TC kW	PI kW	TC kW	PI kW	TC kW	PI kW	TC kW	PI kW
2.0	22.0	2.85	0.51	2.77	0.52	2.89	0.53	2.95	0.53	3.13	0.55	3.25	0.56
	25.0	2.57	0.53	2.69	0.54	2.81	0.55	2.87	0.55	3.06	0.57	3.18	0.58
	32.0	2.40	0.57	2.52	0.58	2.64	0.59	2.70	0.60	2.89	0.61	3.01	0.62
	35.0	2.33	0.60	2.45	0.61	2.57	0.62	<b>2.63</b>	<b>0.62</b>	2.81	0.64	2.93	0.65
	40.0	2.20	0.63	2.33	0.64	2.45	0.65	2.51	0.66	2.69	0.67	2.81	0.68
	43.0	2.13	0.66	2.25	0.67	2.37	0.68	2.43	0.68	2.62	0.70	2.74	0.71
	46.0	2.06	0.68	2.18	0.69	2.30	0.70	2.36	0.71	2.54	0.72	2.66	0.73
2.5	22.0	3.05	0.61	3.55	0.71	3.70	0.73	3.78	0.73	4.01	0.75	4.17	0.77
	25.0	3.05	0.65	3.45	0.74	3.61	0.75	3.68	0.76	3.92	0.78	4.07	0.79
	32.0	3.05	0.78	3.23	0.80	3.39	0.81	3.46	0.82	3.70	0.84	3.85	0.86
	35.0	2.98	0.82	3.14	0.83	3.29	0.84	<b>3.37</b>	<b>0.85</b>	3.60	0.87	3.76	0.88
	40.0	2.82	0.87	2.98	0.88	3.14	0.90	3.21	0.90	3.45	0.92	3.60	0.94
	43.0	2.73	0.90	2.89	0.92	3.04	0.93	3.12	0.94	3.35	0.96	3.51	0.97
	46.0	2.64	0.94	2.79	0.95	2.95	0.96	3.02	0.97	3.26	0.99	3.41	1.00
3.5	22.0	3.38	0.74	4.15	0.94	4.98	1.17	5.34	1.27	5.67	1.30	5.88	1.33
	25.0	3.38	0.79	4.15	1.00	4.98	1.25	5.20	1.31	5.53	1.35	5.75	1.37
	32.0	3.38	0.94	4.15	1.20	4.78	1.41	4.89	1.42	5.22	1.46	5.44	1.48
	35.0	3.38	1.01	4.15	1.30	4.65	1.46	<b>4.76</b>	<b>1.47</b>	5.09	1.51	5.31	1.53
	40.0	3.38	1.16	4.15	1.49	4.43	1.55	4.54	1.56	4.87	1.60	5.09	1.62
	43.0	3.38	1.26	4.08	1.58	4.30	1.61	4.41	1.62	4.73	1.65	4.95	1.68
	46.0	3.38	1.38	3.94	1.64	4.16	1.67	4.27	1.68	4.60	1.71	4.82	1.74
5.0	22.0	4.33	1.09	5.32	1.41	6.38	1.82	6.63	1.90	7.03	1.95	7.31	1.98
	25.0	4.33	1.17	5.32	1.52	6.32	1.94	6.46	1.96	6.87	2.01	7.14	2.05
	32.0	4.33	1.39	5.32	1.84	5.94	2.11	6.08	2.13	6.48	2.18	6.76	2.21
	35.0	4.33	1.51	5.32	2.02	5.77	2.18	<b>5.91</b>	<b>2.20</b>	6.32	2.26	6.59	2.29
	40.0	4.33	1.75	5.23	2.28	5.50	2.32	5.63	2.34	6.04	2.39	6.32	2.43
	43.0	4.33	1.93	5.01	2.31	5.25	2.31	5.37	2.31	5.71	2.31	5.93	2.31
	46.0	4.11	1.80	4.30	1.80	4.48	1.80	4.57	1.80	4.84	1.80	5.01	1.80
6.0	22.0	5.80	1.51	6.71	1.94	7.01	1.98	7.15	2.00	7.59	2.06	7.89	2.09
	25.0	5.80	1.63	6.53	2.01	6.83	2.05	6.97	2.07	7.42	2.12	7.71	2.16
	32.0	5.80	2.00	6.12	2.19	6.41	2.22	6.56	2.24	7.00	2.30	7.29	2.33
	35.0	5.80	2.20	5.94	2.27	6.23	2.30	<b>6.38</b>	<b>2.32</b>	6.82	2.38	7.11	2.42
	40.0	5.35	2.37	5.64	2.41	5.94	2.45	6.08	2.46	6.52	2.52	6.82	2.56
	43.0	5.06	2.31	5.31	2.31	5.55	2.31	5.67	2.31	6.03	2.31	6.25	2.31
	46.0	4.34	1.80	4.53	1.80	4.72	1.80	4.81	1.80	5.09	1.80	5.26	1.80
2.0+2.0	22.0	5.05	1.19	5.28	1.21	5.51	1.24	5.63	1.25	5.97	1.28	6.21	1.31
	25.0	4.91	1.23	5.14	1.26	5.37	1.28	5.49	1.29	5.83	1.33	6.07	1.35
	32.0	4.58	1.34	4.81	1.37	5.04	1.39	5.16	1.40	5.51	1.44	5.74	1.46
	35.0	4.44	1.39	4.67	1.42	4.90	1.44	<b>5.02</b>	<b>1.45</b>	5.37	1.49	5.60	1.51
	40.0	4.21	1.48	4.44	1.51	4.67	1.53	4.79	1.54	5.13	1.58	5.36	1.60
	43.0	4.07	1.54	4.30	1.56	4.53	1.59	4.65	1.60	4.99	1.63	5.22	1.66
	46.0	3.93	1.60	4.16	1.62	4.39	1.64	4.51	1.66	4.85	1.69	5.08	1.71

3D056433

### SYMBOLS

TC : Total cooling capacity (kW)  
PI : Power input (kW)

### NOTES

- Capacities are based on following conditions  
Corresponding refrigerant piping length : 5m  
Level difference : 0m
- The bold line  is indicated the standard condition.
- The above is the value for connecting with the following indoor units.  
2.0, 2.5, 3.5, 5.0 kW class: wall mounted D series  
6.0 kW class: wall mounted F series

# 4 Capacity tables

## 4 - 2 Cooling capacity tables

4MXS68F2V1B Cooling [50Hz 230V]													
Combination (Capacity)	Outdoor air temp. °CDB	Indoor air temp.: °CWB											
		14°C		16°C		18°C		19°C		22°C		24°C	
		TC kW	PI kW	TC kW	PI kW	TC kW	PI kW	TC kW	PI kW	TC kW	PI kW	TC kW	PI kW
2.5+5.0	22.0	7.27	2.26	7.61	2.30	7.94	2.35	8.11	2.37	8.60	2.44	8.94	2.48
	25.0	7.07	2.34	7.40	2.39	7.74	2.43	7.90	2.45	8.40	2.52	8.74	2.56
	32.0	6.60	2.55	6.93	2.59	7.27	2.64	7.43	2.66	7.93	2.72	8.26	2.77
	35.0	6.40	2.64	6.73	2.69	7.06	2.73	<b>7.23</b>	<b>2.75</b>	7.73	2.82	8.06	2.86
	40.0	6.06	2.81	6.37	2.81	6.67	2.81	6.82	2.81	7.25	2.81	7.53	2.81
	43.0	5.47	2.31	5.73	2.31	5.97	2.31	6.09	2.31	6.45	2.31	6.68	2.31
	46.0	4.69	1.80	4.89	1.80	5.08	1.80	5.17	1.80	5.45	1.80	5.63	1.80
2.5+6.0	22.0	7.60	2.26	7.95	2.30	8.30	2.35	8.48	2.37	9.00	2.44	9.35	2.48
	25.0	7.39	2.34	7.74	2.39	8.09	2.43	8.26	2.45	8.78	2.52	9.13	2.56
	32.0	6.90	2.55	7.25	2.59	7.60	2.64	7.77	2.66	8.29	2.72	8.64	2.77
	35.0	6.69	2.64	7.04	2.69	7.39	2.73	<b>7.56</b>	<b>2.75</b>	8.08	2.82	8.43	2.86
	40.0	6.33	2.81	6.65	2.81	6.96	2.81	7.12	2.81	7.57	2.81	7.86	2.81
	43.0	5.69	2.31	5.95	2.31	6.20	2.31	6.32	2.31	6.69	2.31	6.93	2.31
	46.0	4.85	1.80	5.05	1.80	5.24	1.80	5.34	1.80	5.63	1.80	5.81	1.80
3.5+3.5	22.0	6.76	2.03	7.35	2.23	7.68	2.27	7.84	2.29	8.32	2.36	8.64	2.40
	25.0	6.76	2.22	7.16	2.31	7.48	2.35	7.64	2.37	8.12	2.43	8.45	2.48
	32.0	6.38	2.46	6.70	2.51	7.02	2.55	7.19	2.57	7.67	2.63	7.99	2.68
	35.0	6.18	2.56	6.51	2.60	6.83	2.64	<b>6.99</b>	<b>2.66</b>	7.47	2.73	7.80	2.77
	40.0	5.86	2.72	6.18	2.76	6.50	2.80	6.65	2.81	7.08	2.81	7.36	2.81
	43.0	5.34	2.31	5.59	2.31	5.83	2.31	5.95	2.31	6.30	2.31	6.53	2.31
	46.0	4.58	1.80	4.78	1.80	4.97	1.80	5.06	1.80	5.33	1.80	5.51	1.80
3.5+5.0	22.0	7.65	2.56	8.01	2.61	8.36	2.66	8.53	2.69	9.06	2.76	9.41	2.81
	25.0	7.44	2.66	7.79	2.71	8.14	2.76	8.32	2.78	8.84	2.86	9.20	2.91
	32.0	6.95	2.89	7.30	2.94	7.65	2.99	7.82	3.01	8.35	3.09	8.70	3.14
	35.0	6.73	3.00	7.08	3.05	7.43	3.10	<b>7.61</b>	<b>3.12</b>	8.14	3.20	8.49	3.25
	40.0	6.26	2.81	6.56	2.81	6.85	2.81	7.00	2.81	7.42	2.81	7.70	2.81
	43.0	5.68	2.31	5.93	2.31	6.17	2.31	6.29	2.31	6.63	2.31	6.86	2.31
	46.0	4.89	1.80	5.08	1.80	5.27	1.80	5.36	1.80	5.63	1.80	5.81	1.80
3.5+6.0	22.0	7.98	2.51	8.32	2.56	8.69	2.61	8.87	2.64	9.41	2.71	9.78	2.76
	25.0	7.74	2.61	8.10	2.65	8.46	2.70	8.65	2.73	9.19	2.80	9.56	2.85
	32.0	7.22	2.83	7.58	2.88	7.95	2.93	8.13	2.96	8.68	3.03	9.04	3.08
	35.0	7.00	2.94	7.36	2.99	7.73	3.04	<b>7.91</b>	<b>3.06</b>	8.46	3.14	8.82	3.19
	40.0	6.49	2.81	6.80	2.81	7.11	2.81	7.26	2.81	7.70	2.81	7.99	2.81
	43.0	5.85	2.31	6.11	2.31	6.36	2.31	6.48	2.31	6.84	2.31	7.07	2.31
	46.0	5.00	1.80	5.20	1.80	5.40	1.80	5.49	1.80	5.77	1.80	5.95	1.80
5.0+5.0	22.0	8.11	2.75	8.48	2.81	8.85	2.86	9.04	2.89	9.59	2.97	9.96	3.02
	25.0	7.88	2.85	8.25	2.91	8.62	2.96	8.81	2.99	9.37	3.07	9.74	3.12
	32.0	7.36	3.10	7.73	3.16	8.10	3.21	8.29	3.24	8.84	3.32	9.21	3.37
	35.0	7.13	3.22	7.50	3.27	7.87	3.33	<b>8.06</b>	<b>3.35</b>	8.62	3.43	8.99	3.49
	40.0	6.58	2.81	6.88	2.81	7.18	2.81	7.33	2.81	7.76	2.81	8.04	2.81
	43.0	5.96	2.31	6.21	2.31	6.45	2.31	6.57	2.31	6.92	2.31	7.15	2.31
	46.0	5.12	1.80	5.31	1.80	5.50	1.80	5.60	1.80	5.87	1.80	6.05	1.80

3D056434

### SYMBOLS

TC : Total cooling capacity (kW)  
PI : Power input (kW)

### NOTES

- Capacities are based on following conditions  
Corresponding refrigerant piping length : 5m  
Level difference : 0m
- The bold line  is indicated the standard condition.
- The above is the value for connecting with the following indoor units.  
2.0, 2.5, 3.5, 5.0 kW class: wall mounted D series  
6.0 kW class: wall mounted F series

# 4 Capacity tables

## 4 - 2 Cooling capacity tables

4

### 4MXS68F2V1B

#### Cooling [50Hz 230V]

Combination (Capacity)	Outdoor air temp. °CDB	Indoor air temp.: °CWB											
		14°C		16°C		18°C		19°C		22°C		24°C	
		TC kW	PI kW	TC kW	PI kW	TC kW	PI kW	TC kW	PI kW	TC kW	PI kW	TC kW	PI kW
2.0+2.5+2.5	22.0	7.14	1.86	7.47	1.89	7.80	1.93	7.96	1.95	8.45	2.00	8.78	2.04
	25.0	6.94	1.92	7.27	1.96	7.60	2.00	7.76	2.01	8.25	2.07	8.58	2.10
	32.0	6.48	2.09	6.81	2.13	7.13	2.17	7.30	2.18	7.79	2.24	8.12	2.27
	35.0	6.28	2.17	6.61	2.21	6.94	2.24	<b>7.10</b>	<b>2.26</b>	7.59	2.32	7.92	2.35
	40.0	5.95	2.31	6.28	2.35	6.61	2.38	6.77	2.40	7.26	2.46	7.59	2.49
	43.0	5.66	2.31	5.94	2.31	6.21	2.31	6.34	2.31	6.73	2.31	6.98	2.31
	46.0	4.77	1.80	4.98	1.80	5.19	1.80	5.29	1.80	5.60	1.80	5.79	1.80
2.0+2.5+3.5	22.0	7.63	2.13	7.98	2.17	8.33	2.21	8.51	2.23	9.03	2.29	9.38	2.34
	25.0	7.42	2.20	7.77	2.25	8.12	2.29	8.30	2.31	8.82	2.37	9.17	2.41
	32.0	6.93	2.40	7.28	2.44	7.63	2.48	7.80	2.50	8.33	2.56	8.68	2.61
	35.0	6.72	2.49	7.07	2.53	7.42	2.57	<b>7.59</b>	<b>2.59</b>	8.11	2.65	8.46	2.70
	40.0	6.36	2.65	6.71	2.69	7.06	2.73	7.24	2.75	7.75	2.81	8.05	2.81
	43.0	5.77	2.31	6.04	2.31	6.30	2.31	6.43	2.31	6.81	2.31	7.06	2.31
	46.0	4.89	1.80	5.10	1.80	5.30	1.80	5.40	1.80	5.70	1.80	5.89	1.80
2.0+2.5+5.0	22.0	7.97	2.25	8.33	2.30	8.70	2.34	8.88	2.36	9.43	2.43	9.79	2.47
	25.0	7.75	2.33	8.11	2.38	8.48	2.42	8.66	2.44	9.20	2.51	9.57	2.55
	32.0	7.23	2.54	7.59	2.58	7.96	2.63	8.14	2.65	8.69	2.71	9.05	2.76
	35.0	7.01	2.63	7.37	2.68	7.74	2.72	<b>7.92</b>	<b>2.74</b>	8.47	2.81	8.83	2.85
	40.0	6.64	2.80	6.97	2.81	7.30	2.81	7.46	2.81	7.92	2.81	8.22	2.81
	43.0	5.92	2.31	6.19	2.31	6.45	2.31	6.58	2.31	6.96	2.31	7.21	2.31
	46.0	5.02	1.80	5.22	1.80	5.43	1.80	5.53	1.80	5.83	1.80	6.02	1.80
2.0+2.5+6.0	22.0	8.43	2.33	8.82	2.38	9.20	2.42	9.39	2.45	9.97	2.52	10.36	2.56
	25.0	8.20	2.42	8.58	2.46	8.97	2.51	9.16	2.53	9.74	2.60	10.13	2.65
	32.0	7.65	2.63	8.03	2.68	8.42	2.72	8.61	2.74	9.19	2.81	9.58	2.86
	35.0	7.41	2.73	7.80	2.77	8.19	2.82	<b>8.38</b>	<b>2.84</b>	8.96	2.91	9.35	2.96
	40.0	6.95	2.81	7.29	2.81	7.62	2.81	7.79	2.81	8.26	2.81	8.57	2.81
	43.0	6.17	2.31	6.45	2.31	6.72	2.31	6.85	2.31	7.24	2.31	7.50	2.31
	46.0	5.21	1.80	5.43	1.80	5.64	1.80	5.74	1.80	6.04	1.80	6.24	1.80
2.0+3.5+3.5	22.0	7.96	2.34	8.32	2.39	8.69	2.43	8.87	2.46	9.41	2.52	9.78	2.57
	25.0	7.74	2.43	8.10	2.47	8.46	2.52	8.65	2.54	9.19	2.61	9.56	2.65
	32.0	7.22	2.64	7.58	2.69	7.95	2.73	8.13	2.75	8.68	2.82	9.04	2.87
	35.0	7.00	2.74	7.36	2.78	7.73	2.83	<b>7.91</b>	<b>2.85</b>	8.46	2.92	8.82	2.97
	40.0	6.57	2.81	6.89	2.81	7.21	2.81	7.36	2.81	7.82	2.81	8.11	2.81
	43.0	5.88	2.31	6.14	2.31	6.40	2.31	6.53	2.31	6.90	2.31	7.14	2.31
	46.0	5.00	1.80	5.20	1.80	5.40	1.80	5.50	1.80	5.79	1.80	5.98	1.80
2.0+3.5+5.0	22.0	8.46	2.61	8.85	2.66	9.23	2.71	9.43	2.73	10.01	2.81	10.40	2.86
	25.0	8.22	2.70	8.61	2.75	9.00	2.80	9.19	2.83	9.77	2.90	10.16	2.95
	32.0	7.68	2.94	8.06	2.99	8.45	3.04	8.64	3.06	9.23	3.14	9.61	3.19
	35.0	7.44	3.05	7.83	3.10	8.22	3.15	<b>8.41</b>	<b>3.17</b>	8.99	3.25	9.38	3.30
	40.0	6.84	2.81	7.16	2.81	7.47	2.81	7.63	2.81	8.08	2.81	8.37	2.81
	43.0	6.13	2.31	6.39	2.31	6.65	2.31	6.78	2.31	7.15	2.31	7.39	2.31
	46.0	5.22	1.80	5.43	1.80	5.63	1.80	5.72	1.80	6.01	1.80	6.20	1.80

3D056435

#### SYMBOLS

TC : Total cooling capacity (kW)  
PI : Power input (kW)

#### NOTES

- Capacities are based on following conditions  
Corresponding refrigerant piping length : 5m  
Level difference : 0m
- The bold line  is indicated the standard condition.
- The above is the value for connecting with the following indoor units.  
2.0, 2.5, 3.5, 5.0 kW class: wall mounted D series  
6.0 kW class: wall mounted F series

# 4 Capacity tables

## 4 - 2 Cooling capacity tables

### 4MXS68F2V1B

#### Cooling [50Hz 230V]

Combination (Capacity)	Outdoor air temp. °CDB	Indoor air temp.: °CWB											
		14°C		16°C		18°C		19°C		22°C		24°C	
		TC kW	PI kW	TC kW	PI kW	TC kW	PI kW	TC kW	PI kW	TC kW	PI kW	TC kW	PI kW
3.5+3.5+3.5	22.0	8.47	2.74	8.86	2.79	9.25	2.84	9.44	2.87	10.02	2.95	10.41	3.00
	25.0	8.23	2.83	8.62	2.89	9.01	2.94	9.20	2.97	9.79	3.05	10.17	3.10
	32.0	7.69	3.08	8.07	3.14	8.46	3.19	8.66	3.22	9.24	3.30	9.63	3.35
	35.0	7.45	3.20	7.84	3.25	8.23	3.31	<b>8.42</b>	<b>3.33</b>	9.00	3.41	9.39	3.47
	40.0	6.82	2.81	7.14	2.81	7.45	2.81	7.60	2.81	8.04	2.81	8.33	2.81
	43.0	6.15	2.31	6.40	2.31	6.66	2.31	6.78	2.31	7.14	2.31	7.38	2.31
	46.0	5.25	1.80	5.45	1.80	5.65	1.80	5.74	1.80	6.03	1.80	6.21	1.80
2.0+2.0+2.0+2.0	22.0	7.67	1.80	8.03	1.83	8.38	1.87	8.55	1.89	9.08	1.94	9.43	1.97
	25.0	7.46	1.86	7.81	1.90	8.16	1.93	8.34	1.95	8.87	2.00	9.22	2.04
	32.0	6.96	2.03	7.32	2.06	7.67	2.10	7.84	2.12	8.37	2.17	8.72	2.20
	35.0	6.75	2.10	7.10	2.14	7.45	2.17	<b>7.63</b>	<b>2.19</b>	8.16	2.24	8.51	2.28
	40.0	6.40	2.24	6.75	2.27	7.10	2.31	7.27	2.33	7.80	2.38	8.15	2.41
	43.0	6.16	2.31	6.46	2.31	6.75	2.31	6.90	2.31	7.32	2.31	7.59	2.31
	46.0	5.12	1.80	5.35	1.80	5.58	1.80	5.69	1.80	6.02	1.80	6.23	1.80
2.0+2.0+2.0+2.5	22.0	7.84	1.88	8.19	1.92	8.55	1.96	8.73	1.97	9.27	2.03	9.63	2.07
	25.0	7.62	1.95	7.98	1.99	8.34	2.02	8.52	2.04	9.05	2.10	9.41	2.13
	32.0	7.11	2.12	7.47	2.16	7.83	2.19	8.01	2.21	8.55	2.27	8.90	2.30
	35.0	6.89	2.20	7.25	2.24	7.61	2.27	<b>7.79</b>	<b>2.29</b>	8.33	2.35	8.69	2.38
	40.0	6.53	2.34	6.89	2.38	7.25	2.41	7.43	2.43	7.97	2.49	8.32	2.52
	43.0	6.16	2.31	6.46	2.31	6.75	2.31	6.89	2.31	7.31	2.31	7.58	2.31
	46.0	5.13	1.80	5.36	1.80	5.59	1.80	5.70	1.80	6.02	1.80	6.23	1.80
2.0+2.0+2.0+3.5	22.0	8.22	2.08	8.59	2.12	8.97	2.16	9.16	2.18	9.72	2.24	10.10	2.28
	25.0	7.99	2.15	8.37	2.19	8.74	2.23	8.93	2.26	9.50	2.32	9.87	2.36
	32.0	7.46	2.34	7.83	2.38	8.21	2.42	8.40	2.44	8.96	2.51	9.34	2.55
	35.0	7.23	2.43	7.61	2.47	7.98	2.51	<b>8.17</b>	<b>2.53</b>	8.73	2.59	9.11	2.63
	40.0	6.85	2.59	7.22	2.63	7.60	2.67	7.79	2.69	8.35	2.75	8.73	2.79
	43.0	6.21	2.31	6.50	2.31	6.78	2.31	6.92	2.31	7.33	2.31	7.59	2.31
	46.0	5.20	1.80	5.42	1.80	5.64	1.80	5.75	1.80	6.07	1.80	6.27	1.80
2.0+2.0+2.0+5.0	22.0	8.79	2.41	9.19	2.45	9.60	2.50	9.80	2.53	10.40	2.60	10.80	2.64
	25.0	8.55	2.49	8.95	2.54	9.35	2.59	9.55	2.61	10.16	2.68	10.56	2.73
	32.0	7.98	2.71	8.38	2.76	8.78	2.81	8.98	2.83	9.59	2.90	9.99	2.95
	35.0	7.73	2.82	8.14	2.86	8.54	2.91	<b>8.74</b>	<b>2.93</b>	9.34	3.00	9.75	3.05
	40.0	7.18	2.81	7.53	2.81	7.86	2.81	8.03	2.81	8.51	2.81	8.83	2.81
	43.0	6.36	2.31	6.64	2.31	6.92	2.31	7.05	2.31	7.45	2.31	7.70	2.31
	46.0	5.36	1.80	5.58	1.80	5.79	1.80	5.90	1.80	6.20	1.80	6.40	1.80
2.0+2.0+2.5+2.5	22.0	7.99	1.96	8.35	1.99	8.72	2.03	8.90	2.05	9.45	2.11	9.82	2.15
	25.0	7.76	2.03	8.13	2.06	8.50	2.10	8.68	2.12	9.23	2.18	9.59	2.22
	32.0	7.25	2.20	7.61	2.24	7.98	2.28	8.16	2.30	8.71	2.36	9.08	2.40
	35.0	7.03	2.29	7.39	2.33	7.76	2.36	<b>7.94</b>	<b>2.38</b>	8.49	2.44	8.85	2.48
	40.0	6.66	2.43	7.02	2.47	7.39	2.51	7.57	2.53	8.12	2.59	8.48	2.62
	43.0	6.18	2.31	6.47	2.31	6.76	2.31	6.90	2.31	7.31	2.31	7.58	2.31
	46.0	5.16	1.80	5.39	1.80	5.61	1.80	5.72	1.80	6.04	1.80	6.25	1.80

3D056436

#### SYMBOLS

TC : Total cooling capacity (kW)  
PI : Power input (kW)

#### NOTES

- Capacities are based on following conditions  
Corresponding refrigerant piping length : 5m  
Level difference : 0m
- The bold line  is indicated the standard condition.
- The above is the value for connecting with the following indoor units.  
2.0, 2.5, 3.5, 5.0 kW class: wall mounted D series  
6.0 kW class: wall mounted F series

# 4 Capacity tables

## 4 - 2 Cooling capacity tables

4

### 4MXS68F2V1B

Cooling [50Hz 230V]

Combination (Capacity)	Outdoor air temp. °CDB	Indoor air temp.: °CWB											
		14°C		16°C		18°C		19°C		22°C		24°C	
		TC kW	PI kW	TC kW	PI kW	TC kW	PI kW	TC kW	PI kW	TC kW	PI kW	TC kW	PI kW
2.0	22.0	2.65	0.51	2.77	0.52	2.89	0.53	2.95	0.53	3.13	0.55	3.25	0.56
	25.0	2.57	0.53	2.69	0.54	2.81	0.55	2.87	0.55	3.06	0.57	3.18	0.58
	32.0	2.40	0.57	2.52	0.58	2.64	0.59	2.70	0.60	2.89	0.61	3.01	0.62
	35.0	2.33	0.60	2.45	0.61	2.57	0.62	<b>2.63</b>	<b>0.62</b>	2.81	0.64	2.93	0.65
	40.0	2.20	0.63	2.33	0.64	2.45	0.65	2.51	0.66	2.69	0.67	2.81	0.68
	43.0	2.13	0.66	2.25	0.67	2.37	0.68	2.43	0.68	2.62	0.70	2.74	0.71
	46.0	2.06	0.68	2.18	0.69	2.30	0.70	2.36	0.71	2.54	0.72	2.66	0.73
2.5	22.0	3.05	0.61	3.55	0.71	3.70	0.73	3.78	0.73	4.01	0.75	4.17	0.77
	25.0	3.05	0.65	3.45	0.74	3.61	0.75	3.68	0.76	3.92	0.78	4.07	0.79
	32.0	3.05	0.78	3.23	0.80	3.39	0.81	3.46	0.82	3.70	0.84	3.85	0.86
	35.0	2.98	0.82	3.14	0.83	3.29	0.84	<b>3.37</b>	<b>0.85</b>	3.60	0.87	3.76	0.88
	40.0	2.82	0.87	2.98	0.88	3.14	0.90	3.21	0.90	3.45	0.92	3.60	0.94
	43.0	2.73	0.90	2.89	0.92	3.04	0.93	3.12	0.94	3.35	0.96	3.51	0.97
	46.0	2.64	0.94	2.79	0.95	2.95	0.96	3.02	0.97	3.26	0.99	3.41	1.00
3.5	22.0	3.38	0.74	4.15	0.94	4.98	1.17	5.34	1.27	5.67	1.30	5.88	1.33
	25.0	3.38	0.78	4.15	1.00	4.98	1.25	5.20	1.31	5.53	1.35	5.75	1.37
	32.0	3.38	0.94	4.15	1.20	4.78	1.41	4.89	1.42	5.22	1.46	5.44	1.48
	35.0	3.38	1.01	4.15	1.30	4.65	1.46	<b>4.76</b>	<b>1.47</b>	5.09	1.51	5.31	1.53
	40.0	3.38	1.16	4.15	1.49	4.43	1.55	4.54	1.56	4.87	1.60	5.09	1.62
	43.0	3.38	1.26	4.08	1.58	4.30	1.61	4.41	1.62	4.73	1.65	4.95	1.68
	46.0	3.38	1.38	3.94	1.64	4.18	1.67	4.27	1.68	4.60	1.71	4.82	1.74
5.0	22.0	4.33	1.01	5.32	1.30	6.38	1.66	6.64	1.73	7.05	1.78	7.32	1.81
	25.0	4.33	1.08	5.32	1.40	6.33	1.78	6.47	1.79	6.88	1.84	7.15	1.87
	32.0	4.33	1.29	5.32	1.69	5.95	1.93	6.09	1.94	6.49	1.99	6.77	2.02
	35.0	4.33	1.40	5.32	1.84	5.78	2.00	<b>5.92</b>	<b>2.01</b>	6.33	2.06	6.60	2.09
	40.0	4.33	1.61	5.24	2.09	5.51	2.12	5.64	2.14	6.05	2.18	6.33	2.22
	43.0	4.33	1.77	5.07	2.17	5.34	2.20	5.48	2.21	5.89	2.26	6.16	2.29
	46.0	4.22	1.80	4.42	1.80	4.61	1.80	4.71	1.80	4.99	1.80	5.17	1.80
6.0	22.0	5.60	1.51	6.71	1.94	7.01	1.98	7.15	2.00	7.59	2.06	7.89	2.09
	25.0	5.60	1.63	6.53	2.01	6.83	2.05	6.97	2.07	7.42	2.12	7.71	2.16
	32.0	5.60	2.00	6.12	2.19	6.41	2.22	6.56	2.24	7.00	2.30	7.29	2.33
	35.0	5.60	2.20	5.94	2.27	6.23	2.30	<b>6.38</b>	<b>2.32</b>	6.82	2.38	7.11	2.42
	40.0	5.35	2.37	5.64	2.41	5.94	2.45	6.08	2.46	6.52	2.52	6.82	2.56
	43.0	5.06	2.31	5.31	2.31	5.55	2.31	5.67	2.31	6.03	2.31	6.25	2.31
	46.0	4.34	1.80	4.53	1.80	4.72	1.80	4.81	1.80	5.09	1.80	5.26	1.80
2.0+2.0	22.0	5.05	1.19	5.28	1.21	5.51	1.24	5.63	1.25	5.97	1.28	6.21	1.31
	25.0	4.91	1.23	5.14	1.26	5.37	1.28	5.49	1.29	5.83	1.33	6.07	1.35
	32.0	4.58	1.34	4.81	1.37	5.04	1.39	5.16	1.40	5.51	1.44	5.74	1.46
	35.0	4.44	1.39	4.67	1.42	4.90	1.44	<b>5.02</b>	<b>1.45</b>	5.37	1.49	5.60	1.51
	40.0	4.21	1.48	4.44	1.51	4.67	1.53	4.79	1.54	5.13	1.58	5.36	1.60
	43.0	4.07	1.54	4.30	1.56	4.53	1.59	4.65	1.60	4.99	1.63	5.22	1.66
	46.0	3.93	1.60	4.16	1.62	4.39	1.64	4.51	1.66	4.85	1.69	5.08	1.71

3D056441

### SYMBOLS

TC : Total cooling capacity (kW)  
PI : Power input (kW)

### NOTES

- Capacities are based on following conditions  
Corresponding refrigerant piping length : 5m  
Level difference : 0m
- The bold line  is indicated the standard condition.
- The above is the value for connecting with the following indoor units.  
2.0, 2.5, 3.5 kW class: wall mounted D series  
5.0, 6.0 kW class: wall mounted F series

# 4 Capacity tables

## 4 - 2 Cooling capacity tables

4MXS68F2V1B Cooling [50Hz 230V]													
Combination (Capacity)	Outdoor air temp. °CDB	Indoor air temp.: °CWB											
		14°C		16°C		18°C		19°C		22°C		24°C	
		TC kW	PI kW	TC kW	PI kW	TC kW	PI kW	TC kW	PI kW	TC kW	PI kW	TC kW	PI kW
2.5+5.0	22.0	7.26	2.05	7.60	2.09	7.93	2.13	8.09	2.15	8.59	2.21	8.93	2.25
	25.0	7.06	2.13	7.39	2.17	7.73	2.21	7.89	2.23	8.39	2.29	8.72	2.33
	32.0	6.59	2.32	6.92	2.36	7.26	2.40	7.42	2.42	7.92	2.48	8.25	2.52
	35.0	6.39	2.40	6.72	2.44	7.05	2.48	<b>7.22</b>	<b>2.50</b>	7.72	2.56	8.05	2.60
	40.0	6.05	2.56	6.38	2.60	6.72	2.64	6.98	2.66	7.38	2.72	7.72	2.76
	43.0	5.56	2.31	5.83	2.31	6.09	2.31	6.21	2.31	6.59	2.31	6.83	2.31
	46.0	4.73	1.80	4.93	1.80	5.13	1.80	5.23	1.80	5.52	1.80	5.71	1.80
2.5+6.0	22.0	7.60	2.26	7.95	2.30	8.30	2.35	8.48	2.37	9.00	2.44	9.35	2.48
	25.0	7.39	2.34	7.74	2.39	8.09	2.43	8.26	2.45	8.79	2.52	9.13	2.56
	32.0	6.90	2.55	7.25	2.59	7.60	2.64	7.77	2.66	8.29	2.72	8.64	2.77
	35.0	6.69	2.64	7.04	2.69	7.39	2.73	<b>7.56</b>	<b>2.75</b>	8.08	2.82	8.43	2.86
	40.0	6.33	2.81	6.65	2.81	6.96	2.81	7.12	2.81	7.57	2.81	7.86	2.81
	43.0	5.69	2.31	5.95	2.31	6.20	2.31	6.32	2.31	6.69	2.31	6.93	2.31
	46.0	4.85	1.80	5.05	1.80	5.24	1.80	5.34	1.80	5.63	1.80	5.81	1.80
3.5+3.5	22.0	6.76	2.03	7.35	2.23	7.68	2.27	7.84	2.29	8.32	2.36	8.64	2.40
	25.0	6.76	2.22	7.16	2.31	7.48	2.35	7.64	2.37	8.12	2.43	8.45	2.48
	32.0	6.38	2.46	6.70	2.51	7.02	2.55	7.19	2.57	7.67	2.63	7.99	2.68
	35.0	6.18	2.56	6.51	2.60	6.83	2.64	<b>6.99</b>	<b>2.66</b>	7.47	2.73	7.80	2.77
	40.0	5.86	2.72	6.18	2.76	6.50	2.80	6.65	2.81	7.08	2.81	7.36	2.81
	43.0	5.34	2.31	5.59	2.31	5.83	2.31	5.95	2.31	6.30	2.31	6.53	2.31
	46.0	4.58	1.80	4.78	1.80	4.97	1.80	5.06	1.80	5.33	1.80	5.51	1.80
3.5+5.0	22.0	7.70	2.34	8.05	2.39	8.40	2.43	8.58	2.46	9.10	2.52	9.46	2.57
	25.0	7.48	2.43	7.83	2.47	8.19	2.52	8.36	2.54	8.89	2.61	9.24	2.65
	32.0	6.98	2.64	7.34	2.69	7.69	2.73	7.86	2.75	8.39	2.82	8.74	2.87
	35.0	6.77	2.74	7.12	2.78	7.47	2.83	<b>7.65</b>	<b>2.85</b>	8.18	2.92	8.53	2.97
	40.0	6.36	2.81	6.67	2.81	6.98	2.81	7.13	2.81	7.58	2.81	7.87	2.81
	43.0	5.72	2.31	5.98	2.31	6.23	2.31	6.35	2.31	6.71	2.31	6.95	2.31
	46.0	4.88	1.80	5.08	1.80	5.28	1.80	5.37	1.80	5.66	1.80	5.84	1.80
3.5+6.0	22.0	7.96	2.51	8.32	2.56	8.69	2.61	8.87	2.64	9.41	2.71	9.78	2.76
	25.0	7.74	2.61	8.10	2.65	8.46	2.70	8.65	2.73	9.19	2.80	9.56	2.85
	32.0	7.22	2.83	7.58	2.88	7.95	2.93	8.13	2.96	8.68	3.03	9.04	3.08
	35.0	7.00	2.94	7.36	2.99	7.73	3.04	<b>7.91</b>	<b>3.06</b>	8.46	3.14	8.82	3.19
	40.0	6.49	2.81	6.80	2.81	7.11	2.81	7.26	2.81	7.70	2.81	7.99	2.81
	43.0	5.85	2.31	6.11	2.31	6.36	2.31	6.48	2.31	6.84	2.31	7.07	2.31
	46.0	5.00	1.80	5.20	1.80	5.40	1.80	5.49	1.80	5.77	1.80	5.95	1.80
5.0+5.0	22.0	8.15	2.27	8.52	2.31	8.89	2.36	9.08	2.38	9.64	2.44	10.01	2.49
	25.0	7.92	2.35	8.29	2.39	8.67	2.44	8.85	2.46	9.41	2.53	9.79	2.57
	32.0	7.39	2.56	7.77	2.60	8.14	2.64	8.33	2.67	8.89	2.73	9.26	2.78
	35.0	7.17	2.65	7.54	2.70	7.91	2.74	<b>8.10</b>	<b>2.76</b>	8.66	2.83	9.03	2.87
	40.0	6.78	2.81	7.11	2.81	7.44	2.81	7.60	2.81	8.08	2.81	8.38	2.81
	43.0	6.03	2.31	6.30	2.31	6.57	2.31	6.70	2.31	7.09	2.31	7.34	2.31
	46.0	5.10	1.80	5.31	1.80	5.52	1.80	5.62	1.80	5.92	1.80	6.11	1.80

3D056442

### SYMBOLS

TC : Total cooling capacity (kW)  
PI : Power input (kW)

### NOTES

- Capacities are based on following conditions  
Corresponding refrigerant piping length : 5m  
Level difference : 0m
- The bold line  is indicated the standard condition.
- The above is the value for connecting with the following indoor units.  
2.0, 2.5, 3.5 kW class: wall mounted D series  
5.0, 6.0 kW class: wall mounted F series

# 4 Capacity tables

## 4 - 2 Cooling capacity tables

4

### 4MXS68F2V1B

Cooling [50Hz 230V]

Combination (Capacity)	Outdoor air temp. °CDB	Indoor air temp.: °CWB											
		14°C		16°C		18°C		19°C		22°C		24°C	
		TC kW	PI kW	TC kW	PI kW	TC kW	PI kW	TC kW	PI kW	TC kW	PI kW	TC kW	PI kW
2.0+2.5+2.5	22.0	7.14	1.86	7.47	1.89	7.80	1.93	7.96	1.95	8.45	2.00	8.78	2.04
	25.0	6.94	1.92	7.27	1.96	7.60	2.00	7.76	2.01	8.25	2.07	8.58	2.10
	32.0	6.48	2.09	6.81	2.13	7.13	2.17	7.30	2.18	7.79	2.24	8.12	2.27
	35.0	6.28	2.17	6.61	2.21	6.94	2.24	<b>7.10</b>	<b>2.26</b>	7.59	2.32	7.92	2.35
	40.0	5.95	2.31	6.28	2.35	6.61	2.38	6.77	2.40	7.26	2.46	7.59	2.49
	43.0	5.66	2.31	5.94	2.31	6.21	2.31	6.34	2.31	6.73	2.31	6.98	2.31
	46.0	4.77	1.80	4.98	1.80	5.19	1.80	5.29	1.80	5.60	1.80	5.79	1.80
2.0+2.5+3.5	22.0	7.63	2.13	7.98	2.17	8.33	2.21	8.51	2.23	9.03	2.29	9.38	2.34
	25.0	7.42	2.20	7.77	2.25	8.12	2.29	8.30	2.31	8.82	2.37	9.17	2.41
	32.0	6.93	2.40	7.28	2.44	7.63	2.48	7.80	2.50	8.33	2.56	8.68	2.61
	35.0	6.72	2.49	7.07	2.53	7.42	2.57	<b>7.59</b>	<b>2.59</b>	8.11	2.65	8.46	2.70
	40.0	6.36	2.65	6.71	2.69	7.06	2.73	7.24	2.75	7.75	2.81	8.05	2.81
	43.0	5.77	2.31	6.04	2.31	6.30	2.31	6.43	2.31	6.81	2.31	7.06	2.31
	46.0	4.89	1.80	5.10	1.80	5.30	1.80	5.40	1.80	5.70	1.80	5.89	1.80
2.0+2.5+5.0	22.0	7.99	2.09	8.35	2.13	8.72	2.17	8.90	2.19	9.45	2.25	9.82	2.29
	25.0	7.76	2.16	8.13	2.20	8.50	2.24	8.68	2.26	9.23	2.32	9.59	2.37
	32.0	7.25	2.35	7.61	2.39	7.98	2.43	8.16	2.45	8.71	2.52	9.08	2.56
	35.0	7.03	2.44	7.39	2.48	7.76	2.52	<b>7.94</b>	<b>2.54</b>	8.49	2.60	8.85	2.64
	40.0	6.66	2.60	7.02	2.64	7.39	2.68	7.57	2.70	8.12	2.76	8.48	2.80
	43.0	6.04	2.31	6.32	2.31	6.60	2.31	6.74	2.31	7.13	2.31	7.39	2.31
	46.0	5.08	1.80	5.30	1.80	5.51	1.80	5.62	1.80	5.93	1.80	6.13	1.80
2.0+2.5+6.0	22.0	8.43	2.33	8.82	2.38	9.20	2.42	9.39	2.45	9.97	2.52	10.36	2.56
	25.0	8.20	2.42	8.58	2.46	8.97	2.51	9.16	2.53	9.74	2.60	10.13	2.65
	32.0	7.65	2.63	8.03	2.68	8.42	2.72	8.61	2.74	9.19	2.81	9.58	2.86
	35.0	7.41	2.73	7.80	2.77	8.19	2.82	<b>8.38</b>	<b>2.84</b>	8.96	2.91	9.35	2.96
	40.0	6.95	2.81	7.29	2.81	7.62	2.81	7.79	2.81	8.26	2.81	8.57	2.81
	43.0	6.17	2.31	6.45	2.31	6.72	2.31	6.85	2.31	7.24	2.31	7.50	2.31
	46.0	5.21	1.80	5.43	1.80	5.64	1.80	5.74	1.80	6.04	1.80	6.24	1.80
2.0+3.5+3.5	22.0	7.96	2.34	8.32	2.39	8.69	2.43	8.87	2.46	9.41	2.52	9.78	2.57
	25.0	7.74	2.43	8.10	2.47	8.46	2.52	8.65	2.54	9.19	2.61	9.56	2.65
	32.0	7.22	2.64	7.58	2.69	7.95	2.73	8.13	2.75	8.68	2.82	9.04	2.87
	35.0	7.00	2.74	7.36	2.78	7.73	2.83	<b>7.91</b>	<b>2.85</b>	8.46	2.92	8.82	2.97
	40.0	6.57	2.81	6.89	2.81	7.21	2.81	7.36	2.81	7.82	2.81	8.11	2.81
	43.0	5.88	2.31	6.14	2.31	6.40	2.31	6.53	2.31	6.90	2.31	7.14	2.31
	46.0	5.00	1.80	5.20	1.80	5.40	1.80	5.50	1.80	5.79	1.80	5.98	1.80
2.0+3.5+5.0	22.0	8.40	2.33	8.78	2.38	9.17	2.42	9.36	2.45	9.94	2.52	10.32	2.56
	25.0	8.17	2.42	8.55	2.46	8.94	2.51	9.13	2.53	9.70	2.60	10.09	2.65
	32.0	7.62	2.63	8.01	2.68	8.39	2.72	8.58	2.74	9.16	2.81	9.55	2.86
	35.0	7.39	2.73	7.77	2.77	8.16	2.82	<b>8.35</b>	<b>2.84</b>	8.93	2.91	9.31	2.96
	40.0	6.93	2.81	7.27	2.81	7.60	2.81	7.76	2.81	8.24	2.81	8.54	2.81
	43.0	6.15	2.31	6.43	2.31	6.70	2.31	6.83	2.31	7.22	2.31	7.47	2.31
	46.0	5.20	1.80	5.41	1.80	5.62	1.80	5.72	1.80	6.03	1.80	6.22	1.80

3D056443

### SYMBOLS

TC : Total cooling capacity (kW)  
PI : Power input (kW)

### NOTES

- Capacities are based on following conditions  
Corresponding refrigerant piping length : 5m  
Level difference : 0m
- The bold line  is indicated the standard condition.
- The above is the value for connecting with the following indoor units.  
2.0, 2.5, 3.5 kW class: wall mounted D series  
5.0, 6.0 kW class: wall mounted F series

# 4 Capacity tables

## 4 - 2 Cooling capacity tables

### 4MXS68F2V1B

#### Cooling [50Hz 230V]

Combination (Capacity)	Outdoor air temp. °CDB	Indoor air temp.: °CWB											
		14°C		16°C		18°C		19°C		22°C		24°C	
		TC kW	PI kW	TC kW	PI kW	TC kW	PI kW	TC kW	PI kW	TC kW	PI kW	TC kW	PI kW
3.5+3.5+3.5	22.0	8.47	2.74	8.86	2.79	9.25	2.84	9.44	2.87	10.02	2.95	10.41	3.00
	25.0	8.23	2.83	8.62	2.89	9.01	2.94	9.20	2.97	9.79	3.05	10.17	3.10
	32.0	7.69	3.08	8.07	3.14	8.46	3.19	8.66	3.22	9.24	3.30	9.63	3.35
	35.0	7.45	3.20	7.84	3.25	8.23	3.31	<b>8.42</b>	<b>3.33</b>	9.00	3.41	9.39	3.47
	40.0	6.82	2.81	7.14	2.81	7.45	2.81	7.60	2.81	8.04	2.81	8.33	2.81
	43.0	6.15	2.31	6.40	2.31	6.66	2.31	6.78	2.31	7.14	2.31	7.38	2.31
	46.0	5.25	1.80	5.45	1.80	5.65	1.80	5.74	1.80	6.03	1.80	6.21	1.80
2.0+2.0+2.0+2.0	22.0	7.67	1.80	8.03	1.83	8.38	1.87	8.55	1.89	9.08	1.94	9.43	1.97
	25.0	7.46	1.86	7.81	1.90	8.16	1.93	8.34	1.95	8.87	2.00	9.22	2.04
	32.0	6.96	2.03	7.32	2.06	7.67	2.10	7.84	2.12	8.37	2.17	8.72	2.20
	35.0	6.75	2.10	7.10	2.14	7.45	2.17	<b>7.63</b>	<b>2.19</b>	8.16	2.24	8.51	2.28
	40.0	6.40	2.24	6.75	2.27	7.10	2.31	7.27	2.33	7.80	2.38	8.15	2.41
	43.0	6.16	2.31	6.46	2.31	6.75	2.31	6.90	2.31	7.32	2.31	7.59	2.31
	46.0	5.12	1.80	5.35	1.80	5.58	1.80	5.69	1.80	6.02	1.80	6.23	1.80
2.0+2.0+2.0+2.5	22.0	7.84	1.88	8.19	1.92	8.55	1.96	8.73	1.97	9.27	2.03	9.63	2.07
	25.0	7.62	1.95	7.98	1.99	8.34	2.02	8.52	2.04	9.05	2.10	9.41	2.13
	32.0	7.11	2.12	7.47	2.16	7.83	2.19	8.01	2.21	8.55	2.27	8.90	2.30
	35.0	6.89	2.20	7.25	2.24	7.61	2.27	<b>7.79</b>	<b>2.29</b>	8.33	2.35	8.69	2.38
	40.0	6.53	2.34	6.89	2.38	7.25	2.41	7.43	2.43	7.97	2.49	8.32	2.52
	43.0	6.16	2.31	6.46	2.31	6.75	2.31	6.89	2.31	7.31	2.31	7.58	2.31
	46.0	5.13	1.80	5.36	1.80	5.59	1.80	5.70	1.80	6.02	1.80	6.23	1.80
2.0+2.0+2.0+3.5	22.0	8.22	2.08	8.59	2.12	8.97	2.16	9.16	2.18	9.72	2.24	10.10	2.28
	25.0	7.99	2.15	8.37	2.19	8.74	2.23	8.93	2.26	9.50	2.32	9.87	2.36
	32.0	7.46	2.34	7.83	2.38	8.21	2.42	8.40	2.44	8.96	2.51	9.34	2.55
	35.0	7.23	2.43	7.61	2.47	7.98	2.51	<b>8.17</b>	<b>2.53</b>	8.73	2.59	9.11	2.63
	40.0	6.85	2.59	7.22	2.63	7.60	2.67	7.79	2.69	8.35	2.75	8.73	2.79
	43.0	6.21	2.31	6.50	2.31	6.78	2.31	6.92	2.31	7.33	2.31	7.59	2.31
	46.0	5.20	1.80	5.42	1.80	5.64	1.80	5.75	1.80	6.07	1.80	6.27	1.80
2.0+2.0+2.0+5.0	22.0	8.80	2.23	9.20	2.27	9.61	2.31	9.81	2.34	10.41	2.40	10.82	2.44
	25.0	8.56	2.31	8.96	2.35	9.36	2.39	9.56	2.42	10.17	2.48	10.57	2.52
	32.0	7.99	2.51	8.39	2.55	8.79	2.60	8.99	2.62	9.60	2.68	10.00	2.73
	35.0	7.74	2.60	8.15	2.65	8.55	2.69	<b>8.75</b>	<b>2.71</b>	9.35	2.78	9.76	2.82
	40.0	7.33	2.77	7.73	2.81	8.08	2.81	8.25	2.81	8.76	2.81	9.09	2.81
	43.0	6.47	2.31	6.77	2.31	7.05	2.31	7.19	2.31	7.61	2.31	7.87	2.31
	46.0	5.41	1.80	5.64	1.80	5.86	1.80	5.97	1.80	6.29	1.80	6.50	1.80
2.0+2.0+2.5+2.5	22.0	7.99	1.96	8.35	1.99	8.72	2.03	8.90	2.05	9.45	2.11	9.82	2.15
	25.0	7.76	2.03	8.13	2.06	8.50	2.10	8.68	2.12	9.23	2.18	9.59	2.22
	32.0	7.25	2.20	7.61	2.24	7.98	2.28	8.16	2.30	8.71	2.36	9.08	2.40
	35.0	7.03	2.29	7.39	2.33	7.76	2.36	<b>7.94</b>	<b>2.38</b>	8.49	2.44	8.85	2.48
	40.0	6.66	2.43	7.02	2.47	7.39	2.51	7.57	2.53	8.12	2.59	8.48	2.62
	43.0	6.18	2.31	6.47	2.31	6.76	2.31	6.90	2.31	7.31	2.31	7.58	2.31
	46.0	5.16	1.80	5.39	1.80	5.61	1.80	5.72	1.80	6.04	1.80	6.25	1.80

3D056444

#### SYMBOLS

TC : Total cooling capacity (kW)  
PI : Power input (kW)

#### NOTES

- Capacities are based on following conditions  
Corresponding refrigerant piping length : 5m  
Level difference : 0m
- The bold line  is indicated the standard condition.
- The above is the value for connecting with the following indoor units.  
2.0, 2.5, 3.5 kW class: wall mounted D series  
5.0, 6.0 kW class: wall mounted F series



# 4 Capacity tables

## 4 - 2 Cooling capacity tables

4

### 4MXS68F2V1B

Cooling [50Hz 230V]

Combination (Capacity)	Outdoor air temp. °CDB	Indoor air temp.: °CWB											
		14°C		16°C		18°C		19°C		22°C		24°C	
		TC kW	PI kW	TC kW	PI kW	TC kW	PI kW	TC kW	PI kW	TC kW	PI kW	TC kW	PI kW
2.0+2.5	22.0	5.36	1.32	5.81	1.35	5.85	1.37	5.98	1.39	6.34	1.43	6.59	1.45
	25.0	5.21	1.37	5.46	1.40	5.70	1.42	5.83	1.44	6.19	1.47	6.44	1.50
	32.0	4.87	1.49	5.11	1.52	5.36	1.54	5.48	1.56	5.85	1.59	6.09	1.62
	35.0	4.72	1.55	4.96	1.57	5.21	1.60	<b>5.33</b>	<b>1.61</b>	5.70	1.65	5.94	1.68
	40.0	4.47	1.65	4.71	1.67	4.96	1.70	5.08	1.71	5.45	1.75	5.70	1.77
	43.0	4.32	1.71	4.56	1.73	4.81	1.76	4.93	1.77	5.30	1.81	5.55	1.84
	46.0	4.17	1.77	4.42	1.80	4.63	1.80	4.73	1.80	5.03	1.80	5.22	1.80
2.0+3.5	22.0	6.22	1.77	6.50	1.80	6.79	1.84	6.93	1.85	7.36	1.90	7.64	1.94
	25.0	6.04	1.83	6.33	1.86	6.61	1.90	6.76	1.92	7.18	1.97	7.47	2.00
	32.0	5.64	1.99	5.93	2.03	6.21	2.06	6.35	2.08	6.78	2.13	7.06	2.16
	35.0	5.47	2.07	5.75	2.10	6.04	2.14	<b>6.18</b>	<b>2.15</b>	6.61	2.20	6.89	2.24
	40.0	5.18	2.20	5.47	2.23	5.75	2.27	5.89	2.28	6.32	2.34	6.60	2.37
	43.0	5.01	2.28	5.28	2.31	5.53	2.31	5.65	2.31	6.01	2.31	6.25	2.31
	46.0	4.29	1.90	4.49	1.80	4.68	1.80	4.78	1.80	5.06	1.80	5.24	1.80
2.0+5.0	22.0	7.16	2.18	7.49	2.22	7.82	2.26	7.98	2.28	8.47	2.35	8.80	2.39
	25.0	6.96	2.26	7.29	2.30	7.62	2.34	7.78	2.36	8.28	2.43	8.60	2.47
	32.0	6.50	2.45	6.83	2.50	7.15	2.54	7.32	2.56	7.81	2.62	8.14	2.67
	35.0	6.30	2.55	6.63	2.59	6.96	2.63	<b>7.12</b>	<b>2.65</b>	7.61	2.72	7.94	2.76
	40.0	5.97	2.71	6.30	2.75	6.62	2.79	6.78	2.81	7.22	2.81	7.50	2.81
	43.0	5.49	2.31	5.88	2.31	5.93	2.31	6.05	2.31	6.41	2.31	6.64	2.31
	46.0	4.65	1.80	4.84	1.80	5.04	1.80	5.13	1.80	5.41	1.80	5.59	1.80
2.0+6.0	22.0	7.60	2.26	7.95	2.30	8.30	2.35	8.48	2.37	9.00	2.44	9.35	2.48
	25.0	7.39	2.34	7.74	2.39	8.09	2.43	8.26	2.45	8.79	2.52	9.13	2.56
	32.0	6.90	2.55	7.25	2.59	7.60	2.64	7.77	2.66	8.29	2.72	8.64	2.77
	35.0	6.69	2.64	7.04	2.69	7.39	2.73	<b>7.56</b>	<b>2.75</b>	8.08	2.82	8.43	2.86
	40.0	6.33	2.81	6.65	2.81	6.96	2.81	7.12	2.81	7.57	2.81	7.86	2.81
	43.0	5.69	2.31	5.95	2.31	6.20	2.31	6.32	2.31	6.69	2.31	6.93	2.31
	46.0	4.85	1.80	5.05	1.80	5.24	1.80	5.34	1.80	5.63	1.80	5.81	1.80
2.5+2.5	22.0	6.02	1.64	6.29	1.68	6.57	1.71	6.70	1.72	7.12	1.77	7.39	1.80
	25.0	5.85	1.70	6.12	1.73	6.40	1.77	6.54	1.78	6.95	1.83	7.23	1.86
	32.0	5.46	1.85	5.73	1.88	6.01	1.92	6.15	1.93	6.56	1.98	6.84	2.01
	35.0	5.29	1.92	5.57	1.95	5.84	1.99	<b>5.98</b>	<b>2.00</b>	6.39	2.05	6.67	2.08
	40.0	5.01	2.04	5.29	2.08	5.56	2.11	5.70	2.12	6.11	2.17	6.39	2.20
	43.0	4.85	2.12	5.12	2.15	5.40	2.19	5.53	2.20	5.95	2.25	6.22	2.28
	46.0	4.26	1.80	4.46	1.80	4.66	1.80	4.76	1.80	5.04	1.80	5.23	1.80
2.5+3.5	22.0	6.43	1.92	6.77	1.99	7.07	2.02	7.22	2.04	7.66	2.10	7.96	2.14
	25.0	6.30	2.02	6.59	2.06	6.89	2.09	7.04	2.11	7.48	2.17	7.78	2.21
	32.0	5.88	2.20	6.17	2.23	6.47	2.27	6.62	2.29	7.06	2.35	7.36	2.38
	35.0	5.70	2.28	5.99	2.32	6.29	2.35	<b>6.44</b>	<b>2.37</b>	6.89	2.43	7.18	2.47
	40.0	5.40	2.42	5.70	2.46	5.99	2.50	6.14	2.52	6.59	2.57	6.88	2.61
	43.0	5.07	2.31	5.32	2.31	5.57	2.31	5.69	2.31	6.04	2.31	6.26	2.31
	46.0	4.35	1.80	4.55	1.80	4.73	1.80	4.83	1.80	5.10	1.80	5.28	1.80

3D056433

### SYMBOLS

TC : Total cooling capacity (kW)  
PI : Power input (kW)

### NOTES

- Capacities are based on following conditions  
Corresponding refrigerant piping length : 5m  
Level difference : 0m
- The bold line  is indicated the standard condition.
- The above is the value for connecting with the following indoor units.  
2.0, 2.5, 3.5, 5.0 kW class: wall mounted D series  
6.0 kW class: wall mounted F series

# 4 Capacity tables

## 4 - 2 Cooling capacity tables

4MXS68F2V1B Cooling [50Hz 230V]													
Combination (Capacity)	Outdoor air temp. °CDB	Indoor air temp.: °CWB											
		14°C		16°C		18°C		19°C		22°C		24°C	
		TC kW	PI kW	TC kW	PI kW	TC kW	PI kW	TC kW	PI kW	TC kW	PI kW	TC kW	PI kW
5.0+6.0	22.0	8.33	2.70	8.71	2.75	9.09	2.80	9.28	2.83	9.85	2.91	10.24	2.96
	25.0	8.10	2.79	8.48	2.84	8.86	2.90	9.05	2.92	9.62	3.00	10.00	3.05
	32.0	7.56	3.04	7.94	3.09	8.32	3.14	8.51	3.17	9.08	3.25	9.47	3.30
	35.0	7.33	3.15	7.71	3.20	8.09	3.26	<b>8.28</b>	<b>3.28</b>	8.85	3.36	9.23	3.41
	40.0	6.73	2.81	7.04	2.81	7.35	2.81	7.50	2.81	7.94	2.81	8.23	2.81
	43.0	6.07	2.31	6.32	2.31	6.57	2.31	6.70	2.31	7.06	2.31	7.29	2.31
	46.0	5.19	1.80	5.39	1.80	5.58	1.80	5.68	1.80	5.96	1.80	6.14	1.80
2.0+2.0+2.0	22.0	6.55	1.55	6.85	1.58	7.15	1.61	7.30	1.63	7.75	1.67	8.05	1.70
	25.0	6.37	1.61	6.67	1.64	6.97	1.67	7.12	1.68	7.57	1.73	7.87	1.76
	32.0	5.94	1.75	6.24	1.78	6.54	1.81	6.69	1.83	7.14	1.87	7.44	1.90
	35.0	5.76	1.82	6.06	1.85	6.36	1.88	<b>6.51</b>	<b>1.89</b>	6.96	1.94	7.26	1.97
	40.0	5.46	1.93	5.76	1.96	6.06	1.99	6.21	2.01	6.66	2.05	6.96	2.08
	43.0	5.28	2.01	5.58	2.04	5.88	2.07	6.02	2.08	6.47	2.13	6.77	2.16
	46.0	4.71	1.80	4.94	1.80	5.16	1.80	5.27	1.80	5.58	1.80	5.79	1.80
2.0+2.0+2.5	22.0	6.93	1.74	7.25	1.78	7.57	1.81	7.72	1.83	8.20	1.88	8.52	1.91
	25.0	6.74	1.80	7.06	1.84	7.37	1.87	7.53	1.89	8.01	1.94	8.33	1.97
	32.0	6.29	1.96	6.61	2.00	6.92	2.03	7.08	2.05	7.56	2.10	7.88	2.13
	35.0	6.10	2.04	6.41	2.07	6.73	2.11	<b>6.89</b>	<b>2.12</b>	7.37	2.17	7.68	2.21
	40.0	5.78	2.17	6.09	2.20	6.41	2.24	6.57	2.25	7.05	2.30	7.36	2.34
	43.0	5.58	2.25	5.90	2.28	6.20	2.31	6.34	2.31	6.73	2.31	6.99	2.31
	46.0	4.74	1.80	4.96	1.80	5.17	1.80	5.27	1.80	5.58	1.80	5.78	1.80
2.0+2.0+3.5	22.0	7.29	1.93	7.63	1.97	7.96	2.01	8.13	2.03	8.63	2.08	8.96	2.12
	25.0	7.09	2.00	7.42	2.04	7.76	2.08	7.93	2.09	8.43	2.15	8.76	2.19
	32.0	6.62	2.18	6.95	2.21	7.29	2.25	7.45	2.27	7.95	2.33	8.29	2.36
	35.0	6.41	2.26	6.75	2.30	7.08	2.33	<b>7.25</b>	<b>2.35</b>	7.75	2.41	8.09	2.45
	40.0	6.08	2.40	6.41	2.44	6.75	2.48	6.91	2.50	7.41	2.55	7.75	2.59
	43.0	5.69	2.31	5.97	2.31	6.24	2.31	6.37	2.31	6.75	2.31	7.01	2.31
	46.0	4.80	1.80	5.01	1.80	5.22	1.80	5.32	1.80	5.63	1.80	5.82	1.80
2.0+2.0+5.0	22.0	7.90	2.21	8.26	2.25	8.62	2.30	8.80	2.32	9.34	2.38	9.70	2.43
	25.0	7.68	2.29	8.04	2.33	8.40	2.38	8.58	2.40	9.12	2.46	9.49	2.51
	32.0	7.17	2.49	7.53	2.53	7.89	2.58	8.07	2.60	8.61	2.66	8.97	2.71
	35.0	6.95	2.59	7.31	2.63	7.67	2.67	<b>7.85</b>	<b>2.69</b>	8.39	2.76	8.75	2.80
	40.0	6.58	2.75	6.94	2.79	7.28	2.81	7.44	2.81	7.90	2.81	8.21	2.81
	43.0	5.90	2.31	6.17	2.31	6.43	2.31	6.56	2.31	6.94	2.31	7.19	2.31
	46.0	4.99	1.80	5.20	1.80	5.41	1.80	5.51	1.80	5.80	1.80	6.00	1.80
2.0+2.0+6.0	22.0	8.16	2.17	8.53	2.21	8.91	2.25	9.09	2.28	9.65	2.34	10.03	2.38
	25.0	7.93	2.25	8.30	2.29	8.68	2.33	8.87	2.35	9.43	2.42	9.80	2.46
	32.0	7.40	2.45	7.78	2.49	8.15	2.53	8.34	2.55	8.90	2.61	9.27	2.66
	35.0	7.18	2.54	7.55	2.58	7.92	2.62	<b>8.11</b>	<b>2.64</b>	8.67	2.71	9.04	2.75
	40.0	6.80	2.70	7.17	2.74	7.55	2.78	7.73	2.80	8.22	2.81	8.53	2.81
	43.0	6.09	2.31	6.37	2.31	6.65	2.31	6.78	2.31	7.18	2.31	7.43	2.31
	46.0	5.13	1.80	5.35	1.80	5.56	1.80	5.66	1.80	5.97	1.80	6.17	1.80

3D056434

### SYMBOLS

TC : Total cooling capacity (kW)  
PI : Power input (kW)

### NOTES

- Capacities are based on following conditions  
Corresponding refrigerant piping length : 5m  
Level difference : 0m
- The bold line  is indicated the standard condition.
- The above is the value for connecting with the following indoor units.  
2.0, 2.5, 3.5, 5.0 kW class: wall mounted D series  
6.0 kW class: wall mounted F series

# 4 Capacity tables

## 4 - 2 Cooling capacity tables

4

### 4MXS68F2V1B

Cooling [50Hz 230V]

Combination (Capacity)	Outdoor air temp. °CDB	Indoor air temp.: °CWB											
		14°C		16°C		18°C		19°C		22°C		24°C	
		TC kW	PI kW	TC kW	PI kW	TC kW	PI kW	TC kW	PI kW	TC kW	PI kW	TC kW	PI kW
2.5+2.5+2.5	22.0	7.42	2.01	7.76	2.05	8.10	2.09	8.27	2.11	8.78	2.17	9.12	2.21
	25.0	7.22	2.09	7.56	2.12	7.90	2.18	8.07	2.18	8.58	2.24	8.92	2.28
	32.0	6.74	2.27	7.08	2.31	7.42	2.35	<b>7.59</b>	<b>2.37</b>	8.10	2.43	8.44	2.47
	35.0	6.53	2.35	6.87	2.39	7.21	2.43	<b>7.38</b>	<b>2.45</b>	7.89	2.51	8.23	2.55
	40.0	6.19	2.51	6.53	2.54	6.87	2.58	7.04	2.60	7.55	2.66	7.89	2.70
	43.0	5.71	2.31	5.98	2.31	6.25	2.31	6.38	2.31	6.76	2.31	7.01	2.31
	46.0	4.83	1.80	5.04	1.80	5.24	1.80	5.34	1.80	5.64	1.80	5.84	1.80
2.5+2.5+3.5	22.0	7.83	2.26	8.18	2.30	8.54	2.35	8.72	2.37	9.26	2.44	9.62	2.48
	25.0	7.61	2.34	7.97	2.39	8.33	2.43	8.50	2.45	9.04	2.52	9.40	2.56
	32.0	7.10	2.55	7.46	2.59	7.82	2.64	8.00	2.66	8.54	2.72	8.89	2.77
	35.0	6.88	2.64	7.24	2.69	7.60	2.73	<b>7.78</b>	<b>2.75</b>	8.32	2.82	8.68	2.86
	40.0	6.52	2.81	6.84	2.81	7.18	2.81	7.32	2.81	7.78	2.81	8.08	2.81
	43.0	5.83	2.31	6.09	2.31	6.35	2.31	6.48	2.31	6.85	2.31	7.10	2.31
	46.0	4.95	1.80	5.15	1.80	5.36	1.80	5.46	1.80	5.75	1.80	5.94	1.80
2.5+2.5+5.0	22.0	8.33	2.51	8.71	2.56	9.09	2.61	9.28	2.64	9.85	2.71	10.24	2.76
	25.0	8.10	2.61	8.48	2.65	8.86	2.70	9.05	2.73	9.62	2.80	10.00	2.85
	32.0	7.56	2.83	7.94	2.88	8.32	2.93	8.51	2.96	9.08	3.03	9.47	3.08
	35.0	7.33	2.94	7.71	2.99	8.09	3.04	<b>8.28</b>	<b>3.06</b>	8.85	3.14	9.23	3.19
	40.0	6.77	2.81	7.09	2.81	7.41	2.81	7.56	2.81	8.02	2.81	8.31	2.81
	43.0	6.06	2.31	6.33	2.31	6.59	2.31	6.71	2.31	7.09	2.31	7.33	2.31
	46.0	5.16	1.80	5.36	1.80	5.56	1.80	5.66	1.80	5.95	1.80	6.14	1.80
2.5+2.5+6.0	22.0	8.62	2.47	9.02	2.51	9.41	2.56	9.61	2.59	10.20	2.66	10.59	2.71
	25.0	8.38	2.55	8.78	2.60	9.17	2.65	9.37	2.67	9.96	2.75	10.36	2.79
	32.0	7.82	2.78	8.22	2.83	8.61	2.87	8.81	2.90	9.40	2.97	9.80	3.02
	35.0	7.58	2.88	7.98	2.93	8.37	2.98	<b>8.57</b>	<b>3.00</b>	9.16	3.08	9.56	3.12
	40.0	7.01	2.81	7.35	2.81	7.67	2.81	7.84	2.81	8.31	2.81	8.61	2.81
	43.0	6.24	2.31	6.51	2.31	6.78	2.31	6.91	2.31	7.30	2.31	7.55	2.31
	46.0	5.28	1.80	5.49	1.80	5.70	1.80	5.80	1.80	6.10	1.80	6.30	1.80
2.5+3.5+3.5	22.0	8.19	2.51	8.56	2.56	8.94	2.61	9.13	2.64	9.69	2.71	10.06	2.76
	25.0	7.96	2.61	8.34	2.65	8.71	2.70	8.90	2.73	9.46	2.80	9.84	2.85
	32.0	7.43	2.83	7.80	2.88	8.18	2.93	8.37	2.96	8.93	3.03	9.30	3.08
	35.0	7.20	2.94	7.58	2.99	7.95	3.04	<b>8.14</b>	<b>3.06</b>	8.70	3.14	9.08	3.19
	40.0	6.66	2.81	6.98	2.81	7.29	2.81	7.45	2.81	7.90	2.81	8.19	2.81
	43.0	5.98	2.31	6.24	2.31	6.50	2.31	6.62	2.31	6.99	2.31	7.23	2.31
	46.0	5.10	1.80	5.30	1.80	5.50	1.80	5.60	1.80	5.88	1.80	6.07	1.80
2.5+3.5+5.0	22.0	8.62	2.74	9.02	2.79	9.41	2.84	9.61	2.87	10.20	2.95	10.59	3.00
	25.0	8.38	2.83	8.78	2.89	9.17	2.94	9.37	2.97	9.96	3.05	10.36	3.10
	32.0	7.82	3.08	8.22	3.14	8.61	3.19	8.81	3.22	9.40	3.30	9.80	3.35
	35.0	7.58	3.20	7.98	3.25	8.37	3.31	<b>8.57</b>	<b>3.33</b>	9.16	3.41	9.56	3.47
	40.0	6.93	2.81	7.25	2.81	7.56	2.81	7.71	2.81	8.16	2.81	8.46	2.81
	43.0	6.23	2.31	6.49	2.31	6.74	2.31	6.87	2.31	7.24	2.31	7.47	2.31
	46.0	5.31	1.80	5.51	1.80	5.71	1.80	5.81	1.80	6.09	1.80	6.28	1.80

3D056435

### SYMBOLS

TC : Total cooling capacity (kW)  
PI : Power input (kW)

### NOTES

- Capacities are based on following conditions  
Corresponding refrigerant piping length : 5m  
Level difference : 0m
- The bold line  is indicated the standard condition.
- The above is the value for connecting with the following indoor units.  
2.0, 2.5, 3.5, 5.0 kW class: wall mounted D series  
6.0 kW class: wall mounted F series

## 4 Capacity tables

### 4 - 2 Cooling capacity tables

4MXS68F2V1B Cooling [50Hz 230V]													
Combination (Capacity)	Outdoor air temp. °CDB	Indoor air temp.: °CWB											
		14°C		16°C		18°C		19°C		22°C		24°C	
		TC kW	PI kW	TC kW	PI kW	TC kW	PI kW	TC kW	PI kW	TC kW	PI kW	TC kW	PI kW
2.0+2.0+2.5+3.5	22.0	8.37	2.16	8.75	2.20	9.14	2.25	9.33	2.27	9.90	2.33	10.29	2.37
	25.0	8.14	2.24	8.52	2.28	8.90	2.32	9.09	2.34	9.67	2.41	10.05	2.45
	32.0	7.59	2.44	7.98	2.48	8.36	2.52	8.55	2.54	9.13	2.60	9.51	2.65
	35.0	7.36	2.53	7.75	2.57	8.13	2.61	<b>8.32</b>	<b>2.63</b>	8.89	2.70	9.28	2.74
	40.0	6.97	2.69	7.36	2.73	7.74	2.77	7.93	2.79	8.44	2.81	8.76	2.81
	43.0	6.24	2.31	6.53	2.31	6.81	2.31	6.94	2.31	7.35	2.31	7.61	2.31
	46.0	5.23	1.80	5.46	1.80	5.67	1.80	5.78	1.80	6.10	1.80	6.30	1.80
2.0+2.0+3.5+3.5	22.0	8.66	2.33	9.06	2.38	9.45	2.42	9.65	2.45	10.25	2.52	10.64	2.56
	25.0	8.42	2.42	8.82	2.46	9.21	2.51	9.41	2.53	10.01	2.60	10.40	2.65
	32.0	7.86	2.63	8.26	2.68	8.65	2.72	8.85	2.74	9.45	2.81	9.84	2.86
	35.0	7.62	2.73	8.01	2.77	8.41	2.82	<b>8.61</b>	<b>2.84</b>	9.21	2.91	9.60	2.96
	40.0	7.14	2.81	7.49	2.81	7.82	2.81	7.99	2.81	8.48	2.81	8.79	2.81
	43.0	6.32	2.31	6.60	2.31	6.87	2.31	7.01	2.31	7.41	2.31	7.67	2.31
	46.0	5.32	1.80	5.53	1.80	5.75	1.80	5.85	1.80	6.16	1.80	6.36	1.80
2.0+2.5+2.5+2.5	22.0	8.22	2.08	8.59	2.12	8.97	2.16	9.16	2.18	9.72	2.24	10.10	2.28
	25.0	7.99	2.15	8.37	2.19	8.74	2.23	8.93	2.26	9.50	2.32	9.87	2.36
	32.0	7.46	2.34	7.83	2.38	8.21	2.42	8.40	2.44	8.96	2.51	9.34	2.55
	35.0	7.23	2.43	7.61	2.47	7.98	2.51	<b>8.17</b>	<b>2.53</b>	8.73	2.59	9.11	2.63
	40.0	6.85	2.59	7.22	2.63	7.60	2.67	7.79	2.69	8.35	2.75	8.73	2.79
	43.0	6.21	2.31	6.50	2.31	6.78	2.31	6.92	2.31	7.33	2.31	7.59	2.31
	46.0	5.20	1.80	5.42	1.80	5.64	1.80	5.75	1.80	6.07	1.80	6.27	1.80
2.0+2.5+2.5+3.5	22.0	8.51	2.25	8.90	2.30	9.29	2.34	9.48	2.36	10.07	2.43	10.46	2.47
	25.0	8.27	2.33	8.66	2.38	9.05	2.42	9.25	2.44	9.83	2.51	10.22	2.55
	32.0	7.72	2.54	8.11	2.58	8.50	2.63	8.70	2.65	9.28	2.71	9.67	2.76
	35.0	7.49	2.63	7.88	2.68	8.27	2.72	<b>8.46</b>	<b>2.74</b>	9.04	2.81	9.43	2.85
	40.0	7.09	2.80	7.45	2.81	7.79	2.81	7.95	2.81	8.44	2.81	8.76	2.81
	43.0	6.27	2.31	6.55	2.31	6.83	2.31	6.97	2.31	7.37	2.31	7.63	2.31
	46.0	5.27	1.80	5.49	1.80	5.70	1.80	5.81	1.80	6.12	1.80	6.32	1.80
2.5+2.5+2.5+2.5	22.0	8.44	2.20	8.83	2.25	9.21	2.29	9.41	2.31	9.99	2.37	10.37	2.42
	25.0	8.20	2.28	8.59	2.32	8.98	2.37	9.17	2.39	9.75	2.45	10.14	2.50
	32.0	7.66	2.48	8.04	2.53	8.43	2.57	8.62	2.59	9.20	2.65	9.59	2.70
	35.0	7.42	2.58	7.81	2.62	8.20	2.66	<b>8.39</b>	<b>2.68</b>	8.97	2.75	9.36	2.79
	40.0	7.03	2.74	7.42	2.78	7.78	2.81	7.95	2.81	8.45	2.81	8.77	2.81
	43.0	6.25	2.31	6.54	2.31	6.82	2.31	6.96	2.31	7.36	2.31	7.62	2.31
	46.0	5.25	1.80	5.47	1.80	5.69	1.80	5.80	1.80	6.11	1.80	6.31	1.80
2.5+2.5+2.5+3.5	22.0	8.78	2.42	9.18	2.47	9.59	2.52	9.79	2.54	10.39	2.61	10.79	2.66
	25.0	8.54	2.51	8.94	2.56	9.34	2.61	9.54	2.63	10.15	2.70	10.55	2.75
	32.0	7.97	2.73	8.37	2.78	8.77	2.83	8.97	2.85	9.58	2.92	9.98	2.97
	35.0	7.72	2.84	8.13	2.88	8.53	2.93	<b>8.73</b>	<b>2.95</b>	9.33	3.02	9.74	3.07
	40.0	7.16	2.81	7.51	2.81	7.84	2.81	8.00	2.81	8.49	2.81	8.80	2.81
	43.0	6.35	2.31	6.63	2.31	6.90	2.31	7.04	2.31	7.43	2.31	7.69	2.31
	46.0	5.35	1.80	5.57	1.80	5.78	1.80	5.89	1.80	6.19	1.80	6.39	1.80

3D056436

#### SYMBOLS

TC : Total cooling capacity (kW)  
PI : Power input (kW)

#### NOTES

- Capacities are based on following conditions  
Corresponding refrigerant piping length : 5m  
Level difference : 0m
- The bold line  is indicated the standard condition.
- The above is the value for connecting with the following indoor units.  
2.0, 2.5, 3.5, 5.0 kW class: wall mounted D series  
6.0 kW class: wall mounted F series

# 4 Capacity tables

## 4 - 2 Cooling capacity tables

4

### 4MXS68F2V1B

Cooling [50Hz 230V]

Combination (Capacity)	Outdoor air temp. °CDB	Indoor air temp.: °CWB											
		14°C		16°C		18°C		19°C		22°C		24°C	
		TC kW	PI kW	TC kW	PI kW	TC kW	PI kW	TC kW	PI kW	TC kW	PI kW	TC kW	PI kW
2.0+2.5	22.0	5.36	1.32	5.61	1.35	5.85	1.37	5.98	1.39	6.34	1.43	6.59	1.45
	25.0	5.21	1.37	5.46	1.40	5.70	1.42	5.83	1.44	6.19	1.47	6.44	1.50
	32.0	4.87	1.49	5.11	1.52	5.36	1.54	5.48	1.56	5.85	1.59	6.09	1.62
	35.0	4.72	1.55	4.96	1.57	5.21	1.60	<b>5.33</b>	<b>1.61</b>	5.70	1.65	5.94	1.68
	40.0	4.47	1.65	4.71	1.67	4.96	1.70	5.08	1.71	5.45	1.75	5.70	1.77
	43.0	4.32	1.71	4.56	1.73	4.81	1.78	4.93	1.77	5.30	1.81	5.55	1.84
	46.0	4.17	1.77	4.42	1.80	4.63	1.80	4.73	1.80	5.03	1.80	5.22	1.80
2.0+3.5	22.0	6.22	1.77	6.50	1.80	6.79	1.84	6.93	1.85	7.36	1.90	7.64	1.94
	25.0	6.04	1.83	6.33	1.86	6.61	1.90	6.76	1.92	7.18	1.97	7.47	2.00
	32.0	5.64	1.99	5.93	2.03	6.21	2.06	6.35	2.08	6.78	2.13	7.06	2.16
	35.0	5.47	2.07	5.75	2.10	6.04	2.14	<b>6.18</b>	<b>2.15</b>	6.61	2.20	6.89	2.24
	40.0	5.18	2.20	5.47	2.23	5.75	2.27	5.89	2.28	6.32	2.34	6.60	2.37
	43.0	5.01	2.28	5.28	2.31	5.53	2.31	5.65	2.31	6.01	2.31	6.25	2.31
	46.0	4.29	1.80	4.49	1.80	4.68	1.80	4.78	1.80	5.06	1.80	5.24	1.80
2.0+5.0	22.0	7.13	1.97	7.46	2.01	7.79	2.05	7.95	2.07	8.44	2.13	8.76	2.16
	25.0	6.93	2.04	7.26	2.08	7.59	2.12	7.75	2.14	8.24	2.20	8.57	2.24
	32.0	6.47	2.22	6.80	2.26	7.12	2.30	7.29	2.32	7.78	2.38	8.10	2.42
	35.0	6.27	2.31	6.60	2.34	6.93	2.38	<b>7.09</b>	<b>2.40</b>	7.58	2.46	7.91	2.50
	40.0	5.94	2.45	6.27	2.49	6.60	2.53	6.76	2.55	7.25	2.61	7.58	2.65
	43.0	5.53	2.31	5.80	2.31	6.06	2.31	6.19	2.31	6.57	2.31	6.81	2.31
	46.0	4.89	1.80	4.90	1.80	5.10	1.80	5.20	1.80	5.49	1.80	5.68	1.80
2.0+6.0	22.0	7.60	2.26	7.95	2.30	8.30	2.35	8.48	2.37	9.00	2.44	9.35	2.48
	25.0	7.39	2.34	7.74	2.39	8.09	2.43	8.26	2.45	8.79	2.52	9.13	2.56
	32.0	6.90	2.55	7.25	2.59	7.60	2.64	7.77	2.66	8.29	2.72	8.64	2.77
	35.0	6.69	2.64	7.04	2.69	7.39	2.73	<b>7.56</b>	<b>2.75</b>	8.08	2.82	8.43	2.86
	40.0	6.33	2.81	6.65	2.81	6.96	2.81	7.12	2.81	7.57	2.81	7.86	2.81
	43.0	5.89	2.31	5.95	2.31	6.20	2.31	6.32	2.31	6.69	2.31	6.93	2.31
	46.0	4.85	1.80	5.05	1.80	5.24	1.80	5.34	1.80	5.63	1.80	5.81	1.80
2.5+2.5	22.0	6.02	1.64	6.29	1.68	6.57	1.71	6.70	1.72	7.12	1.77	7.39	1.80
	25.0	5.85	1.70	6.12	1.73	6.40	1.77	6.54	1.78	6.95	1.83	7.23	1.86
	32.0	5.46	1.85	5.73	1.88	6.01	1.92	6.15	1.93	6.56	1.98	6.84	2.01
	35.0	5.29	1.92	5.57	1.95	5.84	1.99	<b>5.98</b>	<b>2.00</b>	6.39	2.05	6.67	2.08
	40.0	5.01	2.04	5.29	2.08	5.56	2.11	5.70	2.12	6.11	2.17	6.39	2.20
	43.0	4.85	2.12	5.12	2.15	5.40	2.19	5.53	2.20	5.95	2.25	6.22	2.28
	46.0	4.26	1.80	4.46	1.80	4.66	1.80	4.76	1.80	5.04	1.80	5.23	1.80
2.5+3.5	22.0	6.43	1.92	6.77	1.99	7.07	2.02	7.22	2.04	7.66	2.10	7.96	2.14
	25.0	6.30	2.02	6.59	2.06	6.89	2.09	7.04	2.11	7.48	2.17	7.78	2.21
	32.0	5.88	2.20	6.17	2.23	6.47	2.27	6.62	2.29	7.06	2.35	7.36	2.38
	35.0	5.70	2.28	5.99	2.32	6.29	2.35	<b>6.44</b>	<b>2.37</b>	6.89	2.43	7.18	2.47
	40.0	5.40	2.42	5.70	2.46	5.99	2.50	6.14	2.52	6.59	2.57	6.88	2.61
	43.0	5.07	2.31	5.32	2.31	5.57	2.31	5.69	2.31	6.04	2.31	6.26	2.31
	46.0	4.35	1.80	4.55	1.80	4.73	1.80	4.83	1.80	5.10	1.80	5.28	1.80

3D056441

### SYMBOLS

TC : Total cooling capacity (kW)  
PI : Power input (kW)

### NOTES

- Capacities are based on following conditions  
Corresponding refrigerant piping length : 5m  
Level difference : 0m
- The bold line  is indicated the standard condition.
- The above is the value for connecting with the following indoor units.  
2.0, 2.5, 3.5 kW class: wall mounted D series  
5.0, 6.0 kW class: wall mounted F series

# 4 Capacity tables

## 4 - 2 Cooling capacity tables

**4MXS68F2V1B**  
Cooling [50Hz 230V]

Combination (Capacity)	Outdoor air temp. °CDB	Indoor air temp.: °CWB											
		14°C		16°C		18°C		19°C		22°C		24°C	
		TC kW	PI kW	TC kW	PI kW	TC kW	PI kW	TC kW	PI kW	TC kW	PI kW	TC kW	PI kW
5.0+6.0	22.0	8.31	2.42	8.69	2.47	9.07	2.52	9.26	2.54	9.83	2.61	10.21	2.66
	25.0	8.08	2.51	8.46	2.56	8.84	2.61	9.03	2.63	9.60	2.70	9.98	2.75
	32.0	7.54	2.73	7.92	2.78	8.30	2.83	8.49	2.85	9.06	2.92	9.44	2.97
	35.0	7.31	2.84	7.69	2.88	8.07	2.93	<b>8.26</b>	<b>2.95</b>	8.83	3.02	9.21	3.07
	40.0	6.80	2.81	7.12	2.81	7.45	2.81	7.60	2.81	8.07	2.81	8.37	2.81
	43.0	6.07	2.31	6.34	2.31	6.60	2.31	6.73	2.31	7.11	2.31	7.35	2.31
	46.0	5.15	1.80	5.36	1.80	5.56	1.80	5.66	1.80	5.95	1.80	6.15	1.80
2.0+2.0+2.0	22.0	6.55	1.55	6.85	1.58	7.15	1.61	7.30	1.63	7.75	1.67	8.05	1.70
	25.0	6.37	1.61	6.67	1.64	6.97	1.67	7.12	1.68	7.57	1.73	7.87	1.76
	32.0	5.94	1.75	6.24	1.78	6.54	1.81	6.69	1.83	7.14	1.87	7.44	1.90
	35.0	5.76	1.82	6.06	1.85	6.36	1.88	<b>6.51</b>	<b>1.89</b>	6.96	1.94	7.26	1.97
	40.0	5.46	1.93	5.76	1.96	6.06	1.99	6.21	2.01	6.66	2.05	6.96	2.08
	43.0	5.28	2.01	5.58	2.04	5.88	2.07	6.02	2.08	6.47	2.13	6.77	2.16
	46.0	4.71	1.80	4.94	1.80	5.16	1.80	5.27	1.80	5.58	1.80	5.79	1.80
2.0+2.0+2.5	22.0	6.93	1.74	7.25	1.78	7.57	1.81	7.72	1.83	8.20	1.88	8.52	1.91
	25.0	6.74	1.80	7.06	1.84	7.37	1.87	7.53	1.89	8.01	1.94	8.33	1.97
	32.0	6.29	1.96	6.61	2.00	6.92	2.03	7.08	2.05	7.56	2.10	7.88	2.13
	35.0	6.10	2.04	6.41	2.07	6.73	2.11	<b>6.89</b>	<b>2.12</b>	7.37	2.17	7.68	2.21
	40.0	5.78	2.17	6.09	2.20	6.41	2.24	6.57	2.25	7.05	2.30	7.36	2.34
	43.0	5.58	2.25	5.90	2.28	6.20	2.31	6.34	2.31	6.73	2.31	6.99	2.31
	46.0	4.74	1.80	4.96	1.80	5.17	1.80	5.27	1.80	5.58	1.80	5.78	1.80
2.0+2.0+3.5	22.0	7.29	1.93	7.63	1.97	7.96	2.01	8.13	2.03	8.63	2.08	8.96	2.12
	25.0	7.09	2.00	7.42	2.04	7.76	2.08	7.93	2.09	8.43	2.15	8.76	2.19
	32.0	6.62	2.18	6.95	2.21	7.29	2.25	7.45	2.27	7.95	2.33	8.29	2.36
	35.0	6.41	2.26	6.75	2.30	7.08	2.33	<b>7.25</b>	<b>2.35</b>	7.75	2.41	8.09	2.45
	40.0	6.08	2.40	6.41	2.44	6.75	2.48	6.91	2.50	7.41	2.55	7.75	2.59
	43.0	5.69	2.31	5.97	2.31	6.24	2.31	6.37	2.31	6.75	2.31	7.01	2.31
	46.0	4.80	1.80	5.01	1.80	5.22	1.80	5.32	1.80	5.63	1.80	5.82	1.80
2.0+2.0+5.0	22.0	7.92	2.05	8.28	2.09	8.64	2.13	8.82	2.15	9.37	2.21	9.73	2.25
	25.0	7.70	2.12	8.06	2.16	8.42	2.20	8.60	2.22	9.15	2.28	9.51	2.32
	32.0	7.18	2.31	7.55	2.35	7.91	2.39	8.09	2.41	8.63	2.47	9.00	2.51
	35.0	6.96	2.39	7.33	2.43	7.69	2.47	<b>7.87</b>	<b>2.49</b>	8.41	2.55	8.78	2.59
	40.0	6.60	2.55	6.96	2.59	7.32	2.63	7.50	2.65	8.05	2.71	8.41	2.75
	43.0	6.03	2.31	6.31	2.31	6.59	2.31	6.73	2.31	7.13	2.31	7.38	2.31
	46.0	5.06	1.80	5.28	1.80	5.50	1.80	5.60	1.80	5.91	1.80	6.12	1.80
2.0+2.0+6.0	22.0	8.16	2.17	8.53	2.21	8.91	2.25	9.09	2.28	9.65	2.34	10.03	2.38
	25.0	7.93	2.25	8.30	2.29	8.68	2.33	8.87	2.35	9.43	2.42	9.80	2.46
	32.0	7.40	2.45	7.78	2.49	8.15	2.53	8.34	2.55	8.90	2.61	9.27	2.66
	35.0	7.18	2.54	7.55	2.58	7.92	2.62	<b>8.11</b>	<b>2.64</b>	8.67	2.71	9.04	2.75
	40.0	6.80	2.70	7.17	2.74	7.55	2.78	7.73	2.80	8.22	2.81	8.53	2.81
	43.0	6.09	2.31	6.37	2.31	6.65	2.31	6.78	2.31	7.18	2.31	7.43	2.31
	46.0	5.13	1.80	5.35	1.80	5.56	1.80	5.66	1.80	5.97	1.80	6.17	1.80

3D056442

### SYMBOLS

TC : Total cooling capacity (kW)  
PI : Power input (kW)

### NOTES

- Capacities are based on following conditions  
Corresponding refrigerant piping length : 5m  
Level difference : 0m
- The bold line  is indicated the standard condition.
- The above is the value for connecting with the following indoor units.  
2.0, 2.5, 3.5 kW class: wall mounted D series  
5.0, 6.0 kW class: wall mounted F series

# 4 Capacity tables

## 4 - 2 Cooling capacity tables

4

### 4MXS68F2V1B

Cooling [50Hz 230V]

Combination (Capacity)	Outdoor air temp. °CDB	Indoor air temp.: °CWB											
		14°C		16°C		18°C		19°C		22°C		24°C	
		TC kW	PI kW	TC kW	PI kW	TC kW	PI kW	TC kW	PI kW	TC kW	PI kW	TC kW	PI kW
2.5+2.5+2.5	22.0	7.42	2.01	7.78	2.05	8.10	2.09	8.27	2.11	8.78	2.17	9.12	2.21
	25.0	7.22	2.09	7.56	2.12	7.90	2.16	8.07	2.18	8.58	2.24	8.92	2.28
	32.0	6.74	2.27	7.08	2.31	7.42	2.35	7.59	2.37	8.10	2.43	8.44	2.47
	35.0	6.53	2.35	6.87	2.39	7.21	2.43	<b>7.38</b>	<b>2.45</b>	7.89	2.51	8.23	2.55
	40.0	6.19	2.51	6.53	2.54	6.87	2.58	7.04	2.60	7.55	2.66	7.89	2.70
	43.0	5.71	2.31	5.98	2.31	6.25	2.31	6.38	2.31	6.76	2.31	7.01	2.31
	46.0	4.83	1.80	5.04	1.80	5.24	1.80	5.34	1.80	5.64	1.80	5.84	1.80
2.5+2.5+3.5	22.0	7.83	2.26	8.18	2.30	8.54	2.35	8.72	2.37	9.26	2.44	9.62	2.48
	25.0	7.61	2.34	7.97	2.39	8.33	2.43	8.50	2.45	9.04	2.52	9.40	2.56
	32.0	7.10	2.55	7.46	2.59	7.82	2.64	8.00	2.66	8.54	2.72	8.89	2.77
	35.0	6.88	2.64	7.24	2.69	7.60	2.73	<b>7.78</b>	<b>2.75</b>	8.32	2.82	8.68	2.86
	40.0	6.52	2.81	6.84	2.81	7.16	2.81	7.32	2.81	7.78	2.81	8.08	2.81
	43.0	5.83	2.31	6.09	2.31	6.35	2.31	6.48	2.31	6.85	2.31	7.10	2.31
	46.0	4.95	1.80	5.15	1.80	5.36	1.80	5.46	1.80	5.75	1.80	5.94	1.80
2.5+2.5+5.0	22.0	8.33	2.29	8.71	2.34	9.09	2.38	9.28	2.40	9.85	2.47	10.24	2.52
	25.0	8.10	2.38	8.48	2.42	8.86	2.46	9.05	2.49	9.62	2.55	10.00	2.60
	32.0	7.56	2.58	7.94	2.63	8.32	2.67	8.51	2.70	9.08	2.76	9.47	2.81
	35.0	7.33	2.68	7.71	2.73	8.09	2.77	<b>8.28</b>	<b>2.79</b>	8.85	2.86	9.23	2.90
	40.0	6.91	2.81	7.25	2.81	7.58	2.81	7.74	2.81	8.22	2.81	8.53	2.81
	43.0	6.13	2.31	6.41	2.31	6.68	2.31	6.81	2.31	7.20	2.31	7.45	2.31
	46.0	5.17	1.80	5.33	1.80	5.60	1.80	5.70	1.80	6.00	1.80	6.20	1.80
2.5+2.5+6.0	22.0	8.62	2.47	9.02	2.51	9.41	2.56	9.61	2.59	10.20	2.66	10.59	2.71
	25.0	8.38	2.55	8.78	2.60	9.17	2.65	9.37	2.67	9.96	2.75	10.36	2.79
	32.0	7.82	2.78	8.22	2.83	8.61	2.87	8.81	2.90	9.40	2.97	9.80	3.02
	35.0	7.58	2.88	7.98	2.93	8.37	2.98	<b>8.57</b>	<b>3.00</b>	9.16	3.08	9.56	3.12
	40.0	7.01	2.81	7.35	2.81	7.67	2.81	7.84	2.81	8.31	2.81	8.61	2.81
	43.0	6.24	2.31	6.51	2.31	6.78	2.31	6.91	2.31	7.30	2.31	7.55	2.31
	46.0	5.28	1.80	5.49	1.80	5.70	1.80	5.80	1.80	6.10	1.80	6.30	1.80
2.5+3.5+3.5	22.0	8.19	2.51	8.56	2.56	8.94	2.61	9.13	2.64	9.69	2.71	10.06	2.76
	25.0	7.96	2.61	8.34	2.65	8.71	2.70	8.90	2.73	9.46	2.80	9.84	2.85
	32.0	7.43	2.83	7.80	2.88	8.18	2.93	8.37	2.96	8.93	3.03	9.30	3.08
	35.0	7.20	2.94	7.58	2.99	7.95	3.04	<b>8.14</b>	<b>3.06</b>	8.70	3.14	9.08	3.18
	40.0	6.66	2.81	6.98	2.81	7.29	2.81	7.45	2.81	7.90	2.81	8.19	2.81
	43.0	5.98	2.31	6.24	2.31	6.50	2.31	6.62	2.31	6.99	2.31	7.23	2.31
	46.0	5.10	1.80	5.30	1.80	5.50	1.80	5.60	1.80	5.88	1.80	6.07	1.80
2.5+3.5+5.0	22.0	8.80	2.47	9.19	2.51	9.59	2.56	9.79	2.59	10.38	2.66	10.77	2.71
	25.0	8.56	2.55	8.96	2.60	9.35	2.65	9.55	2.67	10.14	2.75	10.53	2.79
	32.0	7.80	2.78	8.20	2.83	8.59	2.87	8.79	2.90	9.38	2.97	9.77	3.02
	35.0	7.57	2.88	7.96	2.93	8.35	2.98	<b>8.55</b>	<b>3.00</b>	9.14	3.08	9.53	3.12
	40.0	7.00	2.81	7.33	2.81	7.66	2.81	7.82	2.81	8.29	2.81	8.60	2.81
	43.0	6.23	2.31	6.50	2.31	6.77	2.31	6.90	2.31	7.29	2.31	7.54	2.31
	46.0	5.27	1.80	5.48	1.80	5.69	1.80	5.79	1.80	6.09	1.80	6.29	1.80

3D056443

### SYMBOLS

TC : Total cooling capacity (kW)  
PI : Power input (kW)

### NOTES

- Capacities are based on following conditions  
Corresponding refrigerant piping length : 5m  
Level difference : 0m
- The bold line  is indicated the standard condition.
- The above is the value for connecting with the following indoor units.  
2.0, 2.5, 3.5 kW class: wall mounted D series  
5.0, 6.0 kW class: wall mounted F series

## 4 Capacity tables

### 4 - 2 Cooling capacity tables

4MXS68F2V1B Cooling [50Hz 230V]													
Combination (Capacity)	Outdoor air temp. °CDB	Indoor air temp.: °CWB											
		14°C		16°C		18°C		19°C		22°C		24°C	
		TC kW	PI kW	TC kW	PI kW	TC kW	PI kW	TC kW	PI kW	TC kW	PI kW	TC kW	PI kW
2.0+2.0+2.5+3.5	22.0	8.37	2.16	8.75	2.20	9.14	2.25	9.33	2.27	9.90	2.33	10.29	2.37
	25.0	8.14	2.24	8.52	2.28	8.90	2.32	9.09	2.34	9.67	2.41	10.05	2.45
	32.0	7.59	2.44	7.98	2.48	8.36	2.52	8.55	2.54	9.13	2.60	9.51	2.65
	35.0	7.36	2.53	7.75	2.57	8.13	2.61	<b>8.32</b>	<b>2.63</b>	8.89	2.70	9.28	2.74
	40.0	6.97	2.69	7.36	2.73	7.74	2.77	7.93	2.79	8.44	2.81	8.76	2.81
	43.0	6.24	2.31	6.53	2.31	6.81	2.31	6.94	2.31	7.35	2.31	7.61	2.31
	46.0	5.23	1.80	5.46	1.80	5.67	1.80	5.78	1.80	6.10	1.80	6.30	1.80
2.0+2.0+3.5+3.5	22.0	8.66	2.33	9.06	2.38	9.45	2.42	9.65	2.45	10.25	2.52	10.64	2.56
	25.0	8.42	2.42	8.82	2.46	9.21	2.51	9.41	2.53	10.01	2.60	10.40	2.65
	32.0	7.86	2.63	8.26	2.68	8.65	2.72	8.85	2.74	9.45	2.81	9.84	2.86
	35.0	7.62	2.73	8.01	2.77	8.41	2.82	<b>8.61</b>	<b>2.84</b>	9.21	2.91	9.60	2.96
	40.0	7.14	2.81	7.49	2.81	7.82	2.81	7.99	2.81	8.48	2.81	8.79	2.81
	43.0	6.32	2.31	6.60	2.31	6.87	2.31	7.01	2.31	7.41	2.31	7.67	2.31
	46.0	5.32	1.80	5.53	1.80	5.75	1.80	5.85	1.80	6.16	1.80	6.36	1.80
2.0+2.5+2.5+2.5	22.0	8.22	2.08	8.59	2.12	8.97	2.16	9.16	2.18	9.72	2.24	10.10	2.28
	25.0	7.99	2.15	8.37	2.19	8.74	2.23	8.93	2.26	9.50	2.32	9.87	2.36
	32.0	7.46	2.34	7.83	2.38	8.21	2.42	8.40	2.44	8.96	2.51	9.34	2.55
	35.0	7.23	2.43	7.61	2.47	7.98	2.51	<b>8.17</b>	<b>2.53</b>	8.73	2.59	9.11	2.63
	40.0	6.85	2.59	7.22	2.63	7.60	2.67	7.79	2.69	8.35	2.75	8.73	2.79
	43.0	6.21	2.31	6.50	2.31	6.78	2.31	6.92	2.31	7.33	2.31	7.59	2.31
	46.0	5.20	1.80	5.42	1.80	5.64	1.80	5.75	1.80	6.07	1.80	6.27	1.80
2.0+2.5+2.5+3.5	22.0	8.51	2.25	8.90	2.30	9.29	2.34	9.48	2.36	10.07	2.43	10.46	2.47
	25.0	8.27	2.33	8.66	2.38	9.05	2.42	9.25	2.44	9.83	2.51	10.22	2.55
	32.0	7.72	2.54	8.11	2.58	8.50	2.63	8.70	2.65	9.28	2.71	9.67	2.76
	35.0	7.49	2.63	7.88	2.68	8.27	2.72	<b>8.46</b>	<b>2.74</b>	9.04	2.81	9.43	2.85
	40.0	7.09	2.80	7.45	2.81	7.79	2.81	7.95	2.81	8.44	2.81	8.76	2.81
	43.0	6.27	2.31	6.55	2.31	6.83	2.31	6.97	2.31	7.37	2.31	7.63	2.31
	46.0	5.27	1.80	5.49	1.80	5.70	1.80	5.81	1.80	6.12	1.80	6.32	1.80
2.5+2.5+2.5+2.5	22.0	8.44	2.20	8.83	2.25	9.21	2.29	9.41	2.31	9.99	2.37	10.37	2.42
	25.0	8.20	2.28	8.59	2.32	8.98	2.37	9.17	2.39	9.75	2.45	10.14	2.50
	32.0	7.66	2.48	8.04	2.53	8.43	2.57	8.62	2.59	9.20	2.65	9.59	2.70
	35.0	7.42	2.58	7.81	2.62	8.20	2.66	<b>8.39</b>	<b>2.68</b>	8.97	2.75	9.36	2.79
	40.0	7.03	2.74	7.42	2.78	7.79	2.81	7.95	2.81	8.45	2.81	8.77	2.81
	43.0	6.25	2.31	6.54	2.31	6.82	2.31	6.96	2.31	7.36	2.31	7.62	2.31
	46.0	5.25	1.80	5.47	1.80	5.69	1.80	5.80	1.80	6.11	1.80	6.31	1.80
2.5+2.5+2.5+3.5	22.0	8.78	2.42	9.18	2.47	9.59	2.52	9.79	2.54	10.39	2.61	10.79	2.66
	25.0	8.54	2.51	8.94	2.56	9.34	2.61	9.54	2.63	10.15	2.70	10.55	2.75
	32.0	7.97	2.73	8.37	2.78	8.77	2.83	8.97	2.85	9.58	2.92	9.98	2.97
	35.0	7.72	2.84	8.13	2.88	8.53	2.93	<b>8.73</b>	<b>2.95</b>	9.33	3.02	9.74	3.07
	40.0	7.16	2.81	7.51	2.81	7.84	2.81	8.00	2.81	8.49	2.81	8.80	2.81
	43.0	6.35	2.31	6.63	2.31	6.90	2.31	7.04	2.31	7.43	2.31	7.69	2.31
	46.0	5.35	1.80	5.57	1.80	5.78	1.80	5.89	1.80	6.19	1.80	6.39	1.80

3D056444

#### SYMBOLS

TC : Total cooling capacity (kW)  
PI : Power input (kW)

#### NOTES

- Capacities are based on following conditions  
Corresponding refrigerant piping length : 5m  
Level difference : 0m
- The bold line  is indicated the standard condition.
- The above is the value for connecting with the following indoor units.  
2.0, 2.5, 3.5 kW class: wall mounted D series  
5.0, 6.0 kW class: wall mounted F series



## 4 Capacity tables

### 4 - 3 Heating capacity tables

2MXS40FV1B													
Heating [50Hz 230V]													
Combination (Capacity)	Outdoor air temp. °CDB	Indoor air temp.: °CWB											
		14°C		16°C		18°C		19°C		22°C		24°C	
		TC kW	PI kW	TC kW	PI kW	TC kW	PI kW	TC kW	PI kW	TC kW	PI kW	TC kW	PI kW
2.5+2.5	-10.0	3.13	1.02	3.07	1.03	3.00	1.04	2.97	1.05	2.94	1.05	2.87	1.06
	-7.0	3.45	1.05	3.39	1.06	3.32	1.07	3.29	1.08	3.26	1.08	3.19	1.09
	-5.0	3.66	1.07	3.60	1.08	3.53	1.09	3.50	1.10	3.47	1.10	3.40	1.11
	-2.0	3.98	1.10	3.92	1.11	3.85	1.12	3.82	1.13	3.79	1.13	3.72	1.14
	0.0	4.19	1.12	4.13	1.13	4.06	1.14	4.03	1.15	4.00	1.15	3.93	1.16
	1.0	4.30	1.13	4.23	1.14	4.17	1.15	4.14	1.16	4.10	1.16	4.04	1.17
	3.0	4.51	1.15	4.45	1.16	4.38	1.17	4.35	1.18	4.32	1.18	4.25	1.19
	6.0	4.83	1.18	4.76	1.19	4.70	1.20	4.67	1.21	4.64	1.21	4.57	1.22
	8.0	5.04	1.20	4.98	1.21	4.91	1.22	4.88	1.23	4.85	1.23	4.78	1.24
	10.0	5.25	1.22	5.19	1.23	5.12	1.24	5.09	1.24	5.06	1.25	4.99	1.26
	12.0	5.47	1.24	5.40	1.25	5.34	1.26	5.30	1.26	5.27	1.27	5.21	1.28
	15.0	5.79	1.27	5.72	1.28	5.66	1.29	5.62	1.29	5.59	1.30	5.53	1.31
	18.0	5.17	1.07	5.09	1.07	5.00	1.07	4.96	1.07	4.91	1.07	4.83	1.07
2.5+3.5	-10.0	3.13	1.00	3.07	1.01	3.00	1.02	2.97	1.03	2.94	1.04	2.87	1.05
	-7.0	3.45	1.03	3.39	1.04	3.32	1.05	3.29	1.06	3.26	1.06	3.19	1.07
	-5.0	3.66	1.05	3.60	1.06	3.53	1.07	3.50	1.08	3.47	1.08	3.40	1.09
	-2.0	3.98	1.08	3.92	1.09	3.85	1.10	3.82	1.11	3.79	1.11	3.72	1.12
	0.0	4.19	1.10	4.13	1.11	4.06	1.12	4.03	1.13	4.00	1.13	3.93	1.14
	1.0	4.30	1.11	4.23	1.12	4.17	1.13	4.14	1.14	4.10	1.14	4.04	1.15
	3.0	4.51	1.13	4.45	1.14	4.38	1.15	4.35	1.16	4.32	1.16	4.25	1.17
	6.0	4.83	1.16	4.76	1.17	4.70	1.18	4.67	1.19	4.64	1.19	4.57	1.20
	8.0	5.04	1.18	4.98	1.19	4.91	1.20	4.88	1.20	4.85	1.21	4.78	1.22
	10.0	5.25	1.20	5.19	1.21	5.12	1.22	5.09	1.22	5.06	1.23	4.99	1.24
	12.0	5.47	1.22	5.40	1.23	5.34	1.24	5.30	1.24	5.27	1.25	5.21	1.26
	15.0	5.79	1.25	5.72	1.26	5.66	1.27	5.62	1.27	5.59	1.28	5.53	1.29
	18.0	5.25	1.07	5.16	1.07	5.07	1.07	5.02	1.07	4.98	1.07	4.90	1.07

3D055831

#### SYMBOLS

TC : Total cooling capacity (kW)  
PI : Power input (kW)

#### NOTES

- Capacities are based on following conditions  
Corresponding refrigerant piping length : 5.0m  
Level difference : 0m
- The bold line **□** is indicated the standard condition.  
The above is the value for connecting with the following indoor units.  
2.0, 2.5, 3.5kW class; wall mounted D, E (NW-S) series.

## 4 Capacity tables

### 4 - 3 Heating capacity tables

2MXS40FV1B													
Heating [50Hz 230V]													
Combination (Capacity)	Outdoor air temp. °CDB	Indoor air temp.: °CWB											
		14°C		16°C		18°C		19°C		22°C		24°C	
		TC kW	PI kW	TC kW	PI kW	TC kW	PI kW	TC kW	PI kW	TC kW	PI kW	TC kW	PI kW
2.5+2.5	-10.0	3.13	1.09	3.07	1.10	3.00	1.11	2.97	1.12	2.94	1.12	2.87	1.13
	-7.0	3.45	1.12	3.39	1.13	3.32	1.14	3.29	1.15	3.26	1.15	3.19	1.17
	-5.0	3.66	1.14	3.60	1.15	3.53	1.16	3.50	1.17	3.47	1.18	3.40	1.19
	-2.0	3.98	1.17	3.92	1.18	3.85	1.20	3.82	1.20	3.79	1.21	3.72	1.22
	0.0	4.19	1.19	4.13	1.21	4.06	1.22	4.03	1.22	4.00	1.23	3.93	1.24
	1.0	4.30	1.20	4.23	1.22	4.17	1.23	4.14	1.23	4.10	1.24	4.04	1.25
	3.0	4.51	1.23	4.45	1.24	4.38	1.25	4.35	1.25	4.32	1.26	4.25	1.27
	6.0	4.83	1.26	4.76	1.27	<b>4.70</b>	<b>1.28</b>	4.67	1.29	4.64	1.29	4.57	1.30
	8.0	5.04	1.28	4.98	1.29	4.91	1.30	4.88	1.31	4.85	1.31	4.78	1.32
	10.0	5.25	1.30	5.19	1.31	5.12	1.32	5.09	1.33	5.06	1.33	4.99	1.35
	12.0	5.47	1.32	5.40	1.33	5.34	1.34	5.30	1.35	5.27	1.35	5.21	1.37
	15.0	5.79	1.35	5.72	1.36	5.66	1.37	5.62	1.38	5.59	1.39	5.53	1.40
	18.0	4.91	1.07	4.83	1.07	4.75	1.07	4.71	1.07	4.67	1.07	4.59	1.07
	2.5+3.5	-10.0	3.13	1.07	3.07	1.08	3.00	1.09	2.97	1.10	2.94	1.11	2.87
-7.0		3.45	1.10	3.39	1.11	3.32	1.13	3.29	1.13	3.26	1.14	3.19	1.15
-5.0		3.66	1.12	3.60	1.13	3.53	1.15	3.50	1.15	3.47	1.16	3.40	1.17
-2.0		3.98	1.15	3.92	1.17	3.85	1.18	3.82	1.18	3.79	1.19	3.72	1.20
0.0		4.19	1.18	4.13	1.19	4.06	1.20	4.03	1.20	4.00	1.21	3.93	1.22
1.0		4.30	1.19	4.23	1.20	4.17	1.21	4.14	1.21	4.10	1.22	4.04	1.23
3.0		4.51	1.21	4.45	1.22	4.38	1.23	4.35	1.23	4.32	1.24	4.25	1.25
6.0		4.83	1.24	4.76	1.25	<b>4.70</b>	<b>1.26</b>	4.67	1.27	4.64	1.27	4.57	1.28
8.0		5.04	1.26	4.98	1.27	4.91	1.28	4.88	1.29	4.85	1.29	4.78	1.30
10.0		5.25	1.28	5.19	1.29	5.12	1.30	5.09	1.31	5.06	1.31	4.99	1.32
12.0		5.47	1.30	5.40	1.31	5.34	1.32	5.30	1.33	5.27	1.33	5.21	1.34
15.0		5.79	1.33	5.72	1.34	5.66	1.35	5.62	1.36	5.59	1.36	5.53	1.38
18.0		4.97	1.07	4.89	1.07	4.81	1.07	4.77	1.07	4.73	1.07	4.65	1.07

3D055835

#### SYMBOLS

TC : Total cooling capacity (kW)  
PI : Power input (kW)

#### NOTES

- Capacities are based on following conditions  
Corresponding refrigerant piping length : 5.0m  
Level difference : 0m
- The bold line **□** is indicated the standard condition.  
The above is the value for connecting with the following indoor units.  
2.0, 2.5, 3.5kW class; wall mounted C, D (GMS5) series.

# 4 Capacity tables

## 4 - 3 Heating capacity tables

4

**2MXS40FV1B**  
Heating [50Hz 230V]

Combination (Capacity)	Outdoor air temp. °CDB	Indoor air temp.: °CWB											
		16°C		18°C		20°C		21°C		22°C		24°C	
		TC kW	PI kW	TC kW	PI kW	TC kW	PI kW	TC kW	PI kW	TC kW	PI kW	TC kW	PI kW
2.0	-10.0	2.47	1.08	2.41	1.09	2.36	1.10	2.34	1.11	2.31	1.11	2.26	1.13
	-7.0	2.72	1.11	2.66	1.12	2.61	1.13	2.59	1.14	2.56	1.15	2.51	1.16
	-5.0	2.88	1.13	2.83	1.14	2.78	1.15	2.76	1.16	2.73	1.17	2.68	1.18
	-2.0	3.13	1.16	3.08	1.17	3.03	1.19	3.01	1.19	2.98	1.20	2.93	1.21
	0.0	3.30	1.18	3.25	1.20	3.20	1.21	3.17	1.21	3.15	1.22	3.10	1.23
	1.0	3.38	1.19	3.33	1.21	3.28	1.22	3.26	1.22	3.23	1.23	3.18	1.24
	3.0	3.55	1.22	3.50	1.23	3.45	1.24	3.42	1.24	3.40	1.25	3.35	1.26
	6.0	3.80	1.25	3.75	1.26	<b>3.70</b>	<b>1.27</b>	3.67	1.28	3.65	1.28	3.60	1.29
	8.0	3.97	1.27	3.92	1.28	3.87	1.29	3.84	1.30	3.82	1.30	3.76	1.31
	10.0	4.14	1.29	4.09	1.30	4.03	1.31	4.01	1.32	3.98	1.32	3.93	1.33
	12.0	4.30	1.31	4.25	1.32	4.20	1.33	4.18	1.34	4.15	1.34	4.10	1.36
	15.0	4.55	1.34	4.50	1.35	4.45	1.36	4.43	1.37	4.40	1.38	4.35	1.39
	18.0	3.93	1.07	3.87	1.07	3.80	1.07	3.77	1.07	3.74	1.07	3.68	1.07
2.5	-10.0	2.73	1.29	2.68	1.31	2.62	1.32	2.59	1.33	2.56	1.33	2.51	1.35
	-7.0	3.01	1.33	2.95	1.34	2.90	1.36	2.87	1.36	2.84	1.37	2.78	1.38
	-5.0	3.19	1.35	3.14	1.37	3.08	1.38	3.05	1.39	3.02	1.40	2.97	1.41
	-2.0	3.47	1.39	3.42	1.41	3.36	1.42	3.33	1.43	3.30	1.43	3.25	1.45
	0.0	3.66	1.42	3.60	1.43	3.54	1.44	3.52	1.45	3.49	1.46	3.43	1.47
	1.0	3.75	1.43	3.69	1.44	3.64	1.46	3.61	1.46	3.58	1.47	3.52	1.48
	3.0	3.94	1.46	3.88	1.47	3.82	1.48	3.79	1.49	3.77	1.50	3.71	1.51
	6.0	4.21	1.49	4.16	1.51	<b>4.10</b>	<b>1.52</b>	4.07	1.53	4.04	1.53	3.99	1.55
	8.0	4.40	1.52	4.34	1.53	4.29	1.55	4.26	1.55	4.23	1.56	4.17	1.57
	10.0	4.58	1.54	4.53	1.56	4.47	1.57	4.44	1.58	4.41	1.58	4.36	1.60
	12.0	4.77	1.57	4.71	1.58	4.66	1.60	4.63	1.60	4.60	1.61	4.54	1.62
	15.0	4.85	1.52	4.77	1.52	4.69	1.52	4.65	1.52	4.61	1.52	4.54	1.52
	18.0	3.81	1.07	3.76	1.07	3.70	1.07	3.67	1.07	3.64	1.07	3.59	1.07
3.5	-10.0	2.93	1.47	2.87	1.49	2.81	1.50	2.78	1.51	2.75	1.52	2.69	1.53
	-7.0	3.23	1.51	3.17	1.53	3.11	1.54	3.08	1.55	3.05	1.56	2.99	1.58
	-5.0	3.43	1.54	3.37	1.56	3.31	1.57	3.28	1.58	3.25	1.59	3.19	1.60
	-2.0	3.73	1.58	3.67	1.60	3.61	1.62	3.57	1.62	3.54	1.63	3.48	1.65
	0.0	3.93	1.61	3.86	1.63	3.80	1.64	3.77	1.65	3.74	1.66	3.68	1.68
	1.0	4.02	1.63	3.96	1.64	3.90	1.66	3.87	1.67	3.84	1.67	3.78	1.69
	3.0	4.22	1.66	4.16	1.67	4.10	1.69	4.07	1.70	4.04	1.70	3.98	1.72
	6.0	4.52	1.70	4.46	1.71	<b>4.40</b>	<b>1.73</b>	4.37	1.74	4.34	1.75	4.28	1.76
	8.0	4.72	1.73	4.66	1.74	4.60	1.76	4.57	1.77	4.54	1.77	4.48	1.79
	10.0	4.92	1.76	4.86	1.77	4.80	1.79	4.77	1.79	4.74	1.80	4.68	1.82
	12.0	5.12	1.78	5.06	1.80	5.00	1.82	4.97	1.82	4.94	1.83	4.74	1.76
	15.0	4.77	1.52	4.70	1.52	4.62	1.52	4.59	1.52	4.55	1.52	4.48	1.52
	18.0	3.75	1.07	3.70	1.07	3.65	1.07	3.62	1.07	3.60	1.07	3.55	1.07

3D055830#A

### SYMBOLS

TC : Total cooling capacity (kW)  
PI : Power input (kW)

### NOTES

- Capacities are based on following conditions  
Corresponding refrigerant piping length : 5.0m  
Level difference : 0m
- The bold line **□** is indicated the standard condition.  
The above is the value for connecting with the following indoor units.  
2.0, 2.5, 3.5kW class; wall mounted D, E (NW-S) series.

## 4 Capacity tables

### 4 - 3 Heating capacity tables

2MXS40FV1B													
Heating [50Hz 230V]													
Combination (Capacity)	Outdoor air temp. °CDB	Indoor air temp.: °CWB											
		16°C		18°C		20°C		21°C		22°C		24°C	
		TC kW	PI kW	TC kW	PI kW	TC kW	PI kW	TC kW	PI kW	TC kW	PI kW	TC kW	PI kW
2.0	-10.0	2.47	1.11	2.41	1.12	2.36	1.13	2.34	1.13	2.31	1.14	2.26	1.15
	-7.0	2.72	1.14	2.66	1.15	2.61	1.16	2.59	1.17	2.56	1.17	2.51	1.18
	-5.0	2.88	1.16	2.83	1.17	2.78	1.18	2.76	1.19	2.73	1.19	2.68	1.21
	-2.0	3.13	1.19	3.08	1.20	3.03	1.21	3.01	1.22	2.98	1.23	2.93	1.24
	0.0	3.30	1.21	3.25	1.22	3.20	1.24	3.17	1.24	3.15	1.25	3.10	1.26
	1.0	3.38	1.22	3.33	1.23	3.28	1.25	3.26	1.25	3.23	1.26	3.18	1.27
	3.0	3.55	1.24	3.50	1.26	3.45	1.27	3.42	1.27	3.40	1.28	3.35	1.29
	6.0	3.80	1.28	3.75	1.29	3.70	1.30	3.67	1.31	3.65	1.31	3.60	1.32
	8.0	3.97	1.30	3.92	1.31	3.87	1.32	3.84	1.33	3.82	1.33	3.76	1.34
	10.0	4.14	1.32	4.09	1.33	4.03	1.34	4.01	1.35	3.98	1.35	3.86	1.33
	12.0	4.30	1.34	4.25	1.35	4.20	1.36	4.18	1.37	4.10	1.35	3.86	1.27
	15.0	4.55	1.37	4.50	1.38	4.34	1.35	4.22	1.31	4.10	1.27	3.86	1.19
	18.0	3.86	1.07	3.80	1.07	3.74	1.07	3.71	1.07	3.68	1.07	3.62	1.07
2.5	-10.0	2.73	1.35	2.68	1.37	2.62	1.38	2.59	1.39	2.56	1.39	2.51	1.41
	-7.0	3.01	1.39	2.95	1.41	2.90	1.42	2.87	1.43	2.84	1.43	2.78	1.45
	-5.0	3.19	1.42	3.14	1.43	3.08	1.45	3.05	1.45	3.02	1.46	2.97	1.47
	-2.0	3.47	1.46	3.42	1.47	3.36	1.49	3.33	1.49	3.30	1.50	3.25	1.51
	0.0	3.66	1.48	3.60	1.50	3.54	1.51	3.52	1.52	3.49	1.53	3.43	1.54
	1.0	3.75	1.50	3.69	1.51	3.64	1.52	3.61	1.53	3.58	1.54	3.52	1.55
	3.0	3.94	1.52	3.88	1.54	3.82	1.55	3.79	1.56	3.77	1.57	3.71	1.58
	6.0	4.21	1.58	4.16	1.58	4.10	1.59	4.07	1.60	4.04	1.60	3.88	1.54
	8.0	4.40	1.59	4.34	1.60	4.29	1.62	4.22	1.60	4.10	1.55	3.86	1.45
	10.0	4.58	1.61	4.53	1.63	4.34	1.57	4.22	1.52	4.10	1.47	3.86	1.38
	12.0	4.77	1.64	4.59	1.58	4.34	1.49	4.22	1.45	4.10	1.40	3.86	1.31
	15.0	4.71	1.52	4.59	1.48	4.34	1.39	4.22	1.35	4.10	1.31	3.86	1.23
	18.0	3.71	1.07	3.65	1.07	3.60	1.07	3.57	1.07	3.55	1.07	3.50	1.07
3.5	-10.0	2.93	1.51	2.87	1.53	2.81	1.55	2.78	1.55	2.75	1.56	2.69	1.58
	-7.0	3.23	1.56	3.17	1.57	3.11	1.59	3.08	1.60	3.05	1.61	2.99	1.62
	-5.0	3.43	1.59	3.37	1.60	3.31	1.62	3.28	1.63	3.25	1.63	3.19	1.65
	-2.0	3.73	1.63	3.67	1.65	3.61	1.66	3.57	1.67	3.54	1.68	3.48	1.69
	0.0	3.93	1.66	3.86	1.68	3.80	1.69	3.77	1.70	3.74	1.71	3.68	1.72
	1.0	4.02	1.67	3.96	1.69	3.90	1.71	3.87	1.71	3.84	1.72	3.78	1.74
	3.0	4.22	1.70	4.16	1.72	4.10	1.74	4.07	1.74	4.04	1.75	3.98	1.77
	6.0	4.52	1.75	4.46	1.76	4.40	1.78	4.37	1.79	4.34	1.80	4.27	1.81
	8.0	4.72	1.78	4.66	1.79	4.60	1.81	4.57	1.82	4.54	1.83	4.27	1.70
	10.0	4.92	1.81	4.86	1.82	4.80	1.84	4.67	1.78	4.54	1.72	4.27	1.61
	12.0	5.12	1.84	5.06	1.85	4.80	1.75	4.67	1.69	4.54	1.64	4.27	1.53
	15.0	4.69	1.52	4.62	1.52	4.55	1.52	4.51	1.52	4.48	1.52	4.27	1.42
	18.0	3.69	1.07	3.64	1.07	3.59	1.07	3.57	1.07	3.54	1.07	3.50	1.07

3D055834#A

#### SYMBOLS

TC : Total cooling capacity (kW)  
PI : Power input (kW)

#### NOTES

- Capacities are based on following conditions  
Corresponding refrigerant piping length : 5.0m  
Level difference : 0m
- The bold line **□** is indicated the standard condition.  
The above is the value for connecting with the following indoor units.  
2.0, 2.5, 3.5kW class; wall mounted C, D (GMS5) series.

## 4 Capacity tables

### 4 - 3 Heating capacity tables

2MXS40FV1B Heating [50Hz 230V]													
Combination (Capacity)	Outdoor air temp. °CDB	Indoor air temp.: °CWB											
		16°C		18°C		20°C		21°C		22°C		24°C	
		TC kW	PI kW	TC kW	PI kW	TC kW	PI kW	TC kW	PI kW	TC kW	PI kW	TC kW	PI kW
2.0+2.0	-10.0	3.06	0.99	3.00	1.01	2.94	1.02	2.91	1.02	2.87	1.03	2.81	1.04
	-7.0	3.38	1.02	3.31	1.03	3.25	1.04	3.22	1.05	3.19	1.06	3.12	1.07
	-5.0	3.58	1.04	3.52	1.05	3.46	1.06	3.43	1.07	3.39	1.07	3.33	1.09
	-2.0	3.90	1.07	3.83	1.08	3.77	1.09	3.74	1.10	3.71	1.10	3.64	1.11
	0.0	4.10	1.09	4.04	1.10	3.98	1.11	3.94	1.12	3.91	1.12	3.85	1.13
	1.0	4.21	1.10	4.14	1.11	4.08	1.12	4.05	1.13	4.02	1.13	3.95	1.14
	3.0	4.42	1.12	4.35	1.13	4.29	1.14	4.26	1.15	4.22	1.15	4.16	1.16
	6.0	4.73	1.15	4.66	1.16	<b>4.60</b>	<b>1.17</b>	4.57	1.18	4.54	1.18	4.47	1.19
	8.0	4.93	1.17	4.87	1.18	4.81	1.19	4.78	1.19	4.74	1.20	4.68	1.21
	10.0	5.14	1.19	5.08	1.20	5.02	1.21	4.98	1.21	4.95	1.22	4.89	1.23
	12.0	5.35	1.21	5.29	1.22	5.22	1.23	5.19	1.23	5.16	1.24	5.10	1.25
	15.0	5.66	1.24	5.60	1.25	5.53	1.26	5.50	1.26	5.47	1.27	5.41	1.28
	18.0	5.17	1.07	5.09	1.07	5.00	1.07	4.95	1.07	4.91	1.07	4.83	1.07
2.0+2.5	-10.0	3.13	1.03	3.07	1.04	3.00	1.05	2.97	1.06	2.94	1.06	2.87	1.07
	-7.0	3.45	1.06	3.39	1.07	3.32	1.08	3.29	1.09	3.26	1.09	3.19	1.10
	-5.0	3.66	1.08	3.60	1.09	3.53	1.10	3.50	1.11	3.47	1.11	3.40	1.12
	-2.0	3.98	1.11	3.92	1.12	3.85	1.13	3.82	1.14	3.79	1.14	3.72	1.15
	0.0	4.19	1.13	4.13	1.14	4.06	1.15	4.03	1.16	4.00	1.16	3.93	1.17
	1.0	4.30	1.14	4.23	1.15	4.17	1.16	4.14	1.17	4.10	1.17	4.04	1.18
	3.0	4.51	1.16	4.45	1.17	4.38	1.18	4.35	1.19	4.32	1.19	4.25	1.20
	6.0	4.83	1.19	4.76	1.20	<b>4.70</b>	<b>1.21</b>	4.67	1.22	4.64	1.22	4.57	1.23
	8.0	5.04	1.21	4.98	1.22	4.91	1.23	4.88	1.24	4.85	1.24	4.78	1.25
	10.0	5.25	1.23	5.19	1.24	5.12	1.25	5.09	1.26	5.06	1.26	4.99	1.27
	12.0	5.47	1.25	5.40	1.26	5.34	1.27	5.30	1.28	5.27	1.28	5.21	1.29
	15.0	5.79	1.28	5.72	1.29	5.66	1.30	5.62	1.31	5.59	1.31	5.53	1.32
	18.0	5.14	1.07	5.05	1.07	4.97	1.07	4.92	1.07	4.88	1.07	4.80	1.07
2.0+3.5	-10.0	3.13	1.01	3.07	1.02	3.00	1.03	2.97	1.04	2.94	1.04	2.87	1.05
	-7.0	3.45	1.04	3.39	1.05	3.32	1.06	3.29	1.07	3.26	1.07	3.19	1.08
	-5.0	3.66	1.06	3.60	1.07	3.53	1.08	3.50	1.09	3.47	1.09	3.40	1.10
	-2.0	3.98	1.09	3.92	1.10	3.85	1.11	3.82	1.12	3.79	1.12	3.72	1.13
	0.0	4.19	1.11	4.13	1.12	4.06	1.13	4.03	1.14	4.00	1.14	3.93	1.15
	1.0	4.30	1.12	4.23	1.13	4.17	1.14	4.14	1.15	4.10	1.15	4.04	1.16
	3.0	4.51	1.14	4.45	1.15	4.38	1.16	4.35	1.17	4.32	1.17	4.25	1.18
	6.0	4.83	1.17	4.76	1.18	<b>4.70</b>	<b>1.19</b>	4.67	1.20	4.64	1.20	4.57	1.21
	8.0	5.04	1.19	4.98	1.20	4.91	1.21	4.88	1.21	4.85	1.22	4.78	1.23
	10.0	5.25	1.21	5.19	1.22	5.12	1.23	5.09	1.23	5.06	1.24	4.99	1.25
	12.0	5.47	1.23	5.40	1.24	5.34	1.25	5.30	1.25	5.27	1.26	5.21	1.27
	15.0	5.79	1.26	5.72	1.27	5.66	1.28	5.62	1.28	5.59	1.29	5.53	1.30
	18.0	5.21	1.07	5.12	1.07	5.03	1.07	4.99	1.07	4.95	1.07	4.86	1.07

3D055830#B

#### SYMBOLS

TC : Total cooling capacity (kW)  
PI : Power input (kW)

#### NOTES

- Capacities are based on following conditions  
Corresponding refrigerant piping length : 5.0m  
Level difference : 0m
- The bold line **□** is indicated the standard condition.  
The above is the value for connecting with the following indoor units.  
2.0, 2.5, 3.5kW class; wall mounted D, E (NW-S) series.

## 4 Capacity tables

### 4 - 3 Heating capacity tables

2MXS40FV1B Heating [50Hz 230V]													
Combination (Capacity)	Outdoor air temp. °CDB	Indoor air temp.: °CWB											
		16°C		18°C		20°C		21°C		22°C		24°C	
		TC kW	PI kW	TC kW	PI kW	TC kW	PI kW	TC kW	PI kW	TC kW	PI kW	TC kW	PI kW
<b>2.0+2.0</b>	-10.0	3.06	1.05	3.00	1.07	2.94	1.08	2.91	1.08	2.87	1.09	2.81	1.10
	-7.0	3.38	1.08	3.31	1.10	3.25	1.11	3.22	1.11	3.19	1.12	3.12	1.13
	-5.0	3.58	1.11	3.52	1.12	3.46	1.13	3.43	1.13	3.39	1.14	3.33	1.15
	-2.0	3.90	1.14	3.83	1.15	3.77	1.16	3.74	1.16	3.71	1.17	3.64	1.18
	0.0	4.10	1.16	4.04	1.17	3.98	1.18	3.94	1.18	3.91	1.19	3.85	1.20
	1.0	4.21	1.17	4.14	1.18	4.08	1.19	4.05	1.19	4.02	1.20	3.95	1.21
	3.0	4.42	1.19	4.35	1.20	4.29	1.21	4.26	1.21	4.22	1.22	4.16	1.23
	6.0	4.73	1.22	4.66	1.23	<b>4.60</b>	<b>1.24</b>	4.57	1.25	4.54	1.25	4.47	1.26
	8.0	4.93	1.24	4.87	1.25	4.81	1.26	4.78	1.27	4.74	1.27	4.68	1.28
	10.0	5.14	1.26	5.08	1.27	5.02	1.28	4.98	1.29	4.95	1.29	4.89	1.30
	12.0	5.35	1.28	5.29	1.29	5.22	1.30	5.19	1.31	5.16	1.31	5.10	1.32
	15.0	5.66	1.31	5.60	1.32	5.53	1.33	5.50	1.34	5.47	1.34	5.41	1.35
	18.0	4.93	1.07	4.85	1.07	4.77	1.07	4.73	1.07	4.69	1.07	4.61	1.07
	<b>2.0+2.5</b>	-10.0	3.13	1.10	3.07	1.11	3.00	1.12	2.97	1.13	2.94	1.13	2.87
-7.0		3.45	1.13	3.39	1.14	3.32	1.15	3.29	1.16	3.26	1.16	3.19	1.18
-5.0		3.66	1.15	3.60	1.16	3.53	1.17	3.50	1.18	3.47	1.18	3.40	1.20
-2.0		3.98	1.18	3.92	1.19	3.85	1.21	3.82	1.21	3.79	1.22	3.72	1.23
0.0		4.19	1.20	4.13	1.21	4.06	1.23	4.03	1.23	4.00	1.24	3.93	1.25
1.0		4.30	1.21	4.23	1.23	4.17	1.24	4.14	1.24	4.10	1.25	4.04	1.26
3.0		4.51	1.23	4.45	1.25	4.38	1.26	4.35	1.26	4.32	1.27	4.25	1.28
6.0		4.83	1.27	4.76	1.28	<b>4.70</b>	<b>1.29</b>	4.67	1.30	4.64	1.30	4.57	1.31
8.0		5.04	1.29	4.98	1.30	4.91	1.31	4.88	1.32	4.85	1.32	4.78	1.33
10.0		5.25	1.31	5.19	1.32	5.12	1.33	5.09	1.34	5.06	1.34	4.99	1.36
12.0		5.47	1.33	5.40	1.34	5.34	1.35	5.30	1.36	5.27	1.37	5.21	1.38
15.0		5.79	1.36	5.72	1.37	5.66	1.39	5.62	1.39	5.59	1.40	5.53	1.41
18.0		4.88	1.07	4.80	1.07	4.72	1.07	4.68	1.07	4.64	1.07	4.56	1.07
<b>2.0+3.5</b>		-10.0	3.13	1.08	3.07	1.09	3.00	1.10	2.97	1.11	2.94	1.11	2.87
	-7.0	3.45	1.11	3.39	1.12	3.32	1.13	3.29	1.14	3.26	1.15	3.19	1.16
	-5.0	3.66	1.13	3.60	1.14	3.53	1.15	3.50	1.16	3.47	1.17	3.40	1.18
	-2.0	3.98	1.16	3.92	1.17	3.85	1.19	3.82	1.19	3.79	1.20	3.72	1.21
	0.0	4.19	1.18	4.13	1.20	4.06	1.21	4.03	1.21	4.00	1.22	3.93	1.23
	1.0	4.30	1.19	4.23	1.21	4.17	1.22	4.14	1.22	4.10	1.23	4.04	1.24
	3.0	4.51	1.22	4.45	1.23	4.38	1.24	4.35	1.24	4.32	1.25	4.25	1.26
	6.0	4.83	1.25	4.76	1.26	<b>4.70</b>	<b>1.27</b>	4.67	1.28	4.64	1.28	4.57	1.29
	8.0	5.04	1.27	4.98	1.28	4.91	1.29	4.88	1.30	4.85	1.30	4.78	1.31
	10.0	5.25	1.29	5.19	1.30	5.12	1.31	5.09	1.32	5.06	1.32	4.99	1.33
	12.0	5.47	1.31	5.40	1.32	5.34	1.33	5.30	1.34	5.27	1.34	5.21	1.36
	15.0	5.79	1.34	5.72	1.35	5.66	1.36	5.62	1.37	5.59	1.38	5.53	1.39
	18.0	4.94	1.07	4.86	1.07	4.78	1.07	4.74	1.07	4.70	1.07	4.62	1.07

3D055834#B

#### SYMBOLS

TC : Total cooling capacity (kW)  
PI : Power input (kW)

#### NOTES

- Capacities are based on following conditions  
Corresponding refrigerant piping length : 5.0m  
Level difference : 0m
- The bold line **□** is indicated the standard condition.  
The above is the value for connecting with the following indoor units.  
2.0, 2.5, 3.5kW class; wall mounted C, D (GMS5) series.

## 4 Capacity tables

### 4 - 3 Heating capacity tables

#### 2MXS50FV1B

#### Heating [50Hz 230V]

Combination (Capacity)	Outdoor air temp. °CWB	Indoor air temp.: °CDB											
		14°C		16°C		18°C		19°C		22°C		24°C	
		TC kW	PI kW	TC kW	PI kW	TC kW	PI kW	TC kW	PI kW	TC kW	PI kW	TC kW	PI kW
<b>3.5+5.0</b>	-15.0	3.54	1.33	3.45	1.35	3.36	1.36	3.32	1.37	3.28	1.38	3.19	1.39
	-11.0	4.12	1.39	4.03	1.40	3.94	1.42	3.90	1.43	3.85	1.43	3.77	1.45
	-8.0	4.55	1.43	4.46	1.44	4.38	1.46	4.33	1.47	4.29	1.47	4.20	1.49
	-6.0	4.84	1.46	4.75	1.47	4.67	1.49	4.62	1.49	4.58	1.50	4.49	1.52
	-1.0	5.56	1.53	5.48	1.54	5.39	1.55	5.34	1.56	5.30	1.57	5.21	1.58
	1.0	5.85	1.55	5.77	1.57	5.68	1.58	5.63	1.59	5.59	1.60	5.50	1.61
	3.0	6.14	1.58	6.05	1.59	5.97	1.61	5.92	1.62	5.88	1.62	5.79	1.64
	6.0	6.58	1.62	6.49	1.64	<b>6.40</b>	<b>1.65</b>	6.36	1.66	6.31	1.66	6.22	1.68
	8.0	6.87	1.65	6.78	1.66	6.69	1.68	6.64	1.68	6.60	1.69	6.51	1.71
	10.0	7.15	1.67	7.07	1.69	6.98	1.70	6.93	1.71	6.89	1.72	6.80	1.73
	12.0	7.44	1.70	7.36	1.72	7.27	1.73	7.22	1.74	7.18	1.75	7.09	1.76
	15.0	7.88	1.74	7.79	1.76	7.70	1.77	7.66	1.78	7.61	1.79	7.52	1.80
	18.0	8.31	1.78	8.22	1.80	8.13	1.81	8.09	1.82	8.05	1.83	7.92	1.83

3D057676

#### SYMBOLS

TC : Total cooling capacity (kW)  
PI : Power input (kW)

#### NOTES

- Capacities are based on following conditions  
Corresponding refrigerant piping length : 5.0m  
Level difference : 0m
- The bold line **□** is indicated the standard condition.  
The above is the value for connecting with the following indoor units.  
2.0, 2.5, 3.5, 5.0kW class; wall mounted D, E (NW-S) series.

# 4 Capacity tables

## 4 - 3 Heating capacity tables

2MXS50FV1B													
Heating [50Hz 230V]													
Combination (Capacity)	Outdoor air temp. °CWB	Indoor air temp.: °CDB											
		14°C		16°C		18°C		19°C		22°C		24°C	
		TC kW	PI kW	TC kW	PI kW	TC kW	PI kW	TC kW	PI kW	TC kW	PI kW	TC kW	PI kW
2.0	-15.0	2.05	0.92	2.00	0.93	1.95	0.94	1.92	0.95	1.89	0.95	1.84	0.96
	-11.0	2.38	0.96	2.33	0.97	2.28	0.98	2.25	0.99	2.23	0.99	2.18	1.00
	-8.0	2.63	0.99	2.58	1.00	2.53	1.01	2.50	1.01	2.48	1.02	2.43	1.03
	-6.0	2.80	1.01	2.75	1.02	2.70	1.03	2.67	1.03	2.65	1.04	2.60	1.05
	-1.0	3.22	1.05	3.17	1.06	3.12	1.07	3.09	1.08	3.06	1.08	3.01	1.09
	1.0	3.38	1.07	3.33	1.08	3.28	1.09	3.26	1.10	3.23	1.10	3.18	1.11
	3.0	3.55	1.09	3.50	1.10	3.45	1.11	3.42	1.12	3.40	1.12	3.35	1.13
	6.0	3.80	1.12	3.75	1.13	<b>3.70</b>	<b>1.14</b>	3.67	1.15	3.65	1.15	3.60	1.16
	8.0	3.97	1.14	3.92	1.15	3.87	1.16	3.84	1.16	3.82	1.17	3.76	1.18
	10.0	4.14	1.16	4.09	1.17	4.03	1.18	4.01	1.18	3.98	1.19	3.93	1.20
	12.0	4.30	1.18	4.25	1.19	4.20	1.20	4.18	1.20	4.15	1.21	4.10	1.22
	15.0	4.55	1.20	4.50	1.21	4.45	1.22	4.43	1.23	4.40	1.23	4.35	1.25
	18.0	4.80	1.23	4.75	1.24	4.70	1.25	4.68	1.26	4.65	1.26	4.60	1.27
2.5	-15.0	2.27	1.08	2.21	1.09	2.16	1.10	2.13	1.11	2.10	1.11	2.04	1.12
	-11.0	2.64	1.12	2.58	1.13	2.53	1.14	2.50	1.15	2.47	1.16	2.41	1.17
	-8.0	2.92	1.15	2.86	1.16	2.80	1.18	2.78	1.18	2.75	1.19	2.69	1.20
	-6.0	3.10	1.17	3.05	1.19	2.99	1.20	2.96	1.20	2.93	1.21	2.88	1.22
	-1.0	3.57	1.23	3.51	1.24	3.45	1.25	3.42	1.26	3.40	1.27	3.34	1.28
	1.0	3.75	1.25	3.69	1.26	3.64	1.28	3.61	1.28	3.58	1.29	3.52	1.30
	3.0	3.94	1.27	3.88	1.29	3.82	1.30	3.79	1.30	3.77	1.31	3.71	1.32
	6.0	4.21	1.31	4.16	1.32	<b>4.10</b>	<b>1.33</b>	4.07	1.34	4.04	1.34	3.99	1.35
	8.0	4.40	1.33	4.34	1.34	4.29	1.35	4.26	1.36	4.23	1.36	4.17	1.38
	10.0	4.58	1.35	4.53	1.36	4.47	1.37	4.44	1.38	4.41	1.39	4.36	1.40
	12.0	4.77	1.37	4.71	1.38	4.66	1.40	4.63	1.40	4.60	1.41	4.54	1.42
	15.0	5.05	1.40	4.99	1.42	4.93	1.43	4.91	1.43	4.88	1.44	4.59	1.35
	18.0	5.32	1.44	5.27	1.45	5.17	1.44	5.02	1.40	4.88	1.35	4.59	1.27
3.5	-15.0	2.55	1.24	2.48	1.25	2.42	1.27	2.39	1.27	2.35	1.28	2.29	1.29
	-11.0	2.96	1.29	2.90	1.30	2.83	1.32	2.80	1.32	2.77	1.33	2.71	1.34
	-8.0	3.27	1.33	3.21	1.34	3.15	1.35	3.11	1.36	3.08	1.37	3.02	1.38
	-6.0	3.48	1.35	3.42	1.37	3.35	1.38	3.32	1.39	3.29	1.39	3.23	1.41
	-1.0	4.00	1.41	3.94	1.43	3.87	1.44	3.84	1.45	3.81	1.46	3.75	1.47
	1.0	4.21	1.44	4.14	1.45	4.08	1.47	4.05	1.47	4.02	1.48	3.95	1.49
	3.0	4.42	1.46	4.35	1.48	4.29	1.49	4.26	1.50	4.22	1.51	4.16	1.52
	6.0	4.73	1.50	4.66	1.52	<b>4.60</b>	<b>1.53</b>	4.57	1.54	4.54	1.54	4.47	1.56
	8.0	4.93	1.53	4.87	1.54	4.81	1.56	4.78	1.56	4.74	1.57	4.68	1.58
	10.0	5.14	1.55	5.08	1.57	5.02	1.58	4.98	1.59	4.95	1.59	4.74	1.53
	12.0	5.35	1.58	5.29	1.59	5.22	1.61	5.18	1.61	5.04	1.56	4.74	1.46
	15.0	5.66	1.62	5.60	1.63	5.33	1.55	5.18	1.50	5.04	1.45	4.74	1.36
	18.0	5.93	1.63	5.63	1.54	5.33	1.45	5.18	1.41	5.04	1.36	4.74	1.27

3D057674

### SYMBOLS

TC : Total cooling capacity (kW)  
PI : Power input (kW)

### NOTES

- Capacities are based on following conditions  
Corresponding refrigerant piping length : 5.0m  
Level difference : 0m
- The bold line **□** is indicated the standard condition.  
The above is the value for connecting with the following indoor units.  
2.0, 2.5, 3.5, 5.0kW class; wall mounted D, E (NW-S) series.



# 4 Capacity tables

## 4 - 3 Heating capacity tables

2MXS50FV1B													
Heating [50Hz 230V]													
Combination (Capacity)	Outdoor air temp. °CWB	Indoor air temp.: °CDB											
		14°C		16°C		18°C		19°C		22°C		24°C	
		TC kW	PI kW	TC kW	PI kW	TC kW	PI kW	TC kW	PI kW	TC kW	PI kW	TC kW	PI kW
<b>2.5+2.5</b>	-15.0	3.26	1.27	3.18	1.28	3.10	1.30	3.06	1.31	3.02	1.31	2.94	1.33
	-11.0	3.80	1.32	3.72	1.34	3.63	1.35	3.59	1.36	3.55	1.36	3.47	1.38
	-8.0	4.20	1.36	4.12	1.37	4.03	1.39	3.99	1.40	3.95	1.40	3.87	1.42
	-6.0	4.46	1.39	4.38	1.40	4.30	1.41	4.26	1.42	4.22	1.43	4.14	1.44
	-1.0	5.13	1.45	5.05	1.47	4.97	1.48	4.93	1.49	4.89	1.49	4.80	1.51
	1.0	5.40	1.48	5.32	1.49	5.23	1.51	5.19	1.51	5.15	1.52	5.07	1.53
	3.0	5.66	1.50	5.58	1.52	5.50	1.53	5.46	1.54	5.42	1.55	5.34	1.56
	6.0	6.06	1.54	5.98	1.56	<b>5.90</b>	<b>1.57</b>	5.86	1.58	5.82	1.58	5.74	1.60
	8.0	6.33	1.57	6.25	1.58	6.17	1.60	6.13	1.60	6.09	1.61	6.00	1.62
	10.0	6.60	1.59	6.51	1.61	6.43	1.62	6.39	1.63	6.35	1.64	6.27	1.65
	12.0	6.86	1.62	6.78	1.63	6.70	1.65	6.66	1.65	6.62	1.66	6.54	1.68
	15.0	7.26	1.66	7.18	1.67	7.10	1.69	7.06	1.69	7.02	1.70	6.94	1.71
18.0	7.66	1.70	7.58	1.71	7.50	1.73	7.46	1.73	7.42	1.74	7.34	1.75	
<b>2.5+3.5</b>	-15.0	3.43	1.30	3.35	1.32	3.26	1.33	3.22	1.34	3.17	1.35	3.09	1.36
	-11.0	3.99	1.36	3.91	1.37	3.82	1.38	3.78	1.39	3.73	1.40	3.65	1.41
	-8.0	4.41	1.40	4.33	1.41	4.24	1.42	4.20	1.43	4.15	1.44	4.07	1.45
	-6.0	4.69	1.42	4.61	1.44	4.52	1.45	4.48	1.46	4.43	1.47	4.35	1.48
	-1.0	5.39	1.49	5.31	1.50	5.22	1.52	5.18	1.52	5.13	1.53	5.05	1.55
	1.0	5.67	1.51	5.59	1.53	5.50	1.54	5.46	1.55	5.41	1.56	5.33	1.57
	3.0	5.95	1.54	5.87	1.56	5.78	1.57	5.74	1.58	5.69	1.58	5.61	1.60
	6.0	6.37	1.58	6.29	1.60	<b>6.20</b>	<b>1.61</b>	6.16	1.62	6.11	1.62	6.03	1.64
	8.0	6.65	1.61	6.57	1.62	6.48	1.64	6.44	1.64	6.39	1.65	6.31	1.67
	10.0	6.93	1.63	6.85	1.65	6.76	1.66	6.72	1.67	6.67	1.68	6.59	1.69
	12.0	7.21	1.66	7.13	1.68	7.04	1.69	7.00	1.70	6.95	1.70	6.87	1.72
	15.0	7.63	1.70	7.55	1.71	7.46	1.73	7.42	1.74	7.37	1.74	7.29	1.76
18.0	8.05	1.74	7.97	1.75	7.88	1.77	7.84	1.78	7.79	1.78	7.71	1.80	
<b>2.5+3.5</b>	-15.0	3.21	1.25	3.13	1.27	3.05	1.28	3.01	1.29	2.97	1.30	2.89	1.31
	-11.0	3.73	1.31	3.65	1.32	3.57	1.33	3.53	1.34	3.49	1.35	3.41	1.36
	-8.0	4.13	1.34	4.05	1.36	3.97	1.37	3.93	1.38	3.89	1.39	3.81	1.40
	-6.0	4.39	1.37	4.31	1.38	4.23	1.40	4.19	1.40	4.15	1.41	4.07	1.42
	-1.0	5.04	1.43	4.96	1.45	4.88	1.46	4.84	1.47	4.80	1.47	4.72	1.49
	1.0	5.31	1.46	5.23	1.47	5.15	1.49	5.11	1.49	5.06	1.50	4.98	1.51
	3.0	5.57	1.48	5.49	1.50	5.41	1.51	5.37	1.52	5.33	1.53	5.25	1.54
	6.0	5.96	1.52	5.88	1.54	<b>5.80</b>	<b>1.55</b>	5.76	1.56	5.72	1.56	5.64	1.58
	8.0	6.22	1.55	6.14	1.56	6.06	1.58	6.02	1.58	5.98	1.59	5.90	1.60
	10.0	6.48	1.57	6.40	1.59	6.32	1.60	6.28	1.61	6.24	1.62	6.16	1.63
	12.0	6.75	1.60	6.67	1.61	6.59	1.63	6.55	1.63	6.51	1.64	6.43	1.65
	15.0	7.14	1.64	7.06	1.65	6.98	1.66	6.94	1.67	6.90	1.68	6.82	1.69
18.0	7.53	1.68	7.45	1.69	7.37	1.70	7.33	1.71	7.29	1.72	7.21	1.73	

3D057675

### SYMBOLS

TC : Total cooling capacity (kW)  
PI : Power input (kW)

### NOTES

- Capacities are based on following conditions  
Corresponding refrigerant piping length : 5.0m  
Level difference : 0m
- The bold line **□** is indicated the standard condition.  
The above is the value for connecting with the following indoor units.  
2.0, 2.5, 3.5, 5.0kW class; wall mounted D, E (NW-S) series.

## 4 Capacity tables

### 4 - 3 Heating capacity tables

2MXS50FV1B													
Heating [50Hz 230V]													
Combination (Capacity)	Outdoor air temp. °CWB	Indoor air temp.: °CDB											
		14°C		16°C		18°C		19°C		22°C		24°C	
		TC kW	PI kW	TC kW	PI kW	TC kW	PI kW	TC kW	PI kW	TC kW	PI kW	TC kW	PI kW
5.0	-15.0	3.10	1.60	3.02	1.62	2.94	1.64	2.91	1.65	2.87	1.66	2.79	1.67
	-11.0	3.60	1.67	3.53	1.68	3.45	1.70	3.41	1.71	3.37	1.72	3.30	1.74
	-8.0	3.98	1.72	3.91	1.73	3.83	1.75	3.79	1.76	3.75	1.77	3.67	1.79
	-6.0	4.24	1.75	4.16	1.77	4.08	1.78	4.04	1.79	4.01	1.80	3.93	1.82
	-1.0	4.87	1.83	4.79	1.85	4.71	1.87	4.68	1.87	4.64	1.88	4.56	1.90
	1.0	5.12	1.86	5.04	1.88	4.97	1.90	4.93	1.91	4.89	1.92	4.81	1.93
	3.0	5.38	1.90	5.30	1.91	5.22	1.93	5.18	1.94	5.14	1.95	5.07	1.97
	6.0	5.75	1.94	5.68	1.96	<b>5.60</b>	<b>1.98</b>	5.56	1.99	5.52	2.00	5.28	1.91
	8.0	6.01	1.98	5.93	1.99	5.85	2.01	5.77	2.00	5.61	1.93	5.28	1.79
	10.0	6.26	2.01	6.18	2.03	5.94	1.95	5.77	1.88	5.61	1.82	5.28	1.69
	12.0	6.51	2.04	6.27	1.96	5.94	1.84	5.77	1.78	5.61	1.72	5.28	1.60
	15.0	6.60	1.93	6.27	1.82	5.94	1.71	5.77	1.65	5.61	1.60	5.28	1.49
	18.0	6.54	1.80	6.27	1.70	5.94	1.59	5.77	1.54	5.61	1.49	5.28	1.39
2.0+2.0	-15.0	3.15	1.24	3.08	1.25	3.00	1.27	2.96	1.27	2.92	1.28	2.84	1.29
	-11.0	3.67	1.29	3.59	1.30	3.51	1.32	3.47	1.32	3.43	1.33	3.35	1.34
	-8.0	4.06	1.33	3.98	1.34	3.90	1.35	3.86	1.36	3.82	1.37	3.74	1.38
	-6.0	4.31	1.35	4.23	1.37	4.16	1.38	4.12	1.39	4.08	1.39	4.00	1.41
	-1.0	4.96	1.41	4.88	1.43	4.80	1.44	4.76	1.45	4.72	1.46	4.64	1.47
	1.0	5.21	1.44	5.14	1.45	5.06	1.47	5.02	1.47	4.98	1.48	4.90	1.49
	3.0	5.47	1.46	5.39	1.48	5.31	1.49	5.27	1.50	5.24	1.51	5.16	1.52
	6.0	5.86	1.50	5.78	1.52	<b>5.70</b>	<b>1.53</b>	5.66	1.54	5.62	1.54	5.54	1.56
	8.0	6.11	1.53	6.04	1.54	5.96	1.56	5.92	1.56	5.88	1.57	5.80	1.58
	10.0	6.37	1.55	6.29	1.57	6.21	1.58	6.18	1.59	6.14	1.59	6.06	1.61
	12.0	6.63	1.58	6.55	1.59	6.47	1.61	6.43	1.61	6.39	1.62	6.31	1.63
	15.0	7.02	1.62	6.94	1.63	6.86	1.64	6.82	1.65	6.78	1.66	6.70	1.67
	18.0	7.40	1.65	7.32	1.67	7.24	1.68	7.21	1.69	7.17	1.69	7.09	1.71
2.0+2.5	-15.0	3.21	1.26	3.13	1.28	3.05	1.29	3.01	1.30	2.97	1.30	2.89	1.32
	-11.0	3.73	1.31	3.65	1.33	3.57	1.34	3.53	1.35	3.49	1.36	3.41	1.37
	-8.0	4.13	1.35	4.05	1.37	3.97	1.38	3.93	1.39	3.89	1.39	3.81	1.41
	-6.0	4.39	1.38	4.31	1.39	4.23	1.41	4.19	1.41	4.15	1.42	4.07	1.43
	-1.0	5.04	1.44	4.96	1.46	4.88	1.47	4.84	1.48	4.80	1.48	4.72	1.50
	1.0	5.31	1.47	5.23	1.48	5.15	1.50	5.11	1.50	5.06	1.51	4.98	1.52
	3.0	5.57	1.49	5.49	1.51	5.41	1.52	5.37	1.53	5.33	1.54	5.25	1.55
	6.0	5.96	1.53	5.88	1.55	<b>5.80</b>	<b>1.56</b>	5.76	1.57	5.72	1.57	5.64	1.59
	8.0	6.22	1.56	6.14	1.57	6.06	1.59	6.02	1.59	5.98	1.60	5.90	1.61
	10.0	6.48	1.58	6.40	1.60	6.32	1.61	6.28	1.62	6.24	1.63	6.16	1.64
	12.0	6.75	1.61	6.67	1.62	6.59	1.64	6.55	1.64	6.51	1.65	6.43	1.67
	15.0	7.14	1.65	7.06	1.66	6.98	1.68	6.94	1.68	6.90	1.69	6.82	1.70
	18.0	7.53	1.69	7.45	1.70	7.37	1.71	7.33	1.72	7.29	1.73	7.21	1.74

3D057674

#### SYMBOLS

TC : Total cooling capacity (kW)  
PI : Power input (kW)

#### NOTES

- Capacities are based on following conditions  
Corresponding refrigerant piping length : 5.0m  
Level difference : 0m
- The bold line **□** is indicated the standard condition.  
The above is the value for connecting with the following indoor units.  
2.0, 2.5, 3.5, 5.0kW class; wall mounted D, E (NW-S) series.

# 4 Capacity tables

## 4 - 3 Heating capacity tables

**2MXS50FV1B**  
Heating [50Hz 230V]

Combination (Capacity)	Outdoor air temp. °CWB	Indoor air temp.: °CDB											
		14°C		16°C		18°C		19°C		22°C		24°C	
		TC kW	PI kW	TC kW	PI kW	TC kW	PI kW	TC kW	PI kW	TC kW	PI kW	TC kW	PI kW
<b>2.5+2.5</b>	-15.0	3.32	1.33	3.24	1.34	3.15	1.36	3.11	1.36	3.07	1.37	2.99	1.39
	-11.0	3.86	1.38	3.78	1.40	3.70	1.41	3.66	1.42	3.61	1.43	3.53	1.44
	-8.0	4.27	1.42	4.19	1.44	4.10	1.45	4.06	1.46	4.02	1.47	3.94	1.48
	-6.0	4.54	1.45	4.46	1.46	4.37	1.48	4.33	1.49	4.29	1.49	4.21	1.51
	-1.0	5.22	1.52	5.13	1.53	5.05	1.55	5.01	1.55	4.97	1.56	4.89	1.58
	1.0	5.49	1.54	5.41	1.56	5.32	1.57	5.28	1.58	5.24	1.59	5.16	1.60
	3.0	5.76	1.57	5.68	1.58	5.59	1.60	5.55	1.61	5.51	1.61	5.43	1.63
	6.0	6.17	1.61	6.08	1.63	<b>6.00</b>	<b>1.64</b>	5.96	1.65	5.92	1.65	5.83	1.67
	8.0	6.44	1.64	6.35	1.65	6.27	1.67	6.23	1.67	6.19	1.68	6.11	1.70
	10.0	6.71	1.66	6.62	1.68	6.54	1.69	6.50	1.70	6.46	1.71	6.38	1.72
	12.0	6.98	1.69	6.90	1.71	6.81	1.72	6.77	1.73	6.73	1.74	6.65	1.75
	15.0	7.39	1.73	7.30	1.75	7.22	1.76	7.18	1.77	7.14	1.78	7.05	1.79
	18.0	7.79	1.77	7.71	1.79	7.63	1.80	7.58	1.81	7.54	1.82	7.46	1.83
<b>2.5+3.5</b>	-15.0	3.49	1.33	3.40	1.35	3.31	1.36	3.27	1.37	3.23	1.38	3.14	1.39
	-11.0	4.06	1.39	3.97	1.40	3.88	1.42	3.84	1.43	3.79	1.43	3.71	1.45
	-8.0	4.48	1.43	4.40	1.44	4.31	1.46	4.26	1.47	4.22	1.47	4.13	1.49
	-6.0	4.77	1.46	4.68	1.47	4.59	1.49	4.55	1.49	4.51	1.50	4.42	1.52
	-1.0	5.48	1.53	5.39	1.54	5.30	1.55	5.26	1.56	5.22	1.57	5.13	1.58
	1.0	5.76	1.55	5.68	1.57	5.59	1.58	5.55	1.59	5.50	1.60	5.41	1.61
	3.0	6.05	1.58	5.96	1.59	5.87	1.61	5.83	1.62	5.79	1.62	5.70	1.64
	6.0	6.47	1.62	6.39	1.64	<b>6.30</b>	<b>1.65</b>	6.26	1.66	6.21	1.66	6.13	1.68
	8.0	6.76	1.65	6.67	1.66	6.58	1.68	6.54	1.68	6.50	1.69	6.41	1.71
	10.0	7.04	1.67	6.96	1.69	6.87	1.70	6.83	1.71	6.78	1.72	6.70	1.73
	12.0	7.33	1.70	7.24	1.72	7.15	1.73	7.11	1.74	7.07	1.75	6.98	1.76
	15.0	7.75	1.74	7.67	1.76	7.58	1.77	7.54	1.78	7.49	1.79	7.41	1.80
	18.0	8.18	1.78	8.09	1.80	8.01	1.81	7.96	1.82	7.92	1.83	7.80	1.83
<b>2.5+3.5</b>	-15.0	3.38	1.33	3.29	1.35	3.21	1.36	3.16	1.37	3.12	1.38	3.04	1.39
	-11.0	3.93	1.39	3.84	1.40	3.76	1.42	3.72	1.43	3.67	1.43	3.59	1.45
	-8.0	4.34	1.43	4.26	1.44	4.17	1.46	4.13	1.47	4.09	1.47	4.00	1.49
	-6.0	4.62	1.46	4.53	1.47	4.45	1.49	4.40	1.49	4.36	1.50	4.28	1.52
	-1.0	5.30	1.53	5.22	1.54	5.14	1.55	5.09	1.56	5.05	1.57	4.97	1.58
	1.0	5.58	1.55	5.50	1.57	5.41	1.58	5.37	1.59	5.33	1.60	5.24	1.61
	3.0	5.86	1.58	5.77	1.59	5.69	1.61	5.64	1.62	5.60	1.62	5.52	1.64
	6.0	6.27	1.62	6.18	1.64	<b>6.10</b>	<b>1.65</b>	6.06	1.66	6.02	1.66	5.93	1.68
	8.0	6.54	1.65	6.46	1.66	6.38	1.68	6.33	1.68	6.29	1.69	6.21	1.71
	10.0	6.82	1.67	6.74	1.69	6.65	1.70	6.61	1.71	6.57	1.72	6.48	1.73
	12.0	7.10	1.70	7.01	1.72	6.93	1.73	6.88	1.74	6.84	1.75	6.76	1.76
	15.0	7.51	1.74	7.42	1.76	7.34	1.77	7.30	1.78	7.26	1.79	7.17	1.80
	18.0	7.92	1.78	7.84	1.80	7.75	1.81	7.71	1.82	7.67	1.83	7.55	1.83

3D057675

### SYMBOLS

TC : Total cooling capacity (kW)  
PI : Power input (kW)

### NOTES

- Capacities are based on following conditions  
Corresponding refrigerant piping length : 5.0m  
Level difference : 0m
- The bold line **□** is indicated the standard condition.  
The above is the value for connecting with the following indoor units.  
2.0, 2.5, 3.5, 5.0kW class; wall mounted D, E (NW-S) series.

# 4 Capacity tables

## 4 - 3 Heating capacity tables

4MXS68F2V1B															
Heating [50Hz 230V]															
Combination (Capacity)	Outdoor air temp. °CDB	Indoor air temp.: °CWB													
		-15°C		-10°C		-5°C		0°C		6°C		10°C		15°C	
		TC kW	PI kW	TC kW	PI kW	TC kW	PI kW	TC kW	PI kW	TC kW	PI kW	TC kW	PI kW	TC kW	PI kW
2.0+2.0+2.5+3.5	16.0	5.86	2.13	7.06	2.24	8.25	2.34	9.45	2.45	10.88	2.58	11.84	2.87	13.03	2.78
	18.0	5.71	2.15	6.91	2.26	8.11	2.37	9.30	2.48	10.74	2.61	11.69	2.69	12.89	2.80
	20.0	5.57	2.18	6.76	2.28	7.96	2.39	9.16	2.50	<b>10.59</b>	<b>2.63</b>	11.55	2.72	12.74	2.82
	21.0	5.49	2.19	6.69	2.30	7.89	2.40	9.08	2.51	10.52	2.64	11.47	2.73	12.67	2.84
	22.0	5.42	2.20	6.62	2.31	7.81	2.42	9.01	2.52	10.44	2.65	11.40	2.74	12.60	2.85
	24.0	5.28	2.22	6.47	2.33	7.67	2.44	8.86	2.55	10.30	2.68	11.25	2.76	12.45	2.87
2.0+2.0+3.5+3.5	16.0	5.92	2.15	7.12	2.26	8.33	2.37	9.54	2.48	10.99	2.61	11.95	2.70	13.16	2.81
	18.0	5.77	2.18	6.97	2.29	8.18	2.40	9.39	2.50	10.84	2.64	11.80	2.72	13.01	2.83
	20.0	5.62	2.20	6.83	2.31	8.03	2.42	9.24	2.53	<b>10.69</b>	<b>2.66</b>	11.66	2.75	12.86	2.86
	21.0	5.55	2.21	6.75	2.32	7.96	2.43	9.17	2.54	10.62	2.67	11.58	2.76	12.79	2.87
	22.0	5.47	2.22	6.68	2.33	7.89	2.44	9.09	2.55	10.54	2.68	11.51	2.77	12.72	2.88
	24.0	5.33	2.25	6.53	2.36	7.74	2.47	8.95	2.58	10.39	2.71	11.36	2.80	12.57	2.91
2.0+2.5+2.5+2.5	16.0	5.80	2.08	6.99	2.19	8.17	2.29	9.36	2.40	10.78	2.52	11.73	2.61	12.91	2.71
	18.0	5.66	2.10	6.84	2.21	8.03	2.31	9.21	2.42	10.63	2.55	11.58	2.63	12.77	2.74
	20.0	5.52	2.13	6.70	2.23	7.88	2.34	9.07	2.44	<b>10.49</b>	<b>2.57</b>	11.44	2.65	12.62	2.76
	21.0	5.44	2.14	6.63	2.24	7.81	2.35	9.00	2.45	10.42	2.58	11.37	2.67	12.55	2.77
	22.0	5.37	2.15	6.55	2.25	7.74	2.36	8.92	2.47	10.35	2.59	11.29	2.68	12.48	2.78
	24.0	5.23	2.17	6.41	2.28	7.59	2.38	8.78	2.49	10.20	2.62	11.15	2.70	12.33	2.81
2.0+2.5+2.5+3.5	16.0	5.91	2.16	7.12	2.27	8.32	2.38	9.53	2.49	10.97	2.62	11.94	2.71	13.15	2.82
	18.0	5.76	2.18	6.97	2.29	8.17	2.40	9.38	2.51	10.83	2.65	11.79	2.73	13.00	2.84
	20.0	5.61	2.21	6.82	2.32	8.03	2.43	9.23	2.54	<b>10.68</b>	<b>2.67</b>	11.64	2.76	12.85	2.87
	21.0	5.54	2.22	6.75	2.33	7.95	2.44	9.16	2.55	10.61	2.68	11.57	2.77	12.78	2.88
	22.0	5.47	2.23	6.67	2.34	7.88	2.45	9.09	2.56	10.53	2.69	11.50	2.78	12.70	2.89
	24.0	5.32	2.26	6.53	2.37	7.73	2.48	8.94	2.59	10.39	2.72	11.35	2.81	12.56	2.92
2.5+2.5+2.5+2.5	16.0	5.80	2.10	7.11	2.20	8.31	2.31	9.52	2.42	10.96	2.54	11.93	2.63	13.13	2.74
	18.0	5.76	2.12	6.96	2.23	8.17	2.33	9.37	2.44	10.82	2.57	11.78	2.65	12.99	2.76
	20.0	5.61	2.14	6.81	2.25	8.02	2.36	9.22	2.46	<b>10.67</b>	<b>2.59</b>	11.63	2.68	12.84	2.78
	21.0	5.54	2.15	6.74	2.26	7.95	2.37	9.15	2.47	10.60	2.60	11.56	2.69	12.77	2.79
	22.0	5.46	2.17	6.67	2.27	7.87	2.38	9.08	2.49	10.52	2.61	11.49	2.70	12.69	2.81
	24.0	5.32	2.19	6.52	2.30	7.72	2.40	8.93	2.51	10.38	2.64	11.34	2.72	12.54	2.83
2.5+2.5+2.5+3.5	16.0	5.91	2.09	7.12	2.19	8.32	2.30	9.53	2.41	10.97	2.53	11.94	2.62	13.15	2.72
	18.0	5.76	2.11	6.97	2.22	8.17	2.32	9.38	2.43	10.83	2.56	11.79	2.64	13.00	2.75
	20.0	5.61	2.13	6.82	2.24	8.03	2.35	9.23	2.45	<b>10.68</b>	<b>2.58</b>	11.64	2.66	12.85	2.77
	21.0	5.54	2.15	6.75	2.25	7.95	2.36	9.16	2.46	10.61	2.59	11.57	2.68	12.78	2.78
	22.0	5.47	2.16	6.67	2.26	7.88	2.37	9.09	2.48	10.53	2.60	11.50	2.69	12.70	2.79
	24.0	5.32	2.18	6.53	2.29	7.73	2.39	8.94	2.50	10.39	2.63	11.35	2.71	12.56	2.82

3D056440

### SYMBOLS

TC : Total cooling capacity (kW)  
PI : Power input (kW)

### NOTES

- Capacities are based on following conditions  
Corresponding refrigerant piping length : 5m  
Level difference : 0m
- The bold line  is indicated the standard condition.
- The above is the value for connecting with the following indoor units.  
2.0, 2.5, 3.5, 5.0 kW class: wall mounted D series  
6.0 kW class: wall mounted F series

# 4 Capacity tables

## 4 - 3 Heating capacity tables

### 4MXS68F2V1B

#### Heating [50Hz 230V]

Combination (Capacity)	Outdoor air temp. °CDB	Indoor air temp.: °CWB													
		-15°C		-10°C		-5°C		0°C		6°C		10°C		15°C	
		TC kW	PI kW	TC kW	PI kW	TC kW	PI kW	TC kW	PI kW	TC kW	PI kW	TC kW	PI kW	TC kW	PI kW
2.0+2.0+2.5+3.5	16.0	5.86	2.13	7.06	2.24	8.25	2.34	9.45	2.45	10.88	2.58	11.84	2.67	13.03	2.78
	18.0	5.71	2.15	6.91	2.26	8.11	2.37	9.30	2.48	10.74	2.61	11.69	2.69	12.89	2.80
	20.0	5.57	2.18	6.76	2.28	7.96	2.39	9.16	2.50	<b>10.59</b>	<b>2.63</b>	11.55	2.72	12.74	2.82
	21.0	5.49	2.19	6.69	2.30	7.89	2.40	9.08	2.51	10.52	2.64	11.47	2.73	12.67	2.84
	22.0	5.42	2.20	6.62	2.31	7.81	2.42	9.01	2.52	10.44	2.65	11.40	2.74	12.60	2.85
	24.0	5.28	2.22	6.47	2.33	7.67	2.44	8.86	2.55	10.30	2.68	11.25	2.76	12.45	2.87
2.0+2.0+3.5+3.5	16.0	5.92	2.15	7.12	2.26	8.33	2.37	9.54	2.48	10.99	2.61	11.95	2.70	13.18	2.81
	18.0	5.77	2.18	6.97	2.29	8.18	2.40	9.39	2.50	10.84	2.64	11.80	2.72	13.01	2.83
	20.0	5.62	2.20	6.83	2.31	8.03	2.42	9.24	2.53	<b>10.69</b>	<b>2.66</b>	11.66	2.75	12.86	2.86
	21.0	5.55	2.21	6.75	2.32	7.96	2.43	9.17	2.54	10.62	2.67	11.58	2.76	12.79	2.87
	22.0	5.47	2.22	6.68	2.33	7.89	2.44	9.09	2.55	10.54	2.68	11.51	2.77	12.72	2.88
	24.0	5.33	2.25	6.53	2.36	7.74	2.47	8.95	2.58	10.39	2.71	11.36	2.80	12.57	2.91
2.0+2.5+2.5+2.5	16.0	5.80	2.08	6.99	2.19	8.17	2.29	9.36	2.40	10.78	2.52	11.73	2.61	12.91	2.71
	18.0	5.66	2.10	6.84	2.21	8.03	2.31	9.21	2.42	10.63	2.55	11.58	2.63	12.77	2.74
	20.0	5.52	2.13	6.70	2.23	7.88	2.34	9.07	2.44	<b>10.49</b>	<b>2.57</b>	11.44	2.65	12.62	2.76
	21.0	5.44	2.14	6.63	2.24	7.81	2.35	9.00	2.45	10.42	2.58	11.37	2.67	12.55	2.77
	22.0	5.37	2.15	6.55	2.25	7.74	2.36	8.92	2.47	10.35	2.59	11.29	2.68	12.48	2.78
	24.0	5.23	2.17	6.41	2.28	7.59	2.38	8.78	2.49	10.20	2.62	11.15	2.70	12.33	2.81
2.0+2.5+2.5+3.5	16.0	5.91	2.16	7.12	2.27	8.32	2.38	9.53	2.49	10.97	2.62	11.94	2.71	13.15	2.82
	18.0	5.76	2.18	6.97	2.29	8.17	2.40	9.38	2.51	10.83	2.65	11.79	2.73	13.00	2.84
	20.0	5.61	2.21	6.82	2.32	8.03	2.43	9.23	2.54	<b>10.68</b>	<b>2.67</b>	11.64	2.76	12.85	2.87
	21.0	5.54	2.22	6.75	2.33	7.95	2.44	9.16	2.55	10.61	2.68	11.57	2.77	12.78	2.88
	22.0	5.47	2.23	6.67	2.34	7.88	2.45	9.09	2.56	10.53	2.69	11.50	2.78	12.70	2.89
	24.0	5.32	2.26	6.53	2.37	7.73	2.48	8.94	2.59	10.39	2.72	11.35	2.81	12.56	2.92
2.5+2.5+2.5+2.5	16.0	5.90	2.10	7.11	2.20	8.31	2.31	9.52	2.42	10.96	2.54	11.93	2.63	13.13	2.74
	18.0	5.76	2.12	6.96	2.23	8.17	2.33	9.37	2.44	10.82	2.57	11.78	2.65	12.99	2.76
	20.0	5.61	2.14	6.81	2.25	8.02	2.36	9.22	2.46	<b>10.67</b>	<b>2.59</b>	11.63	2.68	12.84	2.78
	21.0	5.54	2.15	6.74	2.26	7.95	2.37	9.15	2.47	10.60	2.60	11.56	2.69	12.77	2.79
	22.0	5.46	2.17	6.67	2.27	7.87	2.38	9.08	2.49	10.52	2.61	11.49	2.70	12.69	2.81
	24.0	5.32	2.19	6.52	2.30	7.72	2.40	8.93	2.51	10.38	2.64	11.34	2.72	12.54	2.83
2.5+2.5+2.5+3.5	16.0	5.91	2.09	7.12	2.19	8.32	2.30	9.53	2.41	10.97	2.53	11.94	2.62	13.15	2.72
	18.0	5.76	2.11	6.97	2.22	8.17	2.32	9.38	2.43	10.83	2.56	11.79	2.64	13.00	2.75
	20.0	5.61	2.13	6.82	2.24	8.03	2.35	9.23	2.45	<b>10.68</b>	<b>2.58</b>	11.64	2.66	12.85	2.77
	21.0	5.54	2.15	6.75	2.25	7.95	2.36	9.16	2.46	10.61	2.59	11.57	2.69	12.78	2.78
	22.0	5.47	2.16	6.67	2.26	7.88	2.37	9.09	2.48	10.53	2.60	11.50	2.69	12.70	2.79
	24.0	5.32	2.18	6.53	2.29	7.73	2.39	8.94	2.50	10.39	2.63	11.35	2.71	12.56	2.82

3D056448

#### SYMBOLS

TC : Total cooling capacity (kW)  
PI : Power input (kW)

#### NOTES

- Capacities are based on following conditions  
Corresponding refrigerant piping length : 5m  
Level difference : 0m
- The bold line **□** is indicated the standard condition.
- The above is the value for connecting with the following indoor units.  
2.0, 2.5, 3.5 kW class: wall mounted D series  
5.0, 6.0 kW class: wall mounted F series

# 4 Capacity tables

## 4 - 3 Heating capacity tables

4MXS68F2V1B

Heating [50Hz 230V]

Combination (Capacity)	Outdoor air temp. °CDB	Indoor air temp.: °CWB													
		-15°C		-10°C		-5°C		0°C		6°C		10°C		15°C	
		TC kW	PI kW	TC kW	PI kW	TC kW	PI kW	TC kW	PI kW	TC kW	PI kW	TC kW	PI kW	TC kW	PI kW
2.0	16.0	2.17	1.03	2.82	1.08	3.06	1.13	3.51	1.18	4.04	1.25	4.39	1.29	4.84	1.34
	18.0	2.12	1.04	2.56	1.09	3.01	1.14	3.45	1.20	3.98	1.26	4.34	1.30	4.78	1.35
	20.0	2.07	1.05	2.51	1.10	2.95	1.15	3.40	1.21	<b>3.93</b>	<b>1.27</b>	4.29	1.31	4.73	1.36
	21.0	2.04	1.06	2.48	1.11	2.93	1.16	3.37	1.21	3.90	1.28	4.26	1.32	4.70	1.37
	22.0	2.01	1.06	2.46	1.11	2.90	1.17	3.34	1.22	3.88	1.28	4.23	1.32	4.67	1.38
	24.0	1.96	1.07	2.40	1.13	2.85	1.18	3.29	1.23	3.82	1.29	4.18	1.33	4.62	1.39
2.5	16.0	2.29	1.11	2.75	1.16	3.22	1.22	3.68	1.28	4.24	1.35	4.62	1.39	5.08	1.45
	18.0	2.23	1.12	2.69	1.18	3.16	1.23	3.63	1.29	4.19	1.36	4.56	1.40	5.03	1.46
	20.0	2.17	1.13	2.64	1.19	3.10	1.25	3.57	1.30	<b>4.13</b>	<b>1.37</b>	4.50	1.42	4.97	1.47
	21.0	2.14	1.14	2.61	1.20	3.08	1.25	3.54	1.31	4.10	1.38	4.47	1.42	4.94	1.48
	22.0	2.11	1.15	2.58	1.20	3.05	1.26	3.51	1.31	4.07	1.38	4.45	1.43	4.91	1.48
	24.0	2.06	1.16	2.52	1.21	2.99	1.27	3.46	1.33	4.02	1.39	4.39	1.44	4.80	1.47
3.5	16.0	2.50	1.30	3.01	1.37	3.52	1.44	4.03	1.50	4.64	1.58	5.05	1.63	5.56	1.70
	18.0	2.44	1.32	2.95	1.38	3.46	1.45	3.97	1.52	4.58	1.60	4.99	1.65	5.50	1.71
	20.0	2.38	1.33	2.89	1.40	3.40	1.46	3.91	1.53	<b>4.52</b>	<b>1.61</b>	4.93	1.66	5.44	1.73
	21.0	2.35	1.34	2.86	1.41	3.37	1.47	3.88	1.54	4.49	1.62	4.90	1.67	5.40	1.73
	22.0	2.31	1.35	2.82	1.41	3.33	1.48	3.85	1.54	4.46	1.62	4.87	1.68	5.25	1.68
	24.0	2.25	1.36	2.76	1.43	3.27	1.49	3.78	1.56	4.40	1.64	4.80	1.69	4.95	1.57
5.0	16.0	3.19	1.83	3.84	1.92	4.49	2.01	5.14	2.11	5.92	2.22	6.44	2.29	7.09	2.39
	18.0	3.11	1.85	3.76	1.94	4.41	2.03	5.06	2.13	5.84	2.24	6.36	2.31	6.88	2.32
	20.0	3.03	1.87	3.68	1.96	4.33	2.06	4.98	2.15	<b>5.76</b>	<b>2.26</b>	6.28	2.33	6.53	2.17
	21.0	2.99	1.88	3.64	1.97	4.29	2.07	4.94	2.16	5.72	2.27	6.24	2.34	6.35	2.09
	22.0	2.95	1.89	3.60	1.98	4.25	2.08	4.90	2.17	5.68	2.28	6.17	2.33	6.17	2.02
	24.0	2.87	1.91	3.52	2.00	4.17	2.10	4.82	2.19	5.60	2.30	5.82	2.16	5.82	1.87
6.0	16.0	4.74	2.20	5.71	2.31	6.68	2.42	7.65	2.54	8.81	2.67	9.58	2.76	10.18	2.67
	18.0	4.62	2.23	5.59	2.34	6.56	2.45	7.53	2.56	8.69	2.70	9.46	2.79	9.68	2.49
	20.0	4.51	2.25	5.47	2.36	6.44	2.47	7.41	2.59	<b>8.57</b>	<b>2.72</b>	9.18	2.71	9.18	2.32
	21.0	4.45	2.26	5.41	2.37	6.38	2.49	7.35	2.60	8.51	2.73	8.94	2.61	8.94	2.23
	22.0	4.39	2.27	5.36	2.39	6.32	2.50	7.29	2.61	8.45	2.74	8.69	2.51	8.69	2.15
	24.0	4.27	2.30	5.24	2.41	6.20	2.52	7.17	2.63	8.19	2.67	8.19	2.31	8.19	1.99
2.0+2.0	16.0	4.23	1.82	5.09	1.91	5.95	2.01	6.82	2.10	7.85	2.21	8.54	2.28	9.40	2.38
	18.0	4.12	1.84	4.98	1.93	5.85	2.03	6.71	2.12	7.75	2.23	8.44	2.30	9.30	2.40
	20.0	4.02	1.86	4.88	1.95	5.74	2.05	6.60	2.14	<b>7.64</b>	<b>2.25</b>	8.33	2.32	9.19	2.42
	21.0	3.96	1.87	4.83	1.96	5.69	2.06	6.55	2.15	7.59	2.26	8.28	2.33	9.14	2.43
	22.0	3.91	1.88	4.77	1.97	5.64	2.07	6.50	2.16	7.53	2.27	8.22	2.34	9.09	2.44
	24.0	3.81	1.90	4.67	1.99	5.53	2.09	6.39	2.18	7.43	2.29	8.12	2.36	8.98	2.46
2.0+2.5	16.0	4.32	1.89	5.20	1.98	6.09	2.08	6.97	2.17	8.03	2.29	8.73	2.36	9.61	2.46
	18.0	4.21	1.91	5.10	2.00	5.98	2.10	6.86	2.19	7.92	2.31	8.62	2.39	9.51	2.48
	20.0	4.11	1.93	4.99	2.02	5.87	2.12	6.75	2.21	<b>7.81</b>	<b>2.33</b>	8.52	2.41	9.40	2.50
	21.0	4.05	1.94	4.93	2.03	5.82	2.13	6.70	2.23	7.76	2.34	8.46	2.42	9.34	2.51
	22.0	4.00	1.95	4.88	2.04	5.76	2.14	6.64	2.24	7.70	2.35	8.41	2.43	9.29	2.52
	24.0	3.89	1.97	4.77	2.06	5.65	2.16	6.54	2.26	7.59	2.37	8.30	2.45	9.18	2.54

3D056437

### SYMBOLS

TC : Total cooling capacity (kW)  
PI : Power input (kW)

### NOTES

- Capacities are based on following conditions  
Corresponding refrigerant piping length : 5m  
Level difference : 0m
- The bold line  is indicated the standard condition.
- The above is the value for connecting with the following indoor units.  
2.0, 2.5, 3.5, 5.0 kW class: wall mounted D series  
6.0 kW class: wall mounted F series

# 4 Capacity tables

## 4 - 3 Heating capacity tables

### 4MXS68F2V1B

#### Heating [50Hz 230V]

Combination (Capacity)	Outdoor air temp. °CDB	Indoor air temp.: °CWB													
		-15°C		-10°C		-5°C		0°C		6°C		10°C		15°C	
		TC kW	PI kW	TC kW	PI kW	TC kW	PI kW	TC kW	PI kW	TC kW	PI kW	TC kW	PI kW	TC kW	PI kW
3.5+3.5	16.0	4.99	2.52	6.01	2.64	7.03	2.77	8.05	2.90	9.27	3.05	10.08	3.16	11.10	3.28
	18.0	4.87	2.54	5.89	2.67	6.90	2.80	7.92	2.99	9.14	3.08	9.96	3.18	10.98	3.31
	20.0	4.74	2.57	5.76	2.70	6.78	2.83	7.80	2.96	<b>9.02</b>	<b>3.11</b>	9.83	3.21	10.85	3.34
	21.0	4.68	2.59	5.70	2.71	6.72	2.84	7.74	2.97	8.96	3.12	9.77	3.23	10.79	3.35
	22.0	4.62	2.60	5.64	2.73	6.65	2.86	7.67	2.98	8.90	3.14	9.71	3.24	10.51	3.21
	24.0	4.49	2.63	5.51	2.76	6.53	2.88	7.55	3.01	8.77	3.17	9.59	3.27	9.90	2.92
3.5+5.0	16.0	5.80	2.75	6.98	2.89	8.17	3.03	9.35	3.17	10.77	3.34	11.72	3.45	12.90	3.59
	18.0	5.65	2.78	6.84	2.92	8.02	3.06	9.20	3.20	10.62	3.37	11.57	3.48	12.73	3.61
	20.0	5.51	2.81	6.69	2.95	7.88	3.09	9.06	3.23	<b>10.48</b>	<b>3.40</b>	11.43	3.51	12.08	3.30
	21.0	5.44	2.83	6.62	2.97	7.80	3.11	8.99	3.25	10.41	3.42	11.35	3.53	11.75	3.16
	22.0	5.37	2.84	6.55	2.98	7.73	3.12	8.92	3.26	10.34	3.43	11.28	3.54	11.43	3.02
	24.0	5.22	2.87	6.40	3.01	7.59	3.15	8.77	3.29	10.19	3.46	10.77	3.31	10.77	2.75
3.5+6.0	16.0	5.86	2.43	7.06	2.55	8.25	2.67	9.45	2.80	10.88	2.95	11.84	3.04	13.03	3.17
	18.0	5.71	2.45	6.91	2.58	8.11	2.70	9.30	2.82	10.74	2.97	11.69	3.07	12.89	3.20
	20.0	5.57	2.48	6.76	2.60	7.96	2.73	9.16	2.85	<b>10.59</b>	<b>3.00</b>	11.55	3.10	12.74	3.22
	21.0	5.49	2.49	6.69	2.62	7.89	2.74	9.08	2.87	10.52	3.01	11.47	3.11	12.67	3.24
	22.0	5.42	2.51	6.62	2.63	7.81	2.76	9.01	2.88	10.44	3.03	11.40	3.13	12.60	3.25
	24.0	5.28	2.54	6.47	2.66	7.67	2.78	8.86	2.91	10.30	3.05	11.25	3.15	12.45	3.28
5.0+5.0	16.0	5.90	2.60	7.11	2.73	8.31	2.86	9.52	2.99	10.96	3.15	11.93	3.26	13.13	3.39
	18.0	5.76	2.63	6.96	2.76	8.17	2.89	9.37	3.02	10.82	3.18	11.78	3.29	12.99	3.42
	20.0	5.61	2.65	6.81	2.79	8.02	2.92	9.22	3.05	<b>10.67</b>	<b>3.21</b>	11.63	3.32	12.84	3.45
	21.0	5.54	2.67	6.74	2.80	7.95	2.93	9.15	3.07	10.60	3.22	11.56	3.33	12.70	3.42
	22.0	5.46	2.68	6.67	2.82	7.87	2.95	9.08	3.08	10.52	3.24	11.49	3.34	12.35	3.26
	24.0	5.32	2.71	6.52	2.84	7.72	2.98	8.93	3.11	10.38	3.27	11.34	3.37	11.64	2.97
5.0+6.0	16.0	5.90	2.39	7.10	2.52	8.31	2.64	9.51	2.76	10.95	2.91	11.92	3.00	13.12	3.13
	18.0	5.75	2.42	6.96	2.54	8.16	2.67	9.36	2.79	10.81	2.93	11.77	3.03	12.97	3.15
	20.0	5.60	2.45	6.81	2.57	8.01	2.69	9.22	2.81	<b>10.66</b>	<b>2.96</b>	11.62	3.06	12.83	3.18
	21.0	5.53	2.46	6.73	2.58	7.94	2.71	9.14	2.83	10.59	2.97	11.55	3.07	12.75	3.19
	22.0	5.46	2.47	6.66	2.60	7.86	2.72	9.07	2.84	10.51	2.99	11.48	3.08	12.68	3.21
	24.0	5.31	2.50	6.51	2.62	7.72	2.75	8.92	2.87	10.37	3.01	11.33	3.11	12.53	3.23
2.0+2.0+2.0	16.0	5.56	2.18	6.63	2.30	7.82	2.41	8.96	2.52	10.32	2.65	11.22	2.74	12.36	2.85
	18.0	5.42	2.21	6.55	2.32	7.68	2.43	8.82	2.54	10.18	2.68	11.09	2.76	12.22	2.88
	20.0	5.28	2.23	6.41	2.34	7.55	2.46	8.68	2.57	<b>10.04</b>	<b>2.70</b>	10.95	2.79	12.08	2.90
	21.0	5.21	2.25	6.34	2.36	7.48	2.47	8.61	2.58	9.97	2.71	10.88	2.80	12.01	2.91
	22.0	5.14	2.26	6.27	2.37	7.41	2.48	8.54	2.59	9.90	2.72	10.81	2.81	11.94	2.92
	24.0	5.00	2.28	6.13	2.39	7.27	2.50	8.40	2.62	9.76	2.75	10.67	2.84	11.80	2.95
2.0+2.0+2.5	16.0	5.60	2.22	6.74	2.33	7.89	2.44	9.03	2.56	10.40	2.69	11.31	2.78	12.46	2.89
	18.0	5.46	2.24	6.60	2.35	7.75	2.47	8.89	2.58	10.26	2.72	11.17	2.81	12.32	2.92
	20.0	5.32	2.27	6.46	2.38	7.61	2.49	8.75	2.60	<b>10.12</b>	<b>2.74</b>	11.03	2.83	12.18	2.94
	21.0	5.25	2.28	6.39	2.39	7.54	2.50	8.68	2.62	10.05	2.75	10.96	2.84	12.11	2.96
	22.0	5.18	2.29	6.32	2.40	7.47	2.52	8.61	2.63	9.98	2.76	10.89	2.85	12.04	2.97
	24.0	5.04	2.32	6.18	2.43	7.33	2.54	8.47	2.65	9.84	2.79	10.75	2.88	11.90	2.99

3D056438

#### SYMBOLS

TC : Total cooling capacity (kW)  
PI : Power input (kW)

#### NOTES

- Capacities are based on following conditions  
Corresponding refrigerant piping length : 5m  
Level difference : 0m
- The bold line  is indicated the standard condition.
- The above is the value for connecting with the following indoor units.  
2.0, 2.5, 3.5, 5.0 kW class: wall mounted D series  
6.0 kW class: wall mounted F series

# 4 Capacity tables

## 4 - 3 Heating capacity tables

### 4MXS68F2V1B

#### Heating [50Hz 230V]

Combination (Capacity)	Outdoor air temp. °CDB	Indoor air temp.: °CWB													
		-15°C		-10°C		-5°C		0°C		6°C		10°C		15°C	
		TC kW	PI kW	TC kW	PI kW	TC kW	PI kW	TC kW	PI kW	TC kW	PI kW	TC kW	PI kW	TC kW	PI kW
2.0+3.5+3.5	16.0	5.73	2.37	6.90	2.49	8.06	2.61	9.23	2.73	10.64	2.88	11.57	2.97	12.74	3.09
	18.0	5.58	2.40	6.75	2.52	7.92	2.64	9.09	2.76	<b>10.48</b>	<b>2.90</b>	11.48	3.00	12.60	3.12
	20.0	5.44	2.42	6.61	2.54	7.78	2.66	8.95	2.79	<b>10.35</b>	<b>2.93</b>	11.28	3.03	12.45	3.15
	21.0	5.37	2.44	6.54	2.56	7.71	2.68	8.88	2.80	10.28	2.94	11.21	3.04	12.38	3.16
	22.0	5.30	2.45	6.47	2.57	7.64	2.69	8.80	2.81	10.21	2.96	11.14	3.05	12.31	3.17
	24.0	5.16	2.48	6.32	2.60	7.49	2.72	8.66	2.84	10.06	2.98	11.00	3.08	12.17	3.20
2.0+3.5+5.0	16.0	5.91	2.48	7.12	2.60	8.32	2.73	9.53	2.85	10.97	3.00	11.94	3.11	13.15	3.23
	18.0	5.76	2.50	6.97	2.63	8.17	2.76	9.38	2.88	10.83	3.03	11.79	3.13	13.00	3.26
	20.0	5.61	2.53	6.82	2.66	8.03	2.78	9.23	2.91	<b>10.68</b>	<b>3.06</b>	11.64	3.16	12.85	3.29
	21.0	5.54	2.54	6.75	2.67	7.95	2.80	9.16	2.92	10.61	3.07	11.57	3.17	12.78	3.30
	22.0	5.47	2.56	6.67	2.68	7.88	2.81	9.09	2.94	10.53	3.09	11.50	3.19	12.70	3.31
	24.0	5.32	2.59	6.53	2.71	7.73	2.84	8.94	2.96	10.38	3.12	11.35	3.22	12.56	3.34
2.5+2.5+2.5	16.0	5.67	2.32	6.82	2.44	7.98	2.56	9.14	2.68	10.52	2.82	11.45	2.91	12.60	3.03
	18.0	5.53	2.35	6.68	2.47	7.84	2.58	8.99	2.70	10.38	2.84	11.31	2.94	12.46	3.06
	20.0	5.38	2.37	6.54	2.49	7.70	2.61	8.85	2.73	<b>10.24</b>	<b>2.87</b>	11.17	2.96	12.32	3.08
	21.0	5.31	2.39	6.47	2.50	7.63	2.62	8.78	2.74	10.17	2.88	11.09	2.98	12.25	3.10
	22.0	5.24	2.40	6.40	2.52	7.55	2.64	8.71	2.75	10.10	2.90	11.02	2.99	12.18	3.11
	24.0	5.10	2.43	6.26	2.54	7.41	2.66	8.57	2.78	9.96	2.92	10.88	3.02	12.04	3.13
2.5+2.5+3.5	16.0	5.78	2.39	6.96	2.52	8.14	2.64	9.32	2.76	10.74	2.91	11.68	3.00	12.86	3.13
	18.0	5.64	2.42	6.82	2.54	8.00	2.67	9.18	2.79	10.59	2.93	11.54	3.03	12.72	3.15
	20.0	5.49	2.45	6.67	2.57	7.85	2.69	9.03	2.81	<b>10.45</b>	<b>2.96</b>	11.39	3.06	12.57	3.18
	21.0	5.42	2.46	6.60	2.58	7.78	2.71	8.96	2.83	10.38	2.97	11.32	3.07	12.50	3.19
	22.0	5.35	2.47	6.53	2.60	7.71	2.72	8.89	2.84	10.31	2.99	11.25	3.08	12.43	3.21
	24.0	5.21	2.50	6.39	2.62	7.57	2.75	8.75	2.87	10.16	3.01	11.11	3.11	12.29	3.23
2.5+2.5+5.0	16.0	5.89	2.44	7.09	2.57	8.29	2.68	9.49	2.82	10.93	2.97	11.89	3.07	13.10	3.19
	18.0	5.74	2.47	6.94	2.59	8.14	2.72	9.35	2.84	10.79	2.99	11.75	3.09	12.95	3.22
	20.0	5.59	2.50	6.80	2.62	8.00	2.75	9.20	2.87	<b>10.64</b>	<b>3.02</b>	11.60	3.12	12.80	3.24
	21.0	5.52	2.51	6.72	2.64	7.92	2.76	9.12	2.88	10.57	3.03	11.53	3.13	12.73	3.26
	22.0	5.45	2.52	6.65	2.65	7.85	2.77	9.05	2.90	10.49	3.05	11.45	3.15	12.66	3.27
	24.0	5.30	2.55	6.50	2.68	7.70	2.80	8.90	2.93	10.35	3.07	11.31	3.17	12.51	3.30
2.5+2.5+6.0	16.0	5.89	2.14	7.10	2.24	8.30	2.35	9.50	2.46	10.94	2.59	11.91	2.68	13.11	2.79
	18.0	5.75	2.16	6.95	2.27	8.15	2.38	9.35	2.49	10.80	2.62	11.76	2.70	12.96	2.81
	20.0	5.60	2.18	6.80	2.29	8.00	2.40	9.21	2.51	<b>10.65</b>	<b>2.64</b>	11.61	2.73	12.81	2.84
	21.0	5.53	2.20	6.73	2.30	7.93	2.41	9.13	2.52	10.58	2.65	11.54	2.74	12.74	2.85
	22.0	5.45	2.21	6.65	2.32	7.86	2.42	9.06	2.53	10.50	2.66	11.47	2.75	12.67	2.86
	24.0	5.31	2.23	6.51	2.34	7.71	2.45	8.91	2.56	10.36	2.69	11.32	2.77	12.52	2.88
2.5+3.5+3.5	16.0	5.85	2.39	7.05	2.52	8.24	2.64	9.44	2.76	10.87	2.91	11.83	3.00	13.02	3.13
	18.0	5.71	2.42	6.90	2.54	8.10	2.67	9.29	2.79	10.73	2.93	11.68	3.03	12.88	3.15
	20.0	5.56	2.45	6.76	2.57	7.95	2.69	9.15	2.81	<b>10.58</b>	<b>2.96</b>	11.54	3.06	12.73	3.18
	21.0	5.49	2.46	6.68	2.58	7.88	2.71	9.07	2.83	10.51	2.97	11.46	3.07	12.66	3.19
	22.0	5.42	2.47	6.61	2.60	7.81	2.72	9.00	2.84	10.43	2.99	11.39	3.08	12.58	3.21
	24.0	5.27	2.50	6.46	2.62	7.66	2.75	8.85	2.87	10.29	3.01	11.24	3.11	12.44	3.23

3D056439

#### SYMBOLS

TC : Total cooling capacity (kW)  
PI : Power input (kW)

#### NOTES

- Capacities are based on following conditions  
Corresponding refrigerant piping length : 5m  
Level difference : 0m
- The bold line  is indicated the standard condition.
- The above is the value for connecting with the following indoor units.  
2.0, 2.5, 3.5, 5.0 kW class: wall mounted D series  
6.0 kW class: wall mounted F series



# 4 Capacity tables

## 4 - 3 Heating capacity tables

### 4MXS68F2V1B

#### Heating [50Hz 230V]

Combination (Capacity)	Outdoor air temp. °CDB	Indoor air temp.: °CWB													
		-15°C		-10°C		-5°C		0°C		6°C		10°C		15°C	
		TC kW	PI kW	TC kW	PI kW	TC kW	PI kW	TC kW	PI kW	TC kW	PI kW	TC kW	PI kW	TC kW	PI kW
2.0	16.0	2.17	1.03	2.82	1.08	3.06	1.13	3.51	1.18	4.04	1.25	4.39	1.29	4.84	1.34
	18.0	2.12	1.04	2.56	1.09	3.01	1.14	3.45	1.20	3.98	1.26	4.34	1.30	4.78	1.35
	20.0	2.07	1.05	2.51	1.10	2.95	1.15	3.40	1.21	<b>3.93</b>	<b>1.27</b>	4.29	1.31	4.73	1.36
	21.0	2.04	1.06	2.48	1.11	2.93	1.16	3.37	1.21	3.90	1.28	4.26	1.32	4.70	1.37
	22.0	2.01	1.06	2.46	1.11	2.90	1.17	3.34	1.22	3.88	1.28	4.23	1.32	4.67	1.38
	24.0	1.96	1.07	2.40	1.13	2.85	1.18	3.29	1.23	3.82	1.29	4.18	1.33	4.62	1.39
2.5	16.0	2.29	1.11	2.75	1.16	3.22	1.22	3.68	1.28	4.24	1.35	4.62	1.39	5.08	1.45
	18.0	2.23	1.12	2.69	1.18	3.16	1.23	3.63	1.29	4.19	1.36	4.56	1.40	5.03	1.46
	20.0	2.17	1.13	2.64	1.19	3.10	1.25	3.57	1.30	<b>4.13</b>	<b>1.37</b>	4.50	1.42	4.97	1.47
	21.0	2.14	1.14	2.61	1.20	3.08	1.25	3.54	1.31	4.10	1.38	4.47	1.42	4.94	1.48
	22.0	2.11	1.15	2.58	1.20	3.05	1.26	3.51	1.31	4.07	1.38	4.45	1.43	4.91	1.48
	24.0	2.06	1.16	2.52	1.21	2.99	1.27	3.46	1.33	4.02	1.39	4.39	1.44	4.80	1.47
3.5	16.0	2.50	1.30	3.01	1.37	3.52	1.44	4.03	1.50	4.64	1.58	5.05	1.63	5.56	1.70
	18.0	2.44	1.32	2.95	1.38	3.46	1.45	3.97	1.52	4.58	1.60	4.99	1.65	5.50	1.71
	20.0	2.38	1.33	2.89	1.40	3.40	1.46	3.91	1.53	<b>4.52</b>	<b>1.61</b>	4.93	1.66	5.44	1.73
	21.0	2.35	1.34	2.86	1.41	3.37	1.47	3.88	1.54	4.49	1.62	4.90	1.67	5.40	1.73
	22.0	2.31	1.35	2.82	1.41	3.33	1.48	3.85	1.54	4.46	1.62	4.87	1.68	5.25	1.68
	24.0	2.25	1.36	2.76	1.43	3.27	1.49	3.78	1.56	4.40	1.64	4.80	1.69	4.95	1.57
5.0	16.0	3.16	1.59	3.80	1.67	4.45	1.75	5.09	1.83	5.87	1.92	6.38	1.99	7.03	2.07
	18.0	3.08	1.60	3.73	1.68	4.37	1.76	5.02	1.85	5.79	1.94	6.30	2.01	6.88	2.05
	20.0	3.00	1.62	3.65	1.70	4.29	1.78	4.94	1.86	<b>5.71</b>	<b>1.96</b>	6.23	2.02	6.53	1.92
	21.0	2.96	1.63	3.61	1.71	4.25	1.78	4.90	1.87	5.67	1.97	6.19	2.03	6.35	1.86
	22.0	2.92	1.64	3.57	1.72	4.21	1.80	4.86	1.88	5.63	1.98	6.15	2.04	6.17	1.80
	24.0	2.84	1.66	3.49	1.74	4.13	1.82	4.78	1.90	5.55	2.00	5.82	1.91	5.82	1.67
6.0	16.0	4.74	2.20	5.71	2.31	6.68	2.42	7.65	2.54	8.81	2.67	9.58	2.76	10.18	2.67
	18.0	4.62	2.23	5.59	2.34	6.56	2.45	7.53	2.56	8.69	2.70	9.46	2.79	9.68	2.49
	20.0	4.51	2.25	5.47	2.36	6.44	2.47	7.41	2.58	<b>8.57</b>	<b>2.72</b>	9.18	2.71	9.18	2.32
	21.0	4.45	2.26	5.41	2.37	6.38	2.49	7.35	2.60	8.51	2.73	8.94	2.61	8.94	2.23
	22.0	4.39	2.27	5.36	2.39	6.32	2.50	7.29	2.61	8.45	2.74	8.69	2.51	8.69	2.15
	24.0	4.27	2.30	5.24	2.41	6.20	2.52	7.17	2.63	8.19	2.67	8.19	2.31	8.19	1.99
2.0+2.0	16.0	4.23	1.82	5.09	1.91	5.95	2.01	6.82	2.10	7.85	2.21	8.54	2.28	9.40	2.38
	18.0	4.12	1.84	4.98	1.93	5.85	2.03	6.71	2.12	7.75	2.23	8.44	2.30	9.30	2.40
	20.0	4.02	1.86	4.88	1.95	5.74	2.05	6.60	2.14	<b>7.64</b>	<b>2.25</b>	8.33	2.32	9.19	2.42
	21.0	3.96	1.87	4.83	1.96	5.69	2.06	6.55	2.15	7.59	2.26	8.28	2.33	9.14	2.43
	22.0	3.91	1.88	4.77	1.97	5.64	2.07	6.50	2.16	7.53	2.27	8.22	2.34	9.09	2.44
	24.0	3.81	1.90	4.67	1.99	5.53	2.09	6.39	2.18	7.43	2.29	8.12	2.36	8.98	2.46
2.0+2.5	16.0	4.32	1.89	5.20	1.98	6.09	2.08	6.97	2.17	8.03	2.29	8.73	2.36	9.61	2.46
	18.0	4.21	1.91	5.10	2.00	5.98	2.10	6.86	2.19	7.92	2.31	8.62	2.39	9.51	2.48
	20.0	4.11	1.93	4.99	2.02	5.87	2.12	6.75	2.21	<b>7.81</b>	<b>2.33</b>	8.52	2.41	9.40	2.50
	21.0	4.05	1.94	4.93	2.03	5.82	2.13	6.70	2.23	7.76	2.34	8.46	2.42	9.34	2.51
	22.0	4.00	1.95	4.88	2.04	5.76	2.14	6.64	2.24	7.70	2.35	8.41	2.43	9.29	2.52
	24.0	3.89	1.97	4.77	2.06	5.65	2.16	6.54	2.26	7.59	2.37	8.30	2.45	9.18	2.54

3D056445

#### SYMBOLS

TC : Total cooling capacity (kW)  
PI : Power input (kW)

#### NOTES

- Capacities are based on following conditions  
Corresponding refrigerant piping length : 5m  
Level difference : 0m
- The bold line  is indicated the standard condition.
- The above is the value for connecting with the following indoor units.  
2.0, 2.5, 3.5 kW class: wall mounted D series  
5.0, 6.0 kW class: wall mounted F series

# 4 Capacity tables

## 4 - 3 Heating capacity tables

4MXS68F2V1B

Heating [50Hz 230V]

Combination (Capacity)	Outdoor air temp. °CDB	Indoor air temp.: °CWB													
		-15°C		-10°C		-5°C		0°C		6°C		10°C		15°C	
		TC kW	PI kW	TC kW	PI kW	TC kW	PI kW	TC kW	PI kW	TC kW	PI kW	TC kW	PI kW	TC kW	PI kW
3.5+3.5	16.0	4.99	2.52	6.01	2.64	7.03	2.77	8.05	2.90	9.27	3.05	10.08	3.16	11.10	3.28
	18.0	4.87	2.54	5.89	2.67	6.90	2.80	7.92	2.93	9.14	3.08	9.96	3.18	10.98	3.31
	20.0	4.74	2.57	5.76	2.70	6.78	2.83	7.80	2.96	<b>9.02</b>	<b>3.11</b>	9.83	3.21	10.85	3.34
	21.0	4.68	2.59	5.70	2.71	6.72	2.84	7.74	2.97	8.96	3.12	9.77	3.23	10.79	3.35
	22.0	4.62	2.60	5.64	2.73	6.65	2.86	7.67	2.98	8.90	3.14	9.71	3.24	10.51	3.21
	24.0	4.49	2.63	5.51	2.76	6.53	2.88	7.55	3.01	8.77	3.17	9.59	3.27	9.90	2.92
3.5+5.0	16.0	5.76	2.43	6.94	2.55	8.11	2.67	9.29	2.80	10.70	2.95	11.64	3.04	12.81	3.17
	18.0	5.82	2.45	6.79	2.58	7.97	2.70	9.14	2.82	10.55	2.97	11.49	3.07	12.67	3.20
	20.0	5.47	2.48	6.65	2.60	7.82	2.73	9.00	2.85	<b>10.41</b>	<b>3.00</b>	11.35	3.10	12.08	2.98
	21.0	5.40	2.49	6.58	2.62	7.75	2.74	8.93	2.87	10.34	3.01	11.28	3.11	11.75	2.85
	22.0	5.33	2.51	6.50	2.63	7.68	2.76	8.86	2.88	10.27	3.03	11.21	3.13	11.49	2.73
	24.0	5.19	2.54	6.36	2.66	7.54	2.78	8.71	2.91	10.12	3.05	10.77	2.98	10.77	2.51
3.5+6.0	16.0	5.86	2.43	7.06	2.55	8.25	2.67	9.45	2.80	10.88	2.95	11.84	3.04	13.03	3.17
	18.0	5.71	2.45	6.91	2.58	8.11	2.70	9.30	2.82	10.74	2.97	11.69	3.07	12.89	3.20
	20.0	5.57	2.48	6.76	2.60	7.96	2.73	9.16	2.85	<b>10.59</b>	<b>3.00</b>	11.55	3.10	12.74	3.22
	21.0	5.49	2.49	6.69	2.62	7.89	2.74	9.08	2.87	10.52	3.01	11.47	3.11	12.67	3.24
	22.0	5.42	2.51	6.62	2.63	7.81	2.76	9.01	2.88	10.44	3.03	11.40	3.13	12.60	3.25
	24.0	5.28	2.54	6.47	2.66	7.67	2.78	8.86	2.91	10.30	3.05	11.25	3.15	12.45	3.28
5.0+5.0	16.0	5.97	2.06	7.06	2.17	8.26	2.27	9.46	2.38	10.89	2.50	11.85	2.59	13.05	2.69
	18.0	5.72	2.09	6.92	2.19	8.11	2.30	9.31	2.40	10.75	2.53	11.70	2.61	12.90	2.72
	20.0	5.57	2.11	6.77	2.21	7.97	2.32	9.16	2.42	<b>10.60</b>	<b>2.55</b>	11.56	2.63	12.75	2.74
	21.0	5.50	2.12	6.70	2.23	7.89	2.33	9.09	2.44	10.53	2.56	11.48	2.65	12.68	2.75
	22.0	5.43	2.13	6.62	2.24	7.82	2.34	9.02	2.45	10.45	2.57	11.41	2.66	12.65	2.65
	24.0	5.28	2.15	6.48	2.26	7.67	2.36	8.87	2.47	10.31	2.60	11.26	2.68	11.64	2.43
5.0+6.0	16.0	5.91	2.16	7.12	2.27	8.32	2.38	9.53	2.49	10.97	2.62	11.94	2.71	13.15	2.82
	18.0	5.76	2.18	6.97	2.29	8.17	2.40	9.38	2.51	10.83	2.65	11.79	2.73	13.00	2.84
	20.0	5.61	2.21	6.82	2.32	8.03	2.43	9.23	2.54	<b>10.68</b>	<b>2.67</b>	11.64	2.76	12.85	2.87
	21.0	5.54	2.22	6.75	2.33	7.95	2.44	9.16	2.55	10.61	2.68	11.57	2.77	12.78	2.88
	22.0	5.47	2.23	6.67	2.34	7.88	2.45	9.09	2.56	10.53	2.69	11.50	2.78	12.70	2.89
	24.0	5.32	2.26	6.53	2.37	7.73	2.48	8.94	2.59	10.39	2.72	11.35	2.81	12.56	2.92
2.0+2.0+2.0	16.0	5.56	2.18	6.69	2.30	7.82	2.41	8.96	2.52	10.32	2.65	11.22	2.74	12.36	2.85
	18.0	5.42	2.21	6.55	2.32	7.68	2.43	8.82	2.54	10.18	2.68	11.09	2.76	12.22	2.88
	20.0	5.28	2.23	6.41	2.34	7.55	2.46	8.68	2.57	<b>10.04</b>	<b>2.70</b>	10.95	2.79	12.08	2.90
	21.0	5.21	2.25	6.34	2.36	7.48	2.47	8.61	2.58	9.97	2.71	10.88	2.80	12.01	2.91
	22.0	5.14	2.26	6.27	2.37	7.41	2.48	8.54	2.59	9.90	2.72	10.81	2.81	11.94	2.92
	24.0	5.00	2.28	6.13	2.39	7.27	2.50	8.40	2.62	9.76	2.75	10.67	2.84	11.80	2.95
2.0+2.0+2.5	16.0	5.60	2.22	6.74	2.33	7.89	2.44	9.03	2.56	10.40	2.69	11.31	2.78	12.46	2.89
	18.0	5.46	2.24	6.60	2.35	7.75	2.47	8.89	2.58	10.26	2.72	11.17	2.81	12.32	2.92
	20.0	5.32	2.27	6.46	2.38	7.61	2.49	8.75	2.60	<b>10.12</b>	<b>2.74</b>	11.03	2.83	12.18	2.94
	21.0	5.25	2.28	6.39	2.39	7.54	2.50	8.68	2.62	10.05	2.75	10.96	2.84	12.11	2.96
	22.0	5.18	2.29	6.32	2.40	7.47	2.52	8.61	2.63	9.98	2.76	10.89	2.85	12.04	2.97
	24.0	5.04	2.32	6.18	2.43	7.33	2.54	8.47	2.65	9.84	2.79	10.75	2.88	11.90	2.99

3D056446

### SYMBOLS

TC : Total cooling capacity (kW)  
PI : Power input (kW)

### NOTES

- Capacities are based on following conditions  
Corresponding refrigerant piping length : 5m  
Level difference : 0m
- The bold line  is indicated the standard condition.
- The above is the value for connecting with the following indoor units.  
2.0, 2.5, 3.5 kW class: wall mounted D series  
5.0, 6.0 kW class: wall mounted F series

# 4 Capacity tables

## 4 - 3 Heating capacity tables

### 4MXS68F2V1B

#### Heating [50Hz 230V]

Combination (Capacity)	Outdoor air temp. °CDB	Indoor air temp.: °CWB													
		-15°C		-10°C		-5°C		0°C		6°C		10°C		15°C	
		TC kW	PI kW	TC kW	PI kW	TC kW	PI kW	TC kW	PI kW	TC kW	PI kW	TC kW	PI kW	TC kW	PI kW
2.0+3.5+3.5	16.0	5.73	2.37	6.90	2.49	8.06	2.61	9.23	2.73	10.64	2.88	11.57	2.97	12.74	3.09
	18.0	5.58	2.40	6.75	2.52	7.92	2.64	9.09	2.76	10.49	2.90	11.49	3.00	12.60	3.12
	20.0	5.44	2.42	6.61	2.54	7.78	2.66	8.95	2.79	<b>10.35</b>	<b>2.93</b>	11.29	3.03	12.45	3.15
	21.0	5.37	2.44	6.54	2.56	7.71	2.68	8.88	2.80	10.28	2.94	11.21	3.04	12.38	3.16
	22.0	5.30	2.45	6.47	2.57	7.64	2.69	8.80	2.81	10.21	2.96	11.14	3.05	12.31	3.17
	24.0	5.16	2.48	6.32	2.60	7.49	2.72	8.66	2.84	10.06	2.98	11.00	3.08	12.17	3.20
2.0+3.5+5.0	16.0	5.92	2.23	7.13	2.35	8.34	2.46	9.55	2.57	11.00	2.71	11.96	2.80	13.17	2.91
	18.0	5.77	2.26	6.98	2.37	8.19	2.49	9.40	2.60	10.85	2.74	11.81	2.83	13.02	2.94
	20.0	5.63	2.28	6.83	2.40	8.04	2.51	9.25	2.62	<b>10.70</b>	<b>2.76</b>	11.67	2.85	12.87	2.96
	21.0	5.55	2.30	6.76	2.41	7.97	2.52	9.18	2.64	10.63	2.77	11.59	2.86	12.80	2.98
	22.0	5.48	2.31	6.69	2.42	7.89	2.53	9.10	2.65	10.55	2.78	11.52	2.88	12.73	2.99
	24.0	5.33	2.33	6.54	2.45	7.75	2.56	8.95	2.67	10.40	2.81	11.37	2.90	12.58	3.01
2.5+2.5+2.5	16.0	5.67	2.32	6.82	2.44	7.98	2.56	9.14	2.68	10.52	2.82	11.45	2.91	12.60	3.03
	18.0	5.53	2.35	6.68	2.47	7.84	2.58	8.99	2.70	10.38	2.84	11.31	2.94	12.46	3.06
	20.0	5.38	2.37	6.54	2.49	7.70	2.61	8.85	2.73	<b>10.24</b>	<b>2.87</b>	11.17	2.96	12.32	3.08
	21.0	5.31	2.39	6.47	2.50	7.63	2.62	8.78	2.74	10.17	2.88	11.09	2.98	12.25	3.10
	22.0	5.24	2.40	6.40	2.52	7.55	2.64	8.71	2.75	10.10	2.90	11.02	2.99	12.18	3.11
	24.0	5.10	2.43	6.26	2.54	7.41	2.66	8.57	2.78	9.96	2.92	10.88	3.02	12.04	3.13
2.5+2.5+3.5	16.0	5.78	2.39	6.96	2.52	8.14	2.64	9.32	2.76	10.74	2.91	11.68	3.00	12.86	3.13
	18.0	5.64	2.42	6.82	2.54	8.00	2.67	9.18	2.79	10.59	2.93	11.54	3.03	12.72	3.15
	20.0	5.49	2.45	6.67	2.57	7.85	2.69	9.03	2.81	<b>10.45</b>	<b>2.96</b>	11.39	3.06	12.57	3.18
	21.0	5.42	2.46	6.60	2.58	7.78	2.71	8.96	2.83	10.38	2.97	11.32	3.07	12.50	3.19
	22.0	5.35	2.47	6.53	2.60	7.71	2.72	8.89	2.84	10.31	2.99	11.25	3.08	12.43	3.21
	24.0	5.21	2.50	6.39	2.62	7.57	2.75	8.75	2.87	10.16	3.01	11.11	3.11	12.29	3.23
2.5+2.5+5.0	16.0	5.90	2.20	7.10	2.31	8.31	2.42	9.51	2.54	10.95	2.67	11.92	2.76	13.12	2.87
	18.0	5.75	2.23	6.96	2.34	8.16	2.45	9.36	2.56	10.81	2.70	11.77	2.79	12.97	2.90
	20.0	5.60	2.25	6.81	2.36	8.01	2.47	9.22	2.59	<b>10.66</b>	<b>2.72</b>	11.62	2.81	12.83	2.92
	21.0	5.53	2.26	6.73	2.37	7.94	2.49	9.14	2.60	10.59	2.73	11.55	2.82	12.75	2.93
	22.0	5.46	2.27	6.66	2.39	7.86	2.50	9.07	2.61	10.51	2.74	11.48	2.83	12.68	2.95
	24.0	5.31	2.30	6.51	2.41	7.72	2.52	8.92	2.63	10.37	2.77	11.33	2.86	12.53	2.97
2.5+2.5+6.0	16.0	5.89	2.14	7.10	2.24	8.30	2.35	9.50	2.46	10.94	2.59	11.91	2.68	13.11	2.79
	18.0	5.75	2.16	6.95	2.27	8.15	2.38	9.35	2.49	10.80	2.62	11.76	2.70	12.96	2.81
	20.0	5.60	2.18	6.80	2.29	8.00	2.40	9.21	2.51	<b>10.65</b>	<b>2.64</b>	11.61	2.73	12.81	2.84
	21.0	5.53	2.20	6.73	2.30	7.93	2.41	9.13	2.52	10.58	2.65	11.54	2.74	12.74	2.85
	22.0	5.45	2.21	6.65	2.32	7.86	2.42	9.06	2.53	10.50	2.66	11.47	2.75	12.67	2.86
	24.0	5.31	2.23	6.51	2.34	7.71	2.45	8.91	2.56	10.36	2.69	11.32	2.77	12.52	2.88
2.5+3.5+3.5	16.0	5.85	2.39	7.05	2.52	8.24	2.64	9.44	2.76	10.87	2.91	11.83	3.00	13.02	3.13
	18.0	5.71	2.42	6.90	2.54	8.10	2.67	9.29	2.79	10.73	2.93	11.68	3.03	12.88	3.15
	20.0	5.56	2.45	6.76	2.57	7.95	2.69	9.15	2.81	<b>10.58</b>	<b>2.96</b>	11.54	3.06	12.73	3.18
	21.0	5.49	2.46	6.68	2.58	7.88	2.71	9.07	2.83	10.51	2.97	11.46	3.07	12.66	3.19
	22.0	5.42	2.47	6.61	2.60	7.81	2.72	9.00	2.84	10.43	2.99	11.39	3.08	12.58	3.21
	24.0	5.27	2.50	6.46	2.62	7.66	2.75	8.85	2.87	10.29	3.01	11.24	3.11	12.44	3.23

3D056447

#### SYMBOLS

TC : Total cooling capacity (kW)  
PI : Power input (kW)

#### NOTES

- Capacities are based on following conditions  
Corresponding refrigerant piping length : 5m  
Level difference : 0m
- The bold line  is indicated the standard condition.
- The above is the value for connecting with the following indoor units.  
2.0, 2.5, 3.5 kW class: wall mounted D series  
5.0, 6.0 kW class: wall mounted F series

# 4 Capacity tables

## 4 - 3 Heating capacity tables

### 4MXS68F2V1B

#### Heating [50Hz 230V]

Combination (Capacity)	Outdoor air temp. °CDB	Indoor air temp.: °CWB													
		-15°C		-10°C		-5°C		0°C		6°C		10°C		15°C	
		TC kW	PI kW	TC kW	PI kW	TC kW	PI kW	TC kW	PI kW	TC kW	PI kW	TC kW	PI kW	TC kW	PI kW
2.0+3.5	16.0	4.62	2.14	5.56	2.24	6.50	2.35	7.44	2.46	8.57	2.59	9.32	2.68	10.27	2.79
	18.0	4.50	2.16	5.44	2.27	6.38	2.38	7.33	2.49	8.46	2.62	9.21	2.70	10.15	2.81
	20.0	4.38	2.18	5.33	2.29	6.27	2.40	7.21	2.51	<b>8.34</b>	<b>2.64</b>	9.09	2.73	10.04	2.84
	21.0	4.33	2.20	5.27	2.30	6.21	2.41	7.15	2.52	8.28	2.65	9.04	2.74	9.98	2.85
	22.0	4.27	2.21	5.21	2.32	6.15	2.42	7.09	2.53	8.22	2.66	8.98	2.75	9.92	2.86
	24.0	4.15	2.23	5.10	2.34	6.04	2.45	6.98	2.56	8.11	2.69	8.86	2.77	9.75	2.85
2.0+5.0	16.0	5.62	2.64	6.76	2.77	7.91	2.91	9.05	3.04	10.43	3.20	11.35	3.31	12.49	3.44
	18.0	5.48	2.67	6.62	2.80	7.77	2.94	8.91	3.07	10.29	3.23	11.21	3.34	12.35	3.47
	20.0	5.34	2.70	6.48	2.83	7.63	2.96	8.77	3.10	<b>10.15</b>	<b>3.26</b>	11.07	3.37	11.91	3.30
	21.0	5.27	2.71	6.41	2.85	7.56	2.98	8.70	3.11	10.08	3.27	11.00	3.38	11.59	3.16
	22.0	5.20	2.73	6.34	2.86	7.49	2.99	8.63	3.13	10.01	3.29	10.93	3.40	11.26	3.02
	24.0	5.06	2.75	6.20	2.89	7.35	3.02	8.49	3.16	9.87	3.32	10.62	3.31	10.62	2.75
2.0+6.0	16.0	5.72	2.41	6.89	2.53	8.06	2.66	9.22	2.78	10.63	2.93	11.56	3.02	12.73	3.15
	18.0	5.58	2.44	6.75	2.56	7.91	2.68	9.08	2.81	10.48	2.95	11.42	3.05	12.58	3.17
	20.0	5.44	2.46	6.60	2.59	7.77	2.71	8.94	2.83	<b>10.34</b>	<b>2.98</b>	11.27	3.08	12.44	3.20
	21.0	5.36	2.48	6.53	2.60	7.70	2.72	8.87	2.85	10.27	2.99	11.20	3.09	12.37	3.21
	22.0	5.29	2.49	6.46	2.61	7.63	2.74	8.80	2.86	10.20	3.01	11.13	3.11	12.30	3.23
	24.0	5.15	2.52	6.32	2.64	7.49	2.76	8.65	2.89	10.05	3.03	10.99	3.13	12.16	3.25
2.5+2.5	16.0	4.52	2.07	5.44	2.18	6.36	2.28	7.28	2.39	8.39	2.51	9.12	2.60	10.04	2.70
	18.0	4.40	2.09	5.32	2.20	6.25	2.31	7.17	2.41	8.27	2.54	9.01	2.62	9.93	2.73
	20.0	4.29	2.12	5.21	2.22	6.13	2.33	7.05	2.43	<b>8.16</b>	<b>2.56</b>	8.90	2.64	9.82	2.75
	21.0	4.23	2.13	5.16	2.23	6.08	2.34	7.00	2.45	8.10	2.57	8.84	2.66	9.76	2.76
	22.0	4.18	2.14	5.10	2.25	6.02	2.35	6.94	2.46	8.05	2.58	8.78	2.67	9.71	2.77
	24.0	4.06	2.16	4.99	2.27	5.91	2.37	6.83	2.48	7.93	2.61	8.67	2.69	9.59	2.80
2.5+3.5	16.0	4.80	2.34	5.78	2.46	6.76	2.58	7.74	2.70	8.92	2.84	9.70	2.93	10.68	3.05
	18.0	4.68	2.36	5.66	2.48	6.64	2.60	7.62	2.72	8.80	2.86	9.58	2.96	10.56	3.08
	20.0	4.56	2.39	5.54	2.51	6.52	2.63	7.50	2.75	<b>8.68</b>	<b>2.89</b>	9.46	2.99	10.44	3.10
	21.0	4.50	2.40	5.48	2.52	6.46	2.64	7.44	2.76	8.62	2.90	9.40	3.00	10.38	3.12
	22.0	4.44	2.42	5.42	2.54	6.40	2.65	7.38	2.77	8.56	2.92	9.34	3.01	10.32	3.13
	24.0	4.32	2.44	5.30	2.56	6.28	2.68	7.26	2.80	8.44	2.94	9.22	3.04	9.75	2.86
2.5+5.0	16.0	5.68	2.69	6.84	2.83	8.00	2.97	9.16	3.11	10.55	3.27	11.48	3.38	12.64	3.52
	18.0	5.54	2.72	6.70	2.86	7.86	3.00	9.02	3.14	10.41	3.30	11.34	3.41	12.50	3.55
	20.0	5.40	2.75	6.56	2.89	7.72	3.03	8.88	3.17	<b>10.27</b>	<b>3.33</b>	11.20	3.44	11.91	3.28
	21.0	5.33	2.77	6.49	2.91	7.65	3.04	8.81	3.18	10.20	3.35	11.13	3.45	11.59	3.14
	22.0	5.26	2.78	6.42	2.92	7.58	3.06	8.74	3.20	10.13	3.36	11.06	3.47	11.26	3.00
	24.0	5.12	2.81	6.28	2.95	7.44	3.09	8.59	3.23	9.99	3.39	10.62	3.29	10.62	2.74
2.5+6.0	16.0	5.79	2.44	6.97	2.56	8.15	2.68	9.33	2.81	10.75	2.96	11.69	3.05	12.87	3.18
	18.0	5.64	2.46	6.82	2.59	8.01	2.71	9.19	2.83	10.60	2.98	11.55	3.08	12.73	3.21
	20.0	5.50	2.49	6.68	2.61	7.86	2.74	9.04	2.86	<b>10.46</b>	<b>3.01</b>	11.40	3.11	12.59	3.23
	21.0	5.43	2.50	6.61	2.63	7.79	2.75	8.97	2.87	10.39	3.02	11.33	3.12	12.51	3.25
	22.0	5.35	2.52	6.54	2.64	7.72	2.76	8.90	2.89	10.32	3.04	11.26	3.14	12.44	3.26
	24.0	5.21	2.54	6.39	2.67	7.57	2.79	8.75	2.92	10.17	3.06	11.12	3.16	12.30	3.29

3D056437

#### SYMBOLS

TC : Total cooling capacity (kW)  
PI : Power input (kW)

#### NOTES

- Capacities are based on following conditions  
Corresponding refrigerant piping length : 5m  
Level difference : 0m
- The bold line **□** is indicated the standard condition.
- The above is the value for connecting with the following indoor units.  
2.0, 2.5, 3.5, 5.0 kW class: wall mounted D series  
6.0 kW class: wall mounted F series

# 4 Capacity tables

## 4 - 3 Heating capacity tables

4

### 4MXS68F2V1B

Heating [50Hz 230V]

Combination (Capacity)	Outdoor air temp. °CDB	Indoor air temp.: °CWB													
		-15°C		-10°C		-5°C		0°C		6°C		10°C		15°C	
		TC kW	PI kW	TC kW	PI kW	TC kW	PI kW	TC kW	PI kW	TC kW	PI kW	TC kW	PI kW	TC kW	PI kW
2.0+2.0+3.5	16.0	5.86	2.33	6.81	2.45	7.96	2.57	9.12	2.69	10.50	2.83	11.43	2.92	12.58	3.04
	18.0	5.51	2.36	6.67	2.47	7.82	2.59	8.98	2.71	10.36	2.85	11.28	2.95	12.44	3.07
	20.0	5.37	2.38	6.53	2.50	7.68	2.62	8.84	2.74	<b>10.22</b>	<b>2.88</b>	11.14	2.97	12.30	3.09
	21.0	5.30	2.39	6.46	2.51	7.61	2.63	8.76	2.75	10.15	2.89	11.07	2.99	12.23	3.11
	22.0	5.23	2.41	6.39	2.53	7.54	2.65	8.69	2.76	10.08	2.91	11.00	3.00	12.16	3.12
	24.0	5.09	2.43	6.24	2.55	7.40	2.67	8.55	2.79	9.94	2.93	10.86	3.03	12.02	3.15
2.0+2.0+5.0	16.0	5.75	2.39	6.93	2.52	8.10	2.64	9.28	2.76	10.69	2.91	11.63	3.00	12.80	3.13
	18.0	5.61	2.42	6.79	2.54	7.96	2.67	9.13	2.79	10.54	2.93	11.48	3.03	12.66	3.15
	20.0	5.47	2.45	6.64	2.57	7.82	2.69	8.99	2.81	<b>10.40</b>	<b>2.96</b>	11.34	3.06	12.51	3.18
	21.0	5.40	2.46	6.57	2.58	7.74	2.71	8.92	2.83	10.33	2.97	11.27	3.07	12.44	3.19
	22.0	5.32	2.47	6.50	2.60	7.67	2.72	8.85	2.84	10.26	2.99	11.20	3.08	12.37	3.21
	24.0	5.18	2.50	6.35	2.62	7.53	2.75	8.70	2.87	10.11	3.01	11.05	3.11	12.23	3.23
2.0+2.0+6.0	16.0	5.83	2.16	7.02	2.27	8.20	2.38	9.39	2.49	10.82	2.62	11.77	2.71	12.96	2.82
	18.0	5.68	2.18	6.87	2.29	8.06	2.40	9.25	2.51	10.68	2.65	11.63	2.73	12.82	2.84
	20.0	5.54	2.21	6.73	2.32	7.91	2.43	9.10	2.54	<b>10.53</b>	<b>2.67</b>	11.48	2.76	12.67	2.87
	21.0	5.46	2.22	6.65	2.33	7.84	2.44	9.03	2.55	10.46	2.68	11.41	2.77	12.60	2.88
	22.0	5.39	2.23	6.58	2.34	7.77	2.45	8.96	2.56	10.38	2.69	11.34	2.78	12.52	2.89
	24.0	5.25	2.26	6.43	2.37	7.62	2.48	8.81	2.59	10.24	2.72	11.19	2.81	12.38	2.92
2.0+2.5+2.5	16.0	5.61	2.30	6.75	2.41	7.89	2.53	9.04	2.65	10.41	2.79	11.32	2.88	12.47	3.00
	18.0	5.47	2.32	6.61	2.44	7.75	2.56	8.90	2.67	10.27	2.81	11.18	2.91	12.33	3.02
	20.0	5.33	2.35	6.47	2.47	7.61	2.58	8.76	2.70	<b>10.13</b>	<b>2.84</b>	11.05	2.93	12.19	3.05
	21.0	5.26	2.36	6.40	2.48	7.54	2.60	8.69	2.71	10.06	2.85	10.98	2.95	12.12	3.06
	22.0	5.19	2.37	6.33	2.49	7.47	2.61	8.62	2.73	9.99	2.87	10.91	2.96	12.05	3.08
	24.0	5.05	2.40	6.19	2.52	7.33	2.63	8.48	2.75	9.85	2.89	10.77	2.98	11.91	3.10
2.0+2.5+3.5	16.0	5.66	2.33	6.81	2.45	7.96	2.57	9.12	2.69	10.50	2.83	11.43	2.92	12.58	3.04
	18.0	5.51	2.36	6.67	2.47	7.82	2.59	8.98	2.71	10.36	2.85	11.28	2.95	12.44	3.07
	20.0	5.37	2.38	6.53	2.50	7.68	2.62	8.84	2.74	<b>10.22</b>	<b>2.88</b>	11.14	2.97	12.30	3.09
	21.0	5.30	2.39	6.46	2.51	7.61	2.63	8.76	2.75	10.15	2.89	11.07	2.99	12.23	3.11
	22.0	5.23	2.41	6.39	2.53	7.54	2.65	8.69	2.76	10.08	2.91	11.00	3.00	12.16	3.12
	24.0	5.09	2.43	6.24	2.55	7.40	2.67	8.55	2.79	9.94	2.93	10.86	3.03	12.02	3.15
2.0+2.5+5.0	16.0	5.88	2.42	7.08	2.54	8.28	2.67	9.48	2.79	10.92	2.94	11.88	3.03	13.08	3.16
	18.0	5.74	2.45	6.94	2.57	8.14	2.69	9.34	2.82	10.78	2.96	11.74	3.06	12.94	3.18
	20.0	5.59	2.47	6.79	2.60	7.99	2.72	9.19	2.84	<b>10.63</b>	<b>2.99</b>	11.59	3.09	12.79	3.21
	21.0	5.52	2.49	6.72	2.61	7.92	2.73	9.12	2.86	10.56	3.00	11.52	3.10	12.72	3.23
	22.0	5.44	2.50	6.64	2.62	7.84	2.75	9.04	2.87	10.48	3.02	11.44	3.12	12.64	3.24
	24.0	5.30	2.53	6.50	2.65	7.70	2.77	8.90	2.90	10.34	3.04	11.30	3.14	12.50	3.27
2.0+2.5+6.0	16.0	5.89	2.14	7.09	2.24	8.29	2.35	9.49	2.46	10.93	2.59	11.89	2.68	13.10	2.79
	18.0	5.74	2.16	6.94	2.27	8.14	2.38	9.35	2.49	10.79	2.62	11.75	2.70	12.95	2.81
	20.0	5.59	2.18	6.80	2.29	8.00	2.40	9.20	2.51	<b>10.64</b>	<b>2.64</b>	11.60	2.73	12.80	2.84
	21.0	5.52	2.20	6.72	2.30	7.92	2.41	9.12	2.52	10.57	2.65	11.53	2.74	12.73	2.85
	22.0	5.45	2.21	6.65	2.32	7.85	2.42	9.05	2.53	10.49	2.66	11.45	2.75	12.66	2.86
	24.0	5.30	2.23	6.50	2.34	7.70	2.45	8.90	2.56	10.35	2.69	11.31	2.77	12.51	2.88

3D056438

### SYMBOLS

TC : Total cooling capacity (kW)  
PI : Power input (kW)

### NOTES

- Capacities are based on following conditions  
Corresponding refrigerant piping length : 5m  
Level difference : 0m
- The bold line  is indicated the standard condition.
- The above is the value for connecting with the following indoor units.  
2.0, 2.5, 3.5, 5.0 kW class: wall mounted D series  
6.0 kW class: wall mounted F series

# 4 Capacity tables

## 4 - 3 Heating capacity tables

4MXS68F2V1B Heating [50Hz 230V]															
Combination (Capacity)	Outdoor air temp. °CDB	Indoor air temp.: °CWB													
		-15°C		-10°C		-5°C		0°C		6°C		10°C		15°C	
		TC kW	PI kW	TC kW	PI kW	TC kW	PI kW	TC kW	PI kW	TC kW	PI kW	TC kW	PI kW	TC kW	PI kW
2.5+3.5+5.0	16.0	5.89	2.41	7.10	2.53	8.30	2.66	9.50	2.78	10.94	2.93	11.91	3.02	13.11	3.15
	18.0	5.75	2.44	6.95	2.56	8.15	2.68	9.35	2.81	10.80	2.95	11.76	3.05	12.98	3.17
	20.0	5.60	2.46	6.80	2.59	8.00	2.71	9.21	2.83	<b>10.65</b>	<b>2.98</b>	11.61	3.08	12.81	3.20
	21.0	5.53	2.48	6.73	2.60	7.93	2.72	9.13	2.85	10.58	2.99	11.54	3.09	12.74	3.21
	22.0	5.45	2.49	6.65	2.61	7.86	2.74	9.06	2.86	10.50	3.01	11.47	3.11	12.67	3.23
	24.0	5.31	2.52	6.51	2.64	7.71	2.76	8.91	2.89	10.36	3.03	11.32	3.13	12.52	3.25
3.5+3.5+3.5	16.0	5.88	2.45	7.08	2.58	8.28	2.70	9.48	2.83	10.92	2.98	11.88	3.08	13.08	3.20
	18.0	5.74	2.48	6.94	2.60	8.14	2.73	9.34	2.85	10.78	3.00	11.74	3.10	12.94	3.23
	20.0	5.59	2.51	6.79	2.63	7.99	2.76	9.19	2.88	<b>10.63</b>	<b>3.03</b>	11.59	3.13	12.79	3.25
	21.0	5.52	2.52	6.72	2.64	7.92	2.77	9.12	2.89	10.56	3.04	11.52	3.14	12.72	3.27
	22.0	5.44	2.53	6.64	2.66	7.84	2.78	9.04	2.91	10.48	3.06	11.44	3.16	12.64	3.28
	24.0	5.30	2.56	6.50	2.69	7.70	2.81	8.90	2.93	10.34	3.08	11.30	3.18	12.50	3.31
2.0+2.0+2.0+2.0	16.0	5.75	2.11	6.92	2.22	8.10	2.33	9.27	2.43	10.68	2.56	11.62	2.65	12.79	2.76
	18.0	5.61	2.14	6.78	2.24	7.95	2.35	9.13	2.46	10.53	2.59	11.47	2.67	12.65	2.78
	20.0	5.46	2.16	6.64	2.27	7.81	2.37	8.98	2.48	<b>10.39</b>	<b>2.61</b>	11.33	2.70	12.50	2.80
	21.0	5.39	2.17	6.56	2.28	7.74	2.39	8.91	2.49	10.32	2.62	11.26	2.71	12.43	2.82
	22.0	5.32	2.18	6.49	2.29	7.67	2.40	8.84	2.50	10.25	2.63	11.19	2.72	12.36	2.83
	24.0	5.18	2.21	6.35	2.31	7.52	2.42	8.70	2.53	10.10	2.66	11.04	2.74	12.21	2.85
2.0+2.0+2.0+2.5	16.0	5.80	2.08	6.98	2.19	8.17	2.29	9.35	2.40	10.77	2.52	11.72	2.61	12.90	2.71
	18.0	5.65	2.10	6.84	2.21	8.02	2.31	9.20	2.42	10.62	2.55	11.57	2.63	12.75	2.74
	20.0	5.51	2.13	6.69	2.23	7.88	2.34	9.06	2.44	<b>10.48</b>	<b>2.57</b>	11.43	2.65	12.61	2.76
	21.0	5.44	2.14	6.62	2.24	7.80	2.35	8.98	2.45	10.41	2.58	11.35	2.67	12.54	2.77
	22.0	5.37	2.15	6.55	2.25	7.73	2.36	8.92	2.47	10.34	2.59	11.28	2.68	12.47	2.78
	24.0	5.22	2.17	6.40	2.28	7.59	2.38	8.77	2.49	10.19	2.62	11.14	2.70	12.32	2.81
2.0+2.0+2.0+3.5	16.0	5.85	2.13	7.05	2.24	8.24	2.34	9.44	2.45	10.87	2.58	11.83	2.67	13.02	2.78
	18.0	5.71	2.15	6.90	2.26	8.10	2.37	9.29	2.48	10.73	2.61	11.68	2.69	12.88	2.80
	20.0	5.56	2.18	6.76	2.28	7.95	2.39	9.15	2.50	<b>10.58</b>	<b>2.63</b>	11.54	2.72	12.73	2.82
	21.0	5.49	2.19	6.68	2.30	7.88	2.40	9.07	2.51	10.51	2.64	11.46	2.73	12.66	2.84
	22.0	5.42	2.20	6.61	2.31	7.81	2.42	9.00	2.52	10.43	2.65	11.39	2.74	12.58	2.85
	24.0	5.27	2.22	6.48	2.33	7.66	2.44	8.85	2.55	10.29	2.68	11.24	2.76	12.44	2.87
2.0+2.0+2.0+5.0	16.0	5.89	2.05	7.10	2.16	8.30	2.26	9.50	2.37	10.94	2.49	11.91	2.58	13.11	2.68
	18.0	5.75	2.08	6.95	2.18	8.15	2.29	9.35	2.39	10.80	2.52	11.76	2.60	12.96	2.71
	20.0	5.60	2.10	6.80	2.21	8.00	2.31	9.21	2.41	<b>10.65</b>	<b>2.54</b>	11.61	2.62	12.81	2.73
	21.0	5.53	2.11	6.73	2.22	7.93	2.32	9.13	2.43	10.58	2.55	11.54	2.64	12.74	2.74
	22.0	5.45	2.12	6.65	2.23	7.86	2.33	9.06	2.44	10.50	2.56	11.47	2.65	12.67	2.75
	24.0	5.31	2.15	6.51	2.25	7.71	2.36	8.91	2.46	10.36	2.59	11.32	2.67	12.52	2.77
2.0+2.0+2.5+2.5	16.0	5.80	2.08	6.99	2.19	8.17	2.29	9.36	2.40	10.78	2.52	11.73	2.61	12.91	2.71
	18.0	5.66	2.10	6.84	2.21	8.03	2.31	9.21	2.42	10.63	2.55	11.58	2.63	12.77	2.74
	20.0	5.52	2.13	6.70	2.23	7.88	2.34	9.07	2.44	<b>10.49</b>	<b>2.57</b>	11.44	2.65	12.62	2.76
	21.0	5.44	2.14	6.63	2.24	7.81	2.35	9.00	2.45	10.42	2.58	11.37	2.67	12.55	2.77
	22.0	5.37	2.15	6.55	2.25	7.74	2.36	8.92	2.47	10.35	2.59	11.29	2.68	12.48	2.78
	24.0	5.23	2.17	6.41	2.28	7.59	2.38	8.78	2.49	10.20	2.62	11.15	2.70	12.33	2.81

3D056439

### SYMBOLS

TC : Total cooling capacity (kW)  
PI : Power input (kW)

### NOTES

- Capacities are based on following conditions  
Corresponding refrigerant piping length : 5m  
Level difference : 0m
- The bold line  is indicated the standard condition.
- The above is the value for connecting with the following indoor units.  
2.0, 2.5, 3.5, 5.0 kW class: wall mounted D series  
6.0 kW class: wall mounted F series

# 4 Capacity tables

## 4 - 3 Heating capacity tables

4

### 4MXS68F2V1B

#### Heating [50Hz 230V]

Combination (Capacity)	Outdoor air temp. °CDB	Indoor air temp.: °CWB													
		-15°C		-10°C		-5°C		0°C		6°C		10°C		15°C	
		TC kW	PI kW	TC kW	PI kW	TC kW	PI kW	TC kW	PI kW	TC kW	PI kW	TC kW	PI kW	TC kW	PI kW
2.0+3.5	16.0	4.62	2.14	5.56	2.24	6.50	2.35	7.44	2.46	8.57	2.59	9.32	2.68	10.27	2.79
	18.0	4.50	2.16	5.44	2.27	6.38	2.38	7.33	2.49	8.46	2.62	9.21	2.70	10.15	2.81
	20.0	4.38	2.18	5.33	2.29	6.27	2.40	7.21	2.51	<b>8.34</b>	<b>2.64</b>	9.09	2.73	10.04	2.84
	21.0	4.33	2.20	5.27	2.30	6.21	2.41	7.15	2.52	8.28	2.65	9.04	2.74	9.98	2.95
	22.0	4.27	2.21	5.21	2.32	6.15	2.42	7.09	2.53	8.22	2.66	8.98	2.75	9.92	2.96
	24.0	4.15	2.23	5.10	2.34	6.04	2.45	6.98	2.56	8.11	2.69	8.86	2.77	9.75	2.85
2.0+5.0	16.0	5.62	2.35	6.77	2.47	7.92	2.59	9.06	2.71	10.44	2.86	11.36	2.95	12.51	3.07
	18.0	5.48	2.38	6.63	2.50	7.78	2.62	8.92	2.74	10.30	2.88	11.22	2.98	12.37	3.10
	20.0	5.34	2.41	6.49	2.53	7.64	2.65	8.78	2.77	<b>10.16</b>	<b>2.91</b>	11.08	3.01	11.91	2.95
	21.0	5.27	2.42	6.42	2.54	7.57	2.66	8.71	2.78	10.09	2.92	11.01	3.02	11.59	2.93
	22.0	5.20	2.43	6.35	2.55	7.50	2.67	8.64	2.79	10.02	2.94	10.94	3.03	11.26	2.71
	24.0	5.06	2.46	6.21	2.58	7.36	2.70	8.50	2.82	9.88	2.96	10.62	2.95	10.62	2.49
2.0+6.0	16.0	5.72	2.41	6.89	2.53	8.06	2.66	9.22	2.78	10.63	2.93	11.56	3.02	12.73	3.15
	18.0	5.58	2.44	6.75	2.56	7.91	2.68	9.08	2.81	10.48	2.95	11.42	3.05	12.58	3.17
	20.0	5.44	2.46	6.60	2.59	7.77	2.71	8.94	2.83	<b>10.34</b>	<b>2.98</b>	11.27	3.08	12.44	3.20
	21.0	5.36	2.48	6.53	2.60	7.70	2.72	8.87	2.85	10.27	2.99	11.20	3.09	12.37	3.21
	22.0	5.29	2.49	6.46	2.61	7.63	2.74	8.80	2.86	10.20	3.01	11.13	3.11	12.30	3.23
	24.0	5.15	2.52	6.32	2.64	7.49	2.76	8.65	2.89	10.05	3.03	10.99	3.13	12.16	3.25
2.5+2.5	16.0	4.52	2.07	5.44	2.18	6.36	2.28	7.28	2.39	8.39	2.51	9.12	2.60	10.04	2.70
	18.0	4.40	2.09	5.32	2.20	6.25	2.31	7.17	2.41	8.27	2.54	9.01	2.62	9.93	2.73
	20.0	4.29	2.12	5.21	2.22	6.13	2.33	7.05	2.43	<b>8.16</b>	<b>2.56</b>	8.90	2.64	9.82	2.75
	21.0	4.23	2.13	5.16	2.23	6.08	2.34	7.00	2.45	8.10	2.57	8.84	2.66	9.76	2.76
	22.0	4.18	2.14	5.10	2.25	6.02	2.35	6.94	2.46	8.05	2.58	8.78	2.67	9.71	2.77
	24.0	4.06	2.16	4.99	2.27	5.91	2.37	6.83	2.48	7.93	2.61	8.67	2.69	9.59	2.80
2.5+3.5	16.0	4.80	2.34	5.78	2.46	6.76	2.58	7.74	2.70	8.92	2.84	9.70	2.93	10.68	3.05
	18.0	4.68	2.36	5.66	2.48	6.64	2.60	7.62	2.72	8.80	2.86	9.58	2.96	10.56	3.08
	20.0	4.56	2.39	5.54	2.51	6.52	2.63	7.50	2.75	<b>8.68</b>	<b>2.89</b>	9.46	2.99	10.44	3.10
	21.0	4.50	2.40	5.48	2.52	6.46	2.64	7.44	2.76	8.62	2.90	9.40	3.00	10.38	3.12
	22.0	4.44	2.42	5.42	2.54	6.40	2.65	7.38	2.77	8.56	2.92	9.34	3.01	10.32	3.13
	24.0	4.32	2.44	5.30	2.56	6.28	2.68	7.26	2.80	8.44	2.94	9.22	3.04	9.75	2.86
2.5+5.0	16.0	5.69	2.40	6.85	2.53	8.01	2.65	9.17	2.77	10.56	2.92	11.49	3.01	12.65	3.14
	18.0	5.55	2.43	6.71	2.55	7.87	2.67	9.03	2.80	10.42	2.94	11.35	3.04	12.51	3.16
	20.0	5.40	2.46	6.57	2.58	7.73	2.70	8.89	2.82	<b>10.28</b>	<b>2.97</b>	11.21	3.07	11.91	2.94
	21.0	5.33	2.47	6.49	2.59	7.66	2.71	8.82	2.84	10.21	2.98	11.14	3.08	11.59	2.92
	22.0	5.26	2.48	6.42	2.61	7.58	2.73	8.75	2.85	10.14	3.00	11.07	3.09	11.26	2.70
	24.0	5.12	2.51	6.28	2.63	7.44	2.75	8.60	2.88	10.00	3.02	10.62	2.94	10.62	2.48
2.5+6.0	16.0	5.79	2.44	6.97	2.56	8.15	2.68	9.33	2.81	10.75	2.96	11.69	3.05	12.87	3.18
	18.0	5.64	2.46	6.82	2.59	8.01	2.71	9.19	2.83	10.60	2.98	11.55	3.08	12.73	3.21
	20.0	5.50	2.49	6.68	2.61	7.86	2.74	9.04	2.86	<b>10.46</b>	<b>3.01</b>	11.40	3.11	12.59	3.23
	21.0	5.43	2.50	6.61	2.63	7.79	2.75	8.97	2.87	10.39	3.02	11.33	3.12	12.51	3.25
	22.0	5.35	2.52	6.54	2.64	7.72	2.76	8.90	2.89	10.32	3.04	11.26	3.14	12.44	3.26
	24.0	5.21	2.54	6.39	2.67	7.57	2.79	8.75	2.92	10.17	3.06	11.12	3.16	12.30	3.29

3D056445

#### SYMBOLS

TC : Total cooling capacity (kW)  
PI : Power input (kW)

#### NOTES

- Capacities are based on following conditions  
Corresponding refrigerant piping length : 5m  
Level difference : 0m
- The bold line **□** is indicated the standard condition.
- The above is the value for connecting with the following indoor units.  
2.0, 2.5, 3.5 kW class: wall mounted D series  
5.0, 6.0 kW class: wall mounted F series

# 4 Capacity tables

## 4 - 3 Heating capacity tables

4MXS68F2V1B															
Heating [50Hz 230V]															
Combination (Capacity)	Outdoor air temp. °CDB	Indoor air temp.: °CWB													
		-15°C		-10°C		-5°C		0°C		6°C		10°C		15°C	
		TC kW	PI kW	TC kW	PI kW	TC kW	PI kW	TC kW	PI kW	TC kW	PI kW	TC kW	PI kW	TC kW	PI kW
2.0+2.0+3.5	16.0	5.88	2.33	6.81	2.45	7.96	2.57	9.12	2.69	10.50	2.83	11.43	2.92	12.58	3.04
	18.0	5.51	2.36	6.67	2.47	7.82	2.59	8.98	2.71	10.36	2.85	11.28	2.95	12.44	3.07
	20.0	5.37	2.38	6.53	2.50	7.68	2.62	8.84	2.74	<b>10.22</b>	<b>2.88</b>	11.14	2.97	12.30	3.09
	21.0	5.30	2.39	6.46	2.51	7.61	2.63	8.76	2.75	10.15	2.89	11.07	2.99	12.23	3.11
	22.0	5.23	2.41	6.39	2.53	7.54	2.65	8.69	2.76	10.08	2.91	11.00	3.00	12.16	3.12
	24.0	5.09	2.43	6.24	2.55	7.40	2.67	8.55	2.79	9.94	2.93	10.86	3.03	12.02	3.15
2.0+2.0+5.0	16.0	5.77	2.16	6.94	2.27	8.12	2.38	9.30	2.49	10.71	2.62	11.65	2.71	12.83	2.82
	18.0	5.62	2.18	6.80	2.29	7.98	2.40	9.15	2.51	10.56	2.65	11.51	2.73	12.68	2.84
	20.0	5.48	2.21	6.65	2.32	7.83	2.43	9.01	2.54	<b>10.42</b>	<b>2.67</b>	11.36	2.76	12.54	2.87
	21.0	5.41	2.22	6.58	2.33	7.76	2.44	8.94	2.55	10.35	2.68	11.29	2.77	12.47	2.88
	22.0	5.33	2.23	6.51	2.34	7.69	2.45	8.86	2.56	10.28	2.69	11.22	2.78	12.39	2.89
	24.0	5.19	2.26	6.37	2.37	7.54	2.48	8.72	2.59	10.13	2.72	11.07	2.81	12.25	2.92
2.0+2.0+6.0	16.0	5.83	2.16	7.02	2.27	8.20	2.38	9.39	2.49	10.82	2.62	11.77	2.71	12.96	2.82
	18.0	5.68	2.18	6.87	2.29	8.06	2.40	9.25	2.51	10.68	2.65	11.63	2.73	12.82	2.84
	20.0	5.54	2.21	6.73	2.32	7.91	2.43	9.10	2.54	<b>10.53</b>	<b>2.67</b>	11.48	2.76	12.67	2.87
	21.0	5.46	2.22	6.65	2.33	7.84	2.44	9.03	2.55	10.46	2.68	11.41	2.77	12.60	2.88
	22.0	5.39	2.23	6.58	2.34	7.77	2.45	8.96	2.56	10.38	2.69	11.34	2.78	12.52	2.89
	24.0	5.25	2.26	6.43	2.37	7.62	2.48	8.81	2.59	10.24	2.72	11.19	2.81	12.38	2.92
2.0+2.5+2.5	16.0	5.61	2.30	6.75	2.41	7.89	2.53	9.04	2.65	10.41	2.79	11.32	2.88	12.47	3.00
	18.0	5.47	2.32	6.61	2.44	7.75	2.56	8.90	2.67	10.27	2.81	11.18	2.91	12.33	3.02
	20.0	5.33	2.35	6.47	2.47	7.61	2.58	8.76	2.70	<b>10.13</b>	<b>2.84</b>	11.05	2.93	12.19	3.05
	21.0	5.26	2.36	6.40	2.48	7.54	2.60	8.69	2.71	10.06	2.85	10.98	2.95	12.12	3.06
	22.0	5.19	2.37	6.33	2.49	7.47	2.61	8.62	2.73	9.99	2.87	10.91	2.96	12.05	3.08
	24.0	5.05	2.40	6.19	2.52	7.33	2.63	8.48	2.75	9.85	2.89	10.77	2.98	11.91	3.10
2.0+2.5+3.5	16.0	5.88	2.33	6.81	2.45	7.96	2.57	9.12	2.69	10.50	2.83	11.43	2.92	12.58	3.04
	18.0	5.51	2.36	6.67	2.47	7.82	2.59	8.98	2.71	10.36	2.85	11.28	2.95	12.44	3.07
	20.0	5.37	2.38	6.53	2.50	7.68	2.62	8.84	2.74	<b>10.22</b>	<b>2.88</b>	11.14	2.97	12.30	3.09
	21.0	5.30	2.39	6.46	2.51	7.61	2.63	8.76	2.75	10.15	2.89	11.07	2.99	12.23	3.11
	22.0	5.23	2.41	6.39	2.53	7.54	2.65	8.69	2.76	10.08	2.91	11.00	3.00	12.16	3.12
	24.0	5.09	2.43	6.24	2.55	7.40	2.67	8.55	2.79	9.94	2.93	10.86	3.03	12.02	3.15
2.0+2.5+5.0	16.0	5.90	2.18	7.10	2.29	8.31	2.40	9.51	2.51	10.95	2.64	11.92	2.73	13.12	2.84
	18.0	5.75	2.20	6.96	2.31	8.18	2.42	9.36	2.53	10.81	2.67	11.77	2.75	12.97	2.87
	20.0	5.60	2.22	6.81	2.34	8.01	2.45	9.22	2.56	<b>10.66</b>	<b>2.69</b>	11.62	2.78	12.83	2.89
	21.0	5.53	2.24	6.73	2.35	7.94	2.46	9.14	2.57	10.59	2.70	11.55	2.79	12.75	2.90
	22.0	5.46	2.25	6.66	2.36	7.86	2.47	9.07	2.58	10.51	2.71	11.48	2.80	12.68	2.91
	24.0	5.31	2.27	6.51	2.38	7.72	2.49	8.92	2.61	10.37	2.74	11.33	2.83	12.53	2.94
2.0+2.5+6.0	16.0	5.89	2.14	7.09	2.24	8.29	2.35	9.49	2.46	10.93	2.59	11.89	2.68	13.10	2.79
	18.0	5.74	2.16	6.94	2.27	8.14	2.38	9.35	2.49	10.79	2.62	11.75	2.70	12.95	2.81
	20.0	5.59	2.18	6.80	2.29	8.00	2.40	9.20	2.51	<b>10.64</b>	<b>2.64</b>	11.60	2.73	12.80	2.84
	21.0	5.52	2.20	6.72	2.30	7.92	2.41	9.12	2.52	10.57	2.65	11.53	2.74	12.73	2.85
	22.0	5.45	2.21	6.65	2.32	7.85	2.42	9.05	2.53	10.49	2.66	11.45	2.75	12.66	2.86
	24.0	5.30	2.23	6.50	2.34	7.70	2.45	8.90	2.56	10.35	2.69	11.31	2.77	12.51	2.88

3D056446

### SYMBOLS

TC : Total cooling capacity (kW)  
PI : Power input (kW)

### NOTES

- Capacities are based on following conditions  
Corresponding refrigerant piping length : 5m  
Level difference : 0m
- The bold line  is indicated the standard condition.
- The above is the value for connecting with the following indoor units.  
2.0, 2.5, 3.5 kW class: wall mounted D series  
5.0, 6.0 kW class: wall mounted F series



# 4 Capacity tables

## 4 - 3 Heating capacity tables

4

### 4MXS68F2V1B

#### Heating [50Hz 230V]

Combination (Capacity)	Outdoor air temp. °CDB	Indoor air temp.: °CWB													
		-15°C		-10°C		-5°C		0°C		6°C		10°C		15°C	
		TC kW	PI kW	TC kW	PI kW	TC kW	PI kW	TC kW	PI kW	TC kW	PI kW	TC kW	PI kW	TC kW	PI kW
2.5+3.5+5.0	16.0	5.90	2.18	7.11	2.29	8.31	2.40	9.52	2.51	10.96	2.64	11.93	2.73	13.13	2.84
	18.0	5.76	2.20	6.96	2.31	8.17	2.42	9.37	2.53	10.82	2.67	11.78	2.75	12.99	2.87
	20.0	5.61	2.22	6.81	2.34	8.02	2.45	9.22	2.56	<b>10.67</b>	<b>2.69</b>	11.63	2.78	12.84	2.89
	21.0	5.54	2.24	6.74	2.35	7.95	2.46	9.15	2.57	10.60	2.70	11.56	2.79	12.77	2.90
	22.0	5.46	2.25	6.67	2.36	7.87	2.47	9.08	2.58	10.52	2.71	11.49	2.80	12.69	2.91
	24.0	5.32	2.27	6.52	2.38	7.72	2.49	8.93	2.61	10.38	2.74	11.34	2.83	12.54	2.94
3.5+3.5+3.5	16.0	5.88	2.45	7.08	2.58	8.28	2.70	9.48	2.83	10.92	2.98	11.88	3.08	13.08	3.20
	18.0	5.74	2.48	6.94	2.60	8.14	2.73	9.34	2.85	10.78	3.00	11.74	3.10	12.94	3.23
	20.0	5.59	2.51	6.79	2.63	7.99	2.76	9.19	2.88	<b>10.63</b>	<b>3.03</b>	11.59	3.13	12.79	3.25
	21.0	5.52	2.52	6.72	2.64	7.92	2.77	9.12	2.89	10.56	3.04	11.52	3.14	12.72	3.27
	22.0	5.44	2.53	6.64	2.66	7.84	2.78	9.04	2.91	10.48	3.06	11.44	3.16	12.64	3.28
	24.0	5.30	2.56	6.50	2.69	7.70	2.81	8.90	2.93	10.34	3.08	11.30	3.18	12.50	3.31
2.0+2.0+2.0+2.0	16.0	5.75	2.11	6.92	2.22	8.10	2.33	9.27	2.43	10.68	2.56	11.62	2.65	12.79	2.76
	18.0	5.61	2.14	6.78	2.24	7.95	2.35	9.13	2.46	10.53	2.59	11.47	2.67	12.65	2.78
	20.0	5.46	2.16	6.64	2.27	7.81	2.37	8.98	2.48	<b>10.39</b>	<b>2.61</b>	11.33	2.70	12.50	2.80
	21.0	5.39	2.17	6.56	2.28	7.74	2.39	8.91	2.49	10.32	2.62	11.26	2.71	12.43	2.82
	22.0	5.32	2.18	6.49	2.29	7.67	2.40	8.84	2.50	10.25	2.63	11.19	2.72	12.36	2.83
	24.0	5.18	2.21	6.35	2.31	7.52	2.42	8.70	2.53	10.10	2.66	11.04	2.74	12.21	2.85
2.0+2.0+2.0+2.5	16.0	5.80	2.08	6.98	2.19	8.17	2.29	9.35	2.40	10.77	2.52	11.72	2.61	12.90	2.71
	18.0	5.65	2.10	6.84	2.21	8.02	2.31	9.20	2.42	10.62	2.55	11.57	2.63	12.75	2.74
	20.0	5.51	2.13	6.69	2.23	7.88	2.34	9.06	2.44	<b>10.48</b>	<b>2.57</b>	11.43	2.65	12.61	2.76
	21.0	5.44	2.14	6.62	2.24	7.80	2.35	8.99	2.45	10.41	2.58	11.35	2.67	12.54	2.77
	22.0	5.37	2.15	6.55	2.25	7.73	2.36	8.92	2.47	10.34	2.59	11.28	2.68	12.47	2.78
	24.0	5.22	2.17	6.40	2.28	7.59	2.38	8.77	2.49	10.19	2.62	11.14	2.70	12.32	2.81
2.0+2.0+2.0+3.5	16.0	5.85	2.13	7.05	2.24	8.24	2.34	9.44	2.45	10.87	2.58	11.83	2.67	13.02	2.78
	18.0	5.71	2.15	6.90	2.26	8.10	2.37	9.29	2.48	10.73	2.61	11.68	2.69	12.88	2.80
	20.0	5.56	2.18	6.76	2.28	7.95	2.39	9.15	2.50	<b>10.58</b>	<b>2.63</b>	11.54	2.72	12.73	2.82
	21.0	5.49	2.19	6.68	2.30	7.88	2.40	9.07	2.51	10.51	2.64	11.46	2.73	12.66	2.84
	22.0	5.42	2.20	6.61	2.31	7.81	2.42	9.00	2.52	10.43	2.65	11.39	2.74	12.58	2.85
	24.0	5.27	2.22	6.46	2.33	7.66	2.44	8.85	2.55	10.28	2.68	11.24	2.76	12.44	2.87
2.0+2.0+2.0+5.0	16.0	5.91	1.98	7.12	2.08	8.32	2.18	9.53	2.28	10.97	2.41	11.94	2.49	13.15	2.59
	18.0	5.76	2.00	6.97	2.11	8.17	2.21	9.38	2.31	10.83	2.43	11.79	2.51	13.00	2.61
	20.0	5.61	2.03	6.82	2.13	8.03	2.23	9.23	2.33	<b>10.68</b>	<b>2.45</b>	11.64	2.53	12.85	2.63
	21.0	5.54	2.04	6.75	2.14	7.95	2.24	9.16	2.34	10.61	2.46	11.57	2.54	12.78	2.64
	22.0	5.47	2.05	6.67	2.15	7.88	2.25	9.09	2.35	10.53	2.47	11.50	2.55	12.70	2.65
	24.0	5.32	2.07	6.53	2.17	7.73	2.27	8.94	2.37	10.39	2.49	11.35	2.57	12.56	2.68
2.0+2.0+2.5+2.5	16.0	5.80	2.08	6.99	2.19	8.17	2.29	9.36	2.40	10.78	2.52	11.73	2.61	12.91	2.71
	18.0	5.66	2.10	6.84	2.21	8.03	2.31	9.21	2.42	10.63	2.55	11.58	2.63	12.77	2.74
	20.0	5.52	2.13	6.70	2.23	7.88	2.34	9.07	2.44	<b>10.49</b>	<b>2.57</b>	11.44	2.65	12.62	2.76
	21.0	5.44	2.14	6.63	2.24	7.81	2.35	9.00	2.45	10.42	2.58	11.37	2.67	12.55	2.77
	22.0	5.37	2.15	6.55	2.25	7.74	2.36	8.92	2.47	10.35	2.59	11.29	2.68	12.48	2.78
	24.0	5.23	2.17	6.41	2.28	7.59	2.38	8.78	2.49	10.20	2.62	11.15	2.70	12.33	2.81

3D056447

#### SYMBOLS

TC : Total cooling capacity (kW)  
PI : Power input (kW)

#### NOTES

- Capacities are based on following conditions  
Corresponding refrigerant piping length : 5m  
Level difference : 0m
- The bold line **□** is indicated the standard condition.
- The above is the value for connecting with the following indoor units.  
2.0, 2.5, 3.5 kW class: wall mounted D series  
5.0, 6.0 kW class: wall mounted F series

# 5 Dimensional drawing & centre of gravity

## 5 - 1 Dimensional drawing

**2MXS40FV1B**

**Minimum space for air passage**  
Wall height on air outlet side = less than 1200

4-holes for anchor bolts (M8 or M10)

Drain outlet (I.D.  $\phi$  15.9 hose for connection)

Handle

Brand name label

2-Terminal strip with earth terminal

Service port

Name plate

<room A> Liquid stop valve ( $\phi$  6.4 Cut)

Gas stop valve ( $\phi$  9.5 Cut)

Outdoor air thermistor

<room B> Liquid stop valve ( $\phi$  6.4 Cut)

Gas stop valve ( $\phi$  9.5 Cut)

In case of removing stop valve cover

3D054872

**2MXS50FV1B**

**Minimum space for air passage**  
Wall height on air outlet side = less than 1200

4-holes for anchor bolts (M8 or M10)

Drain outlet (I.D.  $\phi$  15.9 hose for connection)

Handle

Brand name label

2-Terminal strip with earth terminal

Service port

Name plate

<room A> Liquid stop valve ( $\phi$  6.4 Cut)

Gas stop valve ( $\phi$  9.5 Cut)

Outdoor thermistor

<room B> Liquid stop valve ( $\phi$  6.4 Cut)

Gas stop valve ( $\phi$  9.5 Cut)

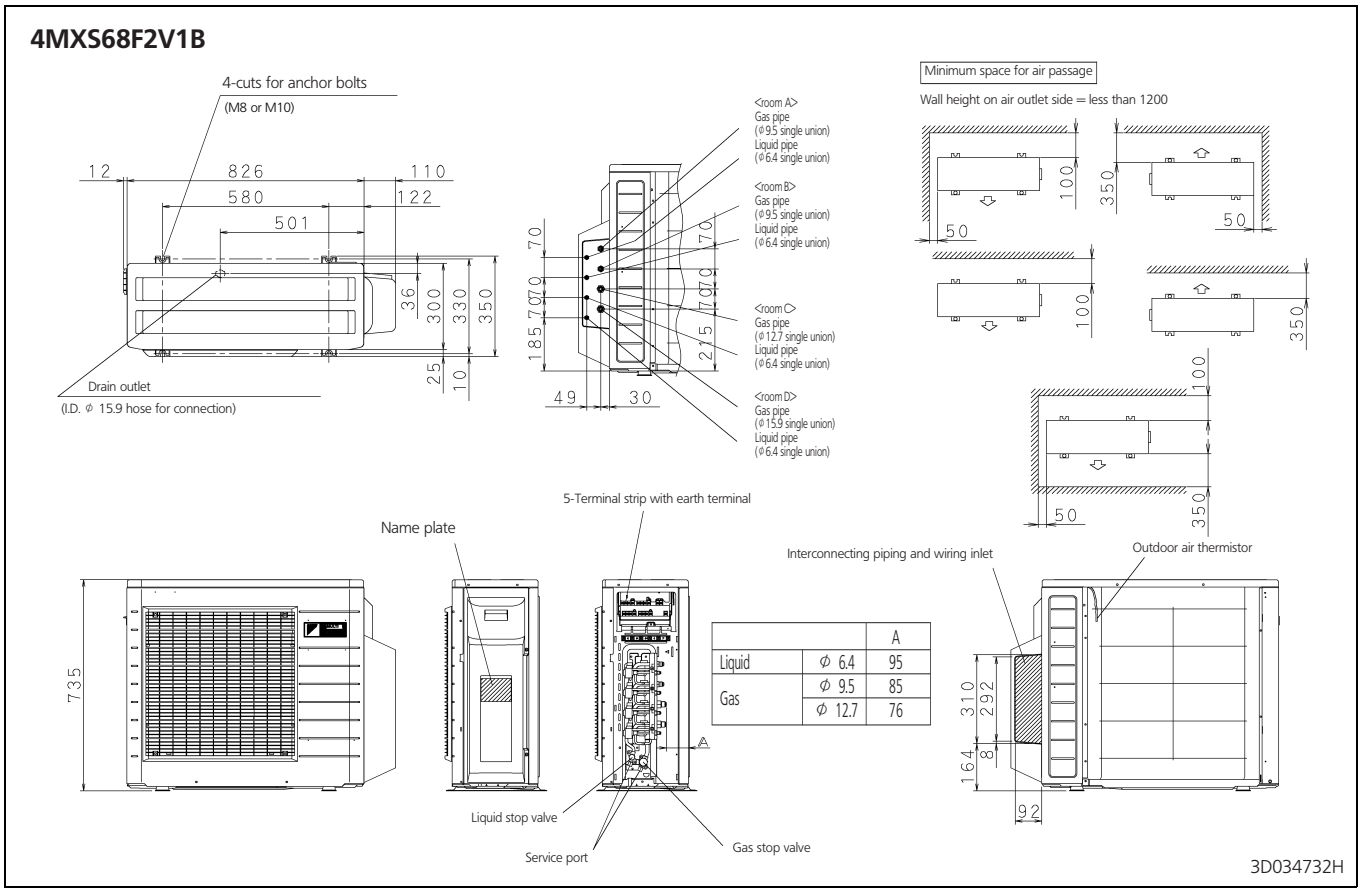
In case of removing stop valve cover

3D057066

# 5 Dimensional drawing & centre of gravity

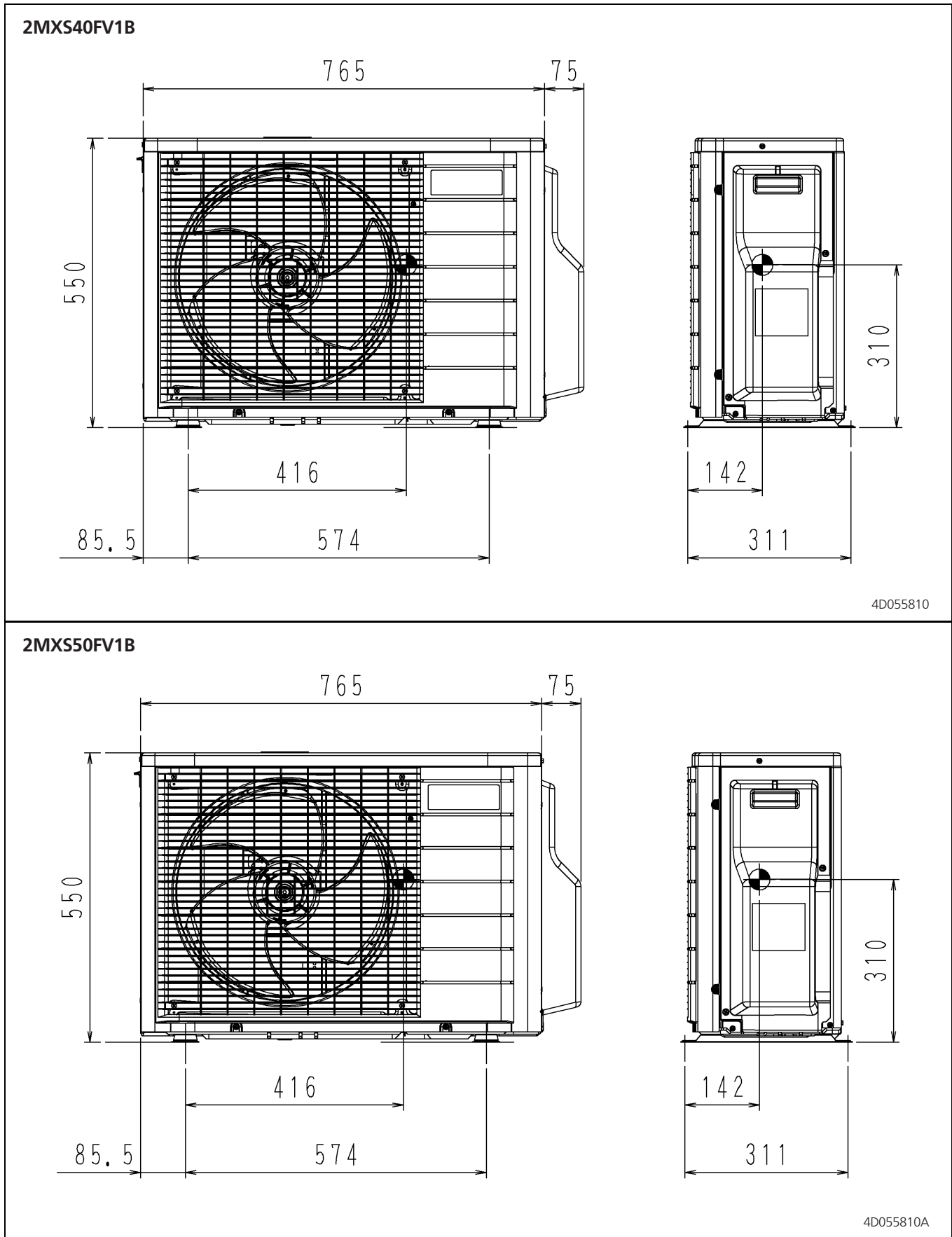
## 5 - 1 Dimensional drawing

5



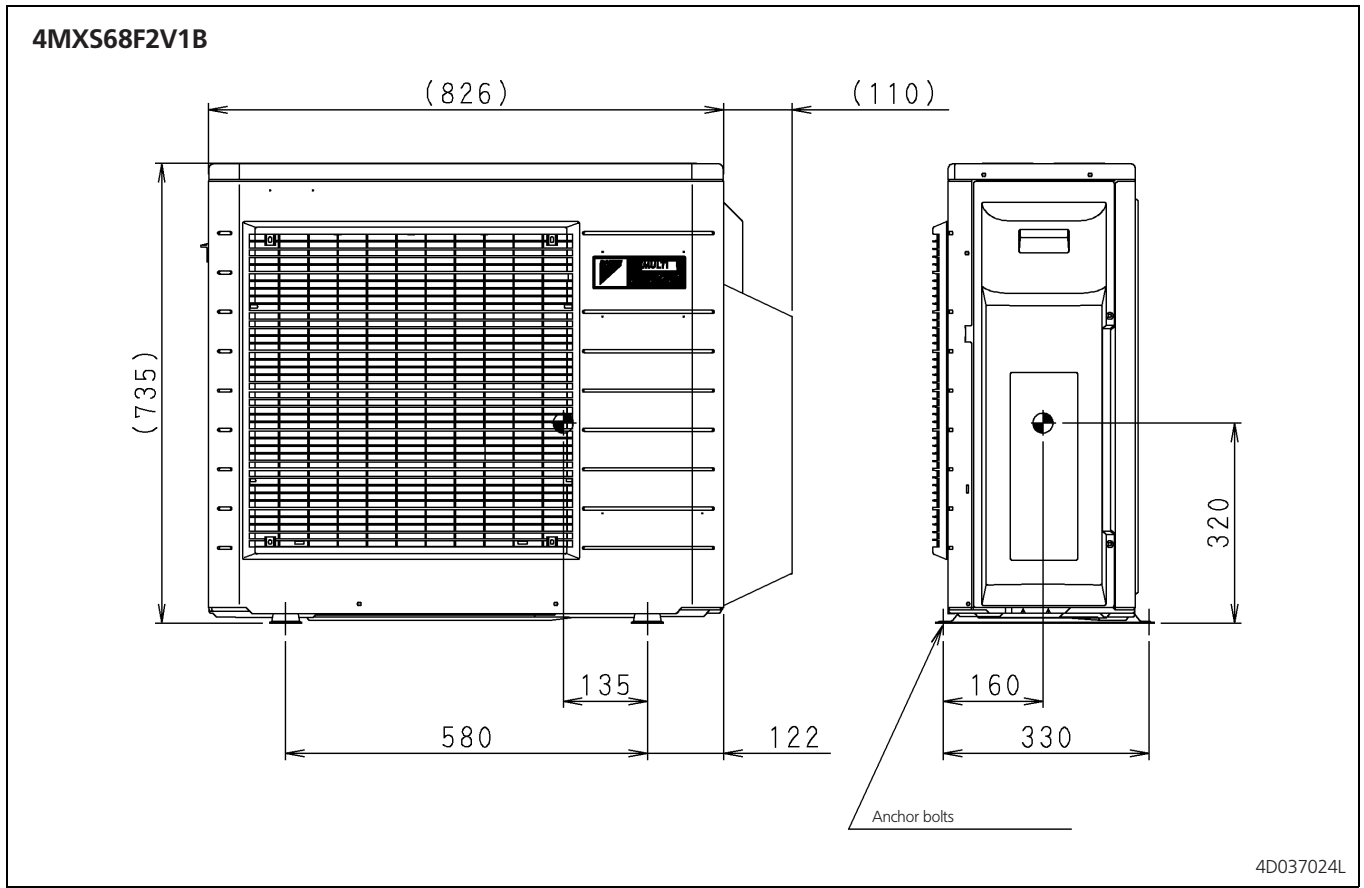
## 5 Dimensional drawing & centre of gravity

### 5 - 2 Centre of gravity



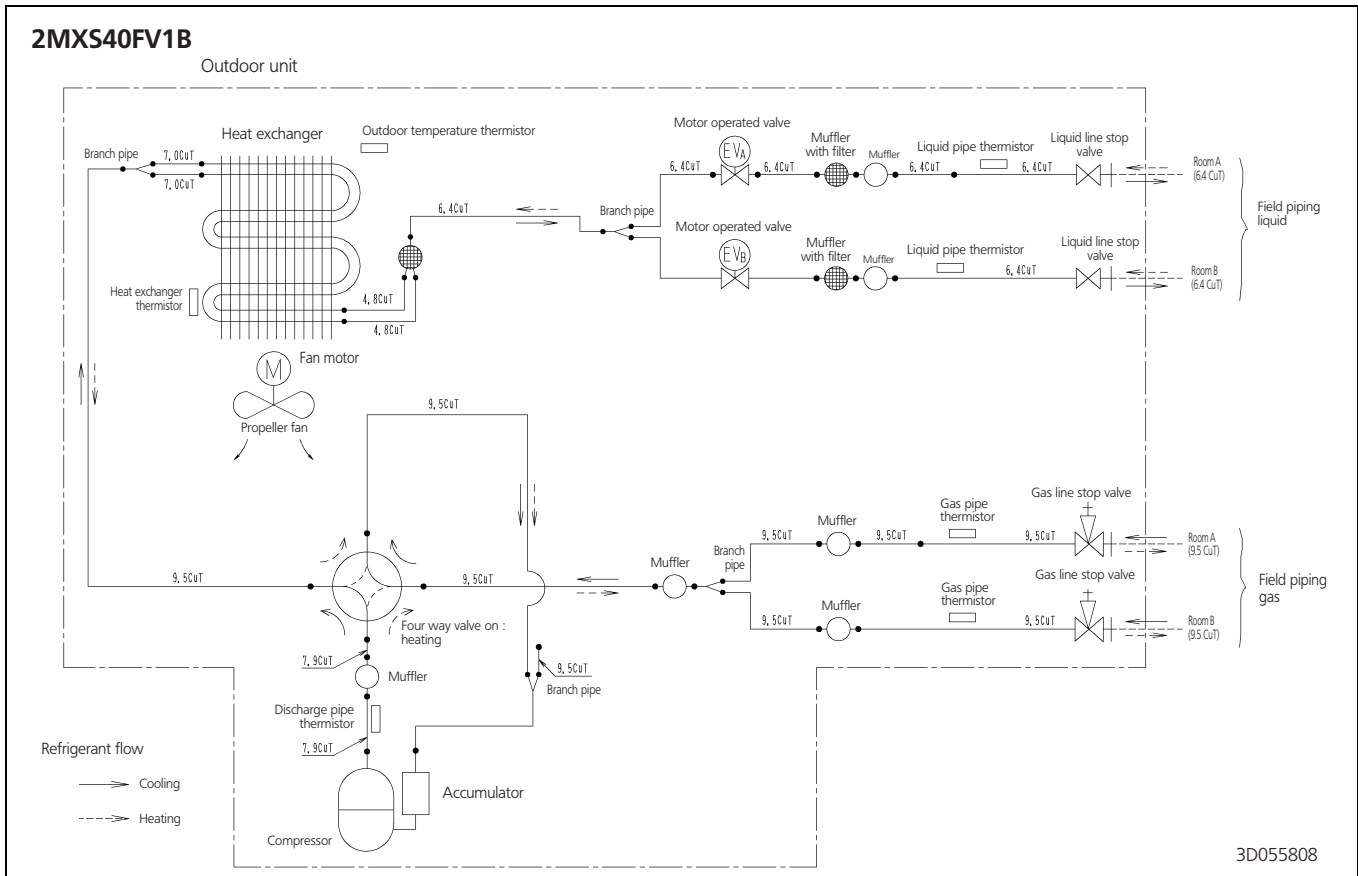
## 5 Dimensional drawing & centre of gravity

### 5 - 2 Centre of gravity

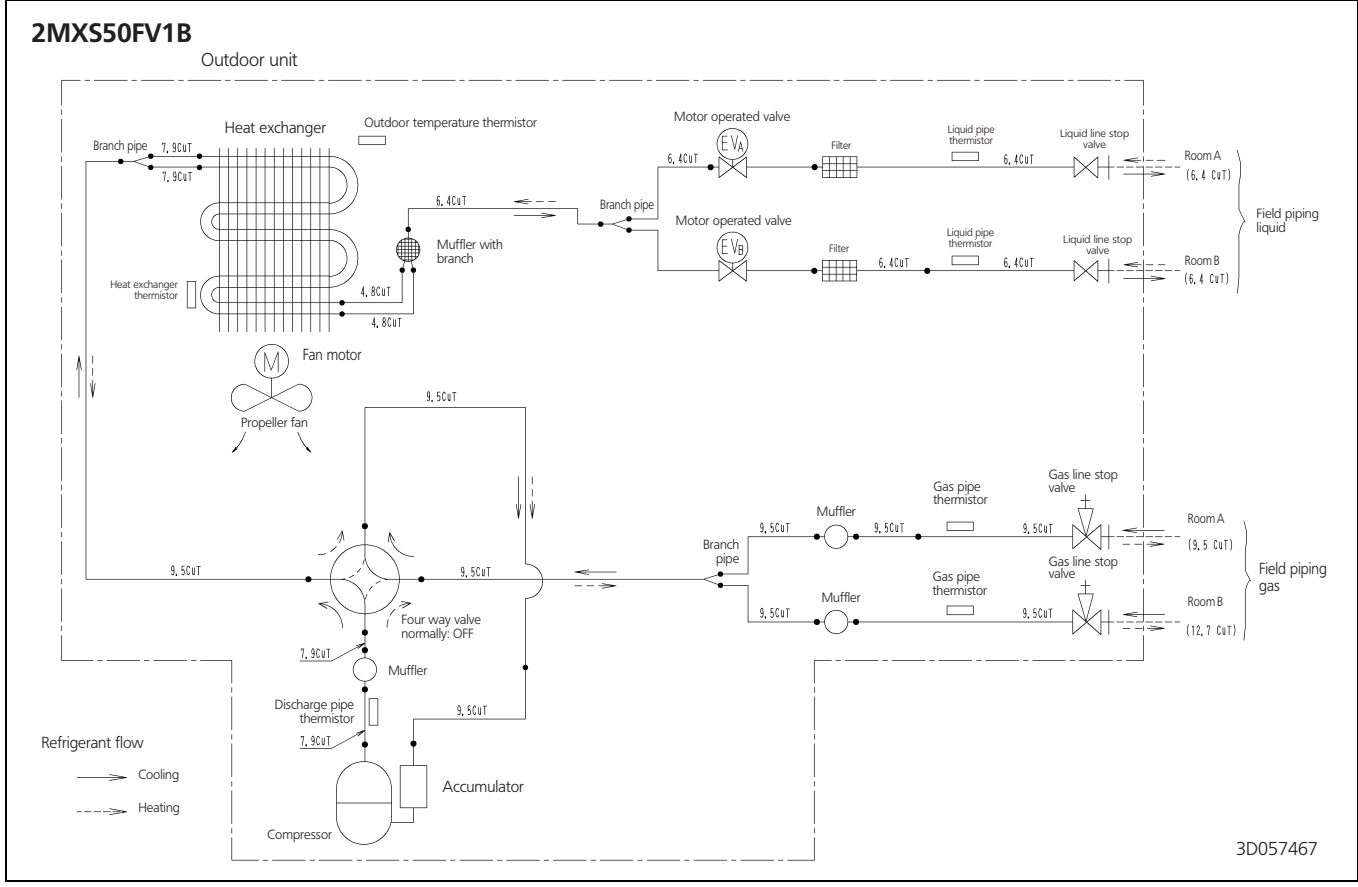


5

# 6 Piping diagram

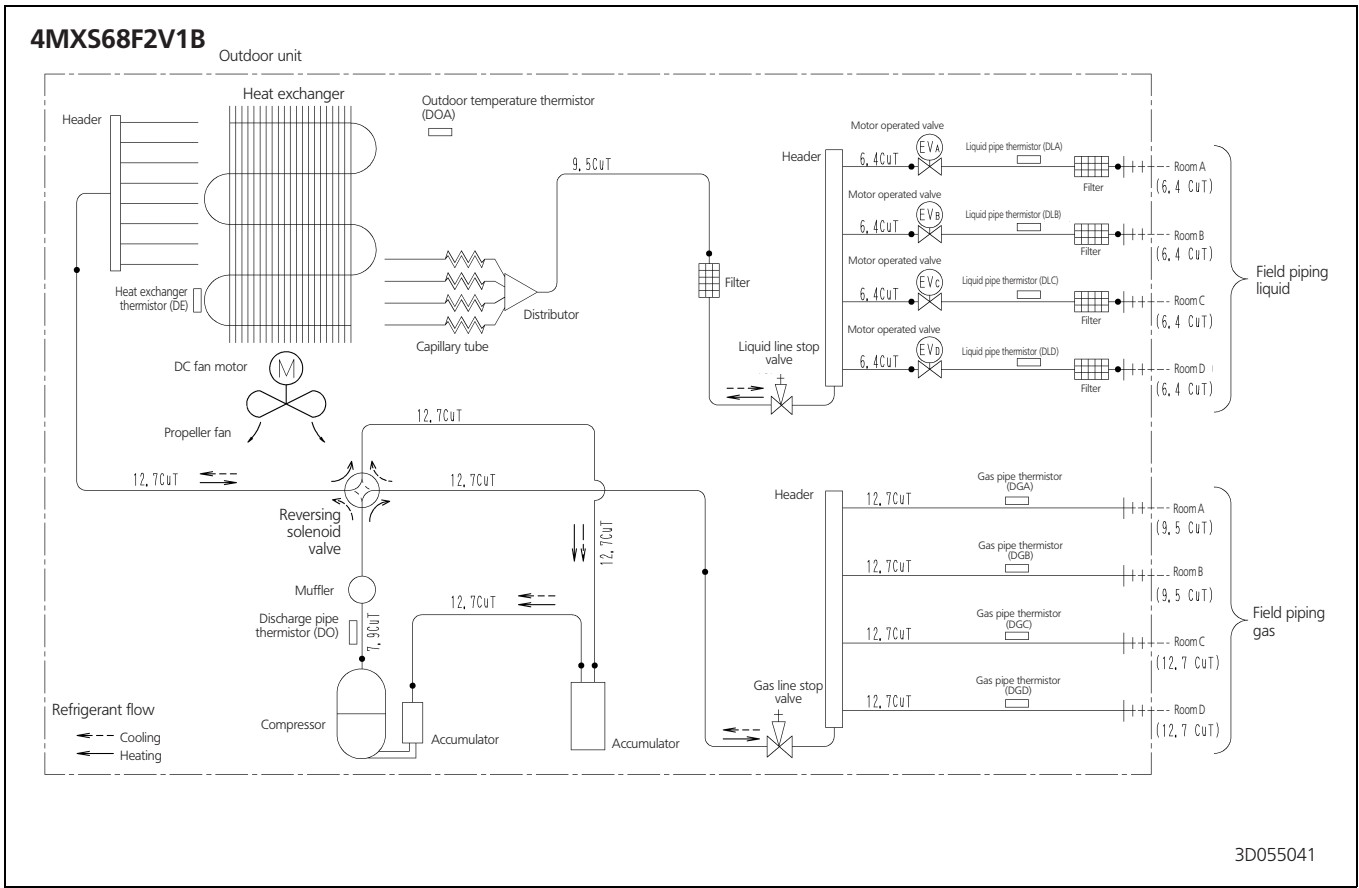


6



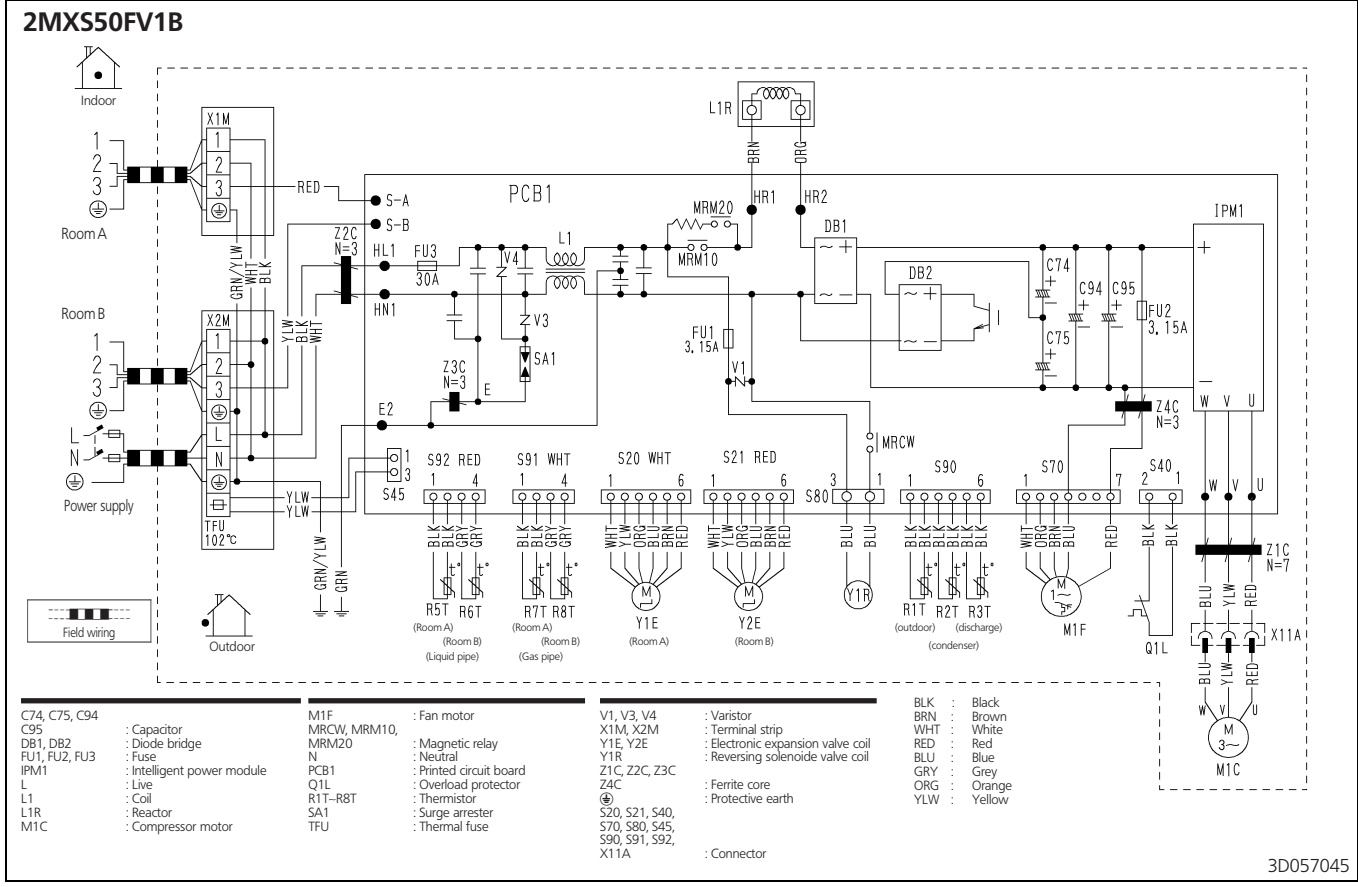
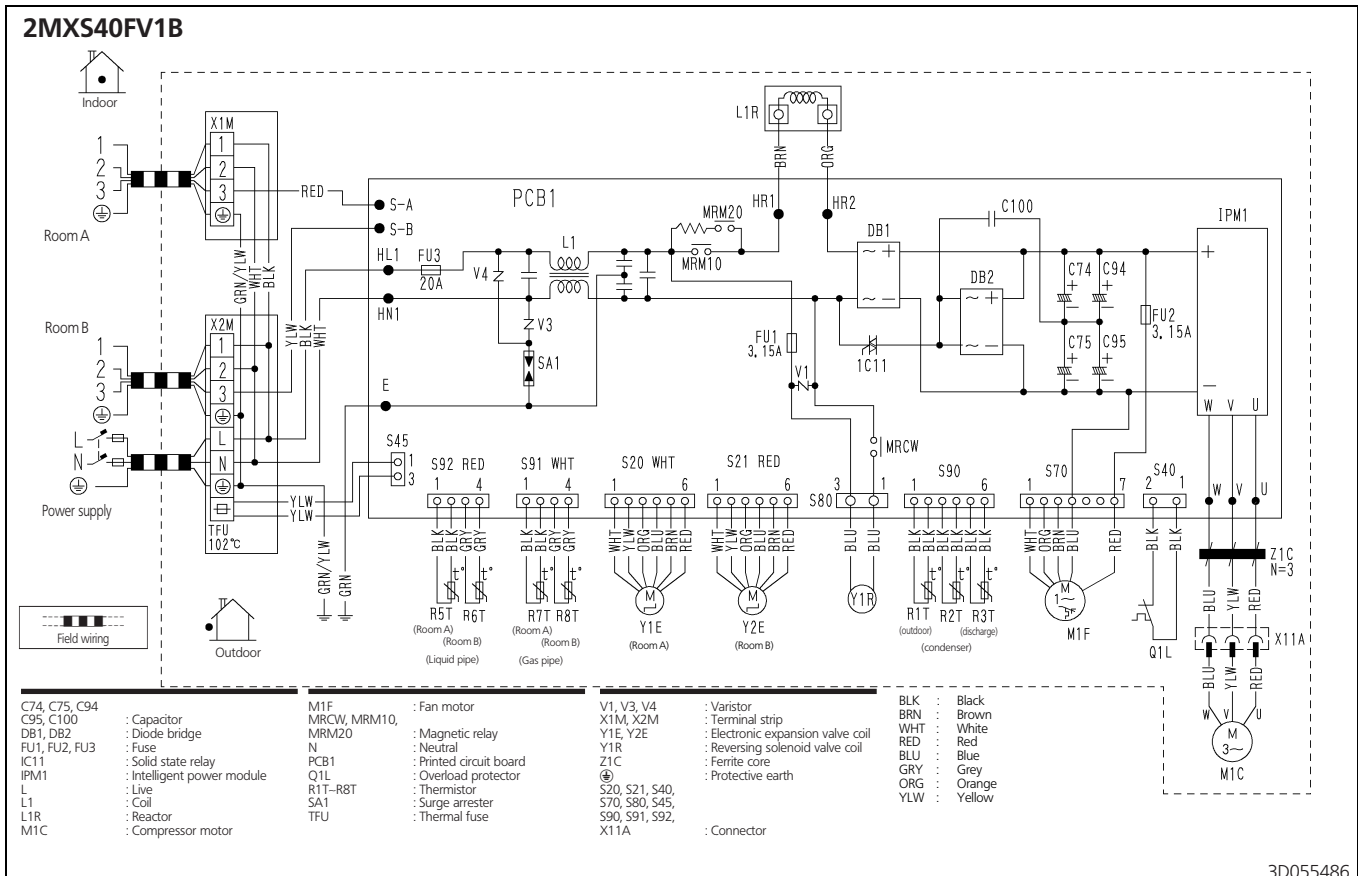
# 6 Piping diagram

6



# 7 Wiring diagram

## 7 - 1 Wiring diagram

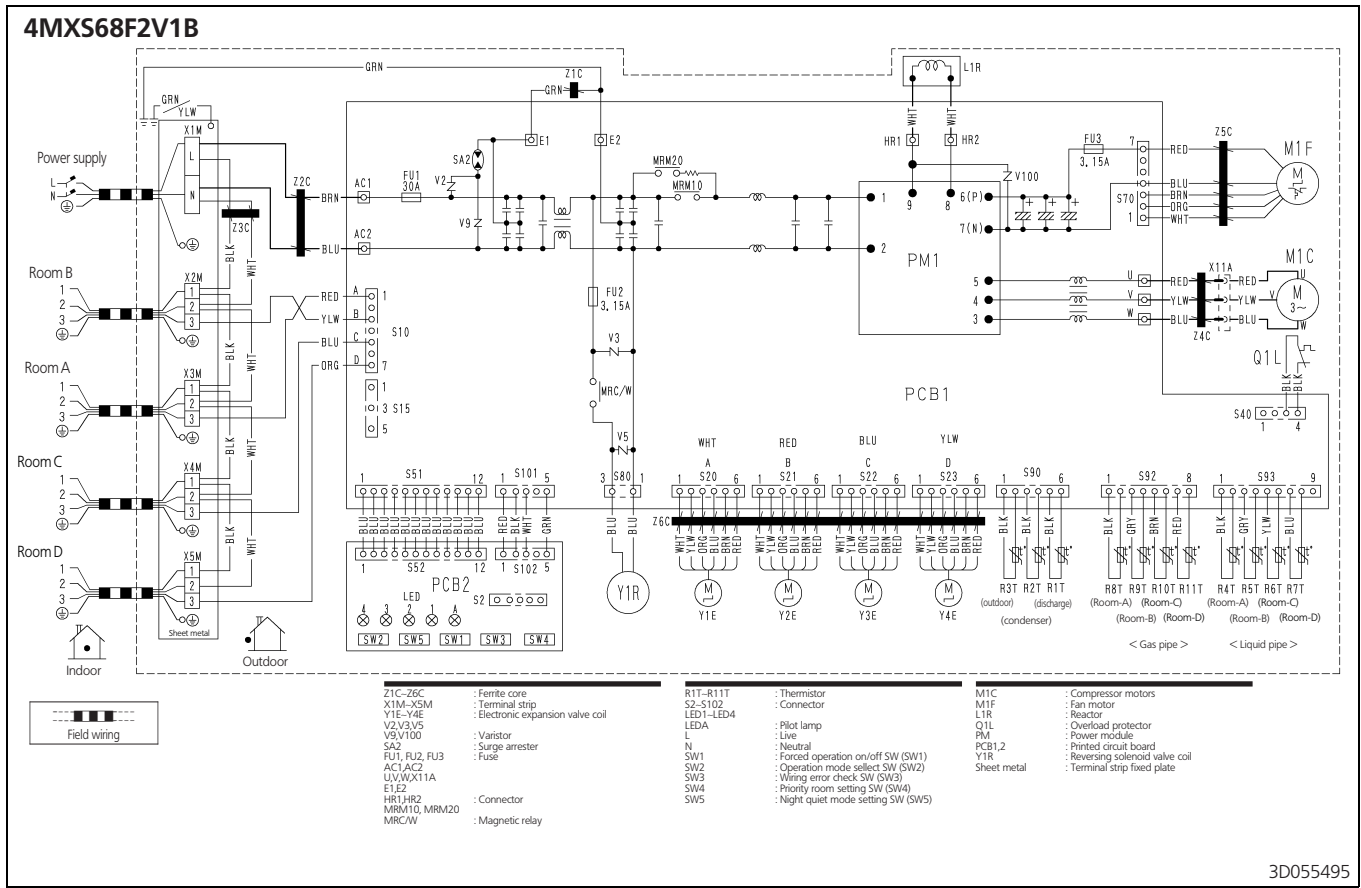




# 7 Wiring diagram

## 7 - 1 Wiring diagram

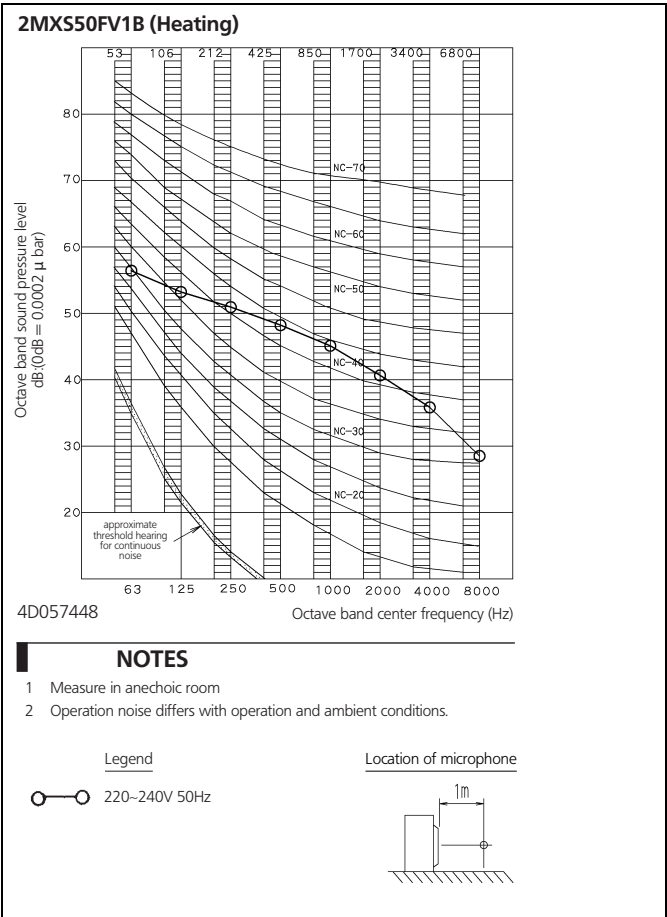
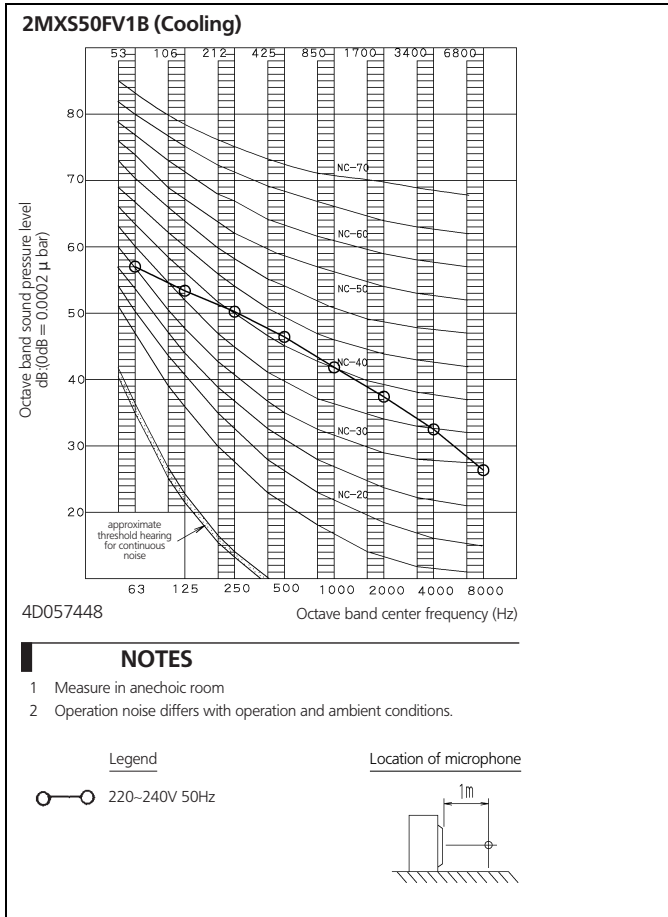
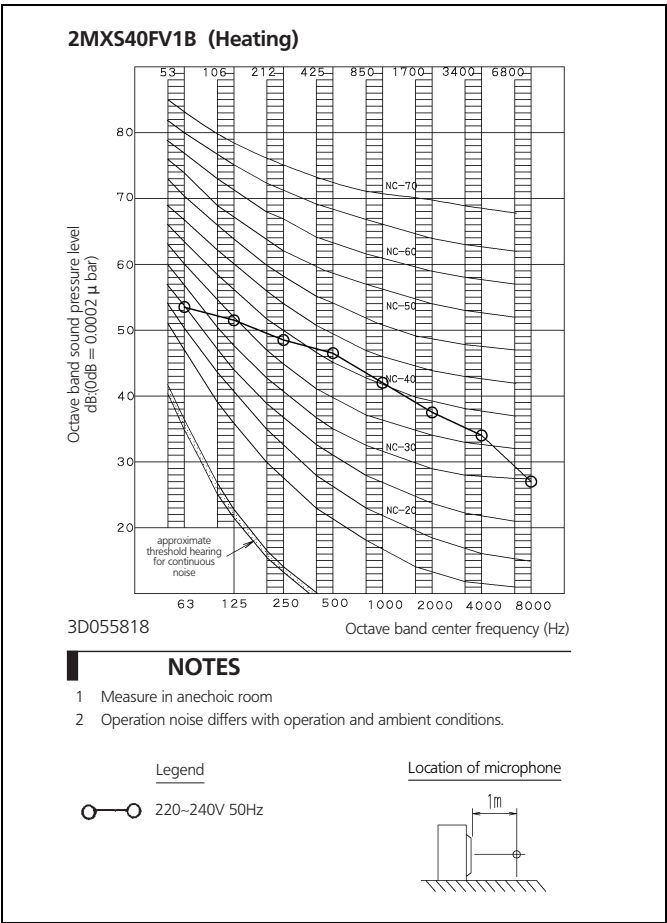
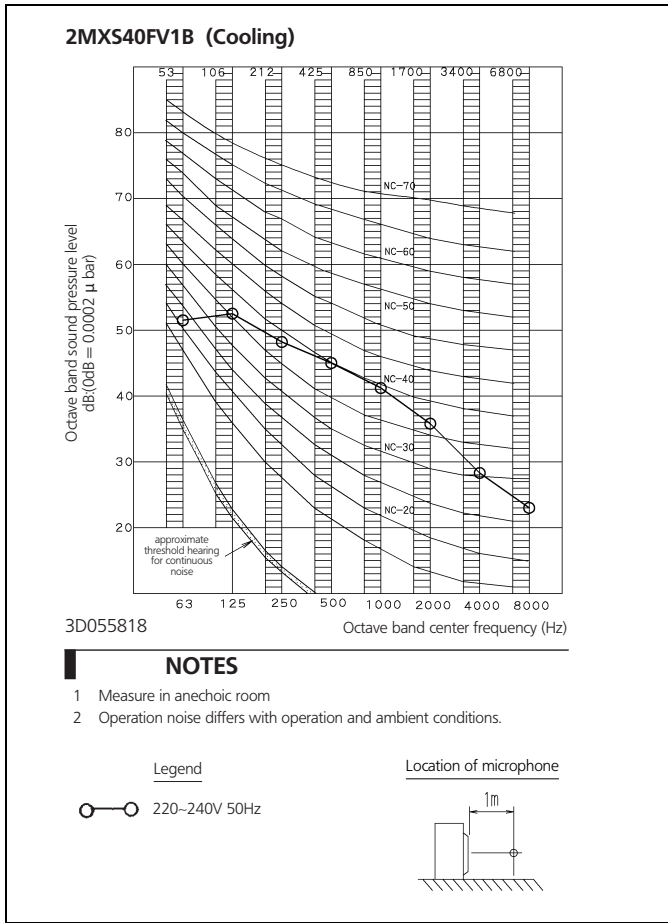
7



3D055495

# 8 Sound data

## 8 - 1 Sound pressure spectrum

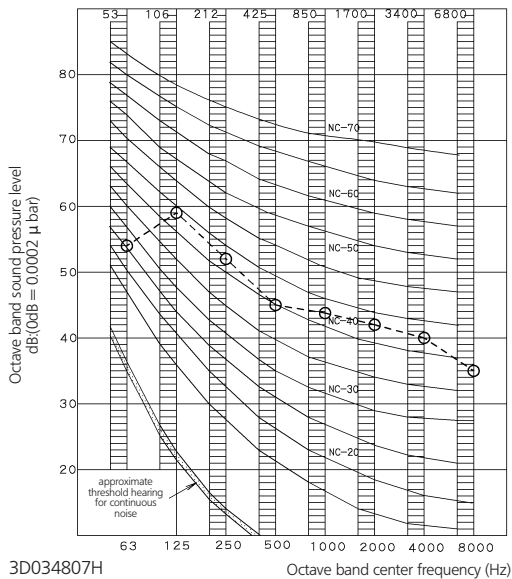


# 8 Sound data

## 8 - 1 Sound pressure spectrum

8

4MXS68F2V1B (Cooling)



3D034807H

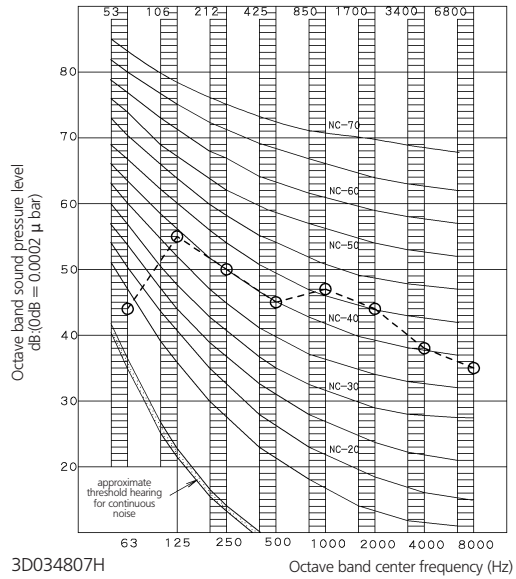
**NOTES**

- 1 Measured in an anechoic chamber.
- 2 Operation noise differs with operation and ambient conditions.

Legend

○ - - - ○ 220~240/220~230V 50/60Hz

4MXS68F2V1B (Heating)



3D034807H

**NOTES**

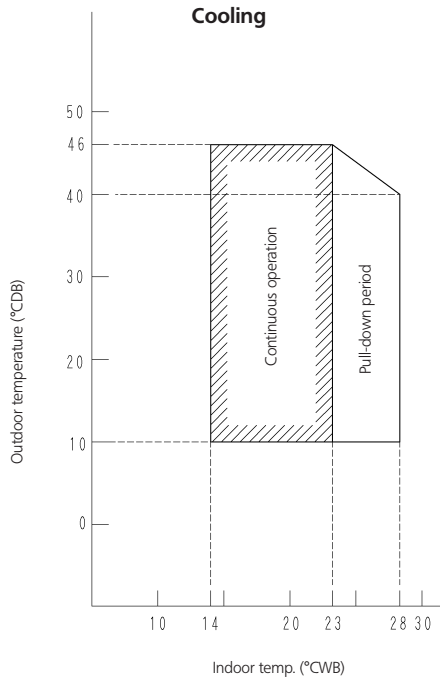
- 1 Measured in an anechoic chamber.
- 2 Operation noise differs with operation and ambient conditions.

Legend

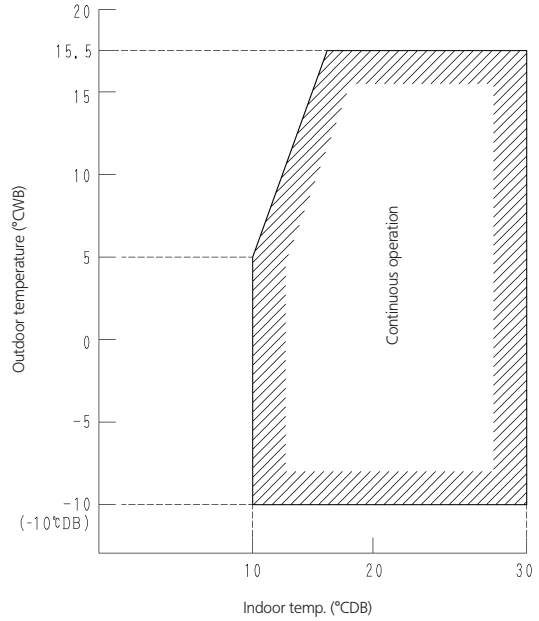
○ - - - ○ 220~240/220~230V 50/60Hz

# 9 Operation range

## 2MXS40FV1B



## Heating



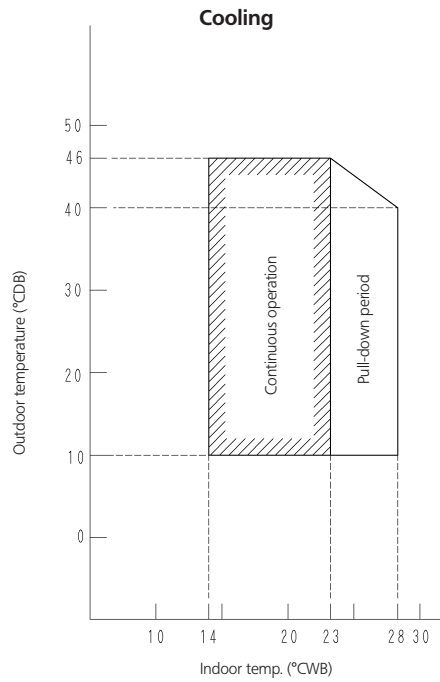
**Notes:**

The graphs are based on the following conditions:

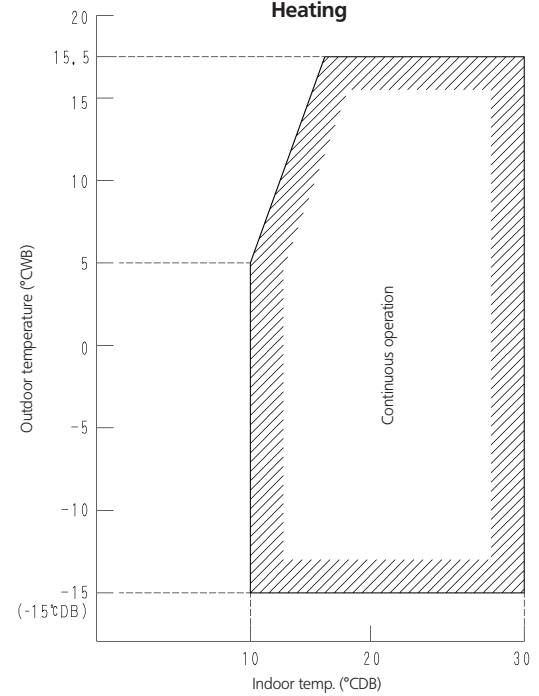
- Equivalent piping length 5.0m
- Level difference 0m
- Air flow rate High

3D055815

## 2MXS50FV1B



## Heating



**Notes:**

The graphs are based on the following conditions:

- Equivalent piping length 5.0m
- Level difference 0m
- Air flow rate High

3D057575

# 9 Operation range

9

