



# Air Conditioning Technical Data

Ceiling suspended unit



EEEN13-100

FHQ-C



# TABLE OF CONTENTS

## FHQ-C

1	Features .....	2
2	Specifications .....	3
	Technical Specifications .....	3
	Electrical Specifications .....	4
3	Safety device settings .....	5
	Safety Device Settings .....	5
4	Options .....	6
	Options .....	6
5	Dimensional drawings .....	7
	Dimensional Drawings .....	7
6	Piping diagrams .....	10
	Piping Diagrams .....	10
7	Wiring diagrams .....	11
	Wiring Diagrams - Single Phase .....	11
8	External connection diagrams .....	12
	External Connection Diagrams .....	12
9	Sound data .....	13
	Sound Pressure Spectrum .....	13

# 1 Features

- User friendly remote control with contemporary design
- Ideal solution for commercial spaces with narrow or no false ceilings
- Easy to use: all main functions directly accessible
- The unit can easily be mounted in corners and narrow spaces, as it only needs 30mm lateral service space
- Easy setup: clear graphical user interface for advanced menu settings
- Low energy consumption thanks to DC fan motor and drain pump
- Optimise your air conditioning system by activating a series of energy saving functions (temperature range limit, setback function, off timer, ...)
- Stylish unit blends easily with any interior, as the flaps close entirely when not in operation
- Keep track of your energy consumption with the kWh indication showing an indicative electricity consumption
- Can be installed in both new and existing buildings

- Setup to 3 independent schedules, so the user can easily change the schedule himself throughout the year (e.g. summer, winter, mid-season)
- Wider air discharge thanks to Coanda effect: up to 100°
- Real time clock with auto update to daylight saving time
- Air flow distribution for ceiling heights up to 3.8m without capacity loss
- Supports multiple languages (English, German, Dutch, Spanish, Italian, Portuguese, French, Greek, Russian, Turkish and Polish)
- No optional adapter needed for DIII-connection, link your unit into the wider building management system.
- Possibility to individually restrict menu functions
- When a power failure occurs all settings remain stored up to 48 hours thanks to the built-in backup power
- Home leave operation maintains the indoor temperature at your specified comfort level during absence, thus saving energy



3 steps



optional

## 2 Specifications

2-1 Technical Specifications				FHQ35C	FHQ50C	FHQ60C	FHQ71C	FHQ100C	FHQ125C	FHQ140C	
Power input - 50Hz	Cooling	Nom.	kW	0.090		0.091	0.110	0.172	0.217	0.251	
	Heating	Nom.	kW	0.072	0.090			0.172	0.217	0.251	
Casing	Colour	Fresh White									
	Material	Resin, sheet metal									
Dimensions	Unit	Height/Width/Depth	mm	235/960/690		235/1,270/690		235/1,590/690			
	Packed unit	Height/Width/Depth	mm	340/1,116/858		349/1,426/878		349/1,746/878			
Weight	Unit		kg	24	25	31	32	38			
	Packed unit		kg	38	39	52	54	61			
Packing	Material	-									
	Weight		kg	8.5		13.9		15.0			
Heat exchanger	Length		mm	722		1,032		1,352			
	Rows	Quantity		2	3	2	3				
	Fin pitch		mm	1.5							
	Face area		m <sup>2</sup>	0.2130		0.3030		0.3980			
	Stages	Quantity		14							
	Empty tubeplate hole	Quantity		0							
	Tube type			ø7 Hi-XSL							
	Tube material			Copper							
	Tube diameter		mm	7.0							
	Fin	Type		ML fin (Multi lower)							
		Treatment		Anti Corrosion Hydrophilic							
	Fan	Type	Strocco fan								
Quantity						2			4		
Air flow rate		Cooling	High	m <sup>3</sup> /min	14	15	19.5	20.5	28	31	34
				cfm	494	530	689	724	989	1,095	1,201
			Nom.	m <sup>3</sup> /min	11.5	12	15	17	24	27	29
				cfm	406	424	530	600	848	953	1,024
			Low	m <sup>3</sup> /min	10		11.5	14	20	23	24
				cfm	353		406	494	706	812	848
		Heating	High	m <sup>3</sup> /min	14	15	19.5	20.5	28	31	34
				cfm	494	530	689	724	989	1,095	1,201
			Nom.	m <sup>3</sup> /min	11.5	12	15	17	24	27	29
				cfm	406	424	530	600	848	953	1,024
			Low	m <sup>3</sup> /min	10		11.5	14	20	23	24
				cfm	353		406	494	706	812	848
Fan motor	Quantity	1									
Model	KFD-280-87-8A				KFD-280-117-8A			EQDW01EDK			
Index of Protection	20										
Insulation grade	Class "E"										
Poles	8										
Drive	Direct drive										
Speed	Steps		3								
	Coding	High/ Medium/Low	rpm	864/787/710	960/856/711	875/792/709	936/825/714	1,090/935/780	1,170/1,017/864	1,254/1,076/898	
		Heating	High/ Medium/Low	rpm	864/787/710	960/856/711	875/792/709	936/825/714	1,090/935/780	1,170/1,017/864	1,254/1,076/898
Output	High	W	60		91		150				
Phase x Voltage			V	DC280V				DC192V-380V			
Full load amps (FLA)	Cooling	A	0.6			0.8		1.2	1.6	1.8	
	Heating	A	0.6			0.8		1.2	1.6	1.8	
Sound power level	Cooling	High/Nom./Low	dBA	53/51/48	54/52/49	54/52/50	55/53/51	60/56/52	62/59/55	64/60/56	
	Heating	High/Nom./Low	dBA	53/51/48	54/52/49	54/52/50	55/53/51	60/56/52	62/59/55	64/60/56	

## 2 Specifications

2

2-1 Technical Specifications				FHQ35C	FHQ50C	FHQ60C	FHQ71C	FHQ100C	FHQ125C	FHQ140C
Sound pressure level	Cooling	High/Nom./Low	dBA	36/34/31	37/35/32	37/35/33	38/36/34	42/38/34	44/41/37	46/42/38
	Heating	Super high/High/Nom./Low	dBA	-/36/34/31	-/37/35/32	-/37/35/33	-/38/36/34	-/42/38/34	-/44/41/37	-/46/42/38
Refrigerant	Type			R-410A						
Piping connections	Sound absorbing insulation			Not needed						
	Liquid	Type/OD	mm	C1220T (Flare connection)/6.35			C1220T (Flare connection)/9.52			
	Gas	Type/OD	mm	C1220T (Flare connection)/9.5	C1220T (Flare connection)/12.7		C1220T (Flare connection)/15.9			
	Drain			VP20						
	Heat insulation			Needed						
Air direction control				Up and downwards						
Air filter	Type			Resin net with mold resistance						
	Quantity			2						
Safety devices	Item	01	Fuse (F, 5A, 250V)				-			

Standard Accessories : Screw for wiring fixture;

Standard Accessories : Wiring fixture;

Standard Accessories : Resin bushing;

Standard Accessories : Sealing material;

Standard Accessories : Joint insulating material;

Standard Accessories : Installation pattern;

Standard Accessories : Clamps;

Standard Accessories : Washer for hanger bracket;

Standard Accessories : Clamp metal;

Standard Accessories : Drain hose;

Standard Accessories : Declaration of conformity;

Standard Accessories : Operation manual;

Standard Accessories : Installation manual;

2-2 Electrical Specifications				FHQ35C	FHQ50C	FHQ60C	FHQ71C	FHQ100C	FHQ125C	FHQ140C
Power supply	Name			VE						
	Phase			1~						
	Frequency	Hz		50/60						
	Voltage	V		220-240/220						
Current - 50Hz	Maximum running current	A	0.6			0.8	1.3	1.5	1.8	
Current - 60Hz	Nominal running current	A	-							

### 3 Safety device settings

#### 3 - 1 Safety Device Settings

##### FHQ-C

Safety devices		35	50	60	71	100	125	140
FHQ-C	Fuse	250V 5A	250V 5A	250V 5A	---	---	---	---
	Fan motor thermal fuse	°C	---	---	---	---	---	---
	Fan motor thermal protector	°C	---	---	---	---	---	---

3D080194

## 4 Options

### 4 - 1 Options

#### FHQ-C

Name of option	Remark	FHQ-C						
		35	50	60	71	100	125	140
Long-life filter		KAPP501A56		KAPP501A80		KAPP501A160		
Fresh air intake kit		KDDQ50A140						
L-type piping kit (for upward direction)		KHFP5N63			KHFP5N160			
Remote controller	Wired type	BRC1D528, BRC1E51A7, BRC1E52A7, BRC1E52B7						
	Infrared type	Heat pump use	BRC7GA53					
		Cooling only use	BRC7GA56					
Central remote controller		DCS302CA51						
Unified ON/OFF controller		DCS301BA51						
Schedule timer		DST301BA51						
Wiring adapter for electrical appendices		KRP1BA54						
Wiring adapter for electrical appendices		KRP4AA52						
Wiring adapter for electrical appendices		---						
External adaptor for outdoor unit (installation on indoor unit)		---						
Installation box for adapter PCB		KRP1D93A						
Remote sensor		KRC501-4B						
Remote On/Off (Connector for forced on, forced off)		EKRORO4						
Noise filter (for electromagnetic use only)		---						
Electrical box with earth terminal (3 blocks)		KJB311AA						
Electrical box with earth terminal (2 blocks)		KJB212AA						

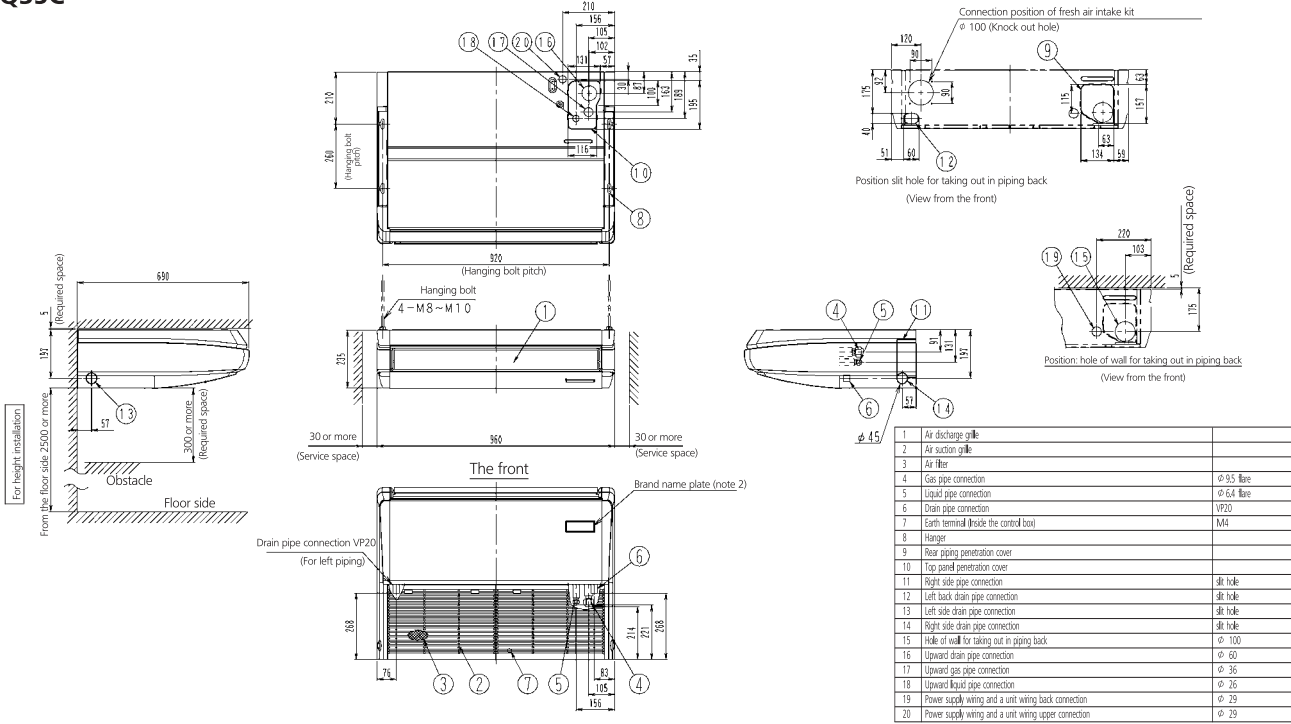
3D080173



# 5 Dimensional drawings

## 5 - 1 Dimensional Drawings

### FHQ35C

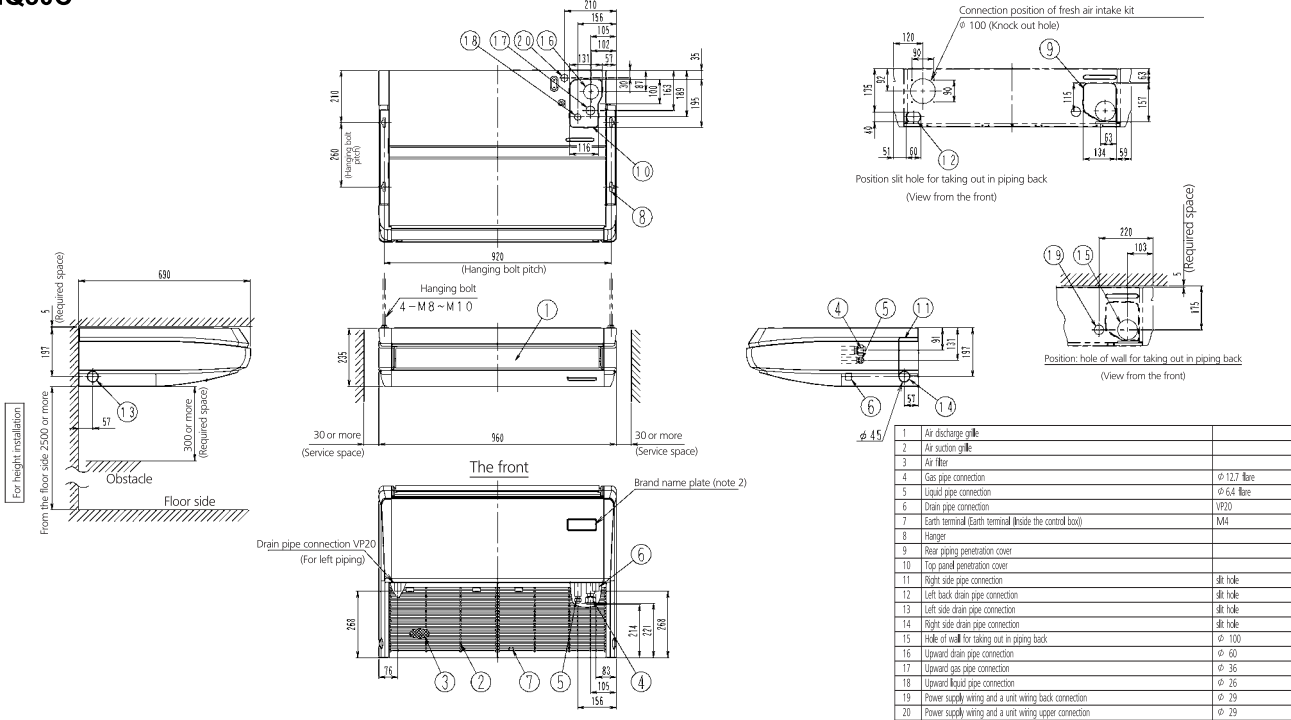


Note:

1. Location of unit's name plate: bottom of fan housing inside the suction grille.
2. In case of using infrared remote controller, this position will be a signal receiver. Refer to the drawing of infrared remote controller in detail.
3. Please do not place the thing been damp and troubled under an indoor unit. When the case where humidity is 80% or more, and the drain outlet are choked up and the air filter are dirty, dew may fall.

3D080028

### FHQ50C



Note:

1. Location of unit's name plate: bottom of fan housing inside the suction grille.
2. In case of using infrared remote controller, this position will be a signal receiver. Refer to the drawing of infrared remote controller in detail.
3. Please do not place the thing been damp and troubled under an indoor unit. When the case where humidity is 80% or more, and the drain outlet are choked up and the air filter are dirty, dew may fall

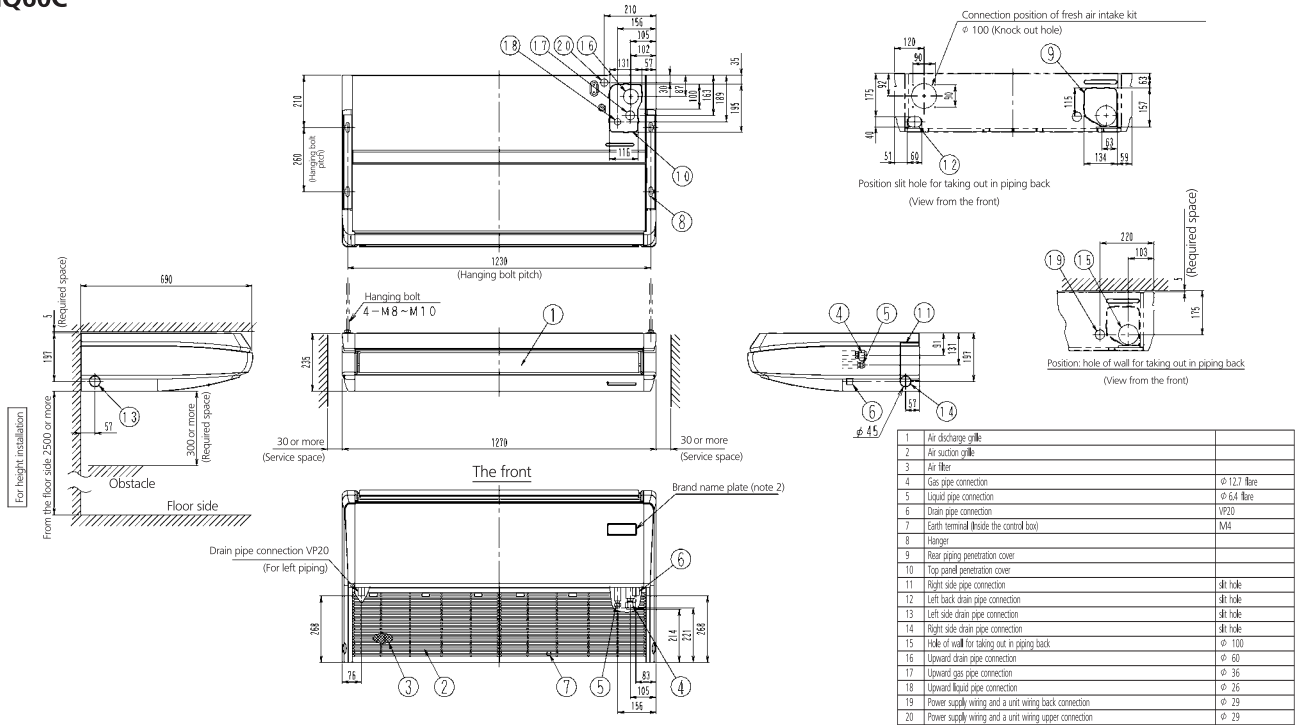
3D080029

# 5 Dimensional drawings

## 5 - 1 Dimensional Drawings

5

### FHQ60C

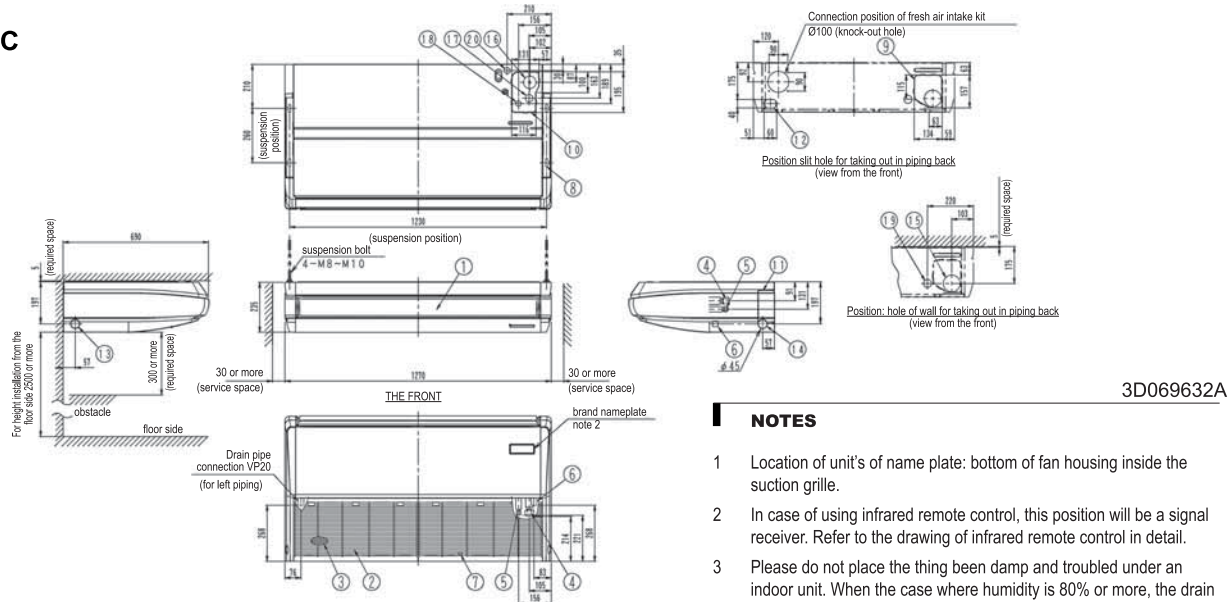


Note:

1. Location of unit's name plate: bottom of fan housing inside the suction grille.
2. In case of using infrared remote controller, this position will be a signal receiver. Refer to the drawing of infrared remote controller in detail.
3. Please do not place the thing been damp and troubled under an indoor unit. When the case where humidity is 80% or more, and the drain outlet are choked up and the air filter are dirty, dew may fall.

3D080119

### FHQ71C



3D069632A

#### NOTES

1. Location of unit's name plate: bottom of fan housing inside the suction grille.
2. In case of using infrared remote control, this position will be a signal receiver. Refer to the drawing of infrared remote control in detail.
3. Please do not place the thing been damp and troubled under an indoor unit. When the case where humidity is 80% or more, the drain outlet are choked up and the air filter are dirty, dew may fall.

Nr	Name	Description
1	Air discharge grille	
2	Air suction grille	
3	Air filter	
4	Gas pipe connection	Ø15.9 flare
5	Liquid pipe connection	Ø9.5 flare
6	Drain pipe connection	VP20
7	Earth terminal (inside electric components box)	M4
8	Hanger bracket	
9	Backward piping and wiring connection opening lid	
10	Upward piping and wiring connection opening lid	

11	Right side pipe connection	slit hole
12	Left back drain pipe connection	slit hole
13	Left side drain pipe connection	slit hole
14	Right side drain pipe connection	slit hole
15	Hole of wall for taking out in piping back	Ø100
16	Upward drain pipe connection	Ø60
17	Upward gas pipe connection	Ø36
18	Upward liquid pipe connection	Ø26
19	Power source wiring and a unit wiring back connection	Ø29
20	Power source wiring and a unit wiring upper connection	Ø29

# 5 Dimensional drawings

## 5 - 1 Dimensional Drawings

**FHQ100-140C**

**3D069633A**

**NOTES**

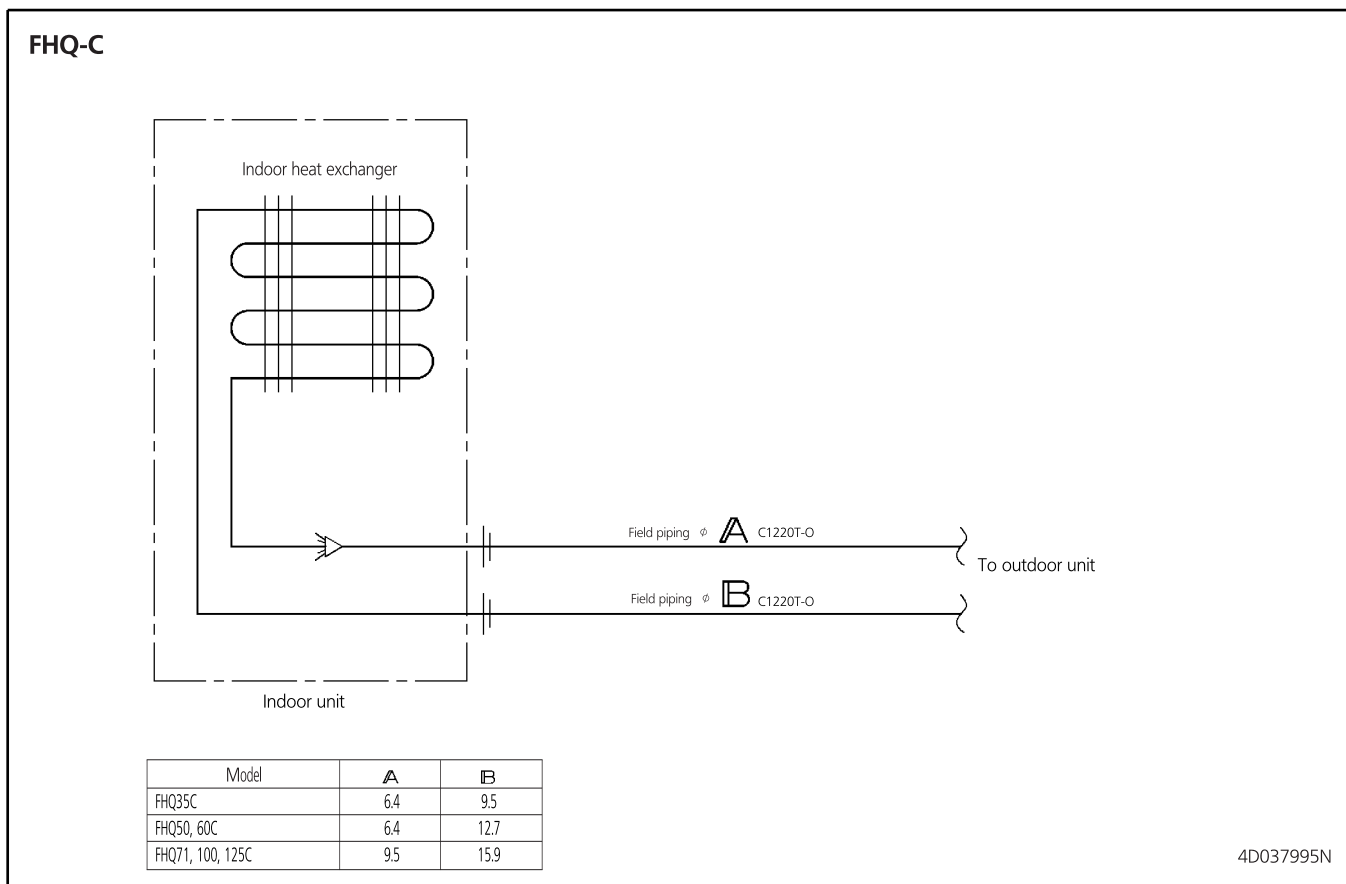
- Location of unit's name plate: bottom of fan housing inside the suction grille.
- In case of using infrared remote control, this position will be a signal receiver. Refer to the drawing of infrared remote control in detail.
- Don't put anything under indoor unit because dew may fall by reason of following:
  - The humidity is 80% or more.
  - The drain outlet is stopped up.
  - The air filter is dirty.

Nr	Name	Description
1	Air discharge grille	
2	Air suction grille	
3	Air filter	
4	Gas pipe connection	Ø15.9 flare
5	Liquid pipe connection	Ø9.5 flare
6	Drain pipe connection	VP20
7	Earth terminal (inside electric components box)	M4
8	Hanger bracket	
9	Backward piping and wiring connection opening lid	
10	Upward piping and wiring connection opening lid	
11	Right side pipe connection	slit hole
12	Left back drain pipe connection	slit hole
13	Left side drain pipe connection	slit hole
14	Right side drain pipe connection	slit hole
15	Hole of wall for taking out in piping back	Ø100
16	Upward drain pipe connection	Ø60
17	Upward gas pipe connection	Ø36
18	Upward liquid pipe connection	Ø26
19	Power source wiring and a unit wiring back connection	Ø29
20	Power source wiring and a unit wiring upper connection	Ø29

## 6 Piping diagrams

### 6 - 1 Piping Diagrams

6

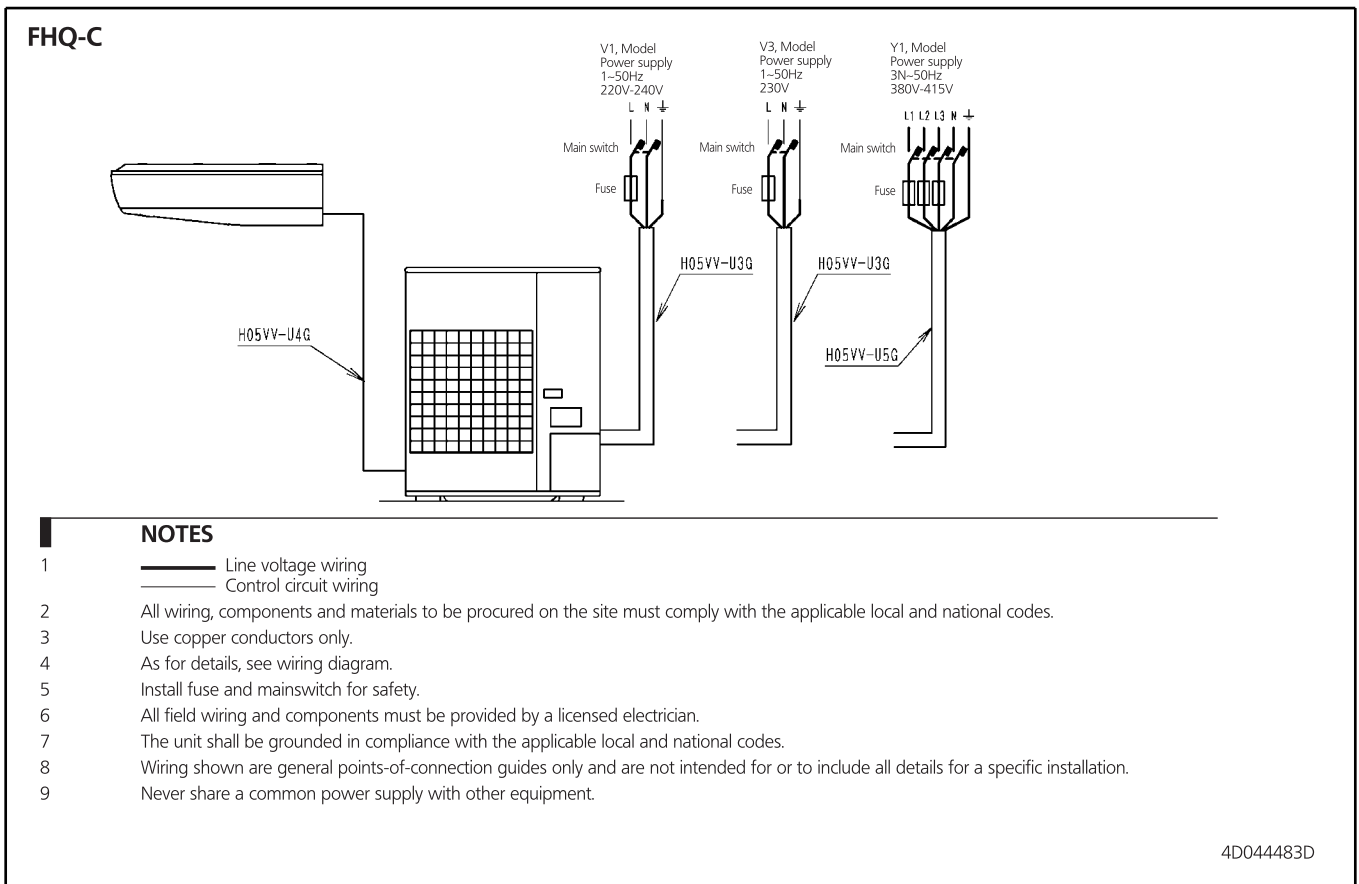




## 8 External connection diagrams

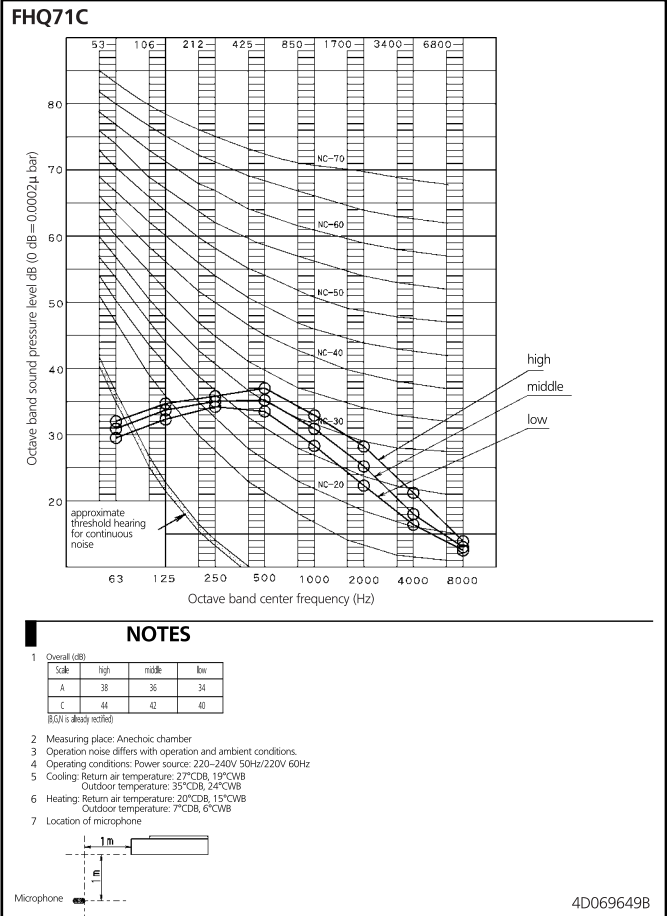
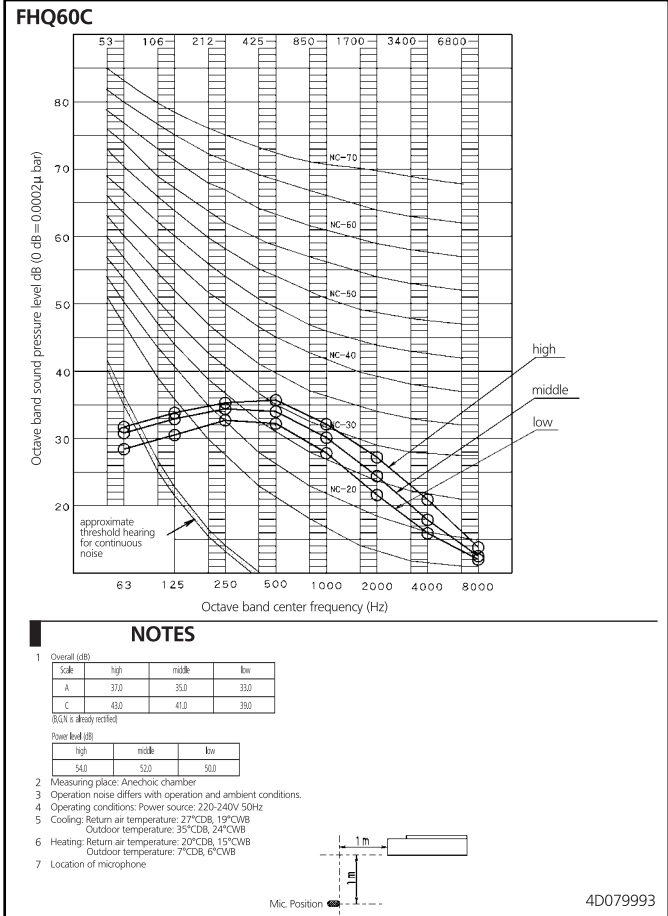
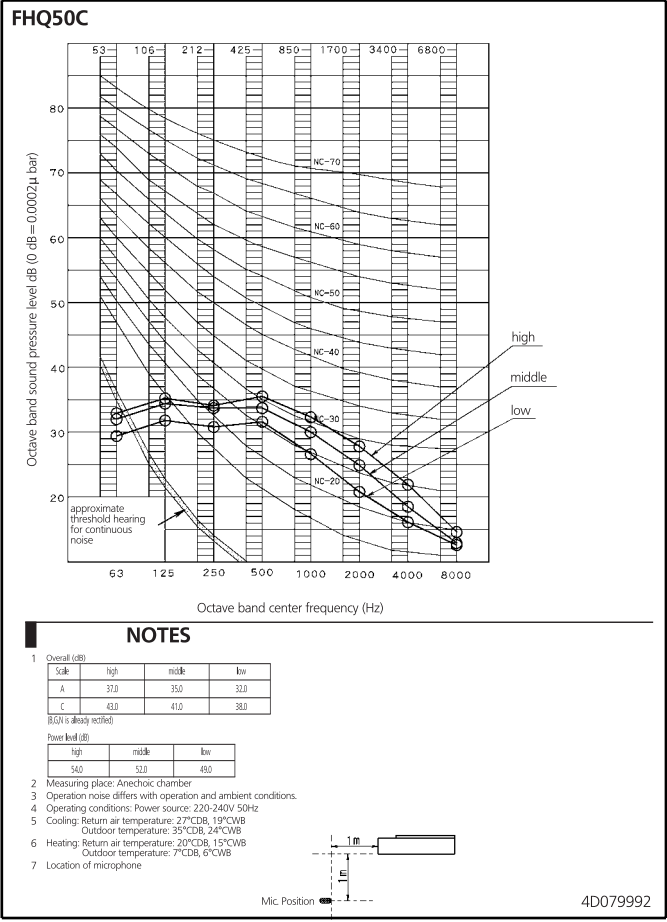
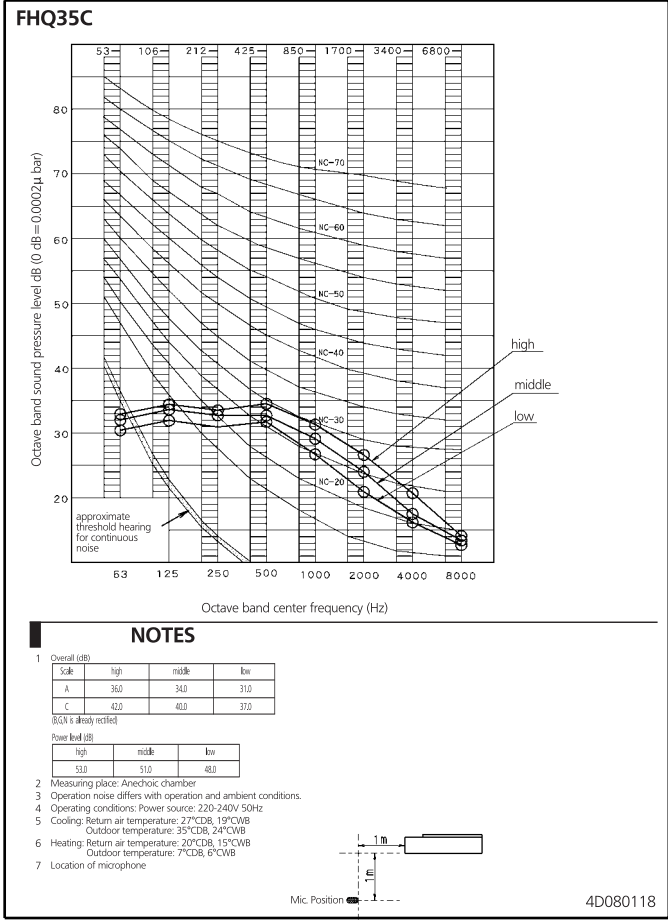
### 8 - 1 External Connection Diagrams

8



# 9 Sound data

## 9 - 1 Sound Pressure Spectrum

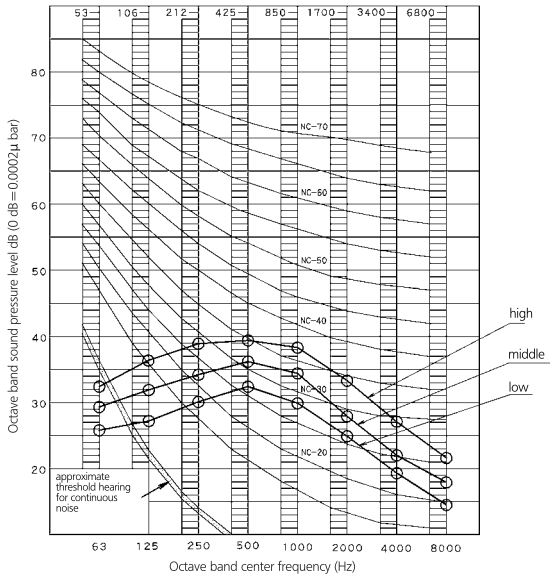


# 9 Sound data

## 9 - 1 Sound Pressure Spectrum

9

FHQ100C



**NOTES**

- Overall (dB)
 

Scale	high	middle	low
A	42	38	34
C	45	41	37

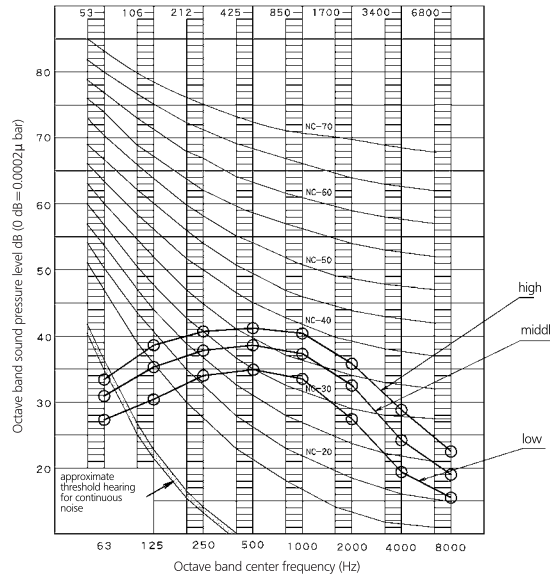
(B<sub>1</sub>) is already tested
- Measuring place: Anechoic chamber
- Operation noise differs with operation and ambient conditions.
- Operating conditions: Power source: 220-240V 50Hz/220V 60Hz
- Cooling: Return air temperature: 27°CDB, 19°CWB  
Outdoor temperature: 35°CDB, 24°CWB
- Heating: Return air temperature: 20°CDB, 15°CWB  
Outdoor temperature: 7°CDB, 6°CWB
- Location of microphone



Microphone

4D069652B

FHQ125C

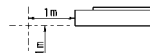


**NOTES**

- Overall (dB)
 

Scale	high	middle	low
A	44	41	37
C	47	44	40

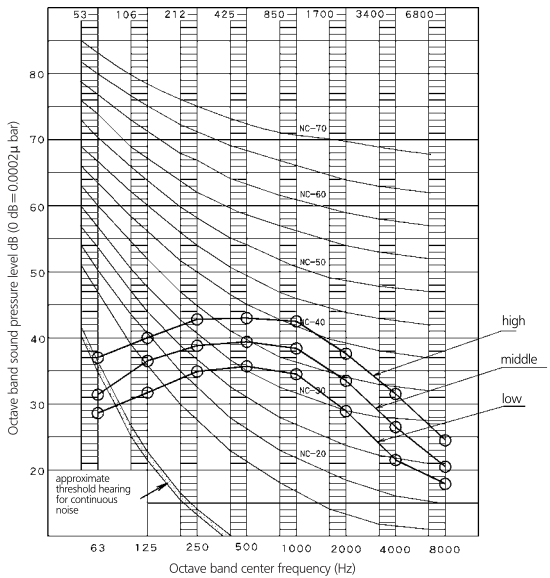
(B<sub>1</sub>) is already tested
- Measuring place: Anechoic chamber
- Operation noise differs with operation and ambient conditions.
- Operating conditions: Power source: 220-240V 50Hz/220V 60Hz
- Cooling: Return air temperature: 27°CDB, 19°CWB  
Outdoor temperature: 35°CDB, 24°CWB
- Heating: Return air temperature: 20°CDB, 15°CWB  
Outdoor temperature: 7°CDB, 6°CWB
- Location of microphone



Microphone

4D069650B

FHQ140C

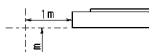


**NOTES**

- Overall (dB)
 

Scale	high	middle	low
A	46	42	38
C	49	45	41

(B<sub>1</sub>) is already tested
- Measuring place: Anechoic chamber
- Operation noise differs with operation and ambient conditions.
- Operating conditions: Power source: 220-240V 50Hz/220V 60Hz
- Cooling: Return air temperature: 27°CDB, 19°CWB  
Outdoor temperature: 35°CDB, 24°CWB
- Heating: Return air temperature: 20°CDB, 15°CWB  
Outdoor temperature: 7°CDB, 6°CWB
- Location of microphone



Microphone

4D069651B





Daikin's unique position as a manufacturer of air conditioning equipment, compressors and refrigerants has led to its close involvement in environmental issues. For several years Daikin has had the intention to become a leader in the provision of products that have limited impact on the environment. This challenge demands the eco design and development of a wider range of products and an energy management system, resulting in energy conservation and a reduction of waste.



Daikin Europe N.V. participates in the Eurovent Certification programme for Air conditioners (AC), Liquid Chilling Packages (LCP) and Fan coil units (FCU). Check ongoing validity of certificate online: [www.eurovent-certification.com](http://www.eurovent-certification.com) or using: [www.certiflash.com](http://www.certiflash.com)

The present leaflet is drawn up by way of information only and does not constitute an offer binding upon Daikin Europe N.V.. Daikin Europe N.V. has compiled the content of this leaflet to the best of its knowledge. No express or implied warranty is given for the completeness, accuracy, reliability or fitness for particular purpose of its content and the products and services presented therein. Specifications are subject to change without prior notice. Daikin Europe N.V. explicitly rejects any liability for any direct or indirect damage, in the broadest sense, arising from or related to the use and/or interpretation of this leaflet. All content is copyrighted by Daikin Europe N.V.

BARCODE

Daikin products are distributed by:

