



O₂-refresh system installation manual

O₂-refresh system installation manual

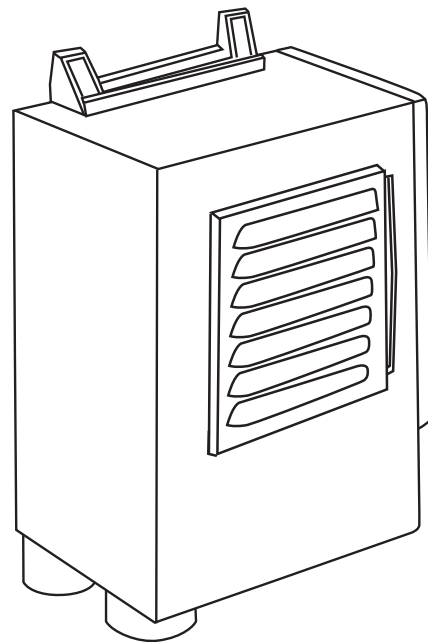
Welcome to use O₂-Refresh air conditioner,

This installation manual introduces deal the installation steps of O₂-Refresh system and the cushions. For correctly installing and using O₂-refresh system,please read this manual carefully before installation.

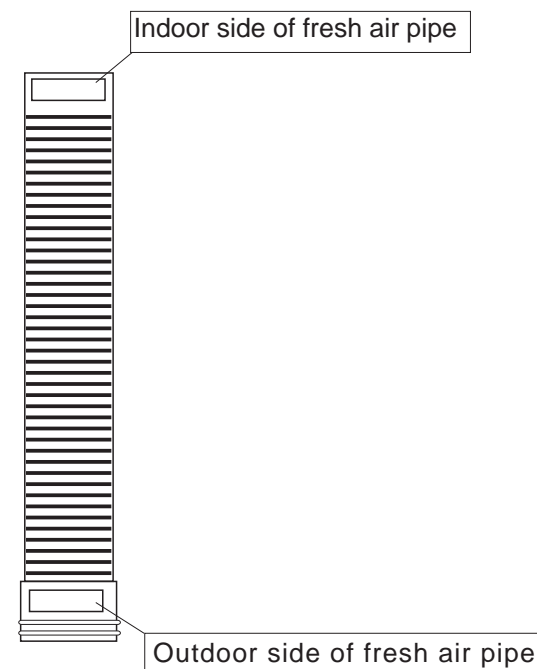
packing list:

No.	Name	Amount
1	Full energy recovery exchanger	1
2	Fresh air pipe	1
3	Bend connector for room air pipe	1
4	Room air pipe	1
5	Screws	3
6	String fastener	2

1.Full energy recovery exchanger



2.Fresh air pipe



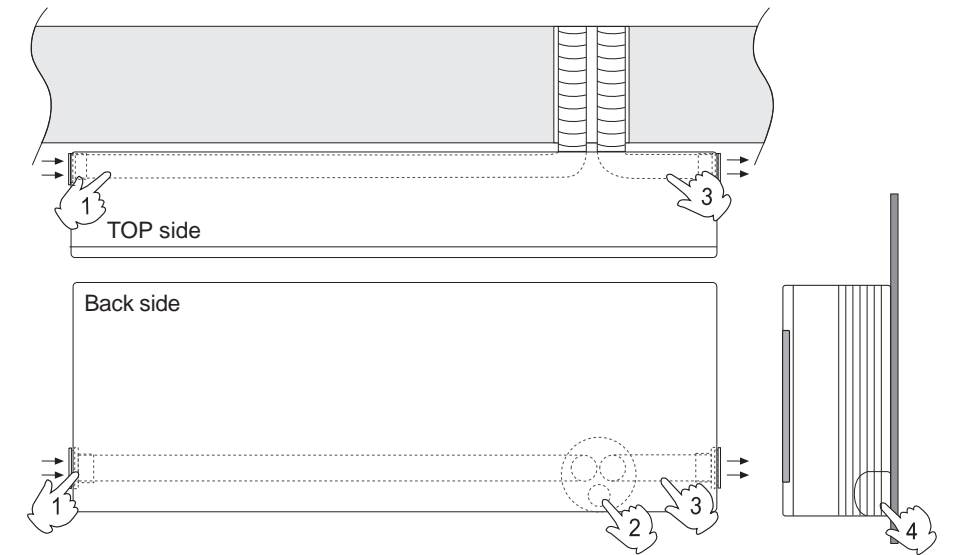
Installation of indoor unit

As installation of the fresh air system,we have two choices. One is installing the connecting pipe from back, another is from side,both of this two choices should finished the connection before fixing on the wall.

A

Install the connecting pipe from back of the indoor unit:

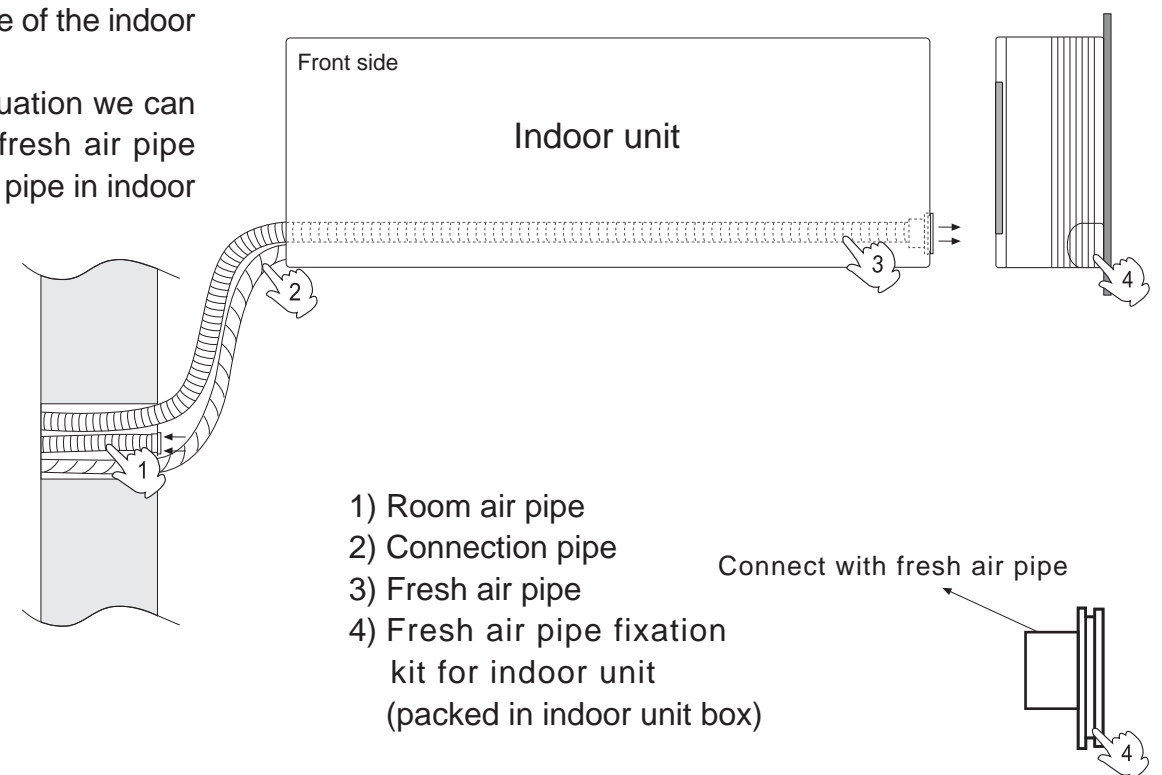
In this situation we can fix both the fresh air pipe and room air pipe in indoor unit.



B

Install the connecting pipe from side of the indoor unit:

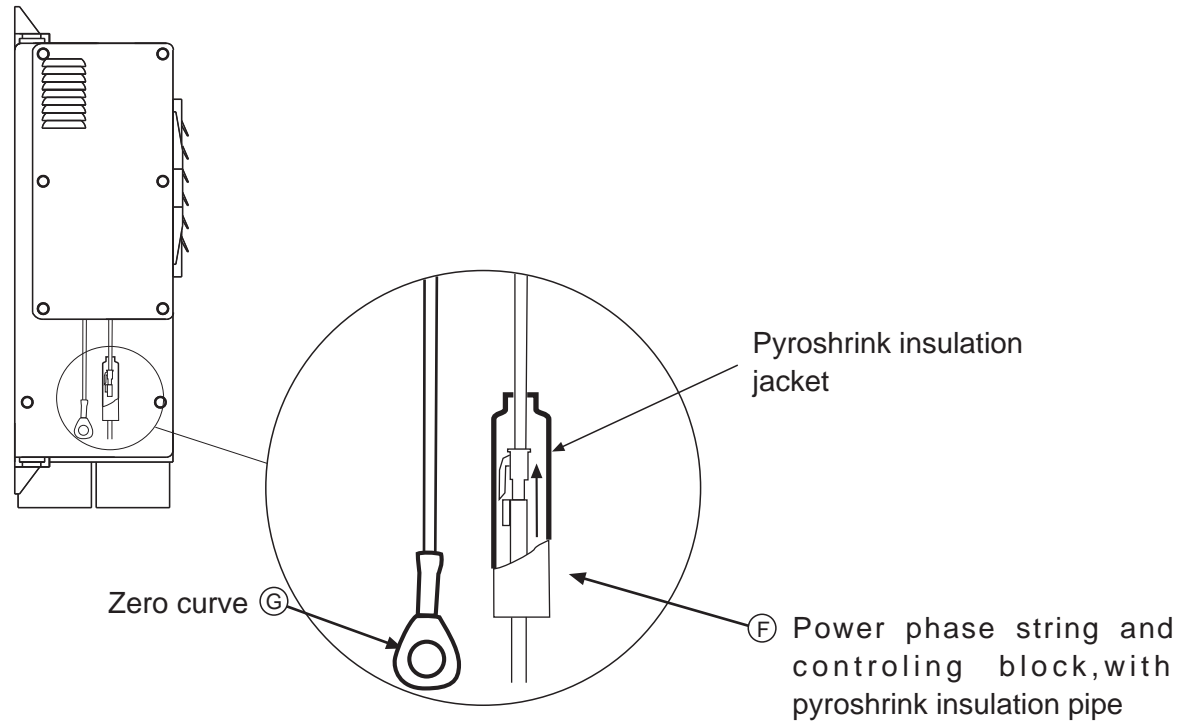
In this situation we can fix both the fresh air pipe and room air pipe in indoor unit.



- 1) Room air pipe
- 2) Connection pipe
- 3) Fresh air pipe
- 4) Fresh air pipe fixation kit for indoor unit (packed in indoor unit box)

3.power block installation

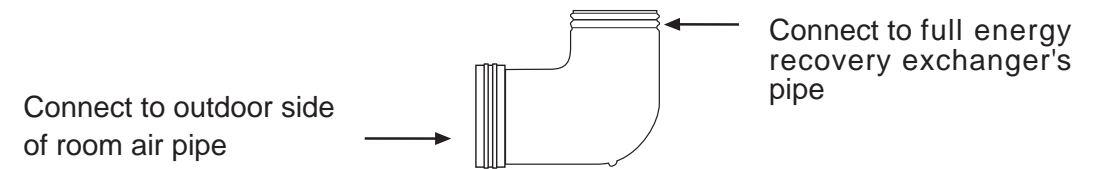
There are two terminal blocks F and G on the full energy recovery exchanger. F block is power phase string and controlling block, which connects with power string. G is the zero curve , which connects the zero curve end in the terminal box of outdoor side unit.



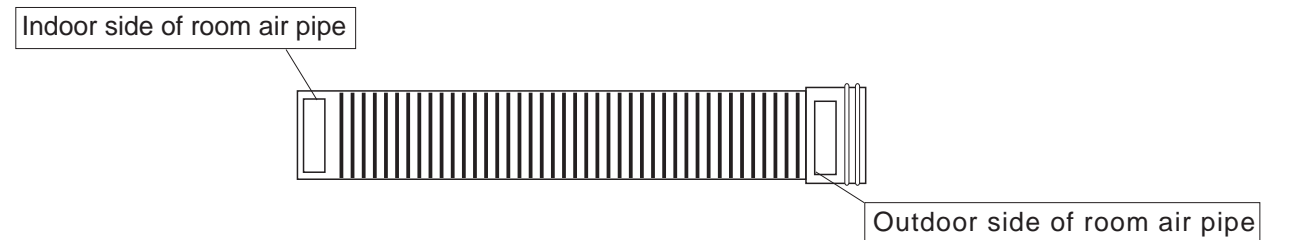
Caution:

There is anti-water jacket(pyroshrink pipe) on the block connector of the controlling string and the power phase string. Please confirm whether it is fastened after connecting.

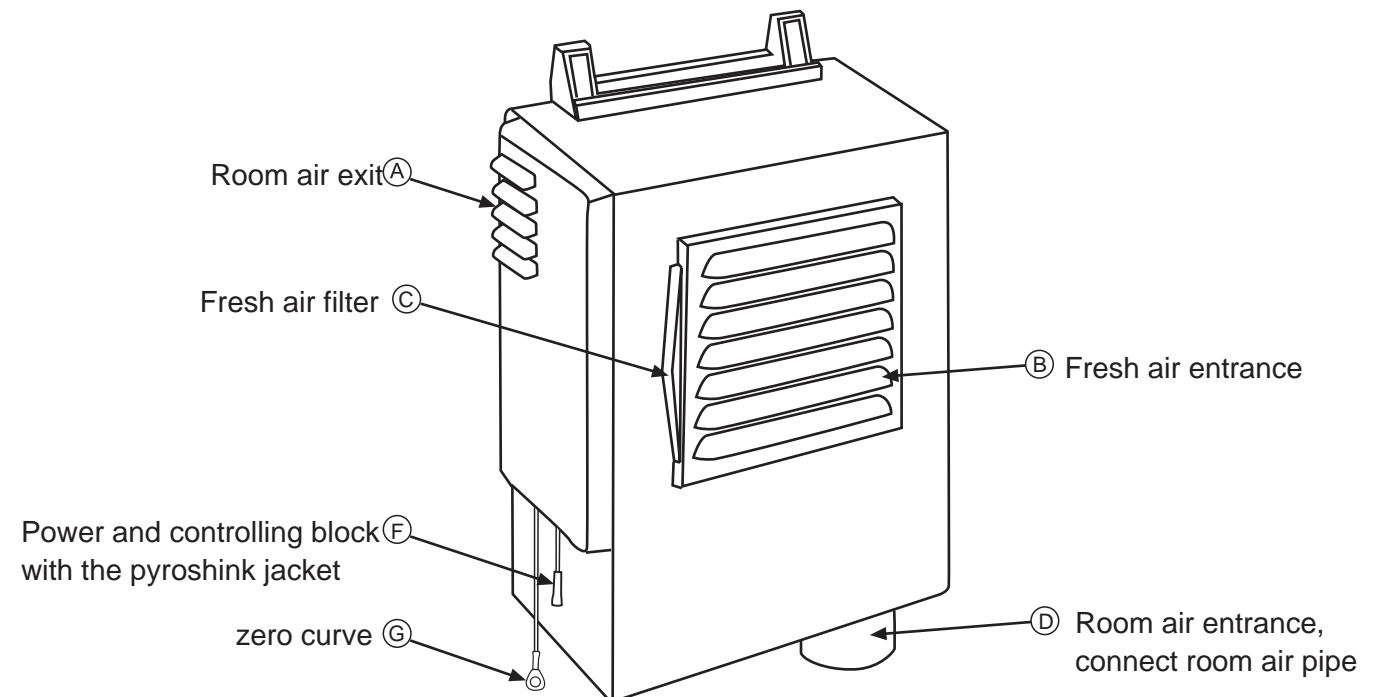
3.Bend connector

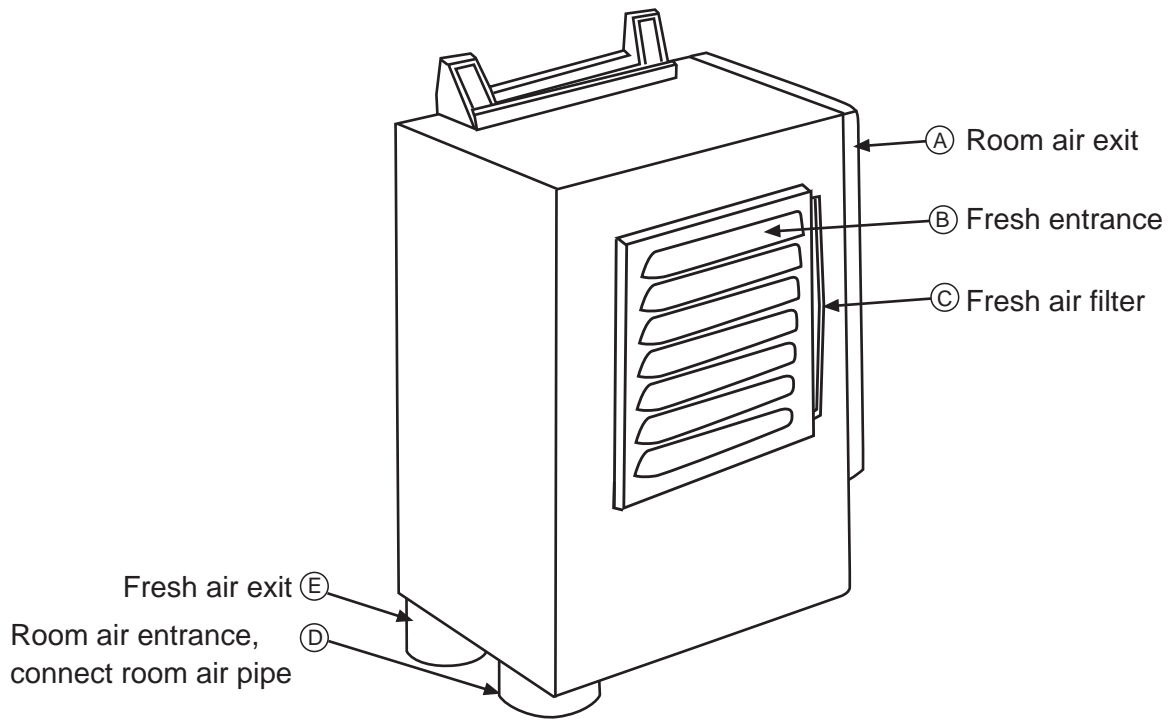


4.Room air pipe



Full energy recovery exchanger

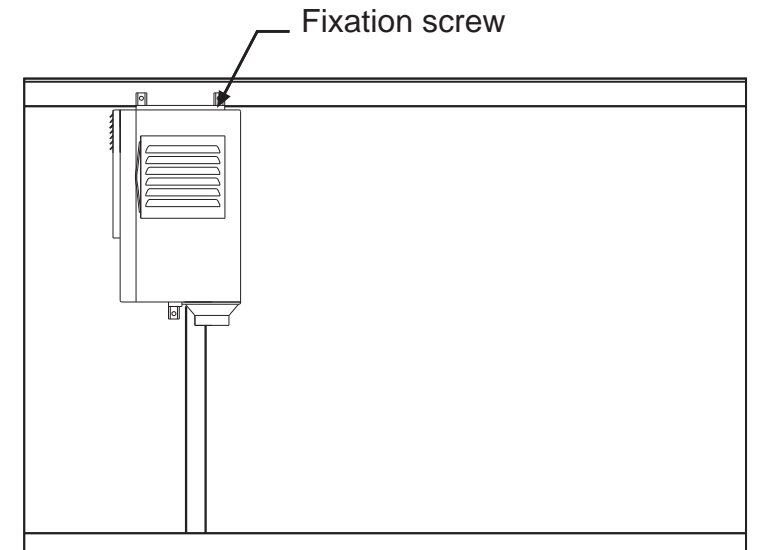




2.Small size outdoor unit installation sketch

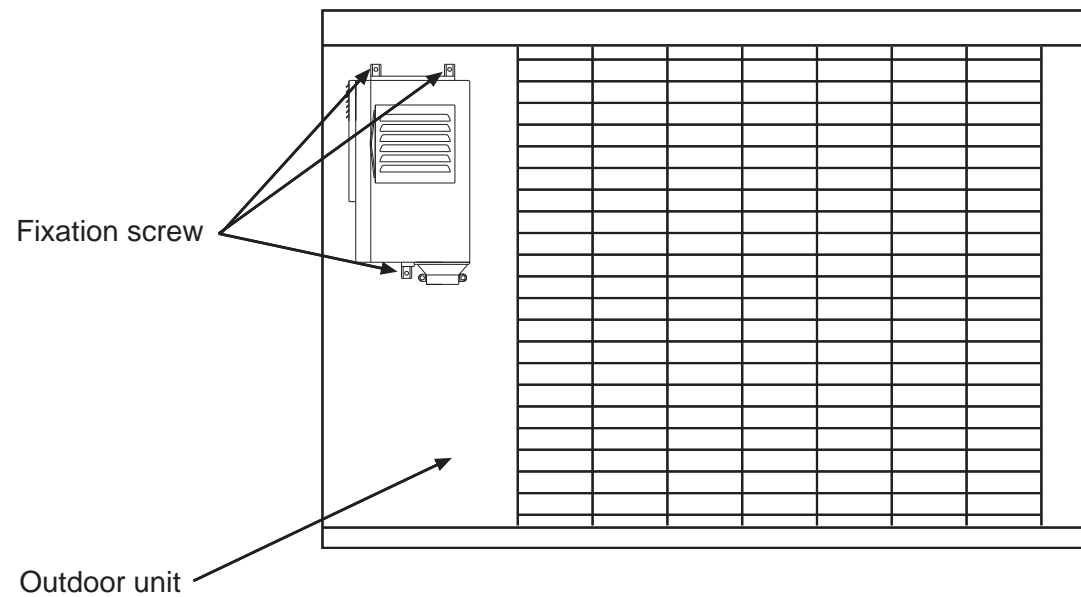
According to this sketch, follow this step when install the full energy recovery exchanger on the small out door unit:

1. Unscrew the fixation screws in outdoor unit cover
2. Fix the full energy recovery exchanger on the cover of outdoor unit with the appended screws.



Installation manual

1.The main unit installation



According to the drawing, install the full energy recovery exchanger on the corresponding place of the outdoor unit, and fix the fittings on the outdoor unit cover with the screws.

3. Pipeline installation

