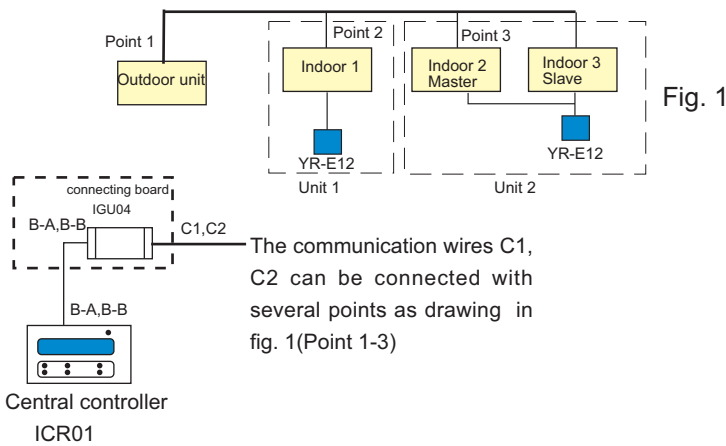
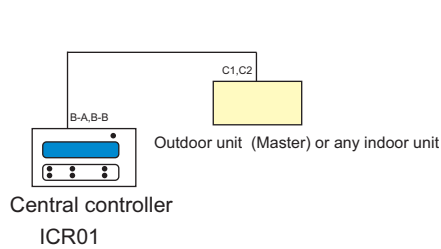


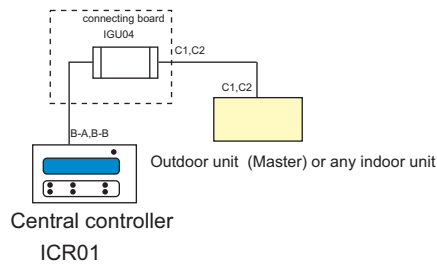
# How to install ICR01 and IGU04 with X Multi series



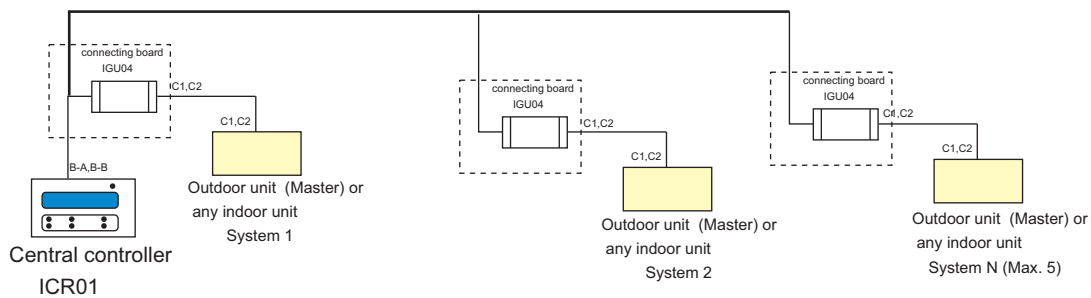
## Installation mode:



Installation type 1



Installation type 2



Installation type 3

For installation 1(Without IGU04):

Central controller dip switch : ON, ON, OFF, OFF

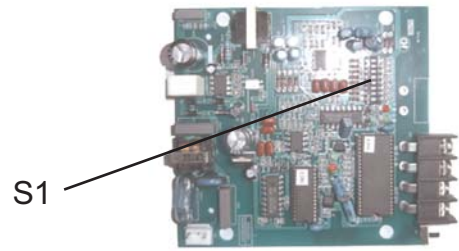
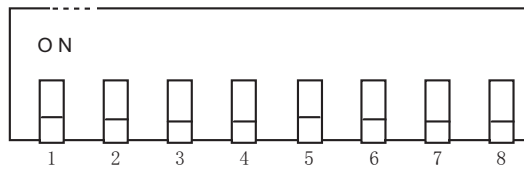
all the install units central control address must be different, the address is set by SW02

For installation 2, 3 (With IGU04):

Central controller dip switch: ON, OFF, OFF , OFF

For installation 3, multi IGU04 in one central control system, you need set IGU04 address as following:

Dip switch setting of connecting board ICR01  
 The dip switch is as below figure (ON:1, OFF: 0):

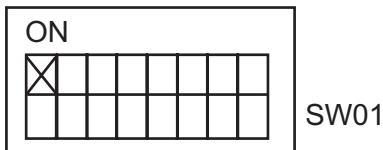


| position |     |     |     |     |     |     |     | description                  |
|----------|-----|-----|-----|-----|-----|-----|-----|------------------------------|
| [1]      | [2] | [3] | [4] | [5] | [6] | [7] | [8] |                              |
| —        | —   | 0   | 0   | 0   | 0   | 0   | 0   | connecting board address =1  |
| —        | —   | 0   | 0   | 0   | 0   | 0   | 1   | connecting board address =2  |
| -----    |     |     |     |     |     |     |     |                              |
| —        | —   | 0   | 1   | 1   | 1   | 1   | 0   | connecting board address =63 |
| —        | —   | 0   | 1   | 1   | 1   | 1   | 1   | connecting board address =64 |
| —        | 0   |     |     |     |     |     |     | central bus line: 3600baud   |
| —        | 1   |     |     |     |     |     |     | central bus line: 2400baud   |
| 1        |     |     |     |     |     |     |     | manual set address           |

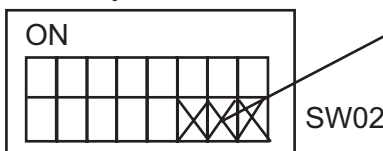
S1(3-8) is used to set IGU04 address, in one central control system, the address of IGU04s must be different with the others.

For X Multi, 2 way to set indoor address,  
 1 set address by dip switch SW02

Firstly, set SW01-1 ON



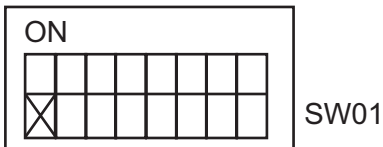
Secondly



| SW02-6 | SW02-7 | SW02-8 | Address |
|--------|--------|--------|---------|
| OFF    | OFF    | OFF    | 1       |
| OFF    | OFF    | ON     | 2       |
| OFF    | ON     | OFF    | 3       |
| OFF    | ON     | ON     | 4       |

2 Set address by remote controller YR-H65 or YR-H71

Firstly , set SW1-1 OFF



Secondly, press the emergency switch for about 15 seconds, the buzzer will sound 4 times (PI, PI, PI, PI) and then leave go of the switch. At this time, the indoor unit has entered the address setting procedure. But the LED board is blank.

Use remote controller to turn on the indoor unit, at this time, the controller should be changed from OFF to ON, and then the Timer LED flashes once. that is to say, the address setting is enabled. Press button "sleep" on the controller, the times you press it stands for the address you want to set, detailed as following:

Press button "sleep" once, the address is 1, and the timer LED flashes once.

Press button "sleep" twice, the address is 2, and the timer LED flashes twice.

Press button "sleep" three times, the address is 3, and the timer LED flashes 3 times.

Press button "sleep" four times, the address is 4, and the timer LED flashes 4 times.

Use the remote controller to turn off the unit, at this time, the controller should be changed from the LED board will always display the address of this indoor unit until the system be powered off.

If you want to change the address , please repeat the above steps.

After setting all the addresses, please power off the system and then power on again. Otherwise the system will not start to work.

After wires connection and address setting, please make it sure that the turn of communication wires is right , and then switch on the power, you can find all indoor units in central controller ICR01.

How to check the addresses?

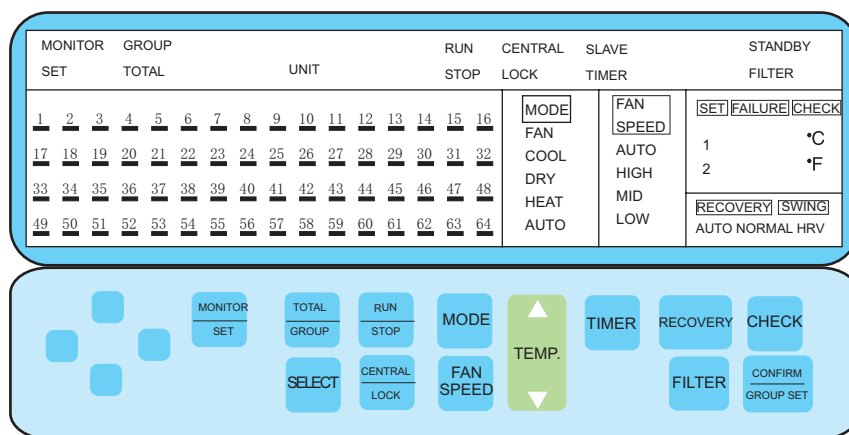
When finish all the above works, please power off and power on again to the whole system but set all the indoor units in STANDBY. then continuously press the emergency switch until you hear the buzzer sound 5 times (PI, PI, PI, PI, PI), and then the LCD display board will show the address of this indoor unit.

Press any key on the remote controller , it will exit the address checking procedure.

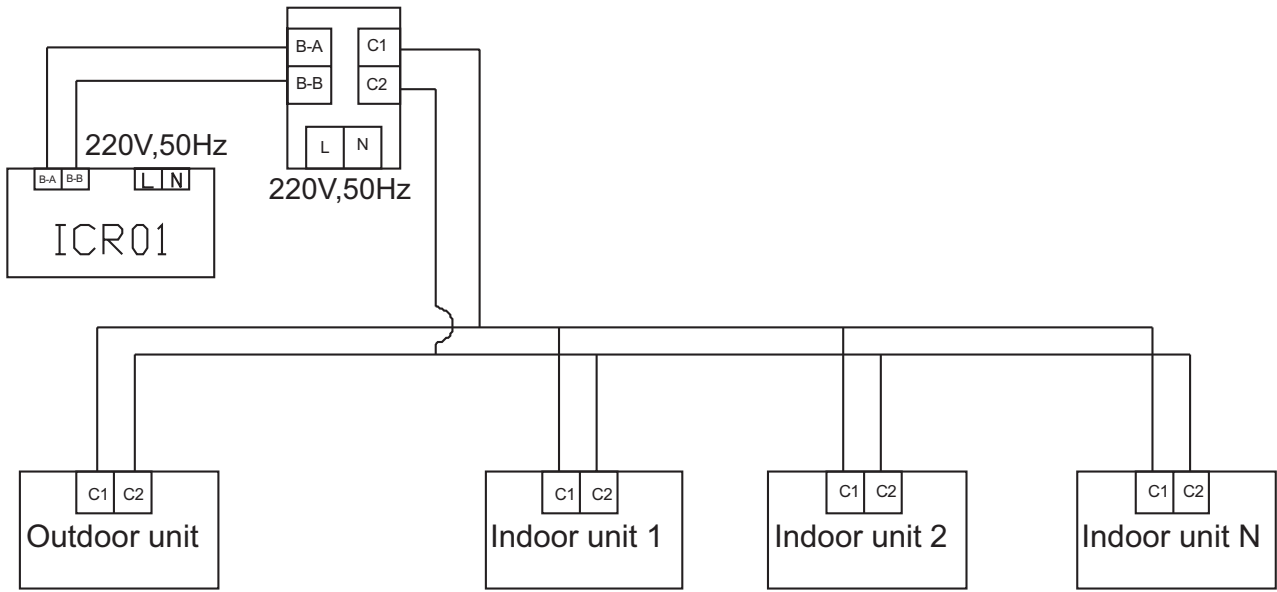
Caution:

1 For X Multi , the address range is 1-5, and all indoor address must be same with pipe valve. it means, the stop valves in outdoor unit is A1, A2, B1, B2, A1 is NO.1 , A2 is NO.2 , B1 is NO.3, B2 is NO.4. If the address is set in wrong number, the system will be in trouble!

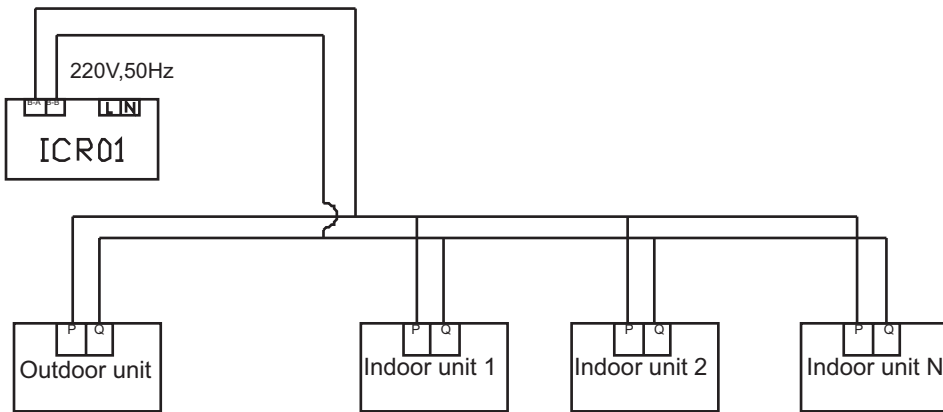
2 In central controller , the buttons Timer, Filter, Recovery are no use now. for central controller, it hasn't timer function.



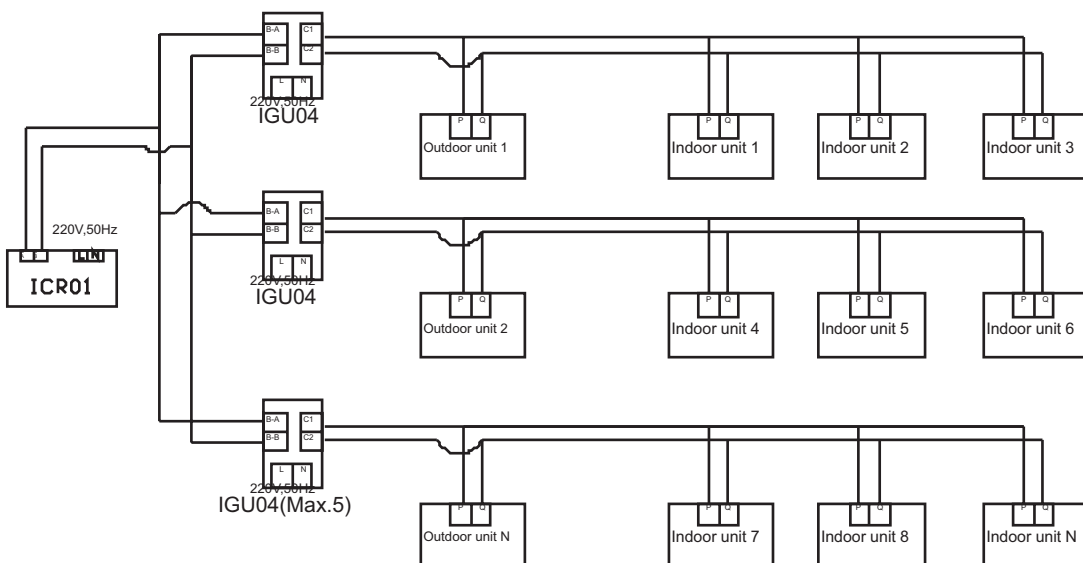
LCD and buttons on central controller



Wiring Connection Drawing 1



Wiring Connection Drawing 2



Wiring Connection Drawing 3