



Service manual

MIV V4+ Indoor units

Exposed Floor Standing

MVE22A-VA1

MVE56A-VA1

MVE28A-VA1

MVE71A-VA1

MVE36A-VA1

MVE80A-VA1

MVE45A-VA1



Exposed Floor Standing

1. Feature	2
2. Specifications.....	3
3. Dimension.....	6
4. Service Space.....	7
5. Piping Diagrams.....	8
6. Wiring Diagram	9
7. Capacity Tables	10
8. Electric Characteristics	16
9. Noise Levels	17

1. Feature

1.1 Exposed floor standing type



1.1.1. Easy installation

Floor standing types can be hung on the wall or installed on the floor. The former can make cleaning and maintenance much more easily. Running the piping from the back allows the unit to be hung on walls. Cleaning under the unit, where dust tends to accumulate, is considerably easier.

1.1.2. Easy maintenance

Filter is equipped as standard accessory; and it can be removed and cleaned easily due to Midea's sophisticated design as well as the removable blades.

Streamlined appearance makes it much more harmonious with the decoration. All metal parts are made of commercial grade galvanized steel, providing maximum protection against corrosion.

1.2. Concealed floor standing type

1.2.1. So compact that it fits into even a tiny space.

The body is concealed in the skirting-wall to pursue harmony with the interior. With 212mm depth of body dimension, it can be installed in the perimeter zone.

1.2.2. Low noise level due to special installation method for not exposed in the room space.

2. Specifications

Model			MVE22A-VA1	MVE28A-VA1	MVE36A-VA1	
Power supply		V- Ph-Hz	220-240V, 1Ph, 50Hz			
Cooling	Capacity	kW	2.2	2.8	3.6	
	Input	W	40	46	40	
	Rated current	A	0.19	0.2	0.19	
Heating	Capacity	kW	2.6	3.2	4.0	
	Input	W	40	46	35	
	Rated current	A	0.19	0.2	0.15	
Indoor fan motor	Model		YSK20-4A	YSK20-4A	YSK20-6	
	Type		AC motor			
	Brand		Welling		Yongan	
	Input	W	42/37/34	42/37/34	49/40/34	
	Capacitor	μF	0.8	1	1.2	
	Speed (hi/mid/lo)	r/min	795/753/670	935/810/720	830/750/470	
Indoor coil	Number of rows		2	2	3	
	Tube pitch(a)x row pitch(b)	mm	25.4*22	25.4*22	25.4*22	
	Fin spacing	mm	1.8	1.8	1.8	
	Fin type		Hydrophilic aluminum			
	Tube outside diameter and	mm	Φ9.52 Inner grooved tube			
	Coil length×height×width	mm	568×254×44	568×254×44	768×254×66	
	Number of circuits		3	3	3	
Indoor air flow (H/M/L)		m ³ /h	530/456/400	569/485/421	624/522/375	
External static pressure		Pa	12	12	12	
Indoor noise level (Hi/Mid/Lo)	F1B	dB(A)	36/33/29	36/33/29	37/34/30	
	F2B		36/33/29	36/33/29	37/34/30	
	F3B		36/33/29	36/33/29	37/34/30	
Indoor unit	Dimension (W×H×D)	F1B	mm	1000×625×220	1000×625×220	1200×625×220
		F2B		1000×625×220	1000×625×220	1200×625×220
		F3B		840×545×212	840×545×212	1036×212×545
	Packing (W×H×D)	F1B	mm	1089×722×312	1089×722×312	1289×722×312
		F2B		1182×722×312	1182×722×312	1382×722×312
		F3B		925×639×305	925×639×305	1125×639×305
	Net/Gross weight	F1B	kg	30/35	30/35	37/43
		F2B		30/38	30/38	37/46
		F3B		26/29.5	26/29.5	29.5/34
Refrigerant type			R410A			
Throttle		Type	EXV (Built-in)			
		Model	D20MISZ-1R(L)			
Design pressure		MPa	4.4/2.6			
Refrigerant piping	Liquid side/ Gas side	mm	Φ 6.35/Φ12.7	Φ 6.35/Φ12.7	Φ 6.35/Φ12.7	
Connecting wiring	Power wiring	mm ²	3*2.5(L≤20m); 3*3.5(L≤50m)			
	Signal wiring	mm ²	4×0.75			
Drainage water pipe diameter		mm	ODΦ16			
Controller			Wireless remote controller RM05/BG(T)E-A (Standard)to set address			
Operation temp.		°C	Cooling: 17~32; Heating:10~28			

Notes: 1. Nominal cooling capacities are based on the following conditions: return air temp. : 27°CDB, 19°CWB, outdoor temp.:35°CDB,equivalent ref. Piping: 8m(horizontal)

2. Nominal heating capacities are based on the following conditions: return air temp.: 20°CDB,outdoor temp.: 7°CDB,6°CWB,equivalent ref. Piping: 8m(horizontal)

Model			MVE45A-VA1	MVE56A-VA1
Power supply		V-	220-240V, 1Ph, 50Hz	
Cooling	Capacity	kW	4.5	5.6
	Input	W	49	88
	Rated current	A	0.22	0.38
Heating	Capacity	kW	5.0	6.3
	Input	W	49	88
	Rated current	A	0.22	0.38
Indoor fan motor	Model		YSK20-6	YSK28-4E
	Type		AC motor	
	Brand		Yongan	Welling
	Input	W	49/40/34	95/77/67
	Capacitor	μF	2	2.5
	Speed (hi/mid/lo)	r/min	880/790/555	915/770/660
Indoor coil	Number of rows		3	2
	Tube pitch(a)x row pitch(b)	mm	25.4×22	25.4×22
	Fin spacing	mm	1.8	1.8
	Fin type		Hydrophilic aluminum	
	Tube outside diameter and	mm	Φ9.52 Inner grooved tube	
	Coil length×height×width	mm	768×254×66	1068×254×44
	Number of circuits		3	4
Indoor air flow (H/M/L)		m ³ /h	660/542/440	1150/970/830
External static pressure		Pa	12	12
Indoor noise level (Hi/Mid/Lo)		F1B	37/34/30	41/35/31
		F2B	37/34/30	41/35/31
		F3B	37/34/30	41/35/31
Indoor unit	Dimension (W×H×D)	F1B	1200×625×220	1500×625×220
		F2B	1200×625×220	1500×625×220
		F3B	1036×212×545	1336×212×545
	Packing (W×H×D)	F1B	1289×722×312	1589×722×312
		F2B	1289×722×312	1682×722×312
		F3B	1125×639×305	1425×639×305
	Net/Gross weight	F1B	37/43	44/50
		F2B	37/46	44/53
		F3B	29.5/34	36/40
Refrigerant type			R410A	
Throttle		Type	EXV (Built-in)	
		Model	D20MISZ-1R(L)	
Design pressure		MPa	4.4/2.6	
Refrigerant piping	Liquid side/ Gas	mm	Φ6.35/Φ12.7	Φ9.52/Φ16
Connecting wiring	Power wiring	mm ²	3*2.5(L≤20m); 3*3.5(L≤50m)	
	Signal wiring	mm ²	4×0.75	
Drainage water pipe diameter		mm	ODΦ16	
Controller			Wireless remote controller RM05/BG(T)E-A (Standard),to set address	
Operation temp.		°C	Cooling: 17~32; Heating:10~28	

Notes: 1. Nominal cooling capacities are based on the following conditions: return air temp. : 27°CDB, 19°CWB, outdoor temp.:35°CDB,equivalent ref. Piping: 8m(horizontal)

2. Nominal heating capacities are based on the following conditions: return air temp.: 20°CDB,outdoor temp.: 7°CDB,6°CWB,equivalent ref. Piping: 8m(horizontal)

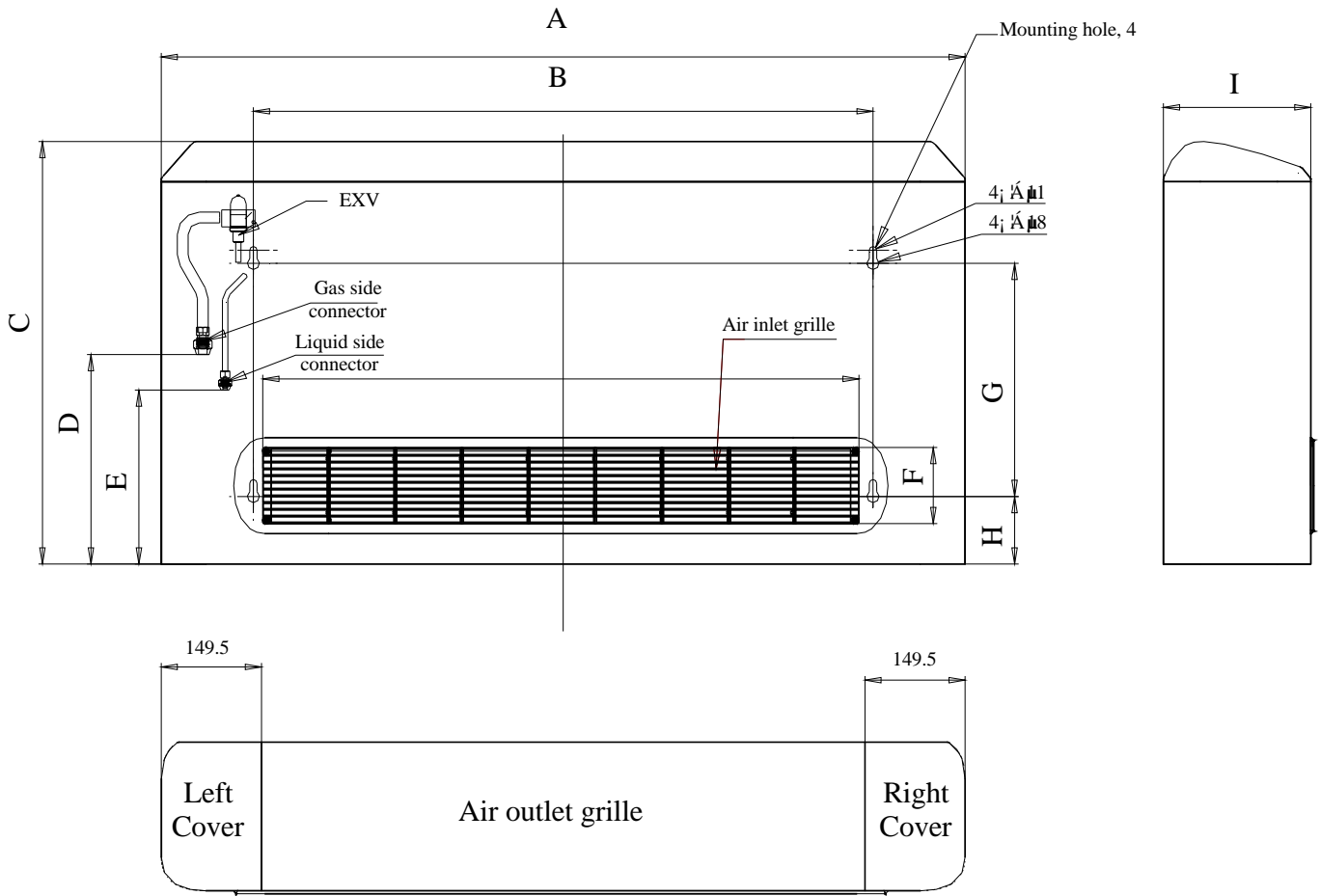
Model			MVE71A-VA1	MVE80A-VA1
Power supply		V-	220-240V, 1Ph, 50Hz	
Cooling	Capacity	kW	7.1	8.0
	Input	W	130	130
	Rated current	A	0.57	0.57
Heating	Capacity	kW	8.0	9.0
	Input	W	130	130
	Rated current	A	0.57	0.57
Indoor fan motor	Model		YSK74-4E	YSK74-4E
	Type		AC motor	
	Brand		Yongan	Yongan
	Input	W	138.5/119/97	138.5/119/97
	Capacitor	μF	3	3
	Speed (hi/mid/lo)	r/min	1120/1020/880	1120/1020/880
Indoor coil	Number of rows		2	3
	Tube pitch(a)x row pitch(b)	mm	25.4×22	25.4×22
	Fin spacing	mm	1.8	1.8
	Fin type		Hydrophilic aluminum	
	Tube outside diameter and type	mm	Φ9.52 inner grooved tube	
	Coil length×height×width	mm	1068×254×44	1068×254×66
	Number of circuits		4	3
Indoor air flow (H/M/L)		m3/h	1380/1100/870	1380/1100/870
Indoor external static pressure (Hi)		Pa	12	12
Indoor noise level (Hi/Mid/Lo)	F1B	dB(A)	44/39/33	44/39/33
	F2B		44/39/33	44/39/33
	F3B		44/39/33	44/39/33
Indoor unit	Dimension (W×H×D)	F1B	1500×625×220	1500×625×220
		F2B	1500×625×220	1500×625×220
		F3B	1336×545×212	1336×545×212
	Packing (W×H×D)	F1B	1589×722×312	1589×722×312
		F2B	1682×722×312	1682×722×312
		F3B	1425×639×305	1425×639×305
	Net/Gross weight	F1B	44/50	44/50
		F2B	44/53	44/53
		F3B	36/40	36/40
Refrigerant type			R410A	
Throttle		Type	EXV (Built-in)	
		Model	D20MISZ-1R(L)	
Design pressure		MPa	4.4/2.6	
Refrigerant piping	Liquid side/ Gas	mm	Φ9.52/Φ16	Φ9.52/Φ16
Connecting wiring	Power wiring	mm ²	3*2.5(L≤20m); 3*3.5(L≤50m)	
	Signal wiring	mm ²	4×0.75	
Drainage water pipe diameter		mm	ODΦ16	
Controller			Wireless remote controller RM05/BG(T)E-A (Standard), to set address	
Operation temp.		°C	Cooling: 17~32; Heating:10~28	

Notes: 1. Nominal cooling capacities are based on the following conditions: return air temp. : 27°CDB, 19°CWB, outdoor temp.:35°CDB,equivalent ref. Piping: 8m(horizontal)

2. Nominal heating capacities are based on the following conditions: return air temp.: 20°CDB,outdoor temp.: 7°CDB,6°CWB,equivalent ref. Piping: 8m(horizontal)

3. Dimension

Exposed Floor-standing (air inlet from front)

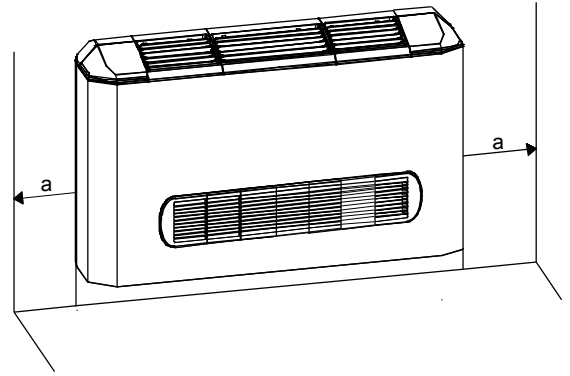


Unit: mm

MODEL (MVE-A-VA1)	A	B	C	D	E	F	G	H	I
22	1000	725	625	284	232	112	345	94	224.5
28									
36	1200	925	625	310	258	112	345	100	220.0
45									
56	1500	1225	625	310	258	112	345	100	224.5
71									
80									

4. Service Space

Vertical unit with casing, with air intake from front and air outlet on top, for installation on a wall or on feet on the floor.

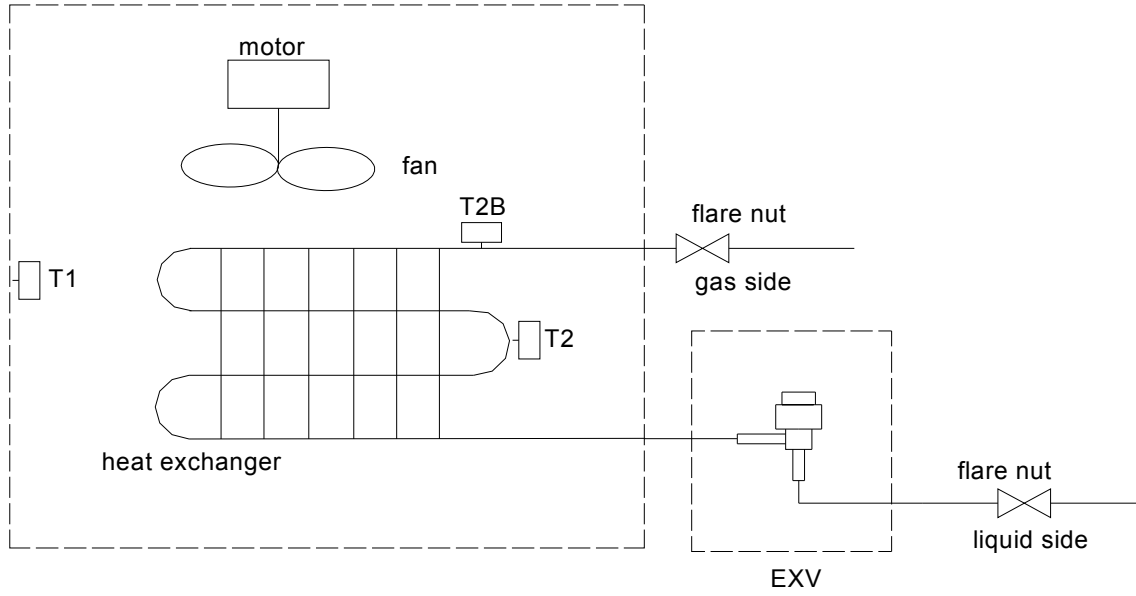


Required clearance:

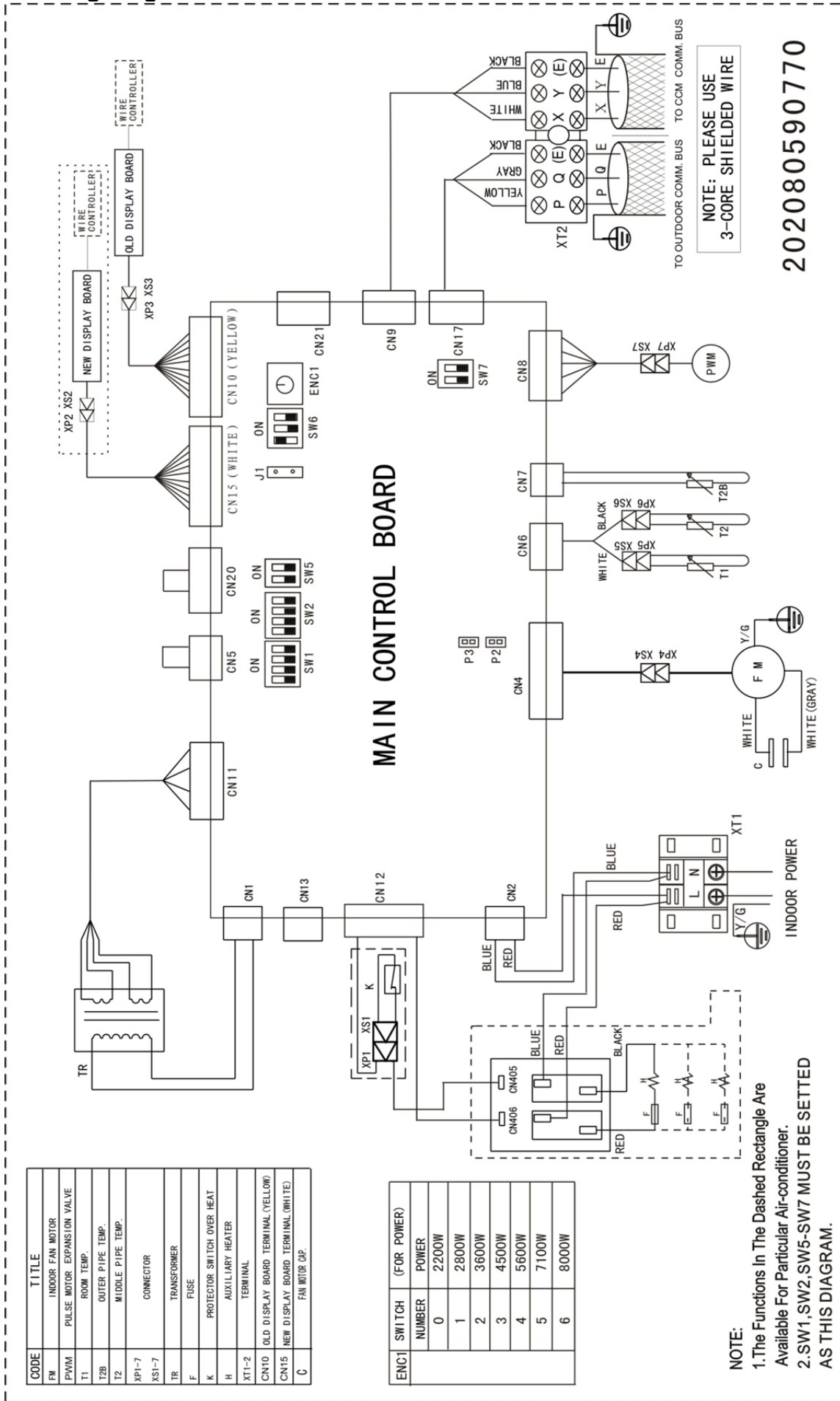
Model	Version I	Version II	Version III
a (mm)	≥150	≥150	≥200
b (mm)	-	(with bottom feet)	≥80

Additionally, it is required to keep 20mm between the rear and wall; 600mm between the front face and the obstacle. 1700mm vertical distance between the top of unit(outlet) and the upper obstacle.

5. Piping Diagrams



6. Wiring Diagram



7. Capacity Tables

7.1 Cooling

TC: total capacity SC: sensible capacity
 WB: wet-bulb temperature DB: dry-bulb temperature

Indoor Unit size (kW)	Outdoor temperature (□DB)	Indoor temperature (□WB/DB)													
		14/20		16/23		18/26		19/27		20/28		22/30		24/32	
		TC	SC	TC	SC	TC	SC	TC	SC	TC	SC	TC	SC	TC	SC
		kW	kW	kW	kW	kW	kW	kW	kW	kW	kW	kW	kW	kW	kW
2.2	10.0	1.5	1.3	1.8	1.4	2.1	1.5	2.2	1.5	2.3	1.6	2.6	1.6	2.9	1.5
	12.0	1.5	1.3	1.8	1.4	2.1	1.5	2.2	1.5	2.3	1.6	2.6	1.6	2.8	1.5
	14.0	1.5	1.3	1.8	1.4	2.1	1.5	2.2	1.5	2.3	1.6	2.6	1.6	2.8	1.5
	16.0	1.5	1.3	1.8	1.4	2.1	1.5	2.2	1.5	2.3	1.6	2.6	1.6	2.8	1.5
	18.0	1.5	1.3	1.8	1.4	2.1	1.5	2.2	1.5	2.3	1.6	2.6	1.6	2.8	1.4
	20.0	1.5	1.3	1.8	1.4	2.1	1.5	2.2	1.5	2.3	1.6	2.6	1.6	2.7	1.4
	21.0	1.5	1.3	1.8	1.4	2.1	1.5	2.2	1.5	2.3	1.6	2.6	1.6	2.7	1.4
	23.0	1.5	1.3	1.8	1.4	2.1	1.5	2.2	1.5	2.3	1.6	2.5	1.5	2.7	1.4
	25.0	1.5	1.3	1.8	1.4	2.1	1.5	2.2	1.5	2.3	1.6	2.5	1.5	2.6	1.4
	27.0	1.5	1.3	1.8	1.4	2.1	1.5	2.2	1.5	2.3	1.6	2.5	1.5	2.6	1.4
	29.0	1.5	1.3	1.8	1.4	2.1	1.5	2.2	1.5	2.3	1.6	2.4	1.4	2.5	1.4
	31.0	1.5	1.3	1.8	1.4	2.1	1.5	2.2	1.5	2.3	1.6	2.4	1.4	2.5	1.4
	33.0	1.5	1.3	1.8	1.4	2.1	1.5	2.2	1.5	2.3	1.6	2.4	1.4	2.4	1.4
	35.0	1.5	1.3	1.8	1.4	2.1	1.5	2.2	1.5	2.3	1.6	2.3	1.3	2.4	1.4
	37.0	1.5	1.3	1.8	1.4	2.1	1.5	2.2	1.5	2.3	1.6	2.3	1.3	2.3	1.4
	39.0	1.5	1.3	1.8	1.4	2.1	1.5	2.2	1.5	2.2	1.5	2.3	1.3	2.3	1.4
42.0	1.5	1.3	1.8	1.4	2.1	1.5	2.2	1.5	2.2	1.5	2.3	1.3	2.3	1.4	
44.0	1.5	1.3	1.8	1.4	2.1	1.5	2.2	1.5	2.2	1.5	2.3	1.3	2.3	1.4	
46.0	1.5	1.3	1.8	1.4	2.1	1.5	2.2	1.5	2.2	1.5	2.3	1.3	2.3	1.4	
2.8	10.0	1.9	1.6	2.3	1.8	2.6	1.9	2.8	1.9	3.0	1.9	3.3	2.0	3.7	2.0
	12.0	1.9	1.6	2.3	1.8	2.6	1.9	2.8	1.9	3.0	1.9	3.3	2.0	3.6	2.0
	14.0	1.9	1.6	2.3	1.8	2.6	1.9	2.8	1.9	3.0	1.9	3.3	2.0	3.6	2.0
	16.0	1.9	1.6	2.3	1.8	2.6	1.9	2.8	1.9	3.0	1.9	3.3	2.0	3.5	1.9
	18.0	1.9	1.6	2.3	1.8	2.6	1.9	2.8	1.9	3.0	1.9	3.3	2.0	3.5	1.9
	20.0	1.9	1.6	2.3	1.8	2.6	1.9	2.8	1.9	3.0	1.9	3.3	2.0	3.4	1.9
	21.0	1.9	1.6	2.3	1.8	2.6	1.9	2.8	1.9	3.0	1.9	3.3	2.0	3.4	1.9
	23.0	1.9	1.6	2.3	1.8	2.6	1.9	2.8	1.9	3.0	1.9	3.3	2.0	3.4	1.9
	25.0	1.9	1.6	2.3	1.8	2.6	1.9	2.8	1.9	3.0	1.9	3.2	1.9	3.3	1.9
	27.0	1.9	1.6	2.3	1.8	2.6	1.9	2.8	1.9	3.0	1.9	3.2	1.9	3.3	1.9
	29.0	1.9	1.6	2.3	1.8	2.6	1.9	2.8	1.9	3.0	1.9	3.1	1.8	3.2	1.8
	31.0	1.9	1.6	2.3	1.8	2.6	1.9	2.8	1.9	3.0	1.9	3.1	1.8	3.2	1.7
	33.0	1.9	1.6	2.3	1.8	2.6	1.9	2.8	1.9	3.0	1.9	3.1	1.8	3.1	1.7
	35.0	1.9	1.6	2.3	1.8	2.6	1.9	2.8	1.9	2.9	1.9	3.0	1.8	3.1	1.7
	37.0	1.9	1.6	2.3	1.8	2.6	1.9	2.8	1.9	2.9	1.9	3.0	1.8	3.0	1.7
	39.0	1.9	1.6	2.3	1.8	2.6	1.9	2.8	1.9	2.9	1.9	3.0	1.9	3.0	1.7
42.0	1.9	1.6	2.3	1.8	2.6	1.9	2.8	1.9	2.9	1.9	3.0	1.9	3.0	1.7	
44.0	1.9	1.6	2.3	1.8	2.6	1.9	2.8	1.9	2.9	1.9	3.0	1.9	3.0	1.7	
46.0	1.9	1.6	2.3	1.8	2.6	1.9	2.8	1.9	2.9	1.9	3.0	1.9	3.0	1.7	
3.6	10.0	2.5	1.9	2.9	2.1	3.4	2.3	3.6	2.4	3.8	2.5	4.3	2.4	4.7	2.5
	12.0	2.5	1.9	2.9	2.1	3.4	2.3	3.6	2.4	3.8	2.5	4.3	2.4	4.7	2.5
	14.0	2.5	1.9	2.9	2.1	3.4	2.3	3.6	2.4	3.8	2.5	4.3	2.4	4.6	2.4
	16.0	2.5	1.9	2.9	2.1	3.4	2.3	3.6	2.4	3.8	2.5	4.3	2.4	4.5	2.4
	18.0	2.5	1.9	2.9	2.1	3.4	2.3	3.6	2.4	3.8	2.5	4.3	2.4	4.5	2.4
	20.0	2.5	1.9	2.9	2.1	3.4	2.3	3.6	2.4	3.8	2.5	4.3	2.4	4.4	2.3
	21.0	2.5	1.9	2.9	2.1	3.4	2.3	3.6	2.4	3.8	2.5	4.3	2.4	4.4	2.3
	23.0	2.5	1.9	2.9	2.1	3.4	2.3	3.6	2.4	3.8	2.5	4.1	2.3	4.3	2.2
	25.0	2.5	1.9	2.9	2.1	3.4	2.3	3.6	2.4	3.8	2.5	4.1	2.3	4.2	2.2
	27.0	2.5	1.9	2.9	2.1	3.4	2.3	3.6	2.4	3.8	2.5	4.0	2.2	4.2	2.2
	29.0	2.5	1.9	2.9	2.1	3.4	2.3	3.6	2.4	3.8	2.5	4.0	2.2	4.1	2.2
	31.0	2.5	1.9	2.9	2.1	3.4	2.3	3.6	2.4	3.8	2.5	4.2	2.6	4.1	2.2
	33.0	2.5	1.9	2.9	2.1	3.4	2.3	3.6	2.4	3.8	2.5	4.2	2.6	3.9	2.1
	35.0	2.5	1.9	2.9	2.1	3.4	2.3	3.6	2.4	3.8	2.5	4.2	2.6	3.9	2.1
	37.0	2.5	1.9	2.9	2.1	3.4	2.3	3.6	2.4	3.7	2.4	3.8	2.3	3.9	2.1
	39.0	2.5	1.9	2.9	2.1	3.4	2.3	3.6	2.4	3.7	2.4	3.8	2.3	3.8	2.1
42.0	2.5	1.9	2.9	2.1	3.4	2.3	3.6	2.4	3.7	2.4	3.8	2.3	3.8	2.1	
44.0	2.5	1.9	2.9	2.1	3.4	2.3	3.6	2.4	3.7	2.4	3.8	2.3	3.8	2.1	
46.0	2.5	1.9	2.9	2.1	3.4	2.3	3.6	2.4	3.7	2.4	3.8	2.3	3.8	2.1	

4.5	10.0	3.1	2.4	3.7	2.6	4.2	2.8	4.5	2.9	4.8	3.0	5.3	3.4	5.9	3.0
	12.0	3.1	2.4	3.7	2.6	4.2	2.8	4.5	2.9	4.8	3.0	5.3	3.4	5.9	3.0
	14.0	3.1	2.4	3.7	2.6	4.2	2.8	4.5	2.9	4.8	3.0	5.3	3.4	5.8	3.0
	16.0	3.1	2.4	3.7	2.6	4.2	2.8	4.5	2.9	4.8	3.0	5.3	3.4	5.6	2.9
	18.0	3.1	2.4	3.7	2.6	4.2	2.8	4.5	2.9	4.8	3.0	5.3	3.4	5.7	3.0
	20.0	3.1	2.4	3.7	2.6	4.2	2.8	4.5	2.9	4.8	3.0	5.3	3.4	5.7	3.0
	21.0	3.1	2.4	3.7	2.6	4.2	2.8	4.5	2.9	4.8	3.0	5.3	3.4	5.6	3.0
	23.0	3.1	2.4	3.7	2.6	4.2	2.8	4.5	2.9	4.8	3.0	5.3	3.4	5.5	3.0
	25.0	3.1	2.4	3.7	2.6	4.2	2.8	4.5	2.9	4.8	3.0	5.2	3.0	5.4	2.9
	27.0	3.1	2.4	3.7	2.6	4.2	2.8	4.5	2.9	4.8	3.0	5.1	3.0	5.2	2.8
	29.0	3.1	2.4	3.7	2.6	4.2	2.8	4.5	2.9	4.8	3.0	5.1	2.9	5.2	2.8
	31.0	3.1	2.4	3.7	2.6	4.2	2.8	4.5	2.9	4.8	3.0	5.0	2.9	5.1	2.7
	33.0	3.1	2.4	3.7	2.6	4.2	2.8	4.5	2.9	4.8	3.0	4.9	2.8	5.1	2.7
	35.0	3.1	2.4	3.7	2.6	4.2	2.8	4.5	2.9	4.8	3.0	4.8	2.8	5.0	2.7
	37.0	3.1	2.4	3.7	2.6	4.2	2.8	4.5	2.9	4.8	3.0	4.8	2.9	4.9	2.6
	39.0	3.1	2.4	3.7	2.6	4.2	2.8	4.5	2.9	4.6	2.8	4.7	2.8	4.8	2.6
42.0	3.1	2.4	3.7	2.6	4.2	2.8	4.5	2.9	4.6	2.8	4.7	2.8	4.8	2.6	
44.0	3.1	2.4	3.7	2.6	4.2	2.8	4.5	2.9	4.6	2.8	4.7	2.8	4.8	2.6	
46.0	3.1	2.4	3.7	2.6	4.2	2.8	4.5	2.9	4.6	2.8	4.7	3.1	4.8	2.6	
5.6	10.0	3.9	2.7	4.6	3.0	5.3	3.3	5.6	3.4	5.9	3.5	6.6	3.6	7.3	3.5
	12.0	3.9	2.7	4.6	3.0	5.3	3.3	5.6	3.4	5.9	3.5	6.6	3.6	7.2	3.5
	14.0	3.9	2.7	4.6	3.0	5.3	3.3	5.6	3.4	5.9	3.5	6.6	3.6	7.1	3.5
	16.0	3.9	2.7	4.6	3.0	5.3	3.3	5.6	3.4	5.9	3.5	6.6	3.6	7.0	3.4
	18.0	3.9	2.7	4.6	3.0	5.3	3.3	5.6	3.4	5.9	3.5	6.6	3.6	6.8	3.4
	20.0	3.9	2.7	4.6	3.0	5.3	3.3	5.6	3.4	5.9	3.5	6.6	3.6	6.7	3.3
	21.0	3.9	2.7	4.6	3.0	5.3	3.3	5.6	3.4	5.9	3.5	6.6	3.6	6.6	3.3
	23.0	3.9	2.7	4.6	3.0	5.3	3.3	5.6	3.4	5.9	3.5	6.6	3.6	6.6	3.3
	25.0	3.9	2.7	4.6	3.0	5.3	3.3	5.6	3.4	5.9	3.5	6.6	3.6	6.5	3.2
	27.0	3.9	2.7	4.6	3.0	5.3	3.3	5.6	3.4	5.9	3.5	6.4	3.5	6.4	3.2
	29.0	3.9	2.7	4.6	3.0	5.3	3.3	5.6	3.4	5.9	3.5	6.3	3.5	6.4	3.3
	31.0	3.9	2.7	4.6	3.0	5.3	3.3	5.6	3.4	5.9	3.5	6.2	3.4	6.2	3.2
	33.0	3.9	2.7	4.6	3.0	5.3	3.3	5.6	3.4	5.9	3.5	6.2	3.4	6.2	3.2
	35.0	3.9	2.7	4.6	3.0	5.3	3.3	5.6	3.4	5.9	3.5	6.0	3.3	6.0	3.1
	37.0	3.9	2.7	4.6	3.0	5.3	3.3	5.6	3.4	5.9	3.5	5.9	3.2	6.0	3.1
	39.0	3.9	2.7	4.6	3.0	5.3	3.3	5.6	3.4	5.7	3.4	5.8	3.2	6.0	3.1
42.0	3.9	2.7	4.6	3.0	5.3	3.3	5.6	3.4	5.7	3.4	5.8	3.2	6.0	3.1	
44.0	3.9	2.7	4.6	3.0	5.3	3.3	5.6	3.4	5.7	3.4	5.8	3.2	6.0	3.1	
46.0	3.9	2.7	4.6	3.0	5.3	3.3	5.6	3.4	5.7	3.7	5.8	3.2	6.0	3.1	
7.1	10.0	4.9	3.6	5.8	4.0	6.7	4.3	7.1	4.5	7.5	4.4	8.4	4.5	9.2	4.6
	12.0	4.9	3.6	5.8	4.0	6.7	4.3	7.1	4.5	7.5	4.4	8.4	4.5	9.1	4.5
	14.0	4.9	3.6	5.8	4.0	6.7	4.3	7.1	4.5	7.5	4.4	8.4	4.5	9.0	4.5
	16.0	4.9	3.6	5.8	4.0	6.7	4.3	7.1	4.5	7.5	4.4	8.4	4.5	8.9	4.4
	18.0	4.9	3.6	5.8	4.0	6.7	4.3	7.1	4.5	7.5	4.4	8.4	4.5	8.7	4.3
	20.0	4.9	3.6	5.8	4.0	6.7	4.3	7.1	4.5	7.5	4.4	8.4	4.5	8.5	4.2
	21.0	4.9	3.6	5.8	4.0	6.7	4.3	7.1	4.5	7.5	4.4	8.4	4.5	8.4	4.2
	23.0	4.9	3.6	5.8	4.0	6.7	4.3	7.1	4.5	7.5	4.4	8.4	4.5	8.3	4.1
	25.0	4.9	3.6	5.8	4.0	6.7	4.3	7.1	4.5	7.5	4.4	8.4	4.5	8.2	4.1
	27.0	4.9	3.6	5.8	4.0	6.7	4.3	7.1	4.5	7.5	4.4	8.1	4.3	8.2	4.1
	29.0	4.9	3.6	5.8	4.0	6.7	4.3	7.1	4.5	7.5	4.5	8.0	4.3	8.1	4.1
	31.0	4.9	3.6	5.8	4.0	6.7	4.3	7.1	4.5	7.5	4.5	7.9	4.3	7.8	4.0
	33.0	4.9	3.6	5.8	4.0	6.7	4.3	7.1	4.5	7.5	4.5	7.8	4.2	7.8	4.0
	35.0	4.9	3.6	5.8	4.0	6.7	4.3	7.1	4.5	7.5	4.5	7.6	4.1	7.7	3.9
	37.0	4.9	3.6	5.8	4.0	6.7	4.3	7.1	4.5	7.4	4.4	7.5	4.1	7.6	4.0
	39.0	4.9	3.6	5.8	4.0	6.7	4.3	7.1	4.5	7.2	4.3	7.4	4.1	7.6	4.0
42.0	4.9	3.6	5.8	4.0	6.7	4.3	7.1	4.5	7.2	4.3	7.4	4.1	7.6	4.0	
44.0	4.9	3.6	5.8	4.0	6.7	4.3	7.1	4.5	7.2	4.3	7.4	4.1	7.6	4.0	
46.0	4.9	3.6	5.8	4.0	6.7	4.3	7.1	4.5	7.2	4.3	7.4	4.1	7.6	4.0	
8.0	10.0	5.5	4.4	6.6	4.9	7.5	5.3	8.0	5.5	8.4	5.4	9.4	5.5	10.4	5.6
	12.0	5.5	4.4	6.6	4.9	7.5	5.3	8.0	5.5	8.4	5.4	9.4	5.5	10.2	5.5
	14.0	5.5	4.4	6.6	4.9	7.5	5.3	8.0	5.5	8.4	5.4	9.4	5.5	10.2	5.5
	16.0	5.5	4.4	6.6	4.9	7.5	5.3	8.0	5.5	8.4	5.4	9.4	5.5	10.0	5.4
	18.0	5.5	4.4	6.6	4.9	7.5	5.3	8.0	5.5	8.4	5.4	9.4	5.5	9.8	5.3
	20.0	5.5	4.4	6.6	4.9	7.5	5.3	8.0	5.5	8.4	5.4	9.4	5.5	9.6	5.2
	21.0	5.5	4.4	6.6	4.9	7.5	5.3	8.0	5.5	8.4	5.4	9.4	5.5	9.4	5.1
	23.0	5.5	4.4	6.6	4.9	7.5	5.3	8.0	5.5	8.4	5.4	9.4	5.5	9.4	5.1

	25.0	5.5	4.4	6.6	4.9	7.5	5.3	8.0	5.5	8.4	5.4	9.4	5.5	9.3	5.0
	27.0	5.5	4.4	6.6	4.9	7.5	5.3	8.0	5.5	8.4	5.4	9.1	5.3	9.2	5.1
	29.0	5.5	4.4	6.6	4.9	7.5	5.3	8.0	5.5	8.4	5.5	9.0	5.3	9.1	5.0
	31.0	5.5	4.4	6.6	4.9	7.5	5.3	8.0	5.5	8.4	5.5	8.9	5.2	8.8	4.8
	33.0	5.5	4.4	6.6	4.9	7.5	5.3	8.0	5.5	8.4	5.5	8.8	5.2	8.8	4.8
	35.0	5.5	4.4	6.6	4.9	7.5	5.3	8.0	5.5	8.4	5.5	8.6	5.1	8.6	4.8
	37.0	5.5	4.4	6.6	4.9	7.5	5.3	8.0	5.5	8.3	5.4	8.4	5.0	8.6	4.9
	39.0	5.5	4.4	6.6	4.9	7.5	5.3	8.0	5.5	8.1	5.3	8.3	5.0	8.6	4.9
	42.0	5.5	4.4	6.6	4.9	7.5	5.3	8.0	5.5	8.1	5.3	8.3	5.0	8.6	4.9
	44.0	5.5	4.4	6.6	4.9	7.5	5.3	8.0	5.5	8.1	5.3	8.3	5.0	8.6	4.9
	46.0	5.5	4.4	6.6	4.9	7.5	5.3	8.0	5.5	8.1	5.3	8.3	5.0	8.6	4.9

7.2 Heating

TC: total capacity

WB: wet-bulb temperature DB: dry-bulb temperature

Indoor Unit size (kW)	Outdoor temperature (□)		Indoor temperature (□ DB)					
			16.00	18.00	20.00	21.00	22.00	24.00
	WB	DB	TC kW	TC kW	TC kW	TC kW	TC kW	TC kW
2.2	-20	-19.8	1.46	1.46	1.46	1.46	1.46	1.46
	-19	-18.8	1.56	1.56	1.56	1.56	1.56	1.56
	-17	-16.7	1.64	1.64	1.64	1.64	1.64	1.64
	-15	-14.7	1.69	1.69	1.69	1.69	1.69	1.69
	-13.00	-12.60	1.79	1.79	1.79	1.79	1.79	1.79
	-11.00	-10.50	1.82	1.85	1.85	1.85	1.85	1.85
	-10.00	-9.50	1.90	1.90	1.90	1.90	1.90	1.90
	-9.10	-8.50	1.95	1.95	1.95	1.95	1.95	1.95
	-7.60	-7.00	1.98	1.98	1.98	1.98	1.98	1.98
	-5.60	-5.00	2.05	2.05	2.05	2.05	2.05	2.05
	-3.70	-3.00	2.16	2.16	2.16	2.16	2.16	2.16
	-0.70	0.00	2.31	2.31	2.31	2.31	2.31	2.18
	2.20	3.00	2.44	2.44	2.44	2.44	2.39	2.18
	4.10	5.00	2.52	2.52	2.52	2.52	2.39	2.18
	6.00	7.00	2.60	2.60	2.60	2.52	2.39	2.18
	7.90	9.00	2.68	2.68	2.60	2.52	2.39	2.18
9.80	11.00	2.76	2.76	2.60	2.52	2.39	2.18	
11.80	13.00	2.86	2.81	2.60	2.52	2.39	2.18	
13.70	15.00	2.94	2.81	2.60	2.52	2.39	2.18	
2.8	-20	-19.8	1.79	1.79	1.79	1.79	1.79	1.79
	-19	-18.8	1.92	1.92	1.92	1.92	1.92	1.92
	-17	-16.7	2.02	2.02	2.02	2.02	2.02	2.02
	-15	-14.7	2.02	2.02	2.02	2.02	2.02	2.02
	-13.00	-12.60	2.14	2.14	2.14	2.14	2.14	2.14
	-11.00	-10.50	2.24	2.24	2.24	2.24	2.24	2.24
	-10.00	-9.50	2.34	2.34	2.34	2.34	2.34	2.34
	-9.10	-8.50	2.40	2.40	2.40	2.40	2.40	2.40
	-7.60	-7.00	2.43	2.43	2.43	2.43	2.43	2.43
	-5.60	-5.00	2.53	2.53	2.53	2.53	2.53	2.53
	-3.70	-3.00	2.66	2.66	2.66	2.66	2.66	2.66
	-0.70	0.00	2.85	2.85	2.85	2.85	2.85	2.69
	2.20	3.00	3.01	3.01	3.01	3.01	2.94	2.69
	4.10	5.00	3.10	3.10	3.10	3.10	2.94	2.69
	6.00	7.00	3.20	3.20	3.20	3.10	2.94	2.69
	7.90	9.00	3.30	3.30	3.20	3.10	2.94	2.69
9.80	11.00	3.39	3.39	3.20	3.10	2.94	2.69	
11.80	13.00	3.52	3.46	3.20	3.10	2.94	2.69	
13.70	15.00	3.62	3.46	3.20	3.10	2.94	2.69	
3.6	-20	-19.8	2.24	2.24	2.24	2.24	2.24	2.24
	-19	-18.8	2.40	2.40	2.40	2.40	2.40	2.40
	-17	-16.7	2.52	2.52	2.52	2.52	2.52	2.52
	-15	-14.7	2.60	2.60	2.60	2.60	2.60	2.60
	-13.00	-12.60	2.68	2.68	2.68	2.68	2.68	2.68
	-11.00	-10.50	2.80	2.80	2.80	2.80	2.80	2.80
	-10.00	-9.50	2.92	2.92	2.92	2.92	2.92	2.92
	-9.10	-8.50	3.00	3.00	3.00	3.00	3.00	3.00
	-7.60	-7.00	3.04	3.04	3.04	3.04	3.04	3.04
	-5.60	-5.00	3.16	3.16	3.16	3.16	3.16	3.16
	-3.70	-3.00	3.32	3.32	3.32	3.32	3.32	3.32
	-0.70	0.00	3.56	3.56	3.56	3.56	3.56	3.36
	2.20	3.00	3.76	3.76	3.76	3.76	3.68	3.36
	4.10	5.00	3.88	3.88	3.88	3.88	3.68	3.36
	6.00	7.00	4.00	4.00	4.00	3.88	3.68	3.36
	7.90	9.00	4.12	4.12	4.00	3.88	3.68	3.36
9.80	11.00	4.24	4.24	4.00	3.88	3.68	3.36	
11.80	13.00	4.40	4.32	4.00	3.88	3.68	3.36	
13.70	15.00	4.52	4.32	4.00	3.88	3.68	3.36	
4.5	-20	-19.8	2.80	2.80	2.80	2.80	2.80	2.80

	-19	-18.8	3.00	3.00	3.00	3.00	3.00	3.00
	-17	-16.7	3.15	3.15	3.15	3.15	3.15	3.15
	-15	-14.7	3.25	3.25	3.25	3.25	3.25	3.25
	-13.00	-12.60	3.35	3.35	3.35	3.35	3.35	3.35
	-11.00	-10.50	3.50	3.50	3.50	3.50	3.50	3.50
	-10.00	-9.50	3.65	3.65	3.65	3.65	3.65	3.65
	-9.10	-8.50	3.75	3.75	3.75	3.75	3.75	3.75
	-7.60	-7.00	3.80	3.80	3.80	3.80	3.80	3.80
	-5.60	-5.00	3.95	3.95	3.95	3.95	3.95	3.95
	-3.70	-3.00	4.15	4.15	4.15	4.15	4.15	4.15
	-0.70	0.00	4.45	4.45	4.45	4.45	4.45	4.20
	2.20	3.00	4.70	4.70	4.70	4.70	4.60	4.20
	4.10	5.00	4.85	4.85	4.85	4.85	4.60	4.20
	6.00	7.00	5.00	5.00	5.00	4.85	4.60	4.20
	7.90	9.00	5.15	5.15	5.00	4.85	4.60	4.20
	9.80	11.00	5.30	5.30	5.00	4.85	4.60	4.20
11.80	13.00	5.50	5.40	5.00	4.85	4.60	4.20	
13.70	15.00	5.65	5.40	5.00	4.85	4.60	4.20	
5.6	-20	-19.8	3.53	3.53	3.53	3.53	3.53	3.53
	-19	-18.8	3.78	3.78	3.78	3.78	3.78	3.78
	-17	-16.7	3.97	3.97	3.97	3.97	3.97	3.97
	-15	-14.7	4.10	4.10	4.10	4.10	4.10	4.10
	-13.00	-12.60	4.22	4.22	4.22	4.22	4.22	4.22
	-11.00	-10.50	4.41	4.41	4.41	4.41	4.41	4.41
	-10.00	-9.50	4.60	4.60	4.60	4.60	4.60	4.60
	-9.10	-8.50	4.73	4.73	4.73	4.73	4.73	4.73
	-7.60	-7.00	4.79	4.79	4.79	4.79	4.79	4.79
	-5.60	-5.00	4.98	4.98	4.98	4.98	4.98	4.98
	-3.70	-3.00	5.23	5.23	5.23	5.23	5.23	5.23
	-0.70	0.00	5.61	5.61	5.61	5.61	5.61	5.29
	2.20	3.00	5.92	5.92	5.92	5.92	5.80	5.29
	4.10	5.00	6.11	6.11	6.11	6.11	5.80	5.29
	6.00	7.00	6.30	6.30	6.30	6.11	5.80	5.29
	7.90	9.00	6.49	6.49	6.30	6.11	5.80	5.29
9.80	11.00	6.68	6.68	6.30	6.11	5.80	5.29	
11.80	13.00	6.93	6.80	6.30	6.11	5.80	5.29	
13.70	15.00	7.12	6.80	6.30	6.11	5.80	5.29	
7.1	-20	-19.8	4.48	4.48	4.48	4.48	4.48	4.48
	-19	-18.8	4.80	4.80	4.80	4.80	4.80	4.80
	-17	-16.7	5.04	5.04	5.04	5.04	5.04	5.04
	-15	-14.7	5.20	5.20	5.20	5.20	5.20	5.20
	-13.00	-12.60	5.36	5.36	5.36	5.36	5.36	5.36
	-11.00	-10.50	5.60	5.60	5.60	5.60	5.60	5.60
	-10.00	-9.50	5.84	5.84	5.84	5.84	5.84	5.84
	-9.10	-8.50	6.00	6.00	6.00	6.00	6.00	6.00
	-7.60	-7.00	6.08	6.08	6.08	6.08	6.08	6.08
	-5.60	-5.00	6.32	6.32	6.32	6.32	6.32	6.32
	-3.70	-3.00	6.64	6.64	6.64	6.64	6.64	6.64
	-0.70	0.00	7.12	7.12	7.12	7.12	7.12	6.72
	2.20	3.00	7.52	7.52	7.52	7.52	7.36	6.72
	4.10	5.00	7.76	7.76	7.76	7.76	7.36	6.72
	6.00	7.00	8.00	8.00	8.00	7.76	7.36	6.72
	7.90	9.00	8.24	8.24	8.00	7.76	7.36	6.72
9.80	11.00	8.48	8.48	8.00	7.76	7.36	6.72	
11.80	13.00	8.80	8.64	8.00	7.76	7.36	6.72	
13.70	15.00	9.04	8.64	8.00	7.76	7.36	6.72	
8.0	-20	-19.8	5.04	5.04	5.04	5.04	5.04	5.04
	-19	-18.8	5.40	5.40	5.40	5.40	5.40	5.40
	-17	-16.7	5.67	5.67	5.67	5.67	5.67	5.67
	-15	-14.7	5.85	5.85	5.85	5.85	5.85	5.85
	-13.00	-12.60	6.03	6.03	6.03	6.03	6.03	6.03
	-11.00	-10.50	6.30	6.30	6.30	6.30	6.30	6.30
	-10.00	-9.50	6.57	6.57	6.57	6.57	6.57	6.57
	-9.10	-8.50	6.75	6.75	6.75	6.75	6.75	6.75
-7.60	-7.00	6.84	6.84	6.84	6.84	6.84	6.84	

	-5.60	-5.00	7.11	7.11	7.11	7.11	7.11	7.11
	-3.70	-3.00	7.47	7.47	7.47	7.47	7.47	7.47
	-0.70	0.00	8.01	8.01	8.01	8.01	8.01	7.56
	2.20	3.00	8.46	8.46	8.46	8.46	8.28	7.56
	4.10	5.00	8.73	8.73	8.73	8.73	8.28	7.56
	6.00	7.00	9.00	9.00	9.00	8.73	8.28	7.56
	7.90	9.00	9.27	9.27	9.00	8.73	8.28	7.56
	9.80	11.00	9.54	9.54	9.00	8.73	8.28	7.56
	11.80	13.00	9.90	9.72	9.00	8.73	8.28	7.56
	13.70	15.00	10.17	9.72	9.00	8.73	8.28	7.56

8. Electric Characteristics

Model	Indoor Unit				Power Supply		IFM	
	Hz	Voltage	Min.	Max.	MCA	MFA	KW	FLA
MVE22A-VA1	50	220-240V	198	254	0.25	15	0.042	0.2
MVE28A-VA1	50	220-240V	198	254	0.25	15	0.042	0.2
MVE36A-VA1	50	220-240V	198	254	0.3	15	0.049	0.24
MVE45A-VA1	50	220-240V	198	254	0.4	15	0.06	0.3
MVE56A-VA1	50	220-240V	198	254	0.6	15	0.095	0.48
MVE71A-VA1	50	220-240V	198	254	0.8	15	0.138	0.62
MVE80A-VA1	50	220-240V	198	254	0.8	15	0.138	0.62

Remark:

MCA: Min. Current Amps. (A)

MFA: Max. Fuse Amps. (A)

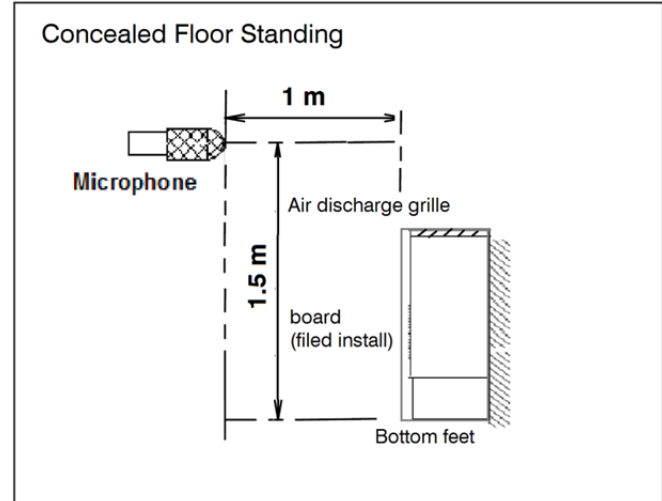
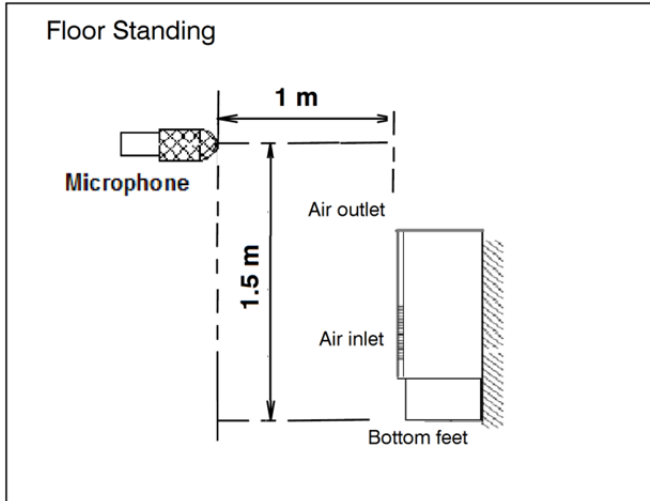
KW: Fan Motor Rated Output (kW)

FLA: Full Load Amps. (A)

IFM:Indoor Fan Motor

9. Noise Levels

9.1 Test condition



Note:

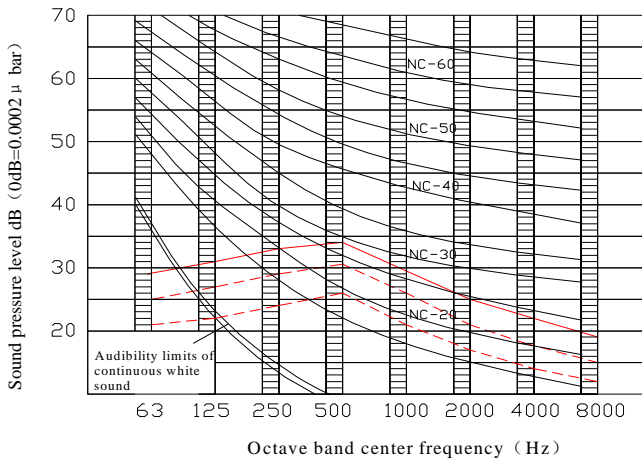
- 1, during actual operation, these values are normally somewhat higher as a result of ambient conditions.
- 2, Anechoic chamber conversion value, measured at a point 1m in front of the unit at a height of 1.5m

9.2 Test value

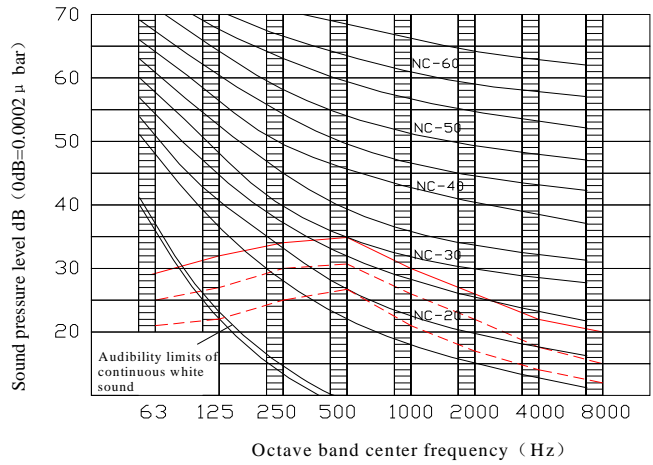
Model	Noise test value dB(A)		
	Hi	Mid	Low
MVE22A-VA1	36	33	29
MVE28A-VA1	36	33	29
MVE36A-VA1	37	34	30
MVE45A-VA1	37	34	30
MVE56A-VA1	41	35	31
MVE71A-VA1	44	39	33
MVE80A-VA1	44	39	33

9.3 Octave Band Level

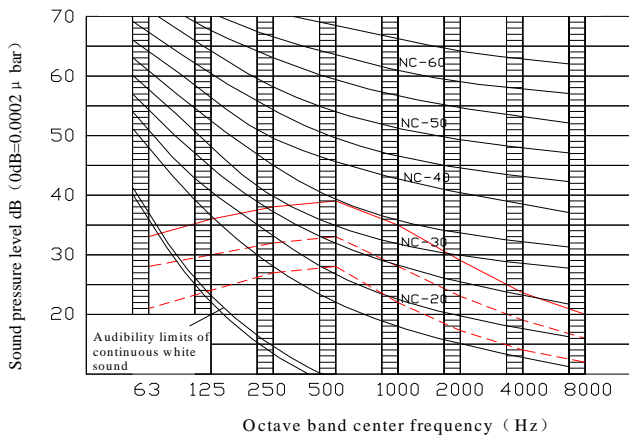
MVE22A-VA1
MVE28A-VA1



MVE36A-VA1
MVE45A-VA1



MVE56A-VA1



MVE71A-VA1
MVE80A-VA1

