



# Service manual

## MIV V4+ Indoor units

### One-way Cassette Type

MVN28A-VA1

MVN36A-VA1

MVN45A-VA1

MVN56A-VA1

MVN71A-VA1



# One-way Cassette Type

<b>1. Feature</b> .....	<b>2</b>
<b>2. Specifications</b> .....	<b>3</b>
<b>3. Dimensions</b> .....	<b>5</b>
<b>4. Service Space</b> .....	<b>7</b>
<b>5. Piping Diagrams</b> .....	<b>8</b>
<b>6. Wiring Diagram</b> .....	<b>9</b>
<b>7. Capacity Tables</b> .....	<b>10</b>
<b>8. Electric Characteristics</b> .....	<b>14</b>
<b>9. Sound Levels</b> .....	<b>15</b>

## 1. Feature

1.1 Lower noise level

1.2 Smoother air flow with less turbulence

1.3 Single-flow type allows effective air discharge from corner or from drop-ceiling.

---Quick cooling



1.4 Stylish design

---Be harmonious with any interior decoration and creates an elegant environment

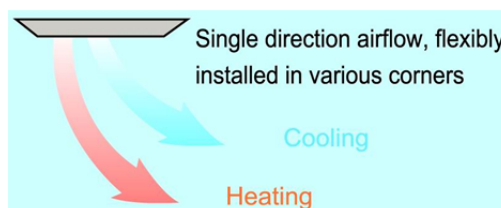
1.5 Ultra-thin main body

Slim body needs only 235 mm space above the ceiling.



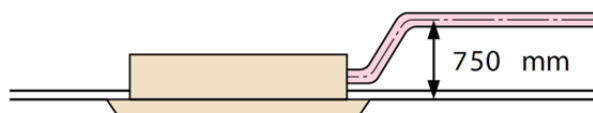
1.6 Convenient installation

----One direction air flow guarantee quick cooling, flexible installation position.



---Standardized sectional module

1.7 Built-in water pumping with 750mm pumping head.



1.8 Easier to do cleaning and maintenance

---Flat type suction grille of easy cleaning

## 2. Specifications

Model			MVN28A-VA1	MVN36A-VA1
Power supply		V- Ph-Hz	220-240V~, 1Ph, 50Hz	
Cooling	Capacity	kW	2.8	3.6
	Input	W	53	53
	Rated current	A	0.3	0.3
Heating	Capacity	kW	3.2	4.0
	Input	W	53	53
	Rated current	A	0.3	0.3
Indoor fan motor	Model		YSK20-4	
	Type		Centrifugal fan	
	Brand		Welling	
	Input	W	44/42/40	44/42/40
	Capacitor	μF	1.2/450v	1.2/450v
	Speed (hi/mid/lo)	r/min	970/900/820	
Indoor coil	Number of rows		3	3
	Tube pitch(a)x row pitch(b)	mm	25.4x22	25.4x22
	Fin spacing	mm	1.8	1.8
	Fin type		Hydrophilic aluminum	
	Tube outside dia. and type	mm	Φ9.52 Inner groove tube	
	Coil length x height x width	mm	600x208x66	
	Number of circuits		2	2
Indoor air flow (H/M/L)		m <sup>3</sup> /h	500/450/410	
Indoor noise level (Hi/Mid/Lo)		dB(A)	36/34/30	
Indoor unit	Dimension (W×H×D)	mm	850×235×400	
	Packing (W×H×D)	mm	1080X320X460	
	Net/Gross weight	kg	23/27	23/27
panel	Model		T-MBQ1-04	
	Dimension (W×H×D)	mm	1050x18x470	
	Packing (W×H×D)	mm	1100x40x520	
	Net/Gross weight	Kg	4/6	4/6
Refrigerant type			R410A	
Throttle	Type		Electrical expand valve	
	Model		IPF-24D24 (EXV beside)	
Design pressure		MPa	4.4/2.6	4.4/2.6
Refrigerant piping	Liquid side/ Gas side	mm	Φ6.35/ Φ12.7	Φ6.35/ Φ12.7
Connecting wiring	Power wiring	mm <sup>2</sup>	2.0	2.0
	Signal wiring	mm <sup>2</sup>	0.75	0.75
Drainage water pipe dia.		mm	ODΦ16	
Controller			Wireless remote controller (RM05/BG(T)E-A) to set address	
Operation temp		°C	17-30	17-30

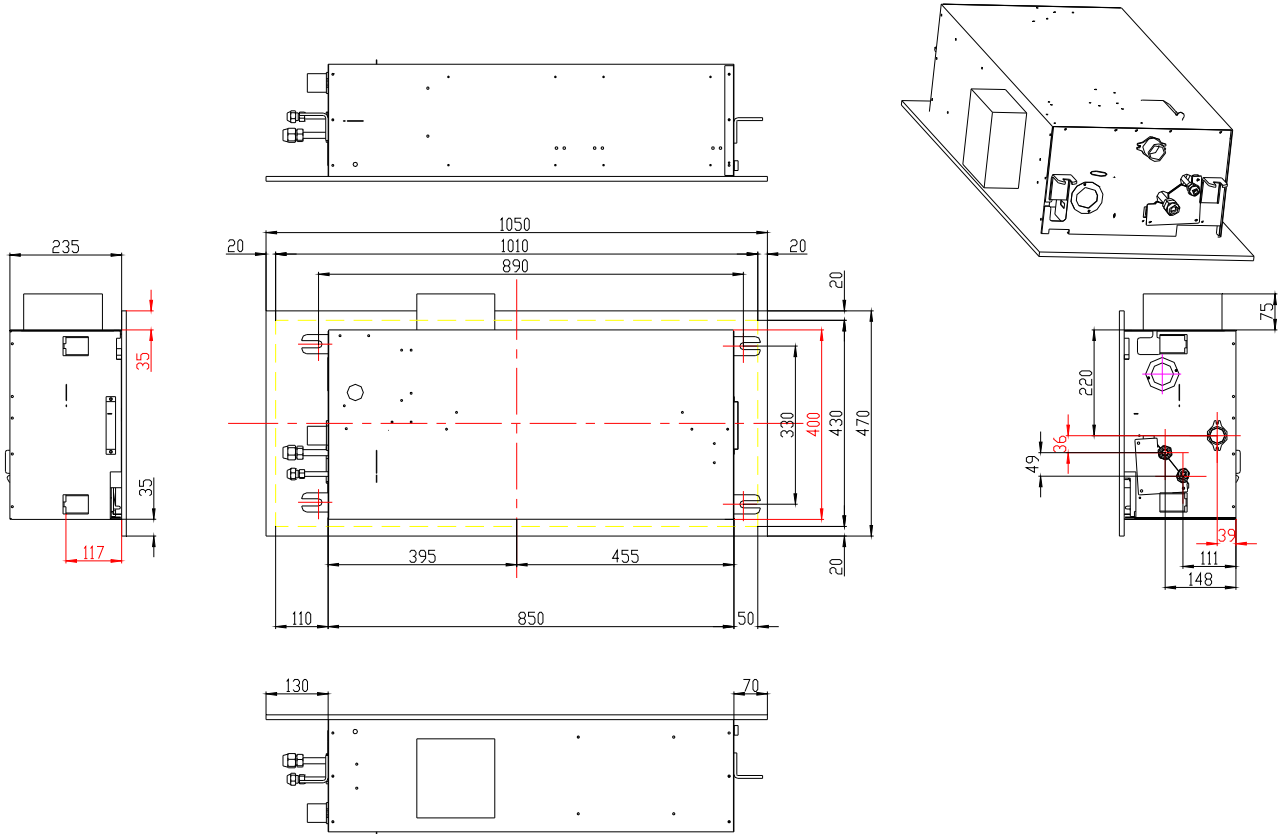
- Notes:** 1. Nominal cooling capacities are based on the following conditions: return air temp. : 27°CDB,19°CWB, outdoor temp.:35°CDB,equivalent ref. Piping: 8m(horizontal)
2. Nominal heating capacities are based on the following conditions: return air temp.: 20°CDB, outdoor temp.: 7°CDB,6°CWB,equivalent ref. Piping: 8m(horizontal)

Model			MVN45A-VA1	MVN56A-VA1	MVN71A-VA1
Power supply		V- Ph-Hz	220-240V~, 1Ph, 50Hz		
Cooling	Capacity	kW	4.5	5.6	7.1
	Input	W	86	86	86
	Rated current	A	0.4	0.41	0.45
Heating	Capacity	kW	5.0	6.3	8.0
	Input	W	86	86	86
	Rated current	A	0.42	0.42	0.45
Indoor motor fan	Model		YSK55-4		
	Type		Centrifugal fan		
	Brand		Welling		
	Input	W	82/80/73	82/80/73	82/80/73
	Capacitor	μF	2.5/450v	2.5/450v	2.5/450v
	Speed (hi/mid/lo)	r/min	1180/1120/990		
Indoor coil	Number of rows		3	3	3
	Tube pitch(a)x row pitch(b)	mm	25.4X14.4	25.4X14.4	25.4X14.4
	Fin spacing	mm	1.6	1.6	1.6
	Fin type		Hydrophilic aluminum		
	Tube outside dia. and type	mm	Φ7.94 Inner groove tube		
	Coil length x height x width	mm	1040X200X43.2		
	Number of circuits		6	6	6
Indoor air flow (H/M/L)		m <sup>3</sup> /h	894/800/750	919/850/760	1080/980/900
Indoor noise level (Hi/Mid/Lo)		dB(A)	41/38/35	41/38/35	41/38/35
Indoor unit	Dimension (W×H×D)	mm	1200×198×655		
	Packing (W×H×D)	mm	1380X265X775		
	Net/Gross weight	kg	31/38	31/38	31/38
panel	Model		T-MBQ1-03A		
	Dimension (W×H×D)	mm	1420×10×755		
	Packing (W×H×D)	mm	1470×50×805		
	Net/Gross weight	Kg	9/11	9/11	9/11
Refrigerant type			R410A		
Throttle	Type		Electrical expand valve		
	Model		IPF-24D24 (EXV beside)		
Design pressure		MPa	4.4/2.6	4.4/2.6	4.4/2.6
Refrigerant piping	Liquid side/ Gas side	mm	Φ6.35/ Φ12.7	Φ9.52/ Φ15.9	Φ9.52/ Φ15.9
Connecting wiring	Power wiring	mm <sup>2</sup>	2.0	2.0	2.0
	Signal wiring	mm <sup>2</sup>	0.75	0.75	0.75
Drainage water pipe dia.		mm	ODΦ16		
Standard Controller			Wireless remote controller (RM05/BG(T)E-A) to set address		
Operation temp		°C	17-30	17-30	17-30

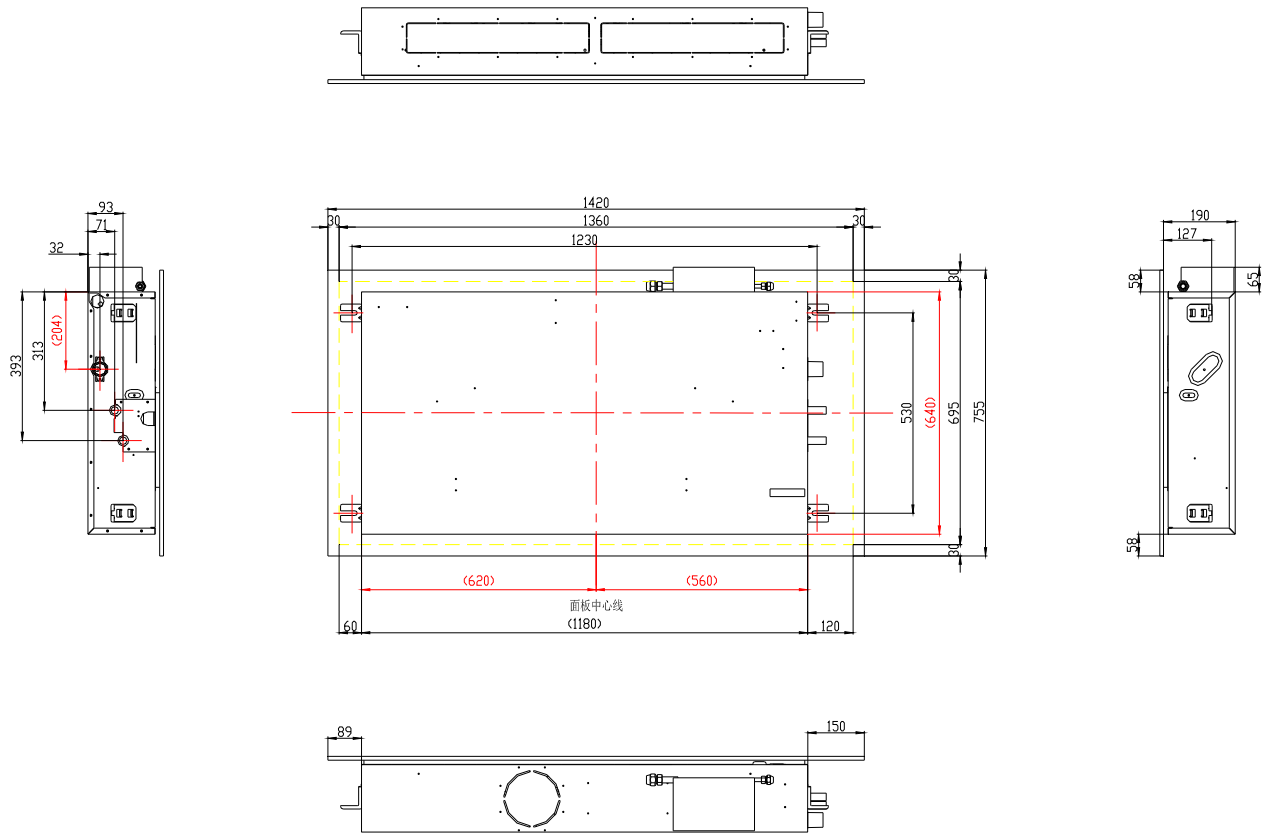
- Notes:** 1. Nominal cooling capacities are based on the following conditions: return air temp. : 27°CDB, 19°CWB, outdoor temp.: 35°CDB, equivalent ref. Piping: 8m(horizontal)
2. Nominal heating capacities are based on the following conditions: return air temp.: 20°CDB, outdoor temp.: 7°CDB, 6°CWB, equivalent ref. Piping: 8m(horizontal)

### 3. Dimensions

#### 3.1 MVN28A-VA1 MVN36A-VA1

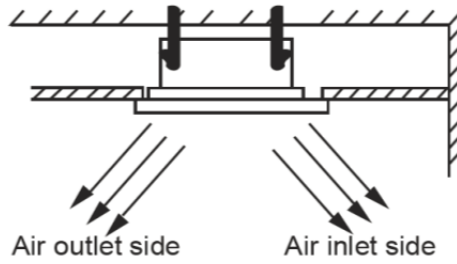
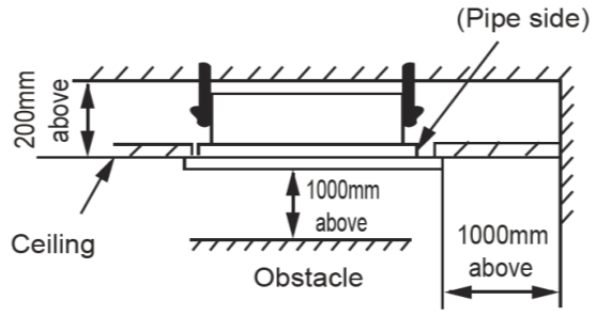


3.2 MVN45A-VA1 MVN56A-VA1 MVN71A-VA1



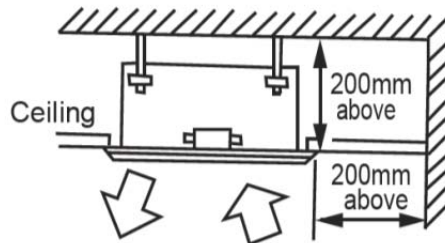
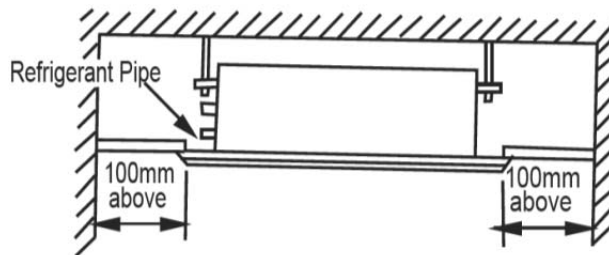
**4. Service Space**

MVN28A-VA1 MVN36A-VA1



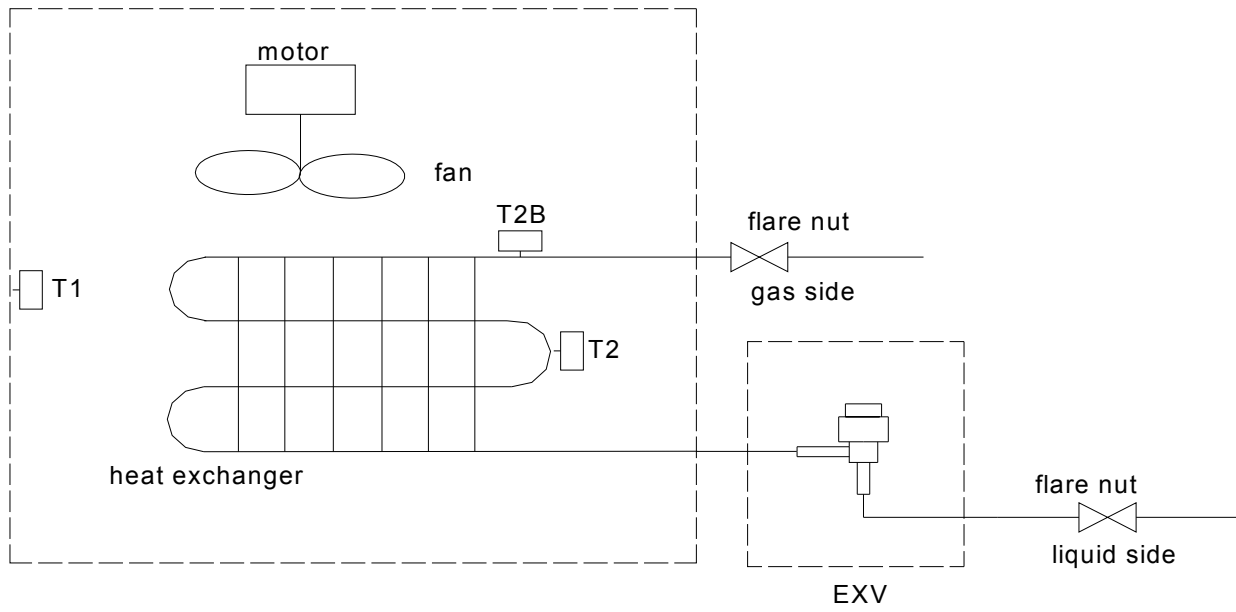
MVN45A-VA1 MVN56A-VA1

MVN71A-VA1





### 5. Piping Diagram





## 7. Capacity Tables

### 7.1 Cooling

TC: total capacity

SC: sensible capacity

WB: wet-bulb temperature

DB: dry-bulb temperature

Indoor Unit size (kW)	Outdoor temperature (□ DB)	Indoor temperature (□ WB/DB)													
		14/20		16/23		18/26		19/27		20/28		22/30		24/32	
		TC	SC	TC	SC	TC	SC	TC	SC	TC	SC	TC	SC	TC	SC
		kW	kW	kW	kW	kW	kW	kW	kW	kW	kW	kW	kW	kW	kW
2.8	10.0	1.9	1.6	2.3	1.8	2.6	1.9	2.8	1.9	3.0	1.9	3.3	2.0	3.7	2.0
	12.0	1.9	1.6	2.3	1.8	2.6	1.9	2.8	1.9	3.0	1.9	3.3	2.0	3.6	2.0
	14.0	1.9	1.6	2.3	1.8	2.6	1.9	2.8	1.9	3.0	1.9	3.3	2.0	3.6	2.0
	16.0	1.9	1.6	2.3	1.8	2.6	1.9	2.8	1.9	3.0	1.9	3.3	2.0	3.5	1.9
	18.0	1.9	1.6	2.3	1.8	2.6	1.9	2.8	1.9	3.0	1.9	3.3	2.0	3.5	1.9
	20.0	1.9	1.6	2.3	1.8	2.6	1.9	2.8	1.9	3.0	1.9	3.3	2.0	3.4	1.9
	21.0	1.9	1.6	2.3	1.8	2.6	1.9	2.8	1.9	3.0	1.9	3.3	2.0	3.4	1.9
	23.0	1.9	1.6	2.3	1.8	2.6	1.9	2.8	1.9	3.0	1.9	3.3	2.0	3.4	1.9
	25.0	1.9	1.6	2.3	1.8	2.6	1.9	2.8	1.9	3.0	1.9	3.2	1.9	3.3	1.9
	27.0	1.9	1.6	2.3	1.8	2.6	1.9	2.8	1.9	3.0	1.9	3.2	1.9	3.3	1.9
	29.0	1.9	1.6	2.3	1.8	2.6	1.9	2.8	1.9	3.0	1.9	3.1	1.8	3.2	1.8
	31.0	1.9	1.6	2.3	1.8	2.6	1.9	2.8	1.9	3.0	1.9	3.1	1.8	3.2	1.7
	33.0	1.9	1.6	2.3	1.8	2.6	1.9	2.8	1.9	3.0	1.9	3.1	1.8	3.1	1.7
	35.0	1.9	1.6	2.3	1.8	2.6	1.9	2.8	1.9	2.9	1.9	3.0	1.8	3.1	1.7
	37.0	1.9	1.6	2.3	1.8	2.6	1.9	2.8	1.9	2.9	1.9	3.0	1.8	3.0	1.7
	39.0	1.9	1.6	2.3	1.8	2.6	1.9	2.8	1.9	2.9	1.9	3.0	1.9	3.0	1.7
	42.0	1.9	1.6	2.3	1.8	2.6	1.9	2.8	1.9	2.9	1.9	3.0	1.9	3.0	1.7
44.0	1.9	1.6	2.3	1.8	2.6	1.9	2.8	1.9	2.9	1.9	3.0	1.9	3.0	1.7	
46.0	1.9	1.6	2.3	1.8	2.6	1.9	2.8	1.9	2.9	1.9	3.0	1.9	3.0	1.7	
3.6	10.0	2.5	1.9	2.9	2.1	3.4	2.3	3.6	2.4	3.8	2.5	4.3	2.4	4.7	2.5
	12.0	2.5	1.9	2.9	2.1	3.4	2.3	3.6	2.4	3.8	2.5	4.3	2.4	4.7	2.5
	14.0	2.5	1.9	2.9	2.1	3.4	2.3	3.6	2.4	3.8	2.5	4.3	2.4	4.6	2.4
	16.0	2.5	1.9	2.9	2.1	3.4	2.3	3.6	2.4	3.8	2.5	4.3	2.4	4.5	2.4
	18.0	2.5	1.9	2.9	2.1	3.4	2.3	3.6	2.4	3.8	2.5	4.3	2.4	4.5	2.4
	20.0	2.5	1.9	2.9	2.1	3.4	2.3	3.6	2.4	3.8	2.5	4.3	2.4	4.4	2.3
	21.0	2.5	1.9	2.9	2.1	3.4	2.3	3.6	2.4	3.8	2.5	4.3	2.4	4.4	2.3
	23.0	2.5	1.9	2.9	2.1	3.4	2.3	3.6	2.4	3.8	2.5	4.1	2.3	4.3	2.2
	25.0	2.5	1.9	2.9	2.1	3.4	2.3	3.6	2.4	3.8	2.5	4.1	2.3	4.2	2.2
	27.0	2.5	1.9	2.9	2.1	3.4	2.3	3.6	2.4	3.8	2.5	4.0	2.2	4.2	2.2
	29.0	2.5	1.9	2.9	2.1	3.4	2.3	3.6	2.4	3.8	2.5	4.0	2.2	4.1	2.2
	31.0	2.5	1.9	2.9	2.1	3.4	2.3	3.6	2.4	3.8	2.5	4.2	2.6	4.1	2.2
	33.0	2.5	1.9	2.9	2.1	3.4	2.3	3.6	2.4	3.8	2.5	4.2	2.6	3.9	2.1
	35.0	2.5	1.9	2.9	2.1	3.4	2.3	3.6	2.4	3.8	2.5	4.2	2.6	3.9	2.1
	37.0	2.5	1.9	2.9	2.1	3.4	2.3	3.6	2.4	3.7	2.4	3.8	2.3	3.9	2.1
	39.0	2.5	1.9	2.9	2.1	3.4	2.3	3.6	2.4	3.7	2.4	3.8	2.3	3.8	2.1
	42.0	2.5	1.9	2.9	2.1	3.4	2.3	3.6	2.4	3.7	2.4	3.8	2.3	3.8	2.1
44.0	2.5	1.9	2.9	2.1	3.4	2.3	3.6	2.4	3.7	2.4	3.8	2.3	3.8	2.1	
46.0	2.5	1.9	2.9	2.1	3.4	2.3	3.6	2.4	3.7	2.4	3.8	2.3	3.8	2.1	
4.5	10.0	3.1	2.4	3.7	2.6	4.2	2.8	4.5	2.9	4.8	3.0	5.3	3.4	5.9	3.0
	12.0	3.1	2.4	3.7	2.6	4.2	2.8	4.5	2.9	4.8	3.0	5.3	3.4	5.9	3.0
	14.0	3.1	2.4	3.7	2.6	4.2	2.8	4.5	2.9	4.8	3.0	5.3	3.4	5.8	3.0
	16.0	3.1	2.4	3.7	2.6	4.2	2.8	4.5	2.9	4.8	3.0	5.3	3.4	5.6	2.9
	18.0	3.1	2.4	3.7	2.6	4.2	2.8	4.5	2.9	4.8	3.0	5.3	3.4	5.7	3.0
	20.0	3.1	2.4	3.7	2.6	4.2	2.8	4.5	2.9	4.8	3.0	5.3	3.4	5.7	3.0
	21.0	3.1	2.4	3.7	2.6	4.2	2.8	4.5	2.9	4.8	3.0	5.3	3.4	5.6	3.0

	23.0	3.1	2.4	3.7	2.6	4.2	2.8	4.5	2.9	4.8	3.0	5.3	3.4	5.5	3.0
	25.0	3.1	2.4	3.7	2.6	4.2	2.8	4.5	2.9	4.8	3.0	5.2	3.0	5.4	2.9
	27.0	3.1	2.4	3.7	2.6	4.2	2.8	4.5	2.9	4.8	3.0	5.1	3.0	5.2	2.8
	29.0	3.1	2.4	3.7	2.6	4.2	2.8	4.5	2.9	4.8	3.0	5.1	2.9	5.2	2.8
	31.0	3.1	2.4	3.7	2.6	4.2	2.8	4.5	2.9	4.8	3.0	5.0	2.9	5.1	2.7
	33.0	3.1	2.4	3.7	2.6	4.2	2.8	4.5	2.9	4.8	3.0	4.9	2.8	5.1	2.7
	35.0	3.1	2.4	3.7	2.6	4.2	2.8	4.5	2.9	4.8	3.0	4.8	2.8	5.0	2.7
	37.0	3.1	2.4	3.7	2.6	4.2	2.8	4.5	2.9	4.8	3.0	4.8	2.9	4.9	2.6
	39.0	3.1	2.4	3.7	2.6	4.2	2.8	4.5	2.9	4.6	2.8	4.7	2.8	4.8	2.6
	42.0	3.1	2.4	3.7	2.6	4.2	2.8	4.5	2.9	4.6	2.8	4.7	2.8	4.8	2.6
	44.0	3.1	2.4	3.7	2.6	4.2	2.8	4.5	2.9	4.6	2.8	4.7	2.8	4.8	2.6
	46.0	3.1	2.4	3.7	2.6	4.2	2.8	4.5	2.9	4.6	2.8	4.7	3.1	4.8	2.6
5.6	10.0	3.9	2.7	4.6	3.0	5.3	3.3	5.6	3.4	5.9	3.5	6.6	3.6	7.3	3.5
	12.0	3.9	2.7	4.6	3.0	5.3	3.3	5.6	3.4	5.9	3.5	6.6	3.6	7.2	3.5
	14.0	3.9	2.7	4.6	3.0	5.3	3.3	5.6	3.4	5.9	3.5	6.6	3.6	7.1	3.5
	16.0	3.9	2.7	4.6	3.0	5.3	3.3	5.6	3.4	5.9	3.5	6.6	3.6	7.0	3.4
	18.0	3.9	2.7	4.6	3.0	5.3	3.3	5.6	3.4	5.9	3.5	6.6	3.6	6.8	3.4
	20.0	3.9	2.7	4.6	3.0	5.3	3.3	5.6	3.4	5.9	3.5	6.6	3.6	6.7	3.3
	21.0	3.9	2.7	4.6	3.0	5.3	3.3	5.6	3.4	5.9	3.5	6.6	3.6	6.6	3.3
	23.0	3.9	2.7	4.6	3.0	5.3	3.3	5.6	3.4	5.9	3.5	6.6	3.6	6.6	3.3
	25.0	3.9	2.7	4.6	3.0	5.3	3.3	5.6	3.4	5.9	3.5	6.6	3.6	6.5	3.2
	27.0	3.9	2.7	4.6	3.0	5.3	3.3	5.6	3.4	5.9	3.5	6.4	3.5	6.4	3.2
	29.0	3.9	2.7	4.6	3.0	5.3	3.3	5.6	3.4	5.9	3.5	6.3	3.5	6.4	3.3
	31.0	3.9	2.7	4.6	3.0	5.3	3.3	5.6	3.4	5.9	3.5	6.2	3.4	6.2	3.2
	33.0	3.9	2.7	4.6	3.0	5.3	3.3	5.6	3.4	5.9	3.5	6.2	3.4	6.2	3.2
	35.0	3.9	2.7	4.6	3.0	5.3	3.3	5.6	3.4	5.9	3.5	6.0	3.3	6.0	3.1
	37.0	3.9	2.7	4.6	3.0	5.3	3.3	5.6	3.4	5.9	3.5	5.9	3.2	6.0	3.1
	39.0	3.9	2.7	4.6	3.0	5.3	3.3	5.6	3.4	5.7	3.4	5.8	3.2	6.0	3.1
42.0	3.9	2.7	4.6	3.0	5.3	3.3	5.6	3.4	5.7	3.4	5.8	3.2	6.0	3.1	
44.0	3.9	2.7	4.6	3.0	5.3	3.3	5.6	3.4	5.7	3.4	5.8	3.2	6.0	3.1	
46.0	3.9	2.7	4.6	3.0	5.3	3.3	5.6	3.4	5.7	3.7	5.8	3.2	6.0	3.1	
7.1	10.0	4.9	3.6	5.8	4.0	6.7	4.3	7.1	4.5	7.5	4.4	8.4	4.5	9.2	4.6
	12.0	4.9	3.6	5.8	4.0	6.7	4.3	7.1	4.5	7.5	4.4	8.4	4.5	9.1	4.5
	14.0	4.9	3.6	5.8	4.0	6.7	4.3	7.1	4.5	7.5	4.4	8.4	4.5	9.0	4.5
	16.0	4.9	3.6	5.8	4.0	6.7	4.3	7.1	4.5	7.5	4.4	8.4	4.5	8.9	4.4
	18.0	4.9	3.6	5.8	4.0	6.7	4.3	7.1	4.5	7.5	4.4	8.4	4.5	8.7	4.3
	20.0	4.9	3.6	5.8	4.0	6.7	4.3	7.1	4.5	7.5	4.4	8.4	4.5	8.5	4.2
	21.0	4.9	3.6	5.8	4.0	6.7	4.3	7.1	4.5	7.5	4.4	8.4	4.5	8.4	4.2
	23.0	4.9	3.6	5.8	4.0	6.7	4.3	7.1	4.5	7.5	4.4	8.4	4.5	8.3	4.1
	25.0	4.9	3.6	5.8	4.0	6.7	4.3	7.1	4.5	7.5	4.4	8.4	4.5	8.2	4.1
	27.0	4.9	3.6	5.8	4.0	6.7	4.3	7.1	4.5	7.5	4.4	8.1	4.3	8.2	4.1
	29.0	4.9	3.6	5.8	4.0	6.7	4.3	7.1	4.5	7.5	4.5	8.0	4.3	8.1	4.1
	31.0	4.9	3.6	5.8	4.0	6.7	4.3	7.1	4.5	7.5	4.5	7.9	4.3	7.8	4.0
	33.0	4.9	3.6	5.8	4.0	6.7	4.3	7.1	4.5	7.5	4.5	7.8	4.2	7.8	4.0
	35.0	4.9	3.6	5.8	4.0	6.7	4.3	7.1	4.5	7.5	4.5	7.6	4.1	7.7	3.9
	37.0	4.9	3.6	5.8	4.0	6.7	4.3	7.1	4.5	7.4	4.4	7.5	4.1	7.6	4.0
	39.0	4.9	3.6	5.8	4.0	6.7	4.3	7.1	4.5	7.2	4.3	7.4	4.1	7.6	4.0
42.0	4.9	3.6	5.8	4.0	6.7	4.3	7.1	4.5	7.2	4.3	7.4	4.1	7.6	4.0	
44.0	4.9	3.6	5.8	4.0	6.7	4.3	7.1	4.5	7.2	4.3	7.4	4.1	7.6	4.0	
46.0	4.9	3.6	5.8	4.0	6.7	4.3	7.1	4.5	7.2	4.3	7.4	4.1	7.6	4.0	

7.2 Heating

TC: total capacity WB: wet-bulb temperature DB: dry-bulb temperature

Indoor Unit size (kW)	Outdoor temperature (□)		Indoor temperature (□ DB)					
			16.00	18.00	20.00	21.00	22.00	24.00
			TC	TC	TC	TC	TC	TC
	WB	DB	kW	kW	kW	kW	kW	kW
2.8	-20	-19.8	1.79	1.79	1.79	1.79	1.79	1.79
	-19	-18.8	1.92	1.92	1.92	1.92	1.92	1.92
	-17	-16.7	2.02	2.02	2.02	2.02	2.02	2.02
	-15	-14.7	2.02	2.02	2.02	2.02	2.02	2.02
	-13.00	-12.60	2.14	2.14	2.14	2.14	2.14	2.14
	-11.00	-10.50	2.24	2.24	2.24	2.24	2.24	2.24
	-10.00	-9.50	2.34	2.34	2.34	2.34	2.34	2.34
	-9.10	-8.50	2.40	2.40	2.40	2.40	2.40	2.40
	-7.60	-7.00	2.43	2.43	2.43	2.43	2.43	2.43
	-5.60	-5.00	2.53	2.53	2.53	2.53	2.53	2.53
	-3.70	-3.00	2.66	2.66	2.66	2.66	2.66	2.66
	-0.70	0.00	2.85	2.85	2.85	2.85	2.85	2.69
	2.20	3.00	3.01	3.01	3.01	3.01	2.94	2.69
	4.10	5.00	3.10	3.10	3.10	3.10	2.94	2.69
	6.00	7.00	3.20	3.20	3.20	3.10	2.94	2.69
	7.90	9.00	3.30	3.30	3.20	3.10	2.94	2.69
9.80	11.00	3.39	3.39	3.20	3.10	2.94	2.69	
11.80	13.00	3.52	3.46	3.20	3.10	2.94	2.69	
13.70	15.00	3.62	3.46	3.20	3.10	2.94	2.69	
3.6	-20	-19.8	2.24	2.24	2.24	2.24	2.24	2.24
	-19	-18.8	2.40	2.40	2.40	2.40	2.40	2.40
	-17	-16.7	2.52	2.52	2.52	2.52	2.52	2.52
	-15	-14.7	2.60	2.60	2.60	2.60	2.60	2.60
	-13.00	-12.60	2.68	2.68	2.68	2.68	2.68	2.68
	-11.00	-10.50	2.80	2.80	2.80	2.80	2.80	2.80
	-10.00	-9.50	2.92	2.92	2.92	2.92	2.92	2.92
	-9.10	-8.50	3.00	3.00	3.00	3.00	3.00	3.00
	-7.60	-7.00	3.04	3.04	3.04	3.04	3.04	3.04
	-5.60	-5.00	3.16	3.16	3.16	3.16	3.16	3.16
	-3.70	-3.00	3.32	3.32	3.32	3.32	3.32	3.32
	-0.70	0.00	3.56	3.56	3.56	3.56	3.56	3.36
	2.20	3.00	3.76	3.76	3.76	3.76	3.68	3.36
	4.10	5.00	3.88	3.88	3.88	3.88	3.68	3.36
	6.00	7.00	4.00	4.00	4.00	3.88	3.68	3.36
	7.90	9.00	4.12	4.12	4.00	3.88	3.68	3.36
9.80	11.00	4.24	4.24	4.00	3.88	3.68	3.36	
11.80	13.00	4.40	4.32	4.00	3.88	3.68	3.36	
13.70	15.00	4.52	4.32	4.00	3.88	3.68	3.36	
4.5	-20	-19.8	2.80	2.80	2.80	2.80	2.80	2.80
	-19	-18.8	3.00	3.00	3.00	3.00	3.00	3.00
	-17	-16.7	3.15	3.15	3.15	3.15	3.15	3.15
	-15	-14.7	3.25	3.25	3.25	3.25	3.25	3.25
	-13.00	-12.60	3.35	3.35	3.35	3.35	3.35	3.35
	-11.00	-10.50	3.50	3.50	3.50	3.50	3.50	3.50
	-10.00	-9.50	3.65	3.65	3.65	3.65	3.65	3.65
	-9.10	-8.50	3.75	3.75	3.75	3.75	3.75	3.75

	-7.60	-7.00	3.80	3.80	3.80	3.80	3.80	3.80
	-5.60	-5.00	3.95	3.95	3.95	3.95	3.95	3.95
	-3.70	-3.00	4.15	4.15	4.15	4.15	4.15	4.15
	-0.70	0.00	4.45	4.45	4.45	4.45	4.45	4.20
	2.20	3.00	4.70	4.70	4.70	4.70	4.60	4.20
	4.10	5.00	4.85	4.85	4.85	4.85	4.60	4.20
	6.00	7.00	5.00	5.00	5.00	4.85	4.60	4.20
	7.90	9.00	5.15	5.15	5.00	4.85	4.60	4.20
	9.80	11.00	5.30	5.30	5.00	4.85	4.60	4.20
	11.80	13.00	5.50	5.40	5.00	4.85	4.60	4.20
	13.70	15.00	5.65	5.40	5.00	4.85	4.60	4.20
5.6	-20	-19.8	3.53	3.53	3.53	3.53	3.53	3.53
	-19	-18.8	3.78	3.78	3.78	3.78	3.78	3.78
	-17	-16.7	3.97	3.97	3.97	3.97	3.97	3.97
	-15	-14.7	4.10	4.10	4.10	4.10	4.10	4.10
	-13.00	-12.60	4.22	4.22	4.22	4.22	4.22	4.22
	-11.00	-10.50	4.41	4.41	4.41	4.41	4.41	4.41
	-10.00	-9.50	4.60	4.60	4.60	4.60	4.60	4.60
	-9.10	-8.50	4.73	4.73	4.73	4.73	4.73	4.73
	-7.60	-7.00	4.79	4.79	4.79	4.79	4.79	4.79
	-5.60	-5.00	4.98	4.98	4.98	4.98	4.98	4.98
	-3.70	-3.00	5.23	5.23	5.23	5.23	5.23	5.23
	-0.70	0.00	5.61	5.61	5.61	5.61	5.61	5.29
	2.20	3.00	5.92	5.92	5.92	5.92	5.80	5.29
	4.10	5.00	6.11	6.11	6.11	6.11	5.80	5.29
	6.00	7.00	6.30	6.30	6.30	6.11	5.80	5.29
	7.90	9.00	6.49	6.49	6.30	6.11	5.80	5.29
	9.80	11.00	6.68	6.68	6.30	6.11	5.80	5.29
	11.80	13.00	6.93	6.80	6.30	6.11	5.80	5.29
	13.70	15.00	7.12	6.80	6.30	6.11	5.80	5.29
7.1	-20	-19.8	4.48	4.48	4.48	4.48	4.48	4.48
	-19	-18.8	4.80	4.80	4.80	4.80	4.80	4.80
	-17	-16.7	5.04	5.04	5.04	5.04	5.04	5.04
	-15	-14.7	5.20	5.20	5.20	5.20	5.20	5.20
	-13.00	-12.60	5.36	5.36	5.36	5.36	5.36	5.36
	-11.00	-10.50	5.60	5.60	5.60	5.60	5.60	5.60
	-10.00	-9.50	5.84	5.84	5.84	5.84	5.84	5.84
	-9.10	-8.50	6.00	6.00	6.00	6.00	6.00	6.00
	-7.60	-7.00	6.08	6.08	6.08	6.08	6.08	6.08
	-5.60	-5.00	6.32	6.32	6.32	6.32	6.32	6.32
	-3.70	-3.00	6.64	6.64	6.64	6.64	6.64	6.64
	-0.70	0.00	7.12	7.12	7.12	7.12	7.12	6.72
	2.20	3.00	7.52	7.52	7.52	7.52	7.36	6.72
	4.10	5.00	7.76	7.76	7.76	7.76	7.36	6.72
	6.00	7.00	8.00	8.00	8.00	7.76	7.36	6.72
	7.90	9.00	8.24	8.24	8.00	7.76	7.36	6.72
	9.80	11.00	8.48	8.48	8.00	7.76	7.36	6.72
	11.80	13.00	8.80	8.64	8.00	7.76	7.36	6.72
	13.70	15.00	9.04	8.64	8.00	7.76	7.36	6.72

## 8. Electric Characteristics

Model	Indoor Unit				Power Supply		IFM	
	Hz	Voltage	Min.	Max.	MCA	MFA	KW	FLA
MVN28A-VA1	50	220-240V	198V	254V	0.2675	5	0.020	0.214
MVN36A-VA1	50	220-240V	198V	254V	0.2675	5	0.020	0.214
MVN45A-VA1	50	220-240V	198V	254V	0.5025	5	0.055	0.402
MVN56A-VA1	50	220-240V	198V	254V	0.5025	5	0.055	0.402
MVN71A-VA1	50	220-240V	198V	254V	0.5025	5	0.055	0.402

**Remark:**

MCA: Min. Current Amps. (A)

MFA: Max. Fuse Amps. (A)

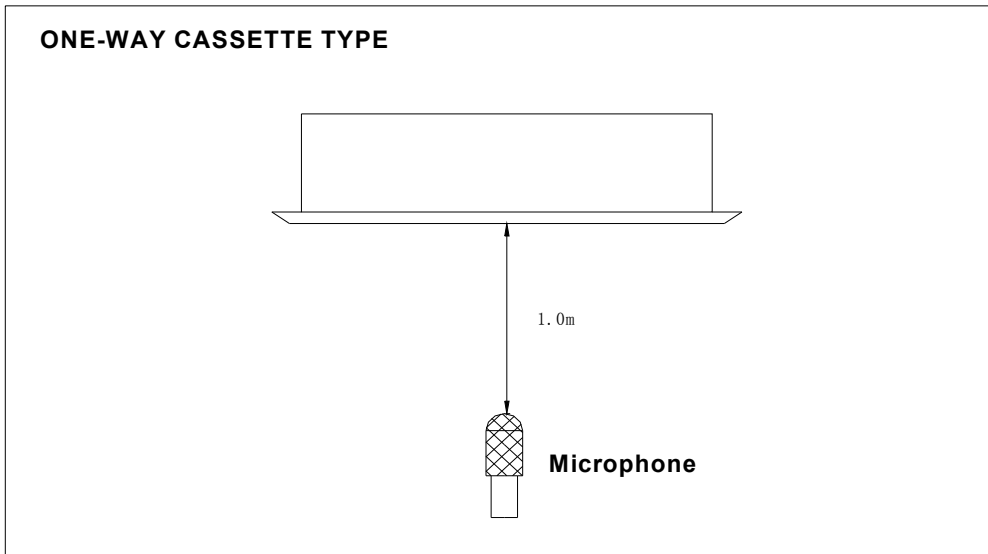
KW: Fan Motor Rated Output (kW)

FLA: Full Load Amps. (A)

IFM: Indoor Fan Motor

## 9. Sound Levels

### 9.1 Test condition



### 9.2 Test value

Model	Noise test value dB(A)		
	Hi	Mid	Low
MVN28A-VA1	36	34	30
MVN36A-VA1	36	34	30
MVN45A-VA1	36	34	30
MVN56A-VA1	41	38	35
MVN71A-VA1	41	38	35

